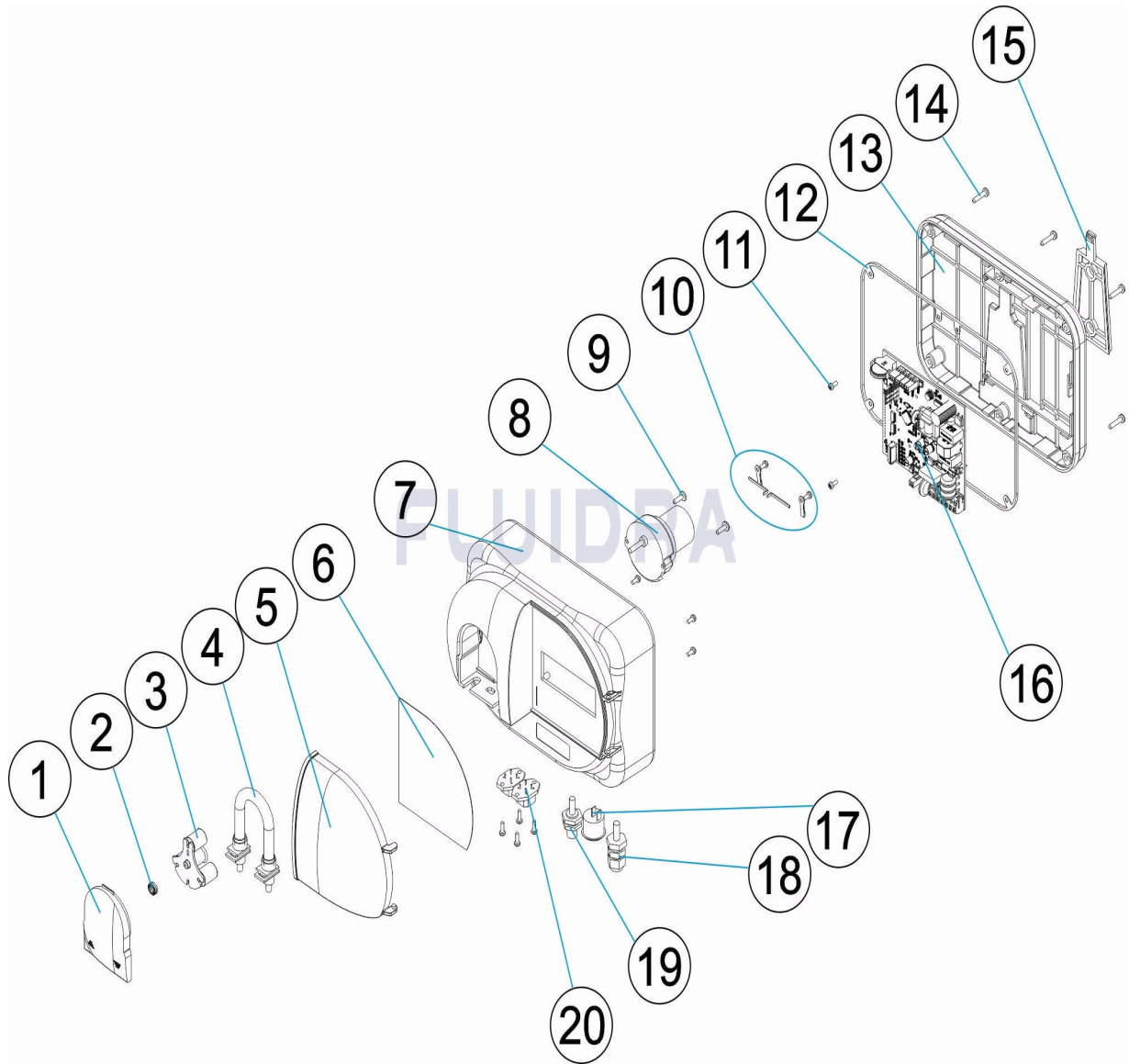


CODIGO **S64AM0106G01**

DESCRIPCION: **MAXI UP**

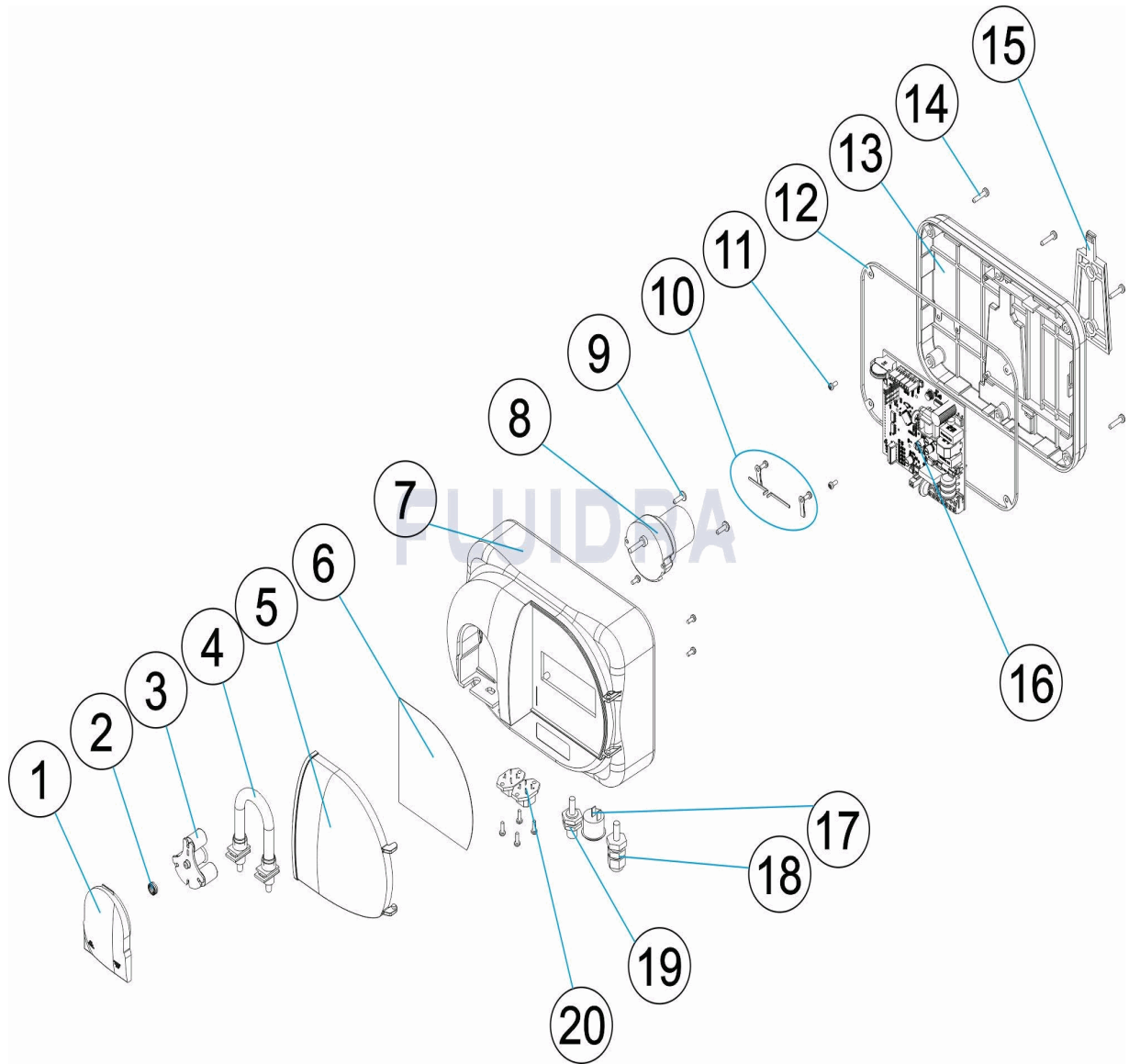


**ESPAÑOL**

POS	CODIGO	DESCRIPCION	CANTIDAD	POS	CODIGO	DESCRIPCION	CANTIDAD
1	00.010.324	CUBIERTA DE CABEZAL PERISTALTICA TR	1	11	00.030.005	TORNILLO TC+ 2,9X6,5	6
2	00.051.010	RODAMIENTO	1	12	00.027.047	JUNTA	1
3	11.010.426	PORTA RODILLOS MP2-HT 3 RULLI Ø13.6 C	1	13	00.010.208	CUBIERTA	1
4	RR.005.003	TUBO PERISTALTICO COMPLETO	1	14	00.030.024	TORNILLO TC+ 3,5X16	6
5	00.010.325	CUBIERTA	1	15	11.100.018	SOPORTE DE BOMBA	1
6	11.006.206	TECLADO DE MEMBRANA	1	16	RR.001.650	CIRCUITO MAXI UP	1
7	00.011.142	CAJA	1	17	00.050.020	INTERRUPTOR 250V 6A	1
8	11.002.663	MOTOR 24VDC	1	18	11.050.024	PRENSAESTOPAS + TUERCA M12X1.5	1
9	00.030.030	TORNILLO TC+ 3,5X12	2	19	11.050.021	BNC	1
10	00.003.828	KIT DE ROTURA DE TUBO	1	20	11.050.006	CONECTOR DE NIVEL	2

CODE S64AM0106G01

DESCRIPTION: MAXI UP

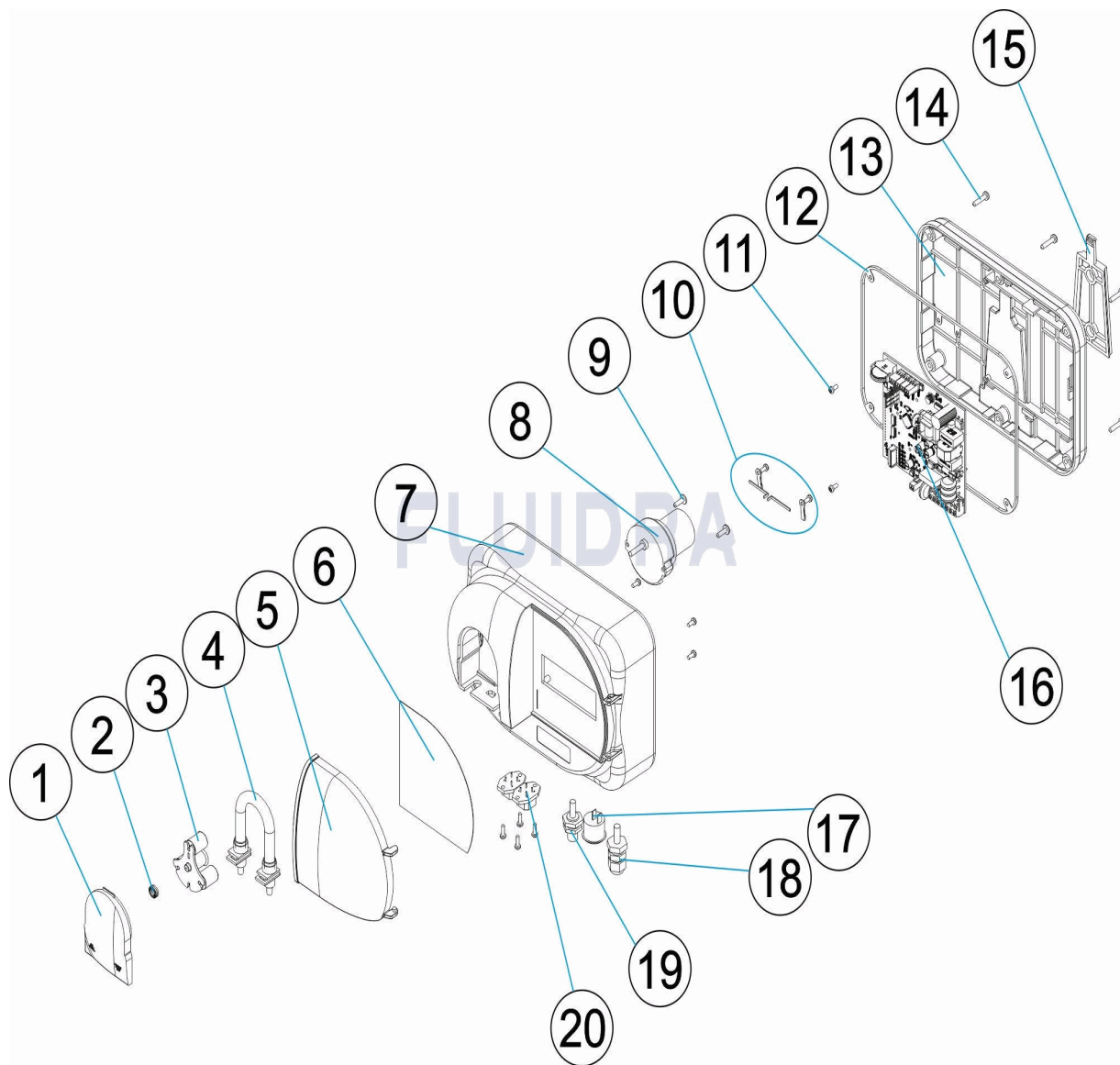


FRANCAIS

POS	CODE	DESCRIPTION	QUANTITE	POS	CODE	DESCRIPTION	QUANTITE
1	00.010.324	COUVERCLE TRANSPARENT DE TÊTE PÉF	1	11	00.030.005	VIS TC+ 2,9X6,5	6
2	00.051.010	ROULEMENT	1	12	00.027.047	JOINT DE COUVERCLE	1
3	11.010.426	PORTE-GALETTS MP2-HT 3 RULLI Ø13,6 CC	1	13	00.010.208	COUVERCLE	1
4	RR.005.003	TUYAU PÉRISTALTIQUE COMPLÈT	1	14	00.030.024	VIS TC+ 3,5X16	6
5	00.010.325	CACHE	1	15	11.100.018	SUPPORT DE POMPE	1
6	11.006.206	CLAVIER À MEMBRANE	1	16	RR.001.650	CIRCUIT MAXI UP	1
7	00.011.142	BOÎTIER	1	17	00.050.020	INTERRUPTEUR À BASCULE 250V 6A ON-O	1
8	11.002.663	MOTEUR 24 VDC	1	18	11.050.024	PRESSE-ETOUPE + ECROU M12X1.5	1
9	00.030.030	VIS TC+ 3,5X12	2	19	11.050.021	BNC	1
10	00.003.828	KIT DE RUPTURE TUYAU	1	20	11.050.006	CONNECTEUR CAPTEUR DE NIVEAU	2

CODE **S64AM0106G01**

DESCRIPTION: **MAXI UP**

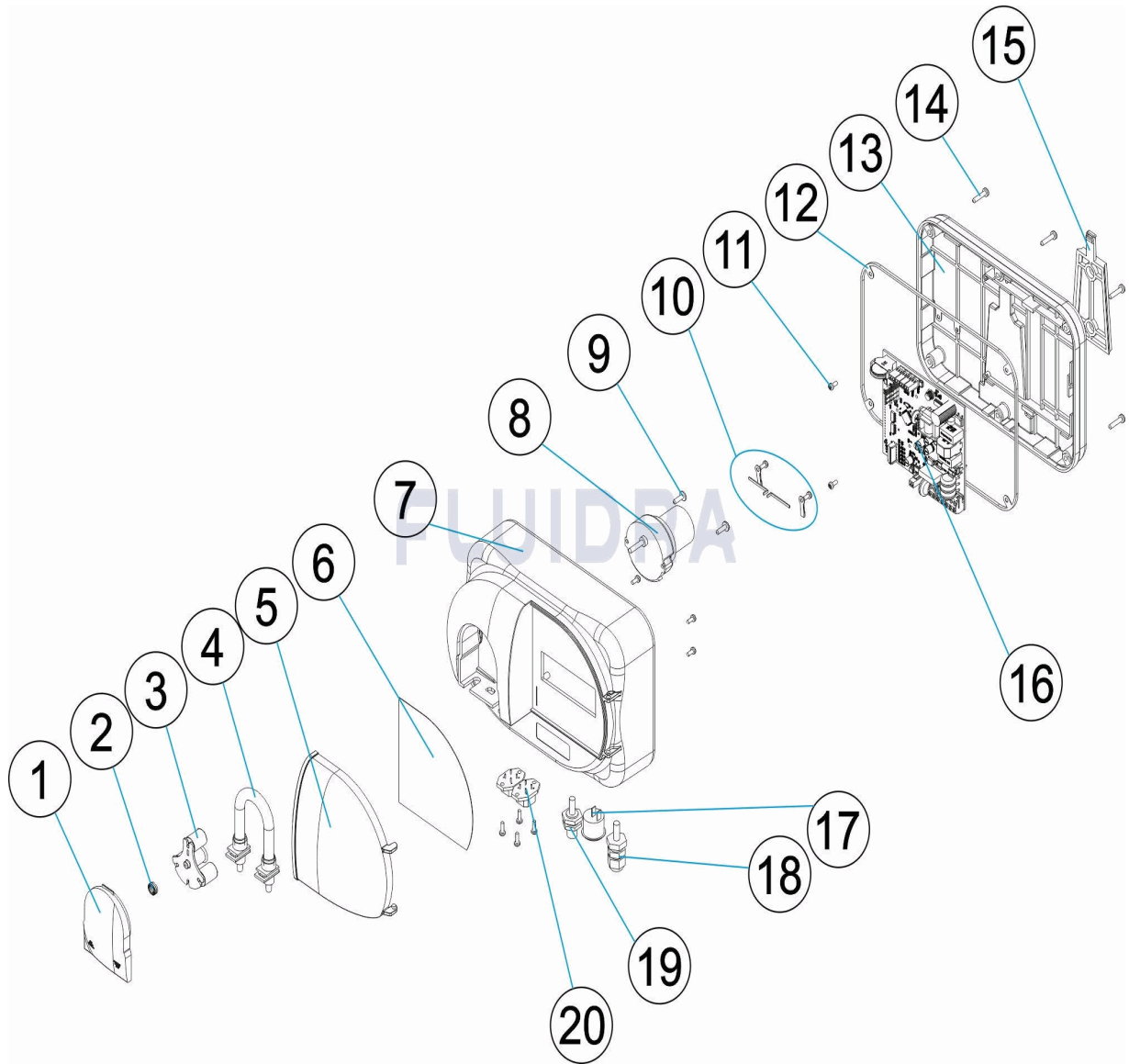


**ENGLISH**

POS	CODE	DESCRIPTION	QUANTITY	POS	CODE	DESCRIPTION	QUANTITY
1	00.010.324	TRANSPARENT PERISTALTIC HEAD COVEI	1	11	00.030.005	2,9X6,5 TC+ SCREW	6
2	00.051.010	BEARING	1	12	00.027.047	GASKET	1
3	11.010.426	ROLLER HOLDER MP2-HT 3 RULLI Ø13,6 C	1	13	00.010.208	COVER	1
4	RR.005.003	COMPLETE PERISTALTIC HOSE	1	14	00.030.024	3,5X16 TC+ SCREW	6
5	00.010.325	COVER	1	15	11.100.018	PUMP'S BRACKET	1
6	11.006.206	MEMBRANE KEYBOARD	1	16	RR.001.650	CIRCUIT MAXI UP	1
7	00.011.142	BOX	1	17	00.050.020	SWITCH 250V 6A	1
8	11.002.663	MOTOR 24VDC	1	18	11.050.024	CABLE GLAND + NUT M12X1.5	1
9	00.030.030	3,5X12 TC+ SCREW	2	19	11.050.021	BNC	1
10	00.003.828	HOSE BREAK KIT	1	20	11.050.006	LEVEL BASE CONNECTOR	2

CODICE **S64AM0106G01**

DESCRIZIONE: **MAXI UP**

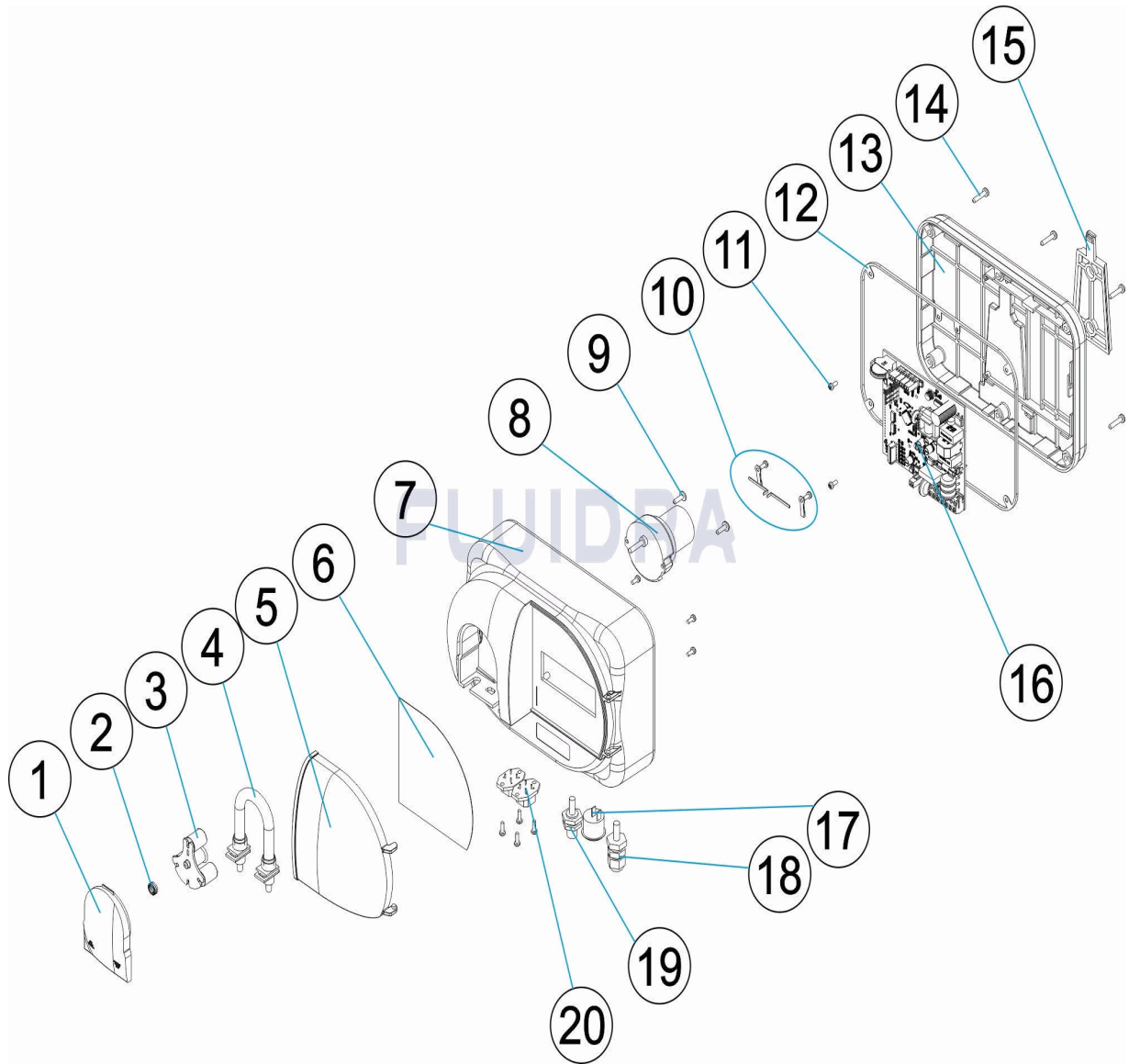


**ITALIANO**

POS	CODICE	DESCRIZIONE	QUANTITA'	POS	CODICE	DESCRIZIONE	QUANTITA'
1	00.010.324	COPERTURA TESTA PERISTALTICA TRASP	1	11	00.030.005	VITE TC+ 2,9X6,5	6
2	00.051.010	CUSCINETTO	1	12	00.027.047	GUARNIZIONE	1
3	11.010.426	PORTA RULLI MP2-HT 3 RULLI Ø13.6 COMF	1	13	00.010.208	COPERCHIO	1
4	RR.005.003	TUBO PERISTALTICA COMPLETO	1	14	00.030.024	VITE TC+ 3,5X16	6
5	00.010.325	COVER	1	15	11.100.018	SUPPORTO POMPA	1
6	11.006.206	TASTIERA A MEMBRANA	1	16	RR.001.650	CIRCUITO MAXI UP	1
7	00.011.142	CASSA	1	17	00.050.020	INTERRUTTORE 250V 6A	1
8	11.002.663	MOTORE 24VDC	1	18	11.050.024	PRENSACAPO + GHIERA M12X1.5	1
9	00.030.030	VITE TC+ 3,5 X12	2	19	11.050.021	BNC	1
10	00.003.828	KIT ROTTURA TUBO	1	20	11.050.006	BASE CONNETTORE LIVELLO	2

CODE **S64AM0106G01**

BESCHREIBUNG: **MAXI UP**

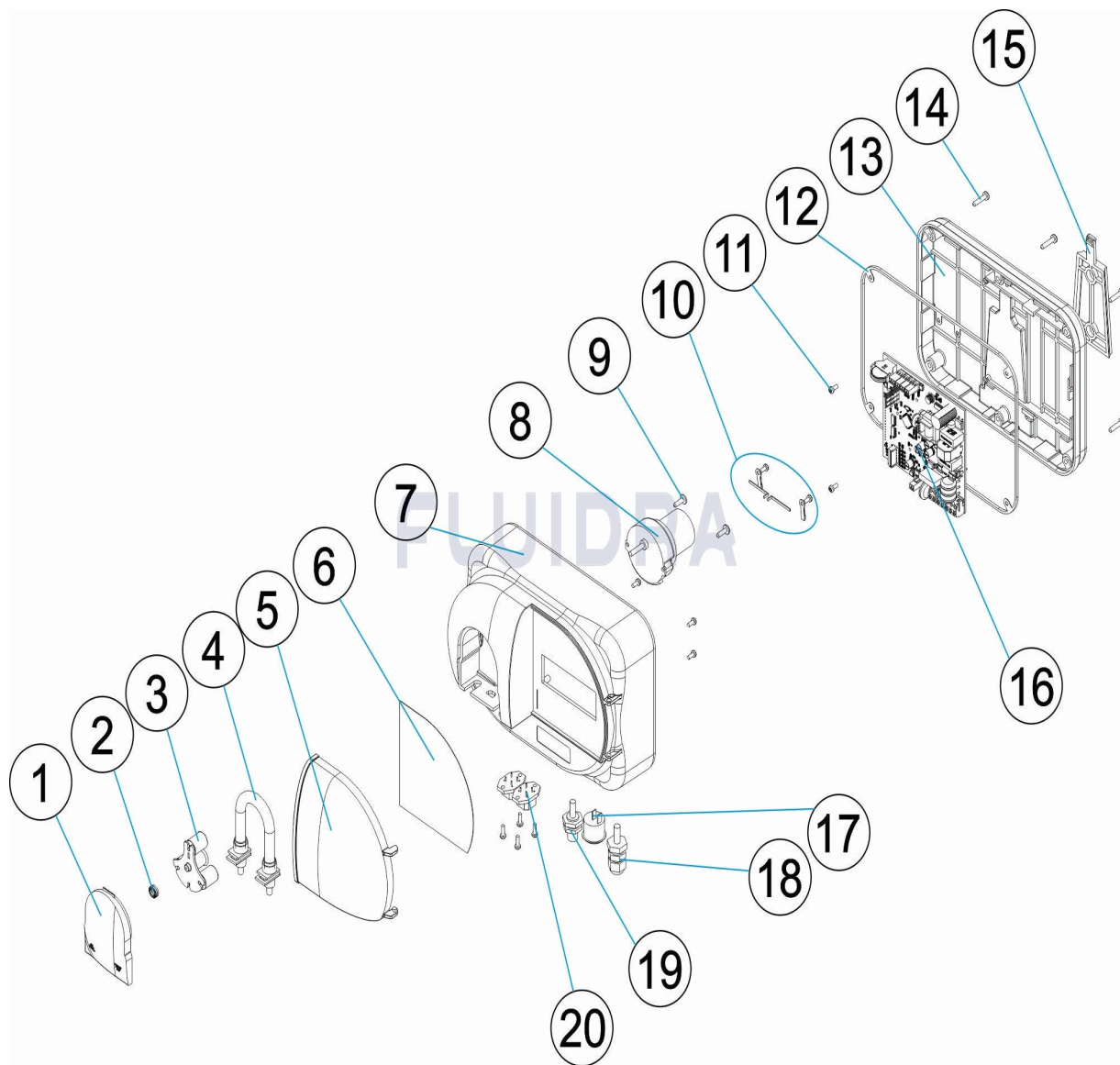


**DEUTSCH**

POS	CODE	BESCHREIBUNG	MENGE	POS	CODE	BESCHREIBUNG	MENGE
1	00.010.324	TRANSPARENTER PERISTALTISCHE KOPFA	1	11	00.030.005	SCHRAUBEN 2,9X6,5	6
2	00.051.010	KUGELLAGER	1	12	00.027.047	JOINT	1
3	11.010.426	ROLLENHALTER MP2-HT 3 RULLI Ø13,6 KC	1	13	00.010.208	ABDECKUNG	1
4	RR.005.003	PERISTALTISCHER SCHLAUCH	1	14	00.030.024	SCHRAUBE TC+ 3,5X16	6
5	00.010.325	ABDECKUNG	1	15	11.100.018	PUMPENUNTERSTÜTZUNG	1
6	11.006.206	MEMBRANENTASTATUR	1	16	RR.001.650	SCHALTKREIS MAXI UP	1
7	00.011.142	KASTEN	1	17	00.050.020	SCHALTER 250V 6A	1
8	11.002.663	MOTOR 24VDC	1	18	11.050.024	KABELVERSCHRAUBUNG + MUTTER M12X	1
9	00.030.030	SCHRAUBE TC+ 3,5X12	2	19	11.050.021	BNC	1
10	00.003.828	ROHRBRUCHSET	1	20	11.050.006	LEVEL-ANSCHLUSS	2

CODIGO **S64AM0106G01**

DESCRIÇÃO: **MAXI UP**



**PORTUGUES**

POS	CODIGO	DESCRIÇÃO	JANTIDADE	POS	CODIGO	DESCRIÇÃO	JANTIDADE
1	00.010.324	CAPA DE CABEÇA PERISTÁLTICA TRANSP,	1	11	00.030.005	PARAFUSO 2,9X6,5	6
2	00.051.010	ROLAMENTO	1	12	00.027.047	JUNTA	1
3	11.010.426	SUPORTE DE ROLO MP2-HT 3 RULLI Ø13.€	1	13	00.010.208	TAMPA	1
4	RR.005.003	TUBO PERISTÁLTICO	1	14	00.030.024	PARAFUSO TC+ 3,5X16	6
5	00.010.325	TAMPA	1	15	11.100.018	SUPORTE DE BOMBA	1
6	11.006.206	TECLADO DE MEMBRANA	1	16	RR.001.650	CIRCUITO MAXI UP	1
7	00.011.142	CAIXA	1	17	00.050.020	CHAVE 250V 6A	1
8	11.002.663	MOTOR 24VDC	1	18	11.050.024	GLÂNDULA DE CABO + PORCA M12X1.5	1
9	00.030.030	PARAFUSO TC+ 3,5X12	2	19	11.050.021	BNC	1
10	00.003.828	KIT DE QUEBRA DE TUBO	1	20	11.050.006	CONECTOR DE NÍVEL	2