

# DESPIECE

REV.: 0

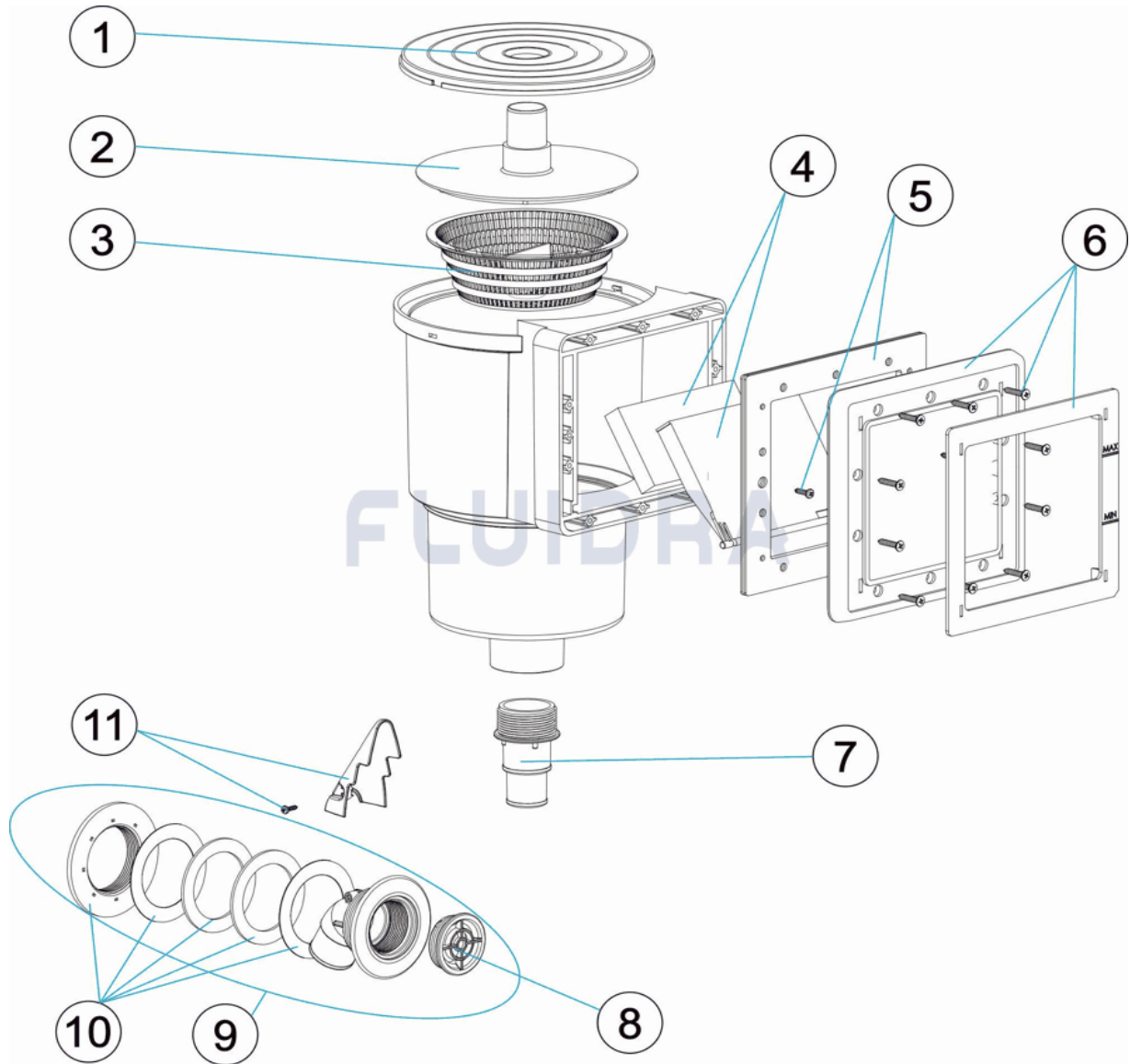
1611

FECHA: 21/10/2021

HOJA: 1/6

CODIGO **20889AFP10**

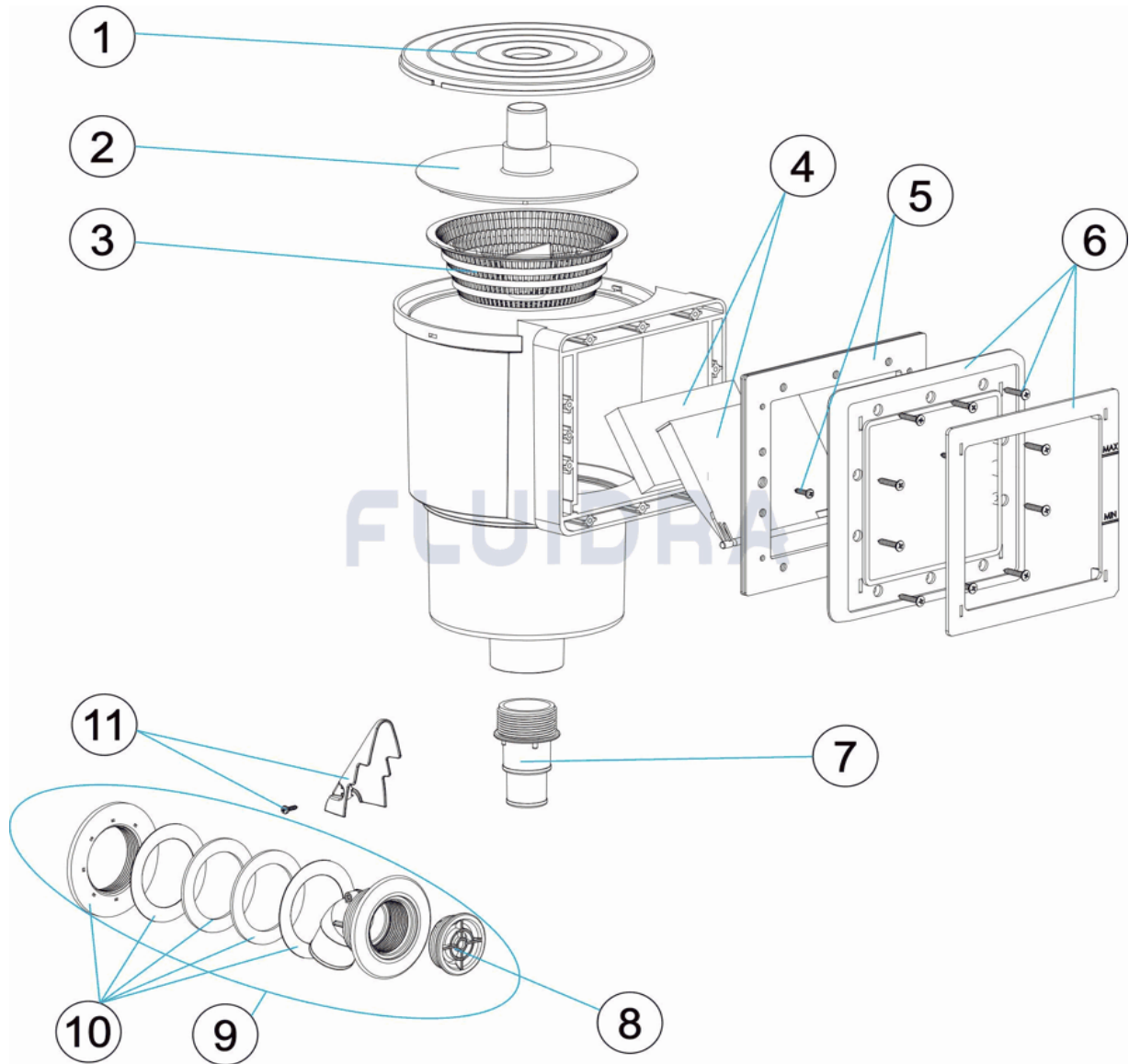
DESCRIPCION: **SKIMMER PISCINA ELEVADA**



**ESPAÑOL**

POS	CODIGO	DESCRIPCION	CANTIDAD	POS	CODIGO	DESCRIPCION	CANTIDAD
1	4402011504	TAPA SKIMMER PISCINA ELEVADA		7	4402011507	MANGUITO SKIMMER PISCINA ELEVADA	
2	4402011503	TAPA CESTO PISCINA ELEVADA		8	4402040029	TUERCA CON REJA	
3	4402011502	CESTO SKIMMER PISCINA ELEVADA		9	4402010222	BOQUILLA SKIMMER	
4	4402011501	COMPUERTA SKIMMER PISCINA ELEVADA		10	4402040023	TUERCA FIJACIÓN CON JUNTAS	
5	4402011505	JUNTAS MARCO PISCINA ELEVADA		11	4402010223	PROTECTOR	
6	4402011506	TAPA Y MARCO PISCINA ELEVADA					

CODE **20889AFP10**

 DESCRIPTION: **SKIMMER PISCINE HORS SOL**

**FRANCAIS**

POS	CODE	DESCRIPTION	QUANTITE	POS	CODE	DESCRIPTION	QUANTITE
1	4402011504	COUVERCLE SKIMMER PISCINE HORS SO		7	4402011507	MANCHON SKIMMER PISCINE HORS SOL	
2	4402011503	COUVERCLE PANIER DE SKIMMER		8	4402040029	ECROU GRILLE	
3	4402011502	PANIER SKIMMER PISCINE HORS SOL		9	4402010222	BOUCHE SKIMMER	
4	4402011501	VOLET DE SKIMMER PISCINE HORS SOL		10	4402040023	ECROU DE FIXATION AVEC JOINT	
5	4402011505	JOINTS BOUCHE SKIMMER PISCINE HORS		11	4402010223	PROTECTEUR	
6	4402011506	CADRE BOUCHE SKIMMER PISCINE HORS					

# PARTS BREAKDOWN

REV.: 0

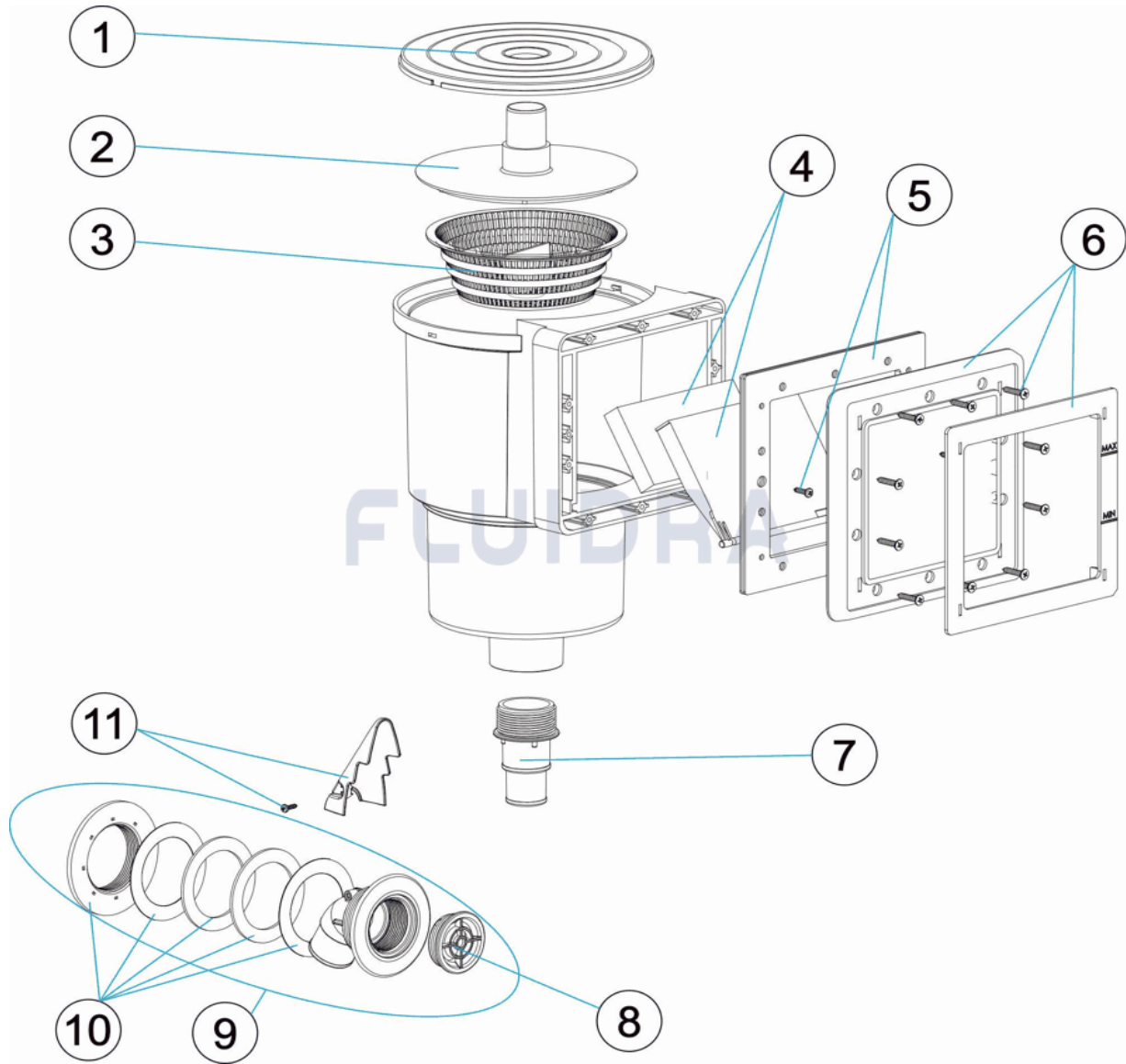
1611

DATE: 21/10/2021

SHEET: 3/6

CODE 20889AFP10

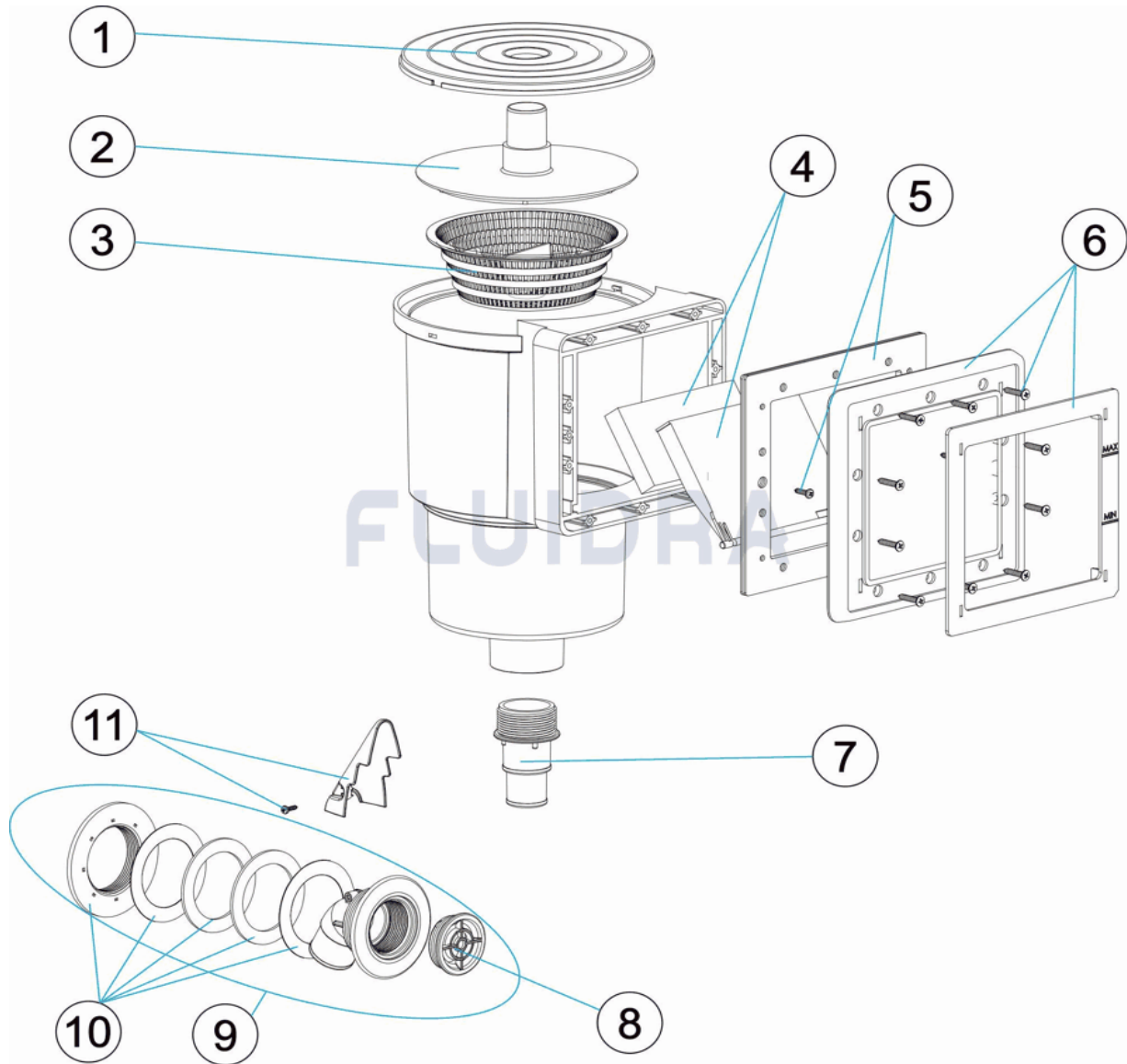
DESCRIPTION: SKIMMER ABOVE-GROUND POOL



**ENGLISH**

POS	CODE	DESCRIPTION	QUANTITY	POS	CODE	DESCRIPTION	QUANTITY
1	4402011504	SKIMMER LID FOR ABOVE GROUND POOL		7	4402011507	SKIMMER CONNECTOR FOR ABOVE GROU	
2	4402011503	BASKET LID FOR ABOVE GROUND POOL		8	4402040029	NUT GRILLE	
3	4402011502	SKIMMER BASKET FOR ABOVE GROUND F		9	4402010222	SKIMMER NOZZLE	
4	4402011501	SKIMMER FLAP FOR ABOVE GROUND POC		10	4402040023	FIXING NUT AND GASKET	
5	4402011505	FRAME GASKET FOR ABOVE GROUND PO		11	4402010223	PROTECTOR	
6	4402011506	FRAME & FRAME COVER FOR ABOVE GRC					

CODICE **20889AFP10**

 DESCRIZIONE: **SKIMMER PISCINA ELEVATA**

**ITALIANO**

POS	CODICE	DESCRIZIONE	QUANTITA'	POS	CODICE	DESCRIZIONE	QUANTITA'
1	4402011504	COUVERCLE SKIMMER PISCINE HORS SO	7	4402011507	MANICOTTO SKIMMER PISCINA FUORI TER		
2	4402011503	COPERCHIO CESTELLO PISCINA FUORI TI	8	4402040029	DADO GRIGLIA		
3	4402011502	CESTELLO SKIMMER PISCINA FUORI TER	9	4402010222	BOCCHETTA SKIMMER		
4	4402011501	BATTENTE SKIMMER PISCINA FUORI TER	10	4402040023	GHIERA FISSAGGIO CON GUARNIZIONE		
5	4402011505	GUARNIZIONE PER CORNICE PISCINA FU	11	4402010223	PROTETTIVO		
6	4402011506	COPERCHIO E FLANGIA PISCINA FUORI TI					

# EINZELTEILE

ÜBER.: 0

1611

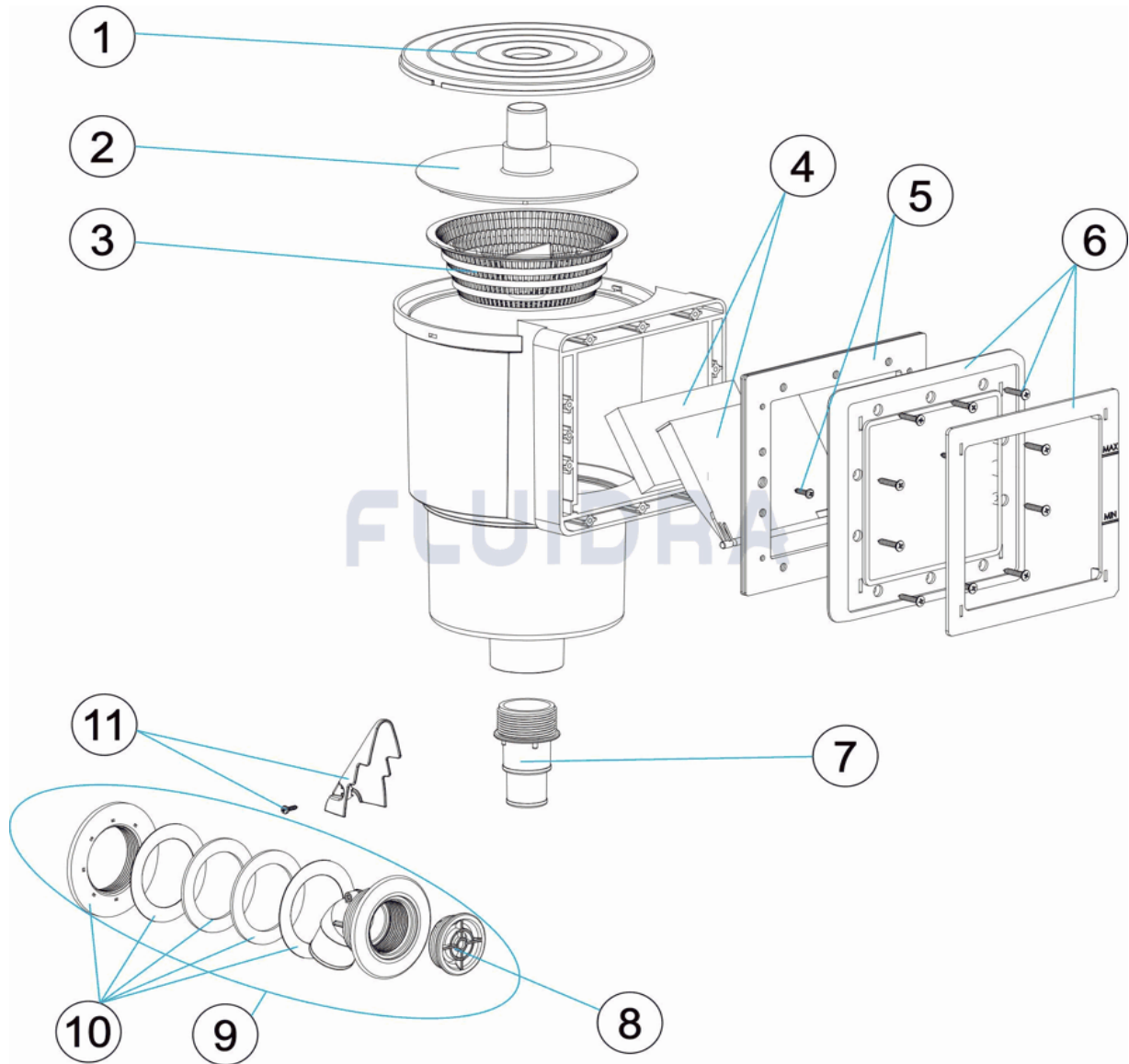
DATUM: 21/10/2021

BLATT: 5/6

CODE

20889AFP10

BESCHREIBUNG: SKIMMER AUFSTELLBECKEN

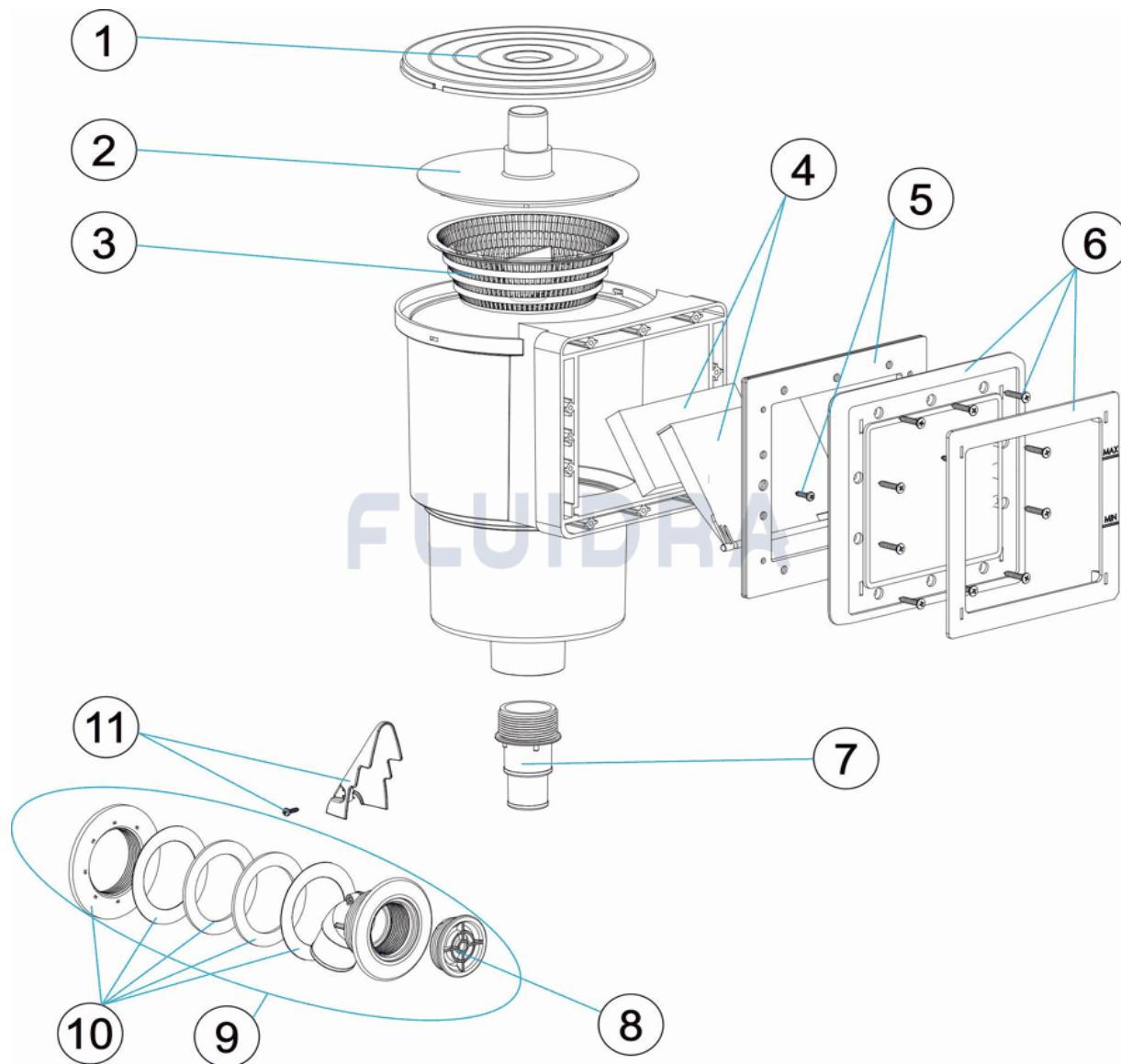


DEUTSCH

POS	CODE	BESCHREIBUNG	MENGE	POS	CODE	BESCHREIBUNG	MENGE
1	4402011504	SKIMMERABDECKUNG AUFSTELLBECKEN	7	4402011507	NIPPEL SKIMMER AUFSTELLBECKEN		
2	4402011503	ABDECKUNG KORB AUFSTELLBECKEN	8	4402040029	MUTTER MIT GITTER		
3	4402011502	SKIMMERKORB AUFSTELLBECKEN	9	4402010222	SKIMMERDÜSE		
4	4402011501	SKIMMERKLAPPE AUFSTELLBECKEN	10	4402040023	FIXIERMUTTER UND DICHTUNGEN		
5	4402011505	DICHTUNGEN RAHMEN AUFSTELLBECKEN	11	4402010223	SCHÜTZER		
6	4402011506	ABDECKUNG UND RAHMEN AUFSTELLBECKEN					

CODIGO 20889AFP10

DESCRICAÇÃO: SKIMMER PISCINA ELEVADA



## PORTUGUES

POS	CODIGO	DESCRICAÇÃO	JANTIDADE	POS	CODIGO	DESCRICAÇÃO	JANTIDADE
1	4402011504	TAMPA SKIMMER PISCINA ELEVADA		7	4402011507	RACORD SKIMMER PISCINA ELEVADA	
2	4402011503	TAMPA CESTO PISCINA ELEVADA		8	4402040029	PORCA REIXA	
3	4402011502	CESTO SKIMMER PISCINA ELEVADA		9	4402010222	BOQUILHA SKIMMER	
4	4402011501	COMPORTA SKIMMER PISCINA ELEVADA		10	4402040023	PORCA FIXAÇÃO COM JUNTAS	
5	4402011505	JUNTAS MARCO PISCINA ELEVADA		11	4402010223	PROTETOR	
6	4402011506	TAMPA E MARCO PISCINA ELEVADA					