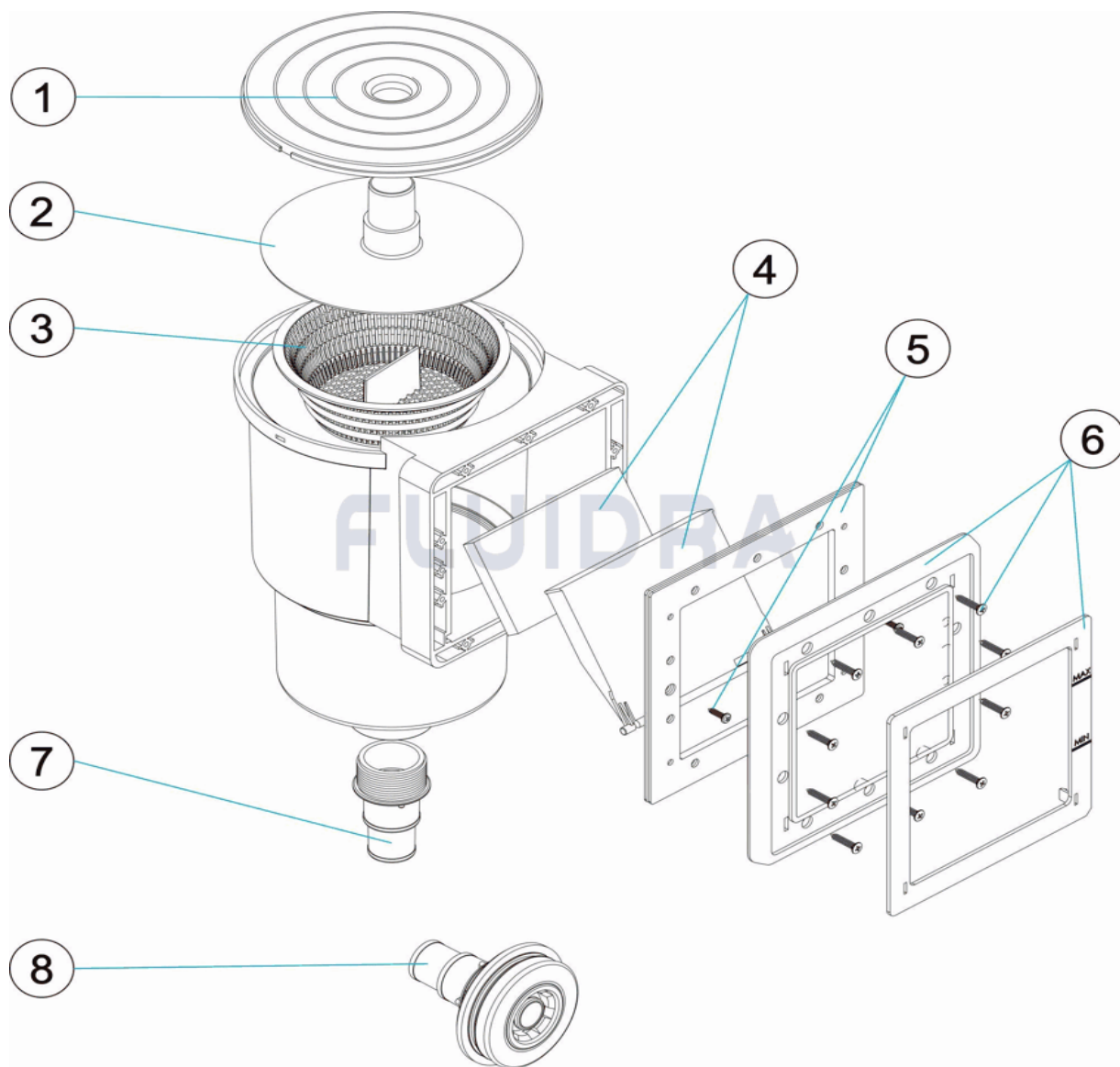


CODIGO **09297**

DESCRIPCION: **SKIMMER PISCINA ELEVADA**

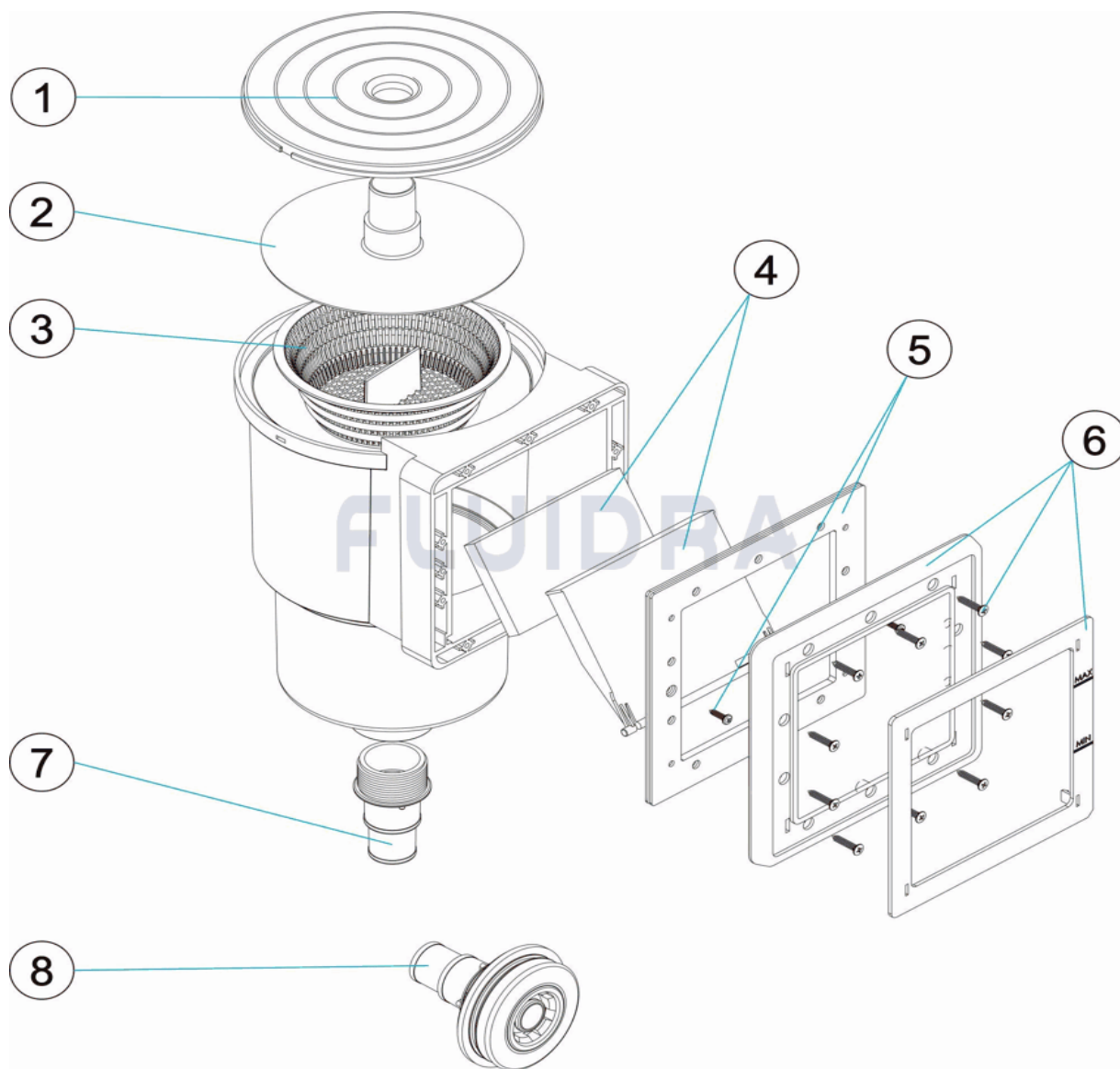


ESPAÑOL

POS	CODIGO	DESCRIPCION	CANTIDAD	POS	CODIGO	DESCRIPCION	CANTIDAD
1	4402011504	TAPA SKIMMER PISCINA ELEVADA	5	4402011505	JUNTAS MARCO PISCINA ELEVADA		
2	4402011503	TAPA CESTO PISCINA ELEVADA	6	4402011506	TAPA Y MARCO PISCINA ELEVADA		
3	4402011502	CESTO SKIMMER PISCINA ELEVADA	7	4402011507	MANGUITO SKIMMER PISCINA ELEVADA		
4	4402011501	COMPUERTA SKIMMER PISCINA ELEVADA	8	06501	BOQUILLA PISCINA ELEVADA		

CODE 09297

DESCRIPTION: SKIMMER PISCINE HORS SOL

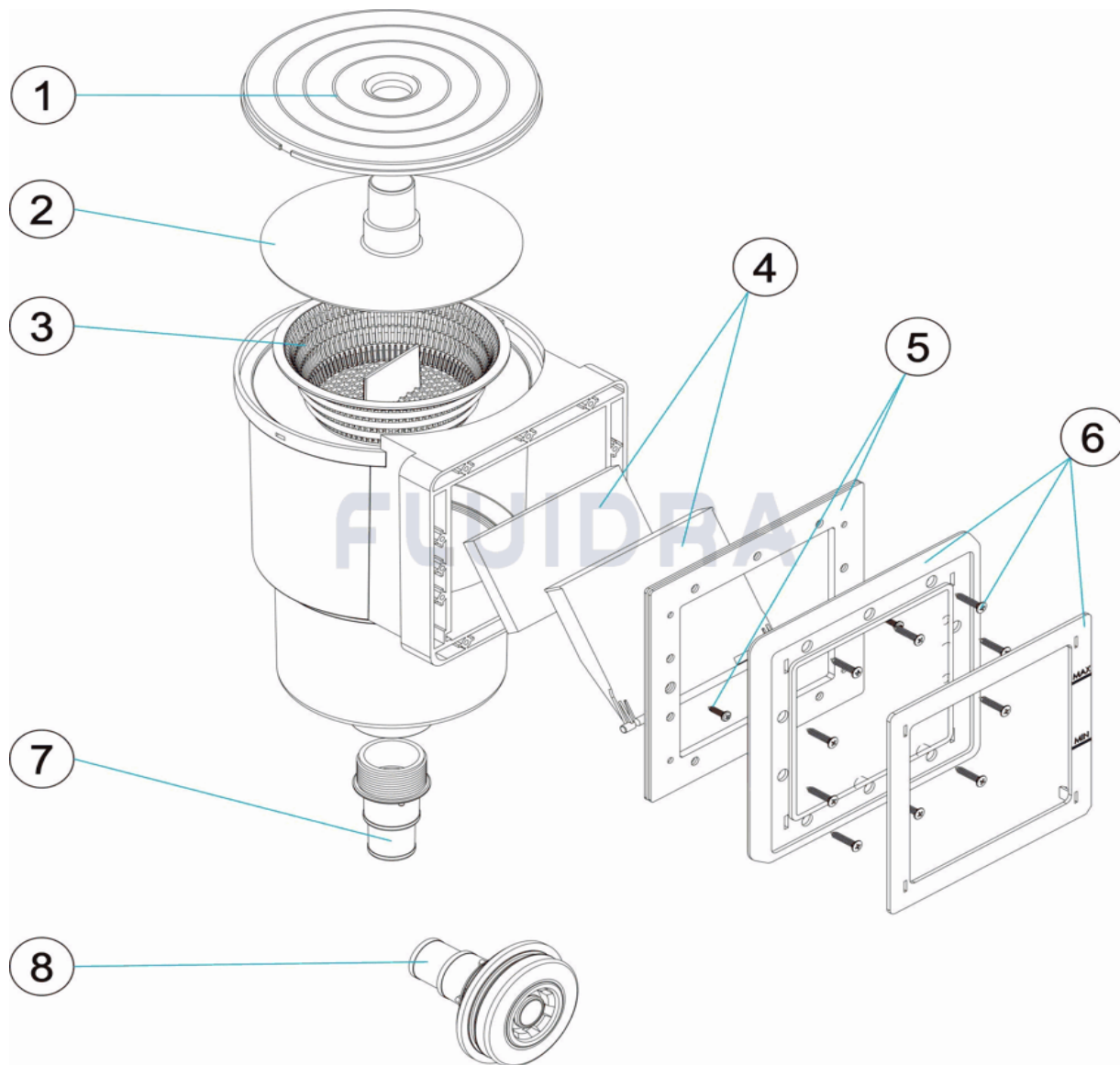


FRANCAIS

POS	CODE	DESCRIPTION	QUANTITE	POS	CODE	DESCRIPTION	QUANTITE
1	4402011504	COUVERCLE SKIMMER PISCINE HORS SO	5	4402011505	JOINTS BOUCHE SKIMMER PISCINE HORS		
2	4402011503	COUVERCLE PANIER DE SKIMMER	6	4402011506	CADRE BOUCHE SKIMMER PISCINE HORS		
3	4402011502	PANIER SKIMMER PISCINE HORS SOL	7	4402011507	MANCHON SKIMMER PISCINE HORS SOL		
4	4402011501	VOLET DE SKIMMER PISCINE HORS SOL	8	06501	BUSE PISCINE HORS-SOL		

CODE **09297**

DESCRIPTION: **SKIMMER ABOVE-GROUND POOL**

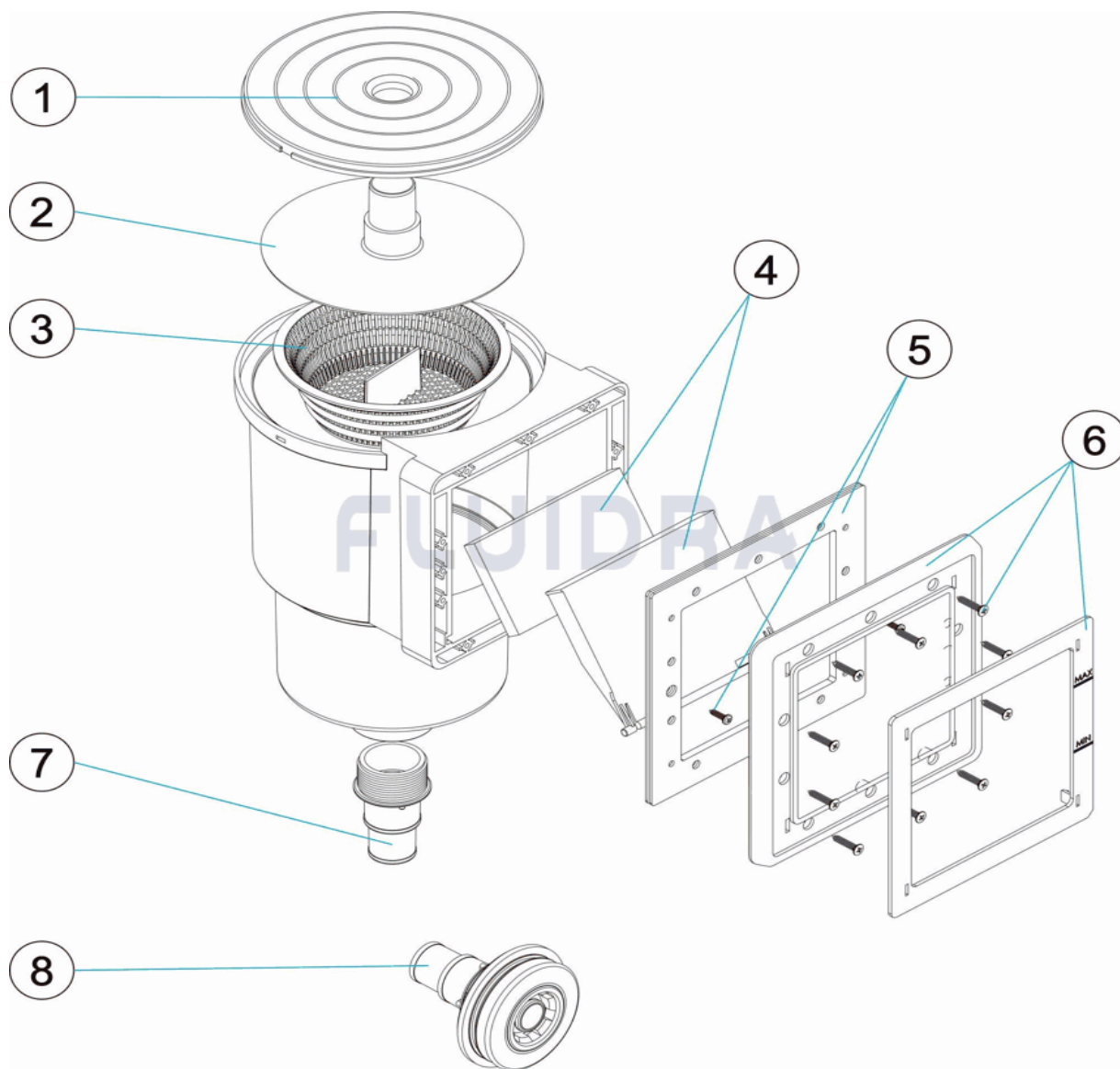


ENGLISH

POS	CODE	DESCRIPTION	QUANTITY	POS	CODE	DESCRIPTION	QUANTITY
1	4402011504	SKIMMER LID FOR ABOVE GROUND POOL	5	4402011505	FRAME GASKET FOR ABOVE GROUND POOL		
2	4402011503	BASKET LID FOR ABOVE GROUND POOL	6	4402011506	FRAME & FRAME COVER FOR ABOVE GRO		
3	4402011502	SKIMMER BASKET FOR ABOVE GROUND F	7	4402011507	SKIMMER CONNECTOR FOR ABOVE GROU		
4	4402011501	SKIMMER FLAP FOR ABOVE GROUND POC	8	06501	NOZZLE ABOVE-GROUND POOL		

CODICE **09297**

DESCRIZIONE: **SKIMMER PISCINA ELEVATA**

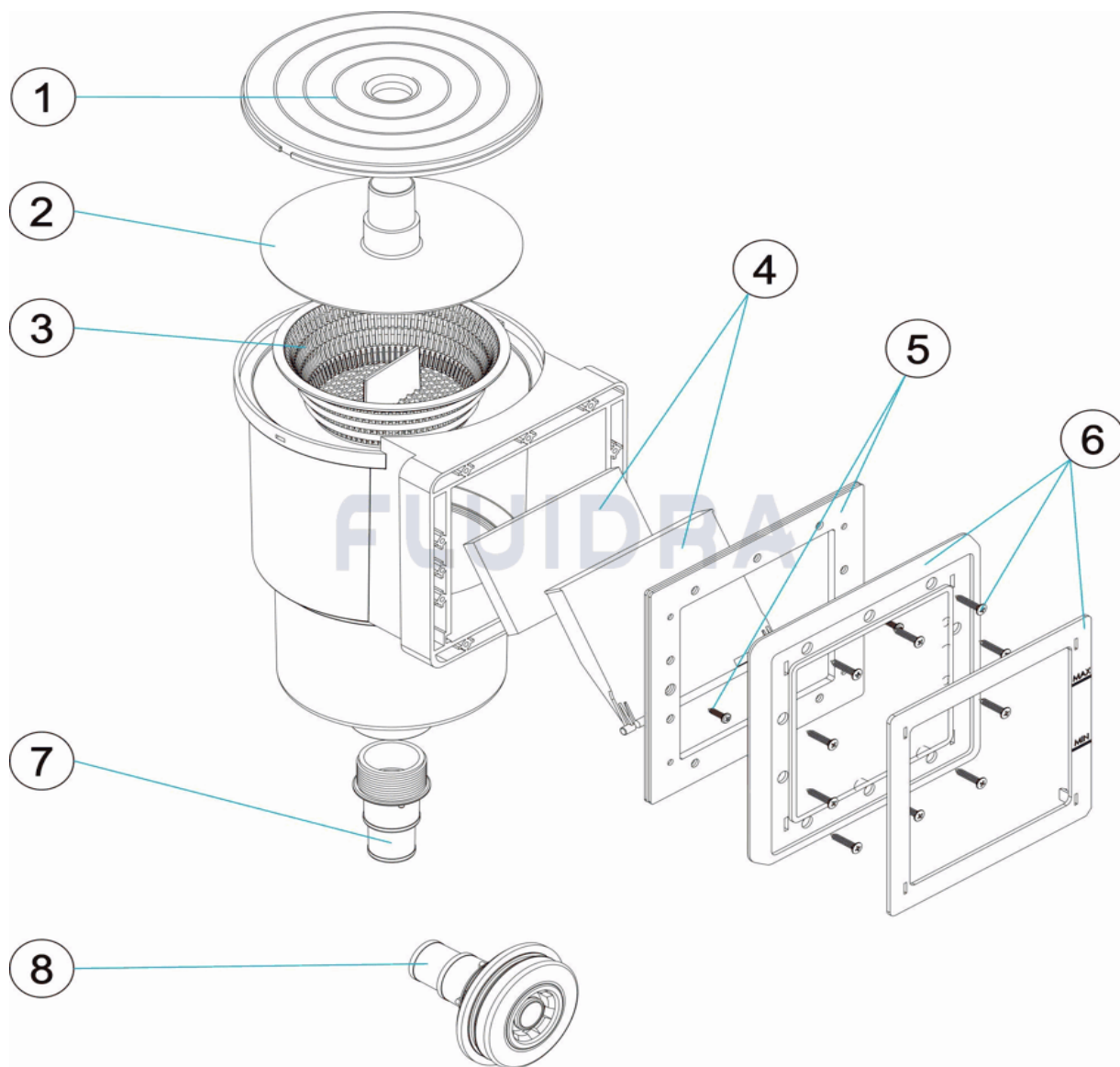


ITALIANO

POS	CODICE	DESCRIZIONE	QUANTITA'	POS	CODICE	DESCRIZIONE	QUANTITA'
1	4402011504	COUVERCLE SKIMMER PISCINE HORS SO	5	4402011505	GUARNIZIONE PER CORNICE PISCINA FUC		
2	4402011503	COPERCHIO CESTELLO PISCINA FUORI TI	6	4402011506	COPERCHIO E FLANGIA PISCINA FUORI TE		
3	4402011502	CESTELLO SKIMMER PISCINA FUORI TERF	7	4402011507	MANICOTTO SKIMMER PISCINA FUORI TERF		
4	4402011501	BATTENTE SKIMMER PISCINA FUORI TERF	8	06501	BOCCHETTA PISCINA ELEVATA		

CODE **09297**

BESCHREIBUNG: **SKIMMER AUFSTELLBECKEN**

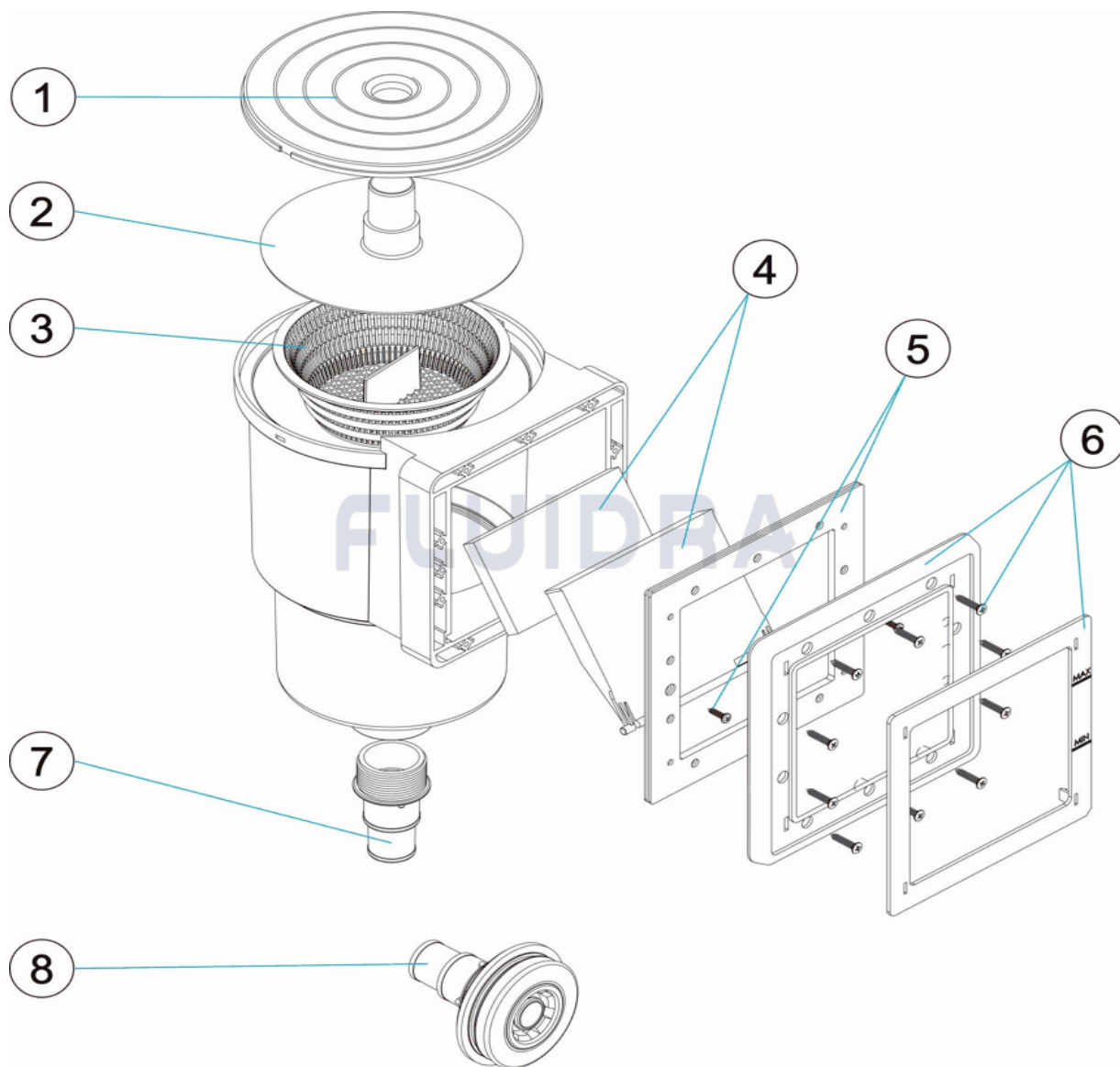


DEUTSCH

POS	CODE	BESCHREIBUNG	MENGE	POS	CODE	BESCHREIBUNG	MENGE
1	4402011504	SKIMMERABDECKUNG AUFSTELLBECKEN	5	4402011505	DICHTUNGEN RAHMEN AUFSTELLBECKEN		
2	4402011503	ABDECKUNG KORB AUFSTELLBECKEN	6	4402011506	ABDECKUNG UND RAHMEN AUFSTELLBEC		
3	4402011502	SKIMMERKORB AUFSTELLBECKEN	7	4402011507	NIPPEL SKIMMER AUFSTELLBECKEN		
4	4402011501	SKIMMERKLAPPE AUFSTELLBECKEN	8	06501	DÜSE AUFSTELLBECKEN		

CODIGO **09297**

DESCRIÇÃO: **SKIMMER PISCINA ELEVADA**



PORTUGUES

POS	CODIGO	DESCRIÇÃO	JANTIDADE	POS	CODIGO	DESCRIÇÃO	JANTIDADE
1	4402011504	TAMPA SKIMMER PISCINA ELEVADA	5	4402011505	JUNTAS MARCO PISCINA ELEVADA		
2	4402011503	TAMPA CESTO PISCINA ELEVADA	6	4402011506	TAMPA E MARCO PISCINA ELEVADA		
3	4402011502	CESTO SKIMMER PISCINA ELEVADA	7	4402011507	RACORD SKIMMER PISCINA ELEVADA		
4	4402011501	COMPORTA SKIMMER PISCINA ELEVADA	8	06501	BOQUILHA PISCINA ELEVADA		