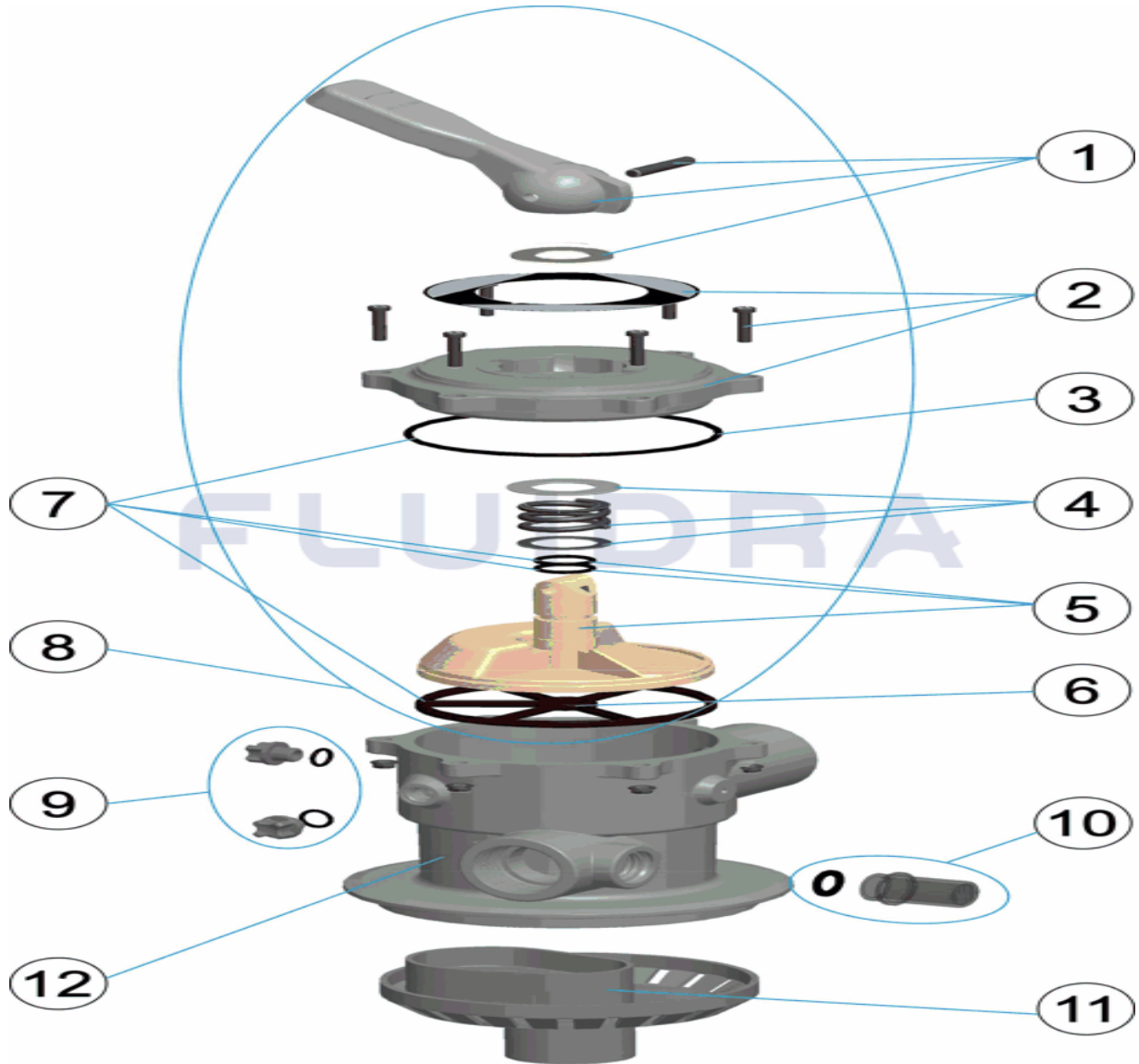


CODIGO 65216

DESCRIPCION: VALVULA SELECTORA 1 1/2"

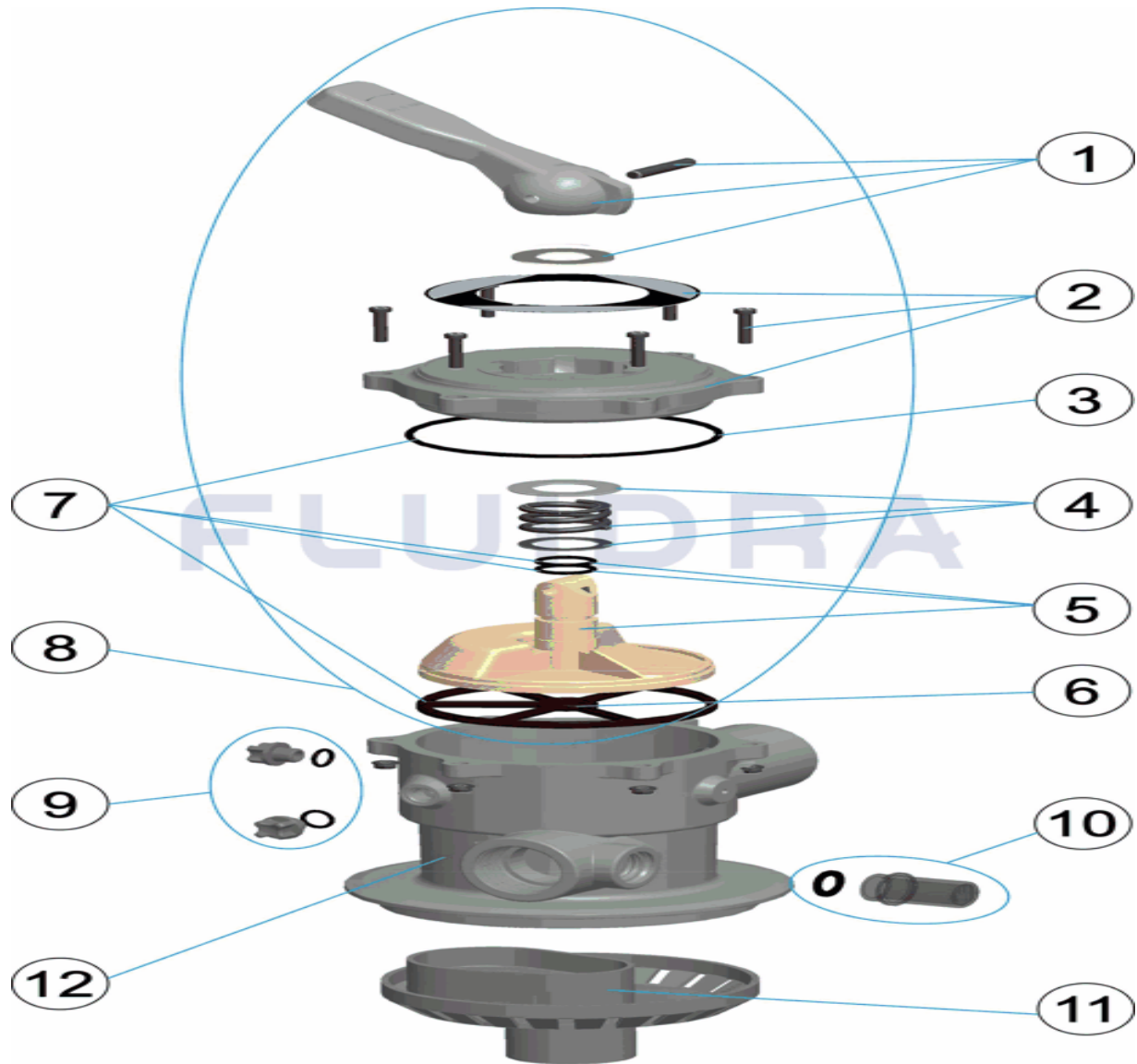


ESPAÑOL

POS	CODIGO	DESCRIPCION	CANTIDAD	POS	CODIGO	DESCRIPCION	CANTIDAD
1	4404120018	MANETA 1/2" NEGRA NEUTR "		7	4404120107	JUNTAS VALVULA 1 1/2' NUEVA	
2	4404120088	TAPA VALVULA SELECTORA 1 1/2"		8	4404120112	TAPA DISTRIBUIDOR NEGRA 1 1/2' MNB/N/A	
3	4404120023	JUNTA TORICA TAPA 1 1/2"		9	4405010110	TAPONES PURGA "	
4	4404120105	RESORTE CON ARANDELAS		10	4404120108	VISOR CON JUNTA	
5	4404120106	DISTRIBUIDOR CON JUNTAS 1 1/2' NUEVO		11	4404121408	DIFUSOR VALVULA TOP	
6	4404120071	JUNTA VALVULA SELECTORA 1 1/2"		12	65216R0101	CUERPO VALVULA SELECTORA	

CODE 65216

DESCRIPTION: SÉLECTEUR 1 1/2"

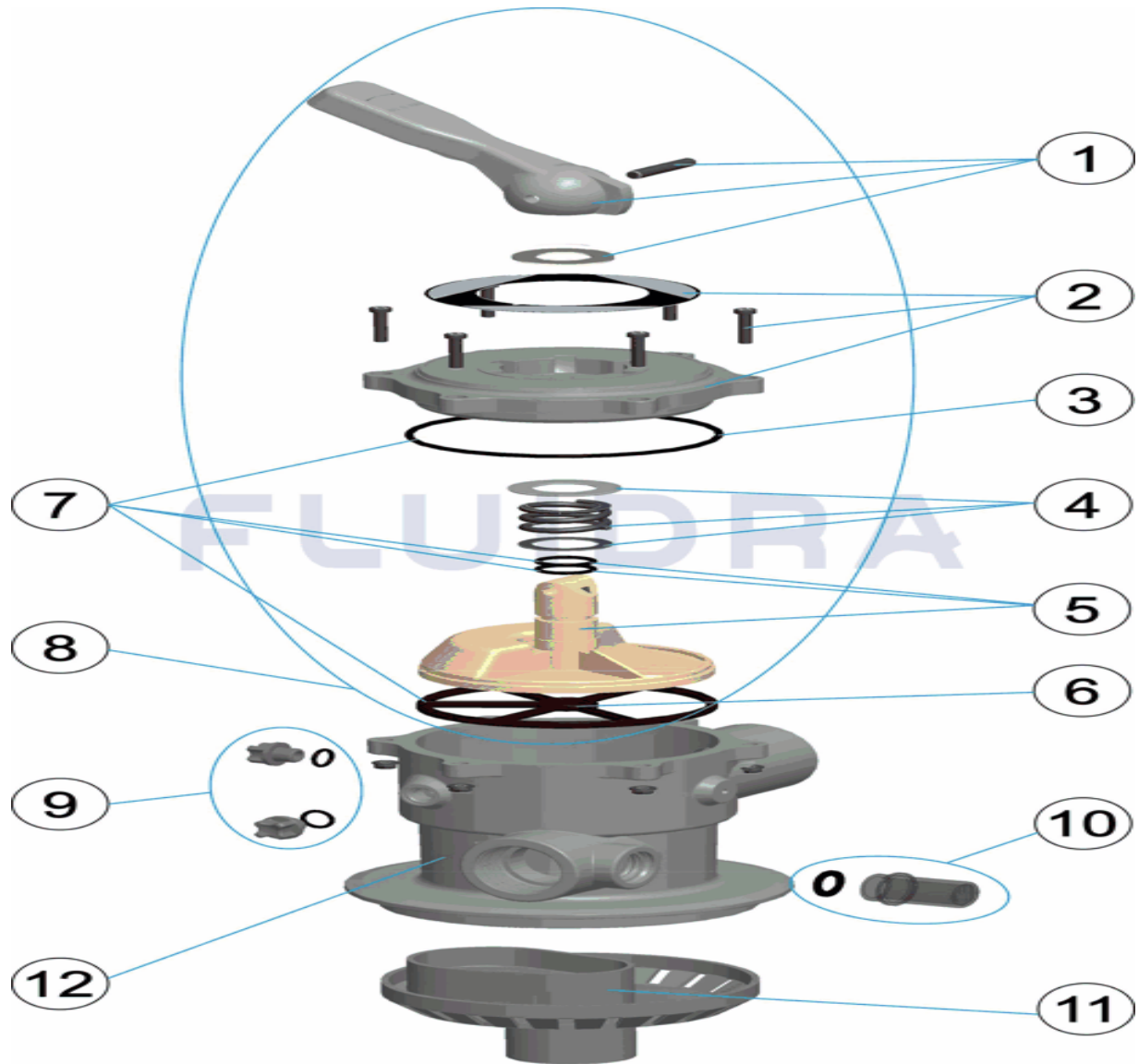


FRANCAIS

POS	CODE	DESCRIPTION	QUANTITE	POS	CODE	DESCRIPTION	QUANTITE
1	4404120018	POIGNEE 1 1/2" NOI "		7	4404120107	JOINTS 1 1/2' NOUVEAU MODELE	
2	4404120088	DESSUS DE VANNE 1 1/2"		8	4404120112	COUVERCLE NOIR ET BOISSEAU 1 1/2' MN	
3	4404120023	JOINT TORIQUE COUVERCLE 1 1/2"		9	4405010110	BOUCHON DE PURGUE "	
4	4404120105	RESSORT ET RONDELLES		10	4404120108	VOYANT ET JOINT	
5	4404120106	BOISSEAU ET JOINT DE VANNE NOUVEAU		11	4404121408	DIFFUSEUR DE VANNE TOP	
6	4404120071	JOINT VANNE 1 1/2"		12	65216R0101	CORP DE VANNE DE SELECTION	

CODE 65216

DESCRIPTION: MULTIPOINT VALVE 1 1/2"

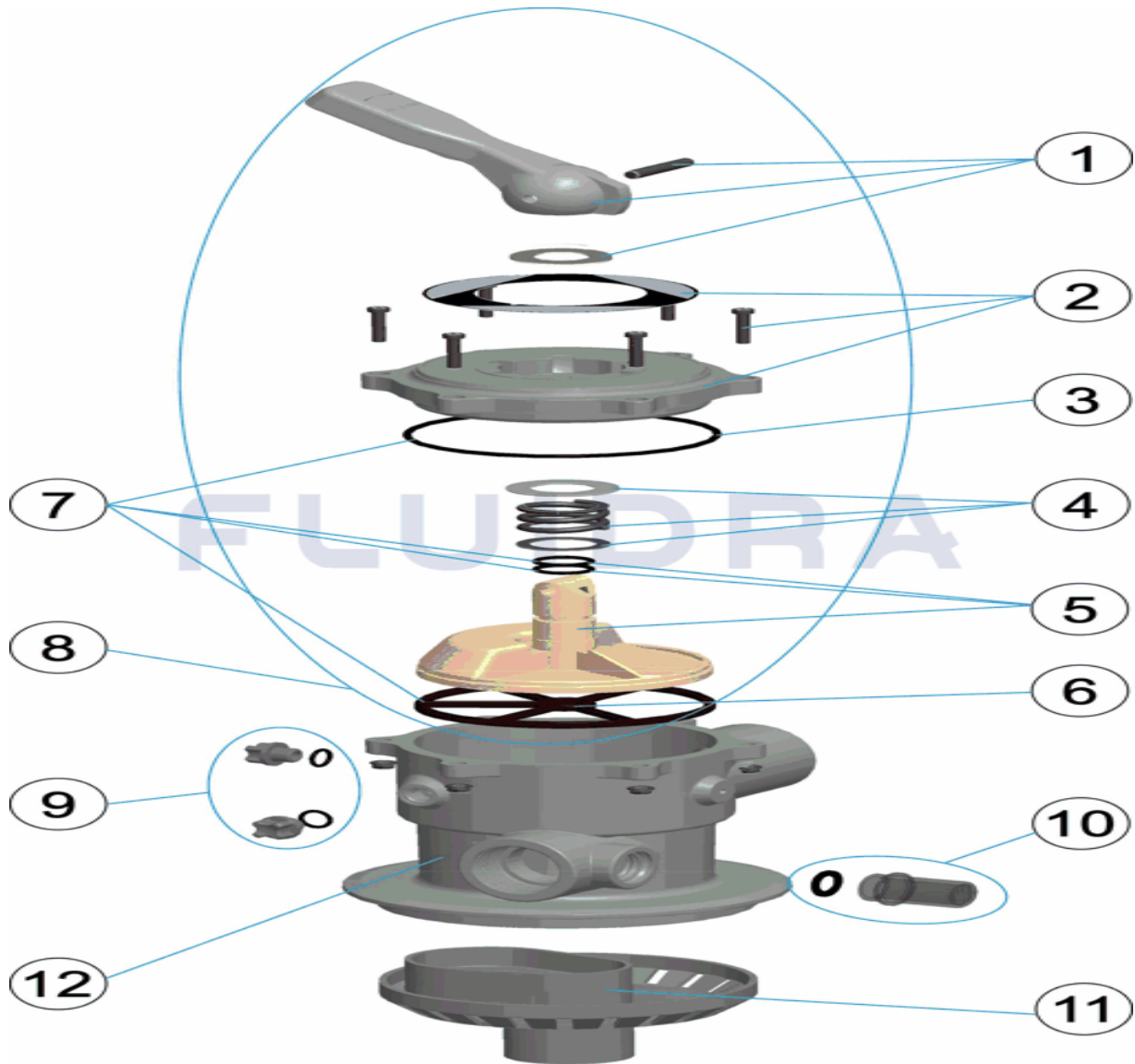


ENGLISH

POS	CODE	DESCRIPTION	QUANTITY	POS	CODE	DESCRIPTION	QUANTITY
1	4404120018	HANDLE 1 1/2" BLAC "		7	4404120107	GASKETS NEW VALVE 1 1/2'	
2	4404120088	COVERS SELECTOR VALVE 1 1/2"		8	4404120112	TOP ASSEMBLY BLACK 1 1/2' MNB/N/A	
3	4404120023	1 1/2" LID 'O' RIN "		9	4405010110	DRAIN PLUG "	
4	4404120105	SPRING WITH WASHERS		10	4404120108	VISOR WITH SEAL	
5	4404120106	DISTRIBUTOR WITH GASKETS 1 1/2'		11	4404121408	DIFFUSER	
6	4404120071	1 1/2" MULTIPOINT VALVE GASKET		12	65216R0101	VALVE BODY	

CODICE **65216**

DESCRIZIONE: **VALVOLA SELETRICE 1 1/2"**

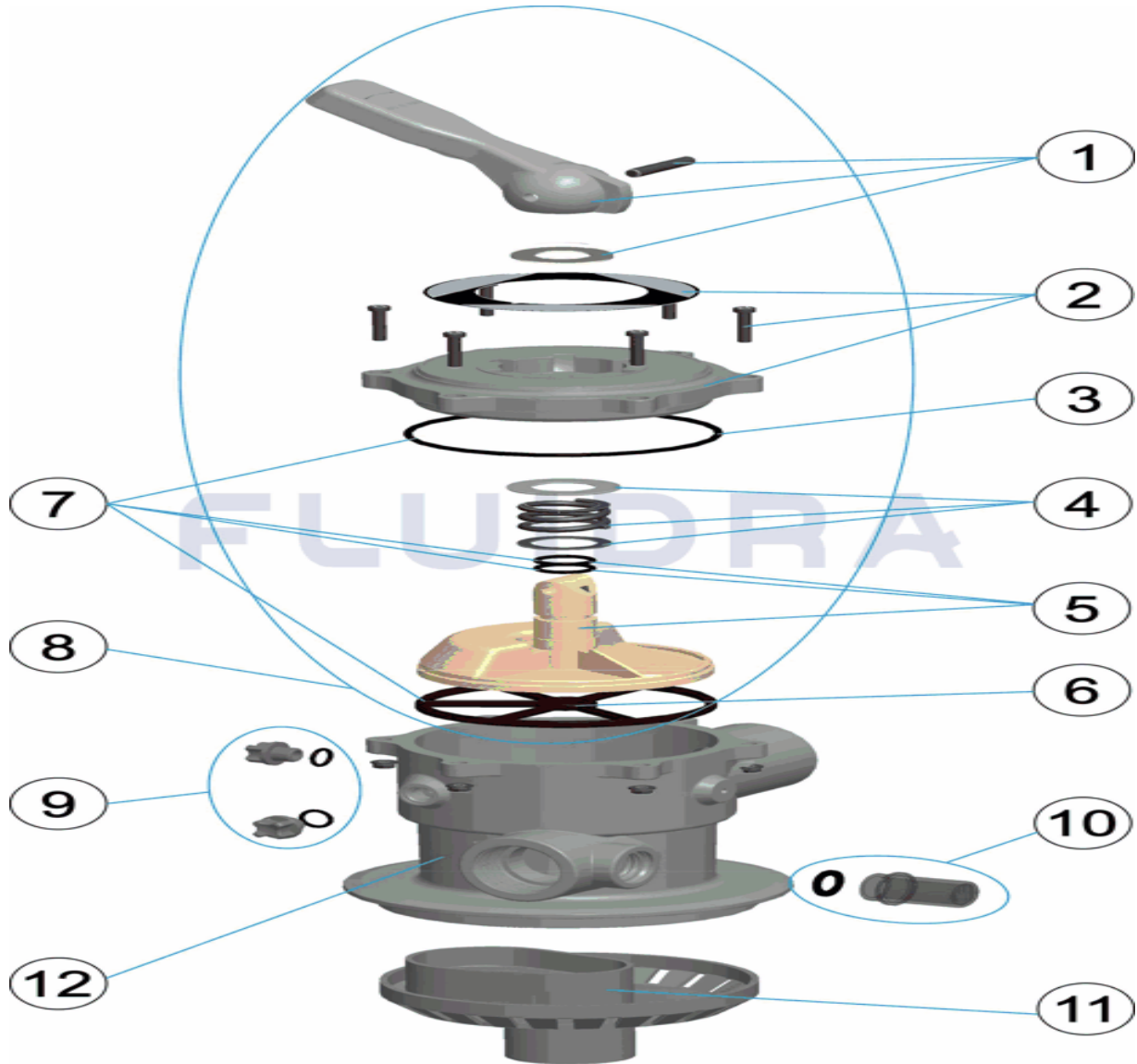


ITALIANO

POS	CODICE	DESCRIZIONE	QUANTITA'	POS	CODICE	DESCRIZIONE	QUANTITA'
1	4404120018	MANIGLIA 1 1/2" NER "		7	4404120107	GUARNIZIONI VALVOLA 1 1/2' NUOVO	
2	4404120088	COPERCHIO VALVOLA 1 1/2"		8	4404120112	COPERCHIO DI DISTRIBUZIONE NERO 1 1/2"	
3	4404120023	O-RING COPERCHIO 1 1/2"		9	4405010110	TAPPO SCARICO "	
4	4404120105	MOLLA CON RONDELLA		10	4404120108	VISORE CON GUARNIZIONE	
5	4404120106	DISTRIBUTORE CON GUARNIZIONI 1 1/2' N		11	4404121408	DIFFUSORE VALVOLA TOP	
6	4404120071	GUARNIZIONE VALVOLA 1 1/2"		12	65216R0101	CORPO VALVOLA SELETRICE	

CODE **65216**

BESCHREIBUNG: **MEHRWEGVENTIL 1 1/2"**

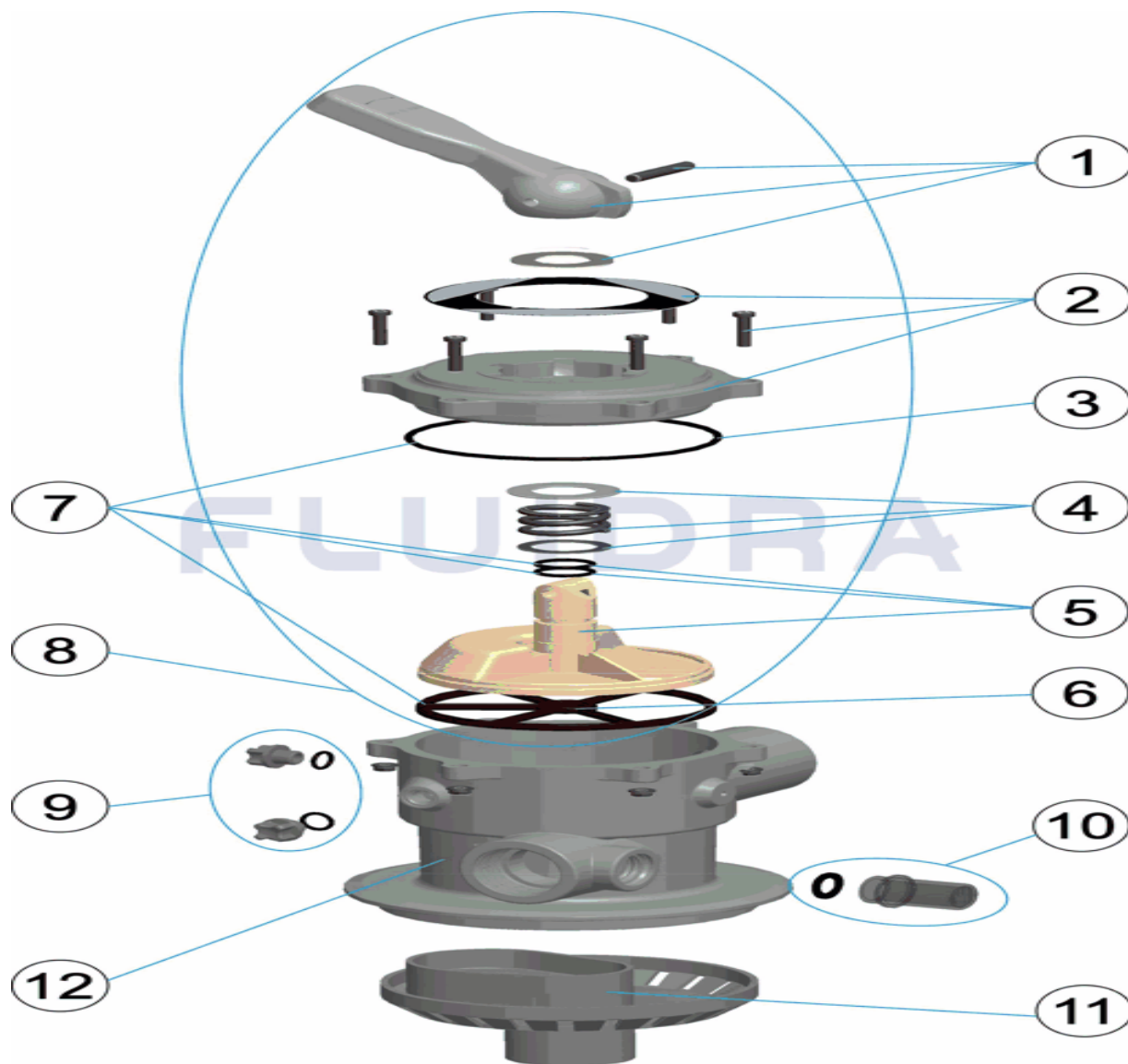


DEUTSCH

POS	CODE	BESCHREIBUNG	MENGE	POS	CODE	BESCHREIBUNG	MENGE
1	4404120018	GRIFF 1/2" SCHWARZ NEUTRA "		7	4404120107	VENTILDICHTUNGEN 1 1/2" NEUVERSION	
2	4404120088	ABDECKUNG MEHRWEGVENTIL 1 1/2"		8	4404120112	VERTEILERDECKEL SCHWARZ 1 1/2" MNB/Λ	
3	4404120023	O-RING ABDECKUNG 1 1/2"		9	4405010110	ABLASSSTOPFEN "	
4	4404120105	FEDER MIT UNTERLEGSCHLEIBEN		10	4404120108	SCHAUGLAS UND DICHTUNG	
5	4404120106	VERTEILER UND DICHTUNGEN 1 1/2' NEUΛ		11	4404121408	WASSERVERTEILER VENTIL TOP	
6	4404120071	DICHTUNG MEHRWEGVENTIL 1 1/2"		12	65216R0101	GEHÄUSE MEHRWEGVENTIL	

CODIGO **65216**

DESCRIÇÃO: **VÁLVULA SELECTORA 1 ½"**



PORTUGUES

POS	CODIGO	DESCRIÇÃO	JANTIDADE	POS	CODIGO	DESCRIÇÃO	JANTIDADE
1	4404120018	MANIPULO 1 1/2" PRET "		7	4404120107	JUNTAS VÁLVULA 1 1/2'	
2	4404120088	TAMPA VALVULA 1 1/2"		8	4404120112	TAMPA DISTRIBUIDORA PRETA 1 1/2' MNB/Λ	
3	4404120023	JUNTA TÓRICA TAMPA 1 1/2"		9	4405010110	TAMPÃO PURGA "	
4	4404120105	MOLA COM ANILHAS		10	4404120108	VISOR COM JUNTA	
5	4404120106	DISTRIBUIDOR COM JUNTAS 1 1/2"		11	4404121408	DIFUSOR VALVULA TOP	
6	4404120071	JUNTA VALVULA 1 ½"		12	65216R0101	CORPO VALVULA SELECTORA	