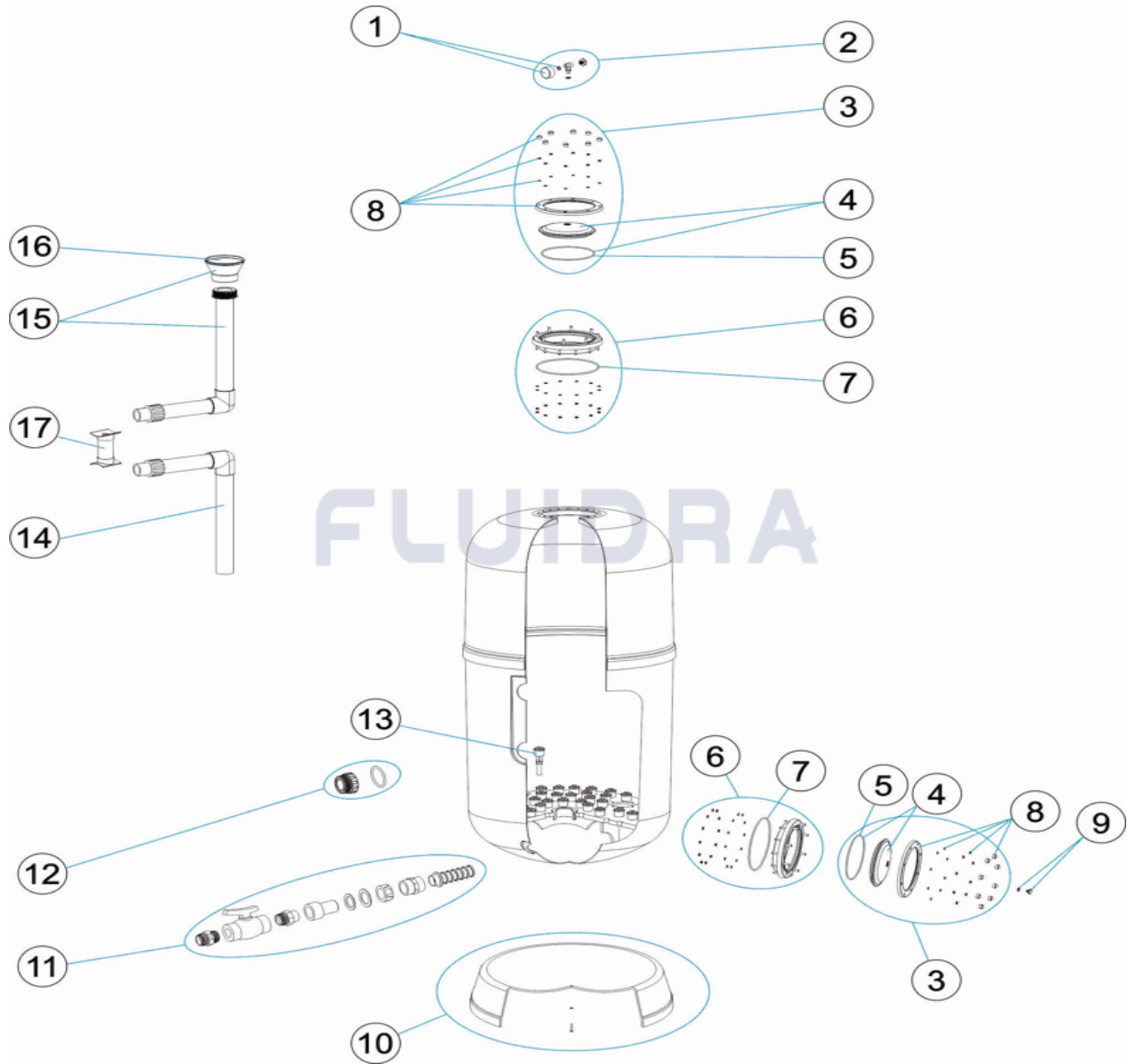


CODIGO 36053-0100100, 36054-0100100, 41373-100

DESCRIPCION: FILTROS ARTIC PLUS D. 650-800-950 CREPINAS



ESPAÑOL

POS	CODIGO	DESCRIPCION	CANTIDAD	POS	CODIGO	DESCRIPCION	CANTIDAD
1	4404180405	MANOMETRO 1/8" 3 KG/C "		12	* 4404290108	RACOR SALIDA 2 1/2" + JUNTA TORIC "	
2	4404180404	MANOMETRO COMPLETO		13	* 4404161535	CREPINA 0,5 MM	
3	4404303002	GRUPO TAPA NEGRA FILTRO A/TORNILLO		14	* 4404010278	CJTO. COLECTOR D. 650	
4	4404160847	TAPA FILTRO D. 220 NEGRA		14	* 4404010294	CJTO. COLECTOR D. 800	
5	4404260106	JUNTA ARO FIJACION VALVULA		14	* 4404010281	CJTO. COLECTOR D. 950 2 1/2"	
6	4404160809	ARO CUELLO 20 TORNILLOS		15	* 4404010295	CJTO. DIFUSOR D.650	
7	4404020116	JUNTA TORICA 255X4		15	* 4404010271	CJTO. DIFUSOR D.800	
8	4404303001	ARO FIJACION TAPA		15	* 4404010277	CJTO. DIFUSOR D.950 2 1/2"	
9	4404040113	TAPON PURGA Y JUNTA		16	* 4404301004	CONO DIFUSOR D.50	
10	* 4404010241	PIE FILTRO D. 650		16	* 4404300910	CONO DIFUSOR D. 63	
10	* 4404010242	PIE FILTRO D. 800		16	* 4404190324	CONO DIFUSOR D.75	
10	* 4404010243	PIE FILTRO D. 950		17	* 34030R0416	SOPORTE DIFUSOR D.650	
11	4404303004	CJTO. PURGA		17	* 4404010361	CJTO. DIFUSOR D. 800	

CODIGO 36053-0100100, 36054-0100100, 41373-100

DESCRIPCION: FILTROS ARTIC PLUS D. 650-800-950 CREPINAS

12	* 4404040103	RACORD 1 ½" + JUNTA TORIC "	17	* 36055R0423	SOPORTE COLECTOR - DIFUSOR D. 1050
12	* 4404040112	RACORD SALIDA 2" + JUNTA TORIC "			

CODIGO 36053-0100100, 36054-0100100, 41373-100

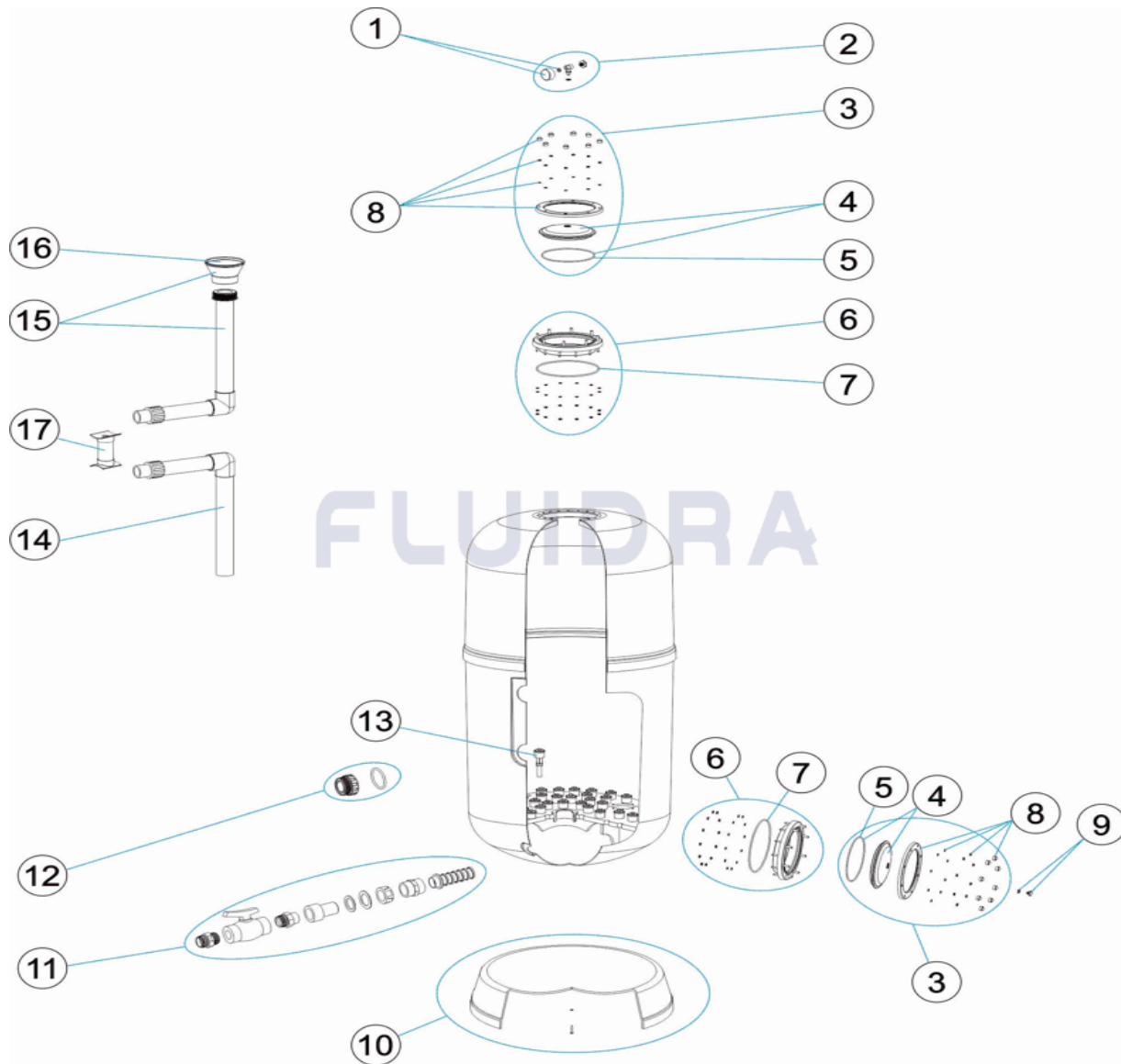
DESCRIPCION: FILTROS ARTIC PLUS D. 650-800-950 CREPINAS

OBSERVACIONES

POS	CODIGO	OBSERVACIONES
10	* 4404010241	PARA: 36053-0100100
10	* 4404010242	PARA: 36054-0100100
10	* 4404010243	PARA: 41373-100
12	* 4404040103	PARA: 36053-0100100
12	* 4404040112	PARA: 36054-0100100
12	* 4404290108	PARA: 41373-100
13	* 4404161535	PARA: 36053-0100100 [22UT], 36054-0100100 [40UT], 41373-100 [62UT]
14	* 4404010278	PARA: 36053-0100100
14	* 4404010294	PARA: 36054-0100100
14	* 4404010281	PARA: 41373-100
15	* 4404010295	PARA: 36053-0100100
15	* 4404010271	PARA: 36054-0100100
15	* 4404010277	PARA: 41373-100
16	* 4404301004	PARA: 36053-0100100
16	* 4404300910	PARA: 36054-0100100
16	* 4404190324	PARA: 41373-100
17	* 34030R0416	PARA: 36053-0100100
17	* 4404010361	PARA: 36054-0100100
17	* 36055R0423	PARA: 41373-100

CODE 36053-0100100, 36054-0100100, 41373-100

DESCRIPTION: FILTRES ARTIC PLUS D. 650-800-950 CREPINAS



FRANCAIS

POS	CODE	DESCRIPTION	QUANTITE	POS	CODE	DESCRIPTION	QUANTITE
1	4404180405	MANOMETRE 1/8" 3 KG./C "		12	* 4404290108	RACCOR SORTIE 2 1/2" + JOINT TORIQU "	
2	4404180404	MANOMETRE COMPLET		13	* 4404161535	CREPINE 0,5 MM	
3	4404303002	ENSEMBLE COUVERCLE		14	* 4404010278	ENSEMBLE COLLECTEUR D. 650	
4	4404160847	COUVERCLE FILTRE D. 220 NOIR		14	* 4404010294	ENSEMBLE COLLECTEUR D. 800	
5	4404260106	JOINT BRIDE FIXATION VANNE TOP		14	* 4404010281	ENSEMBLE COLLECTEUR D 950 2 1/2"	
6	4404160809	BRIDE GORGE 20 VIS		15	* 4404010295	ENSEMBLE DIFFUSEUR D. 650	
7	4404020116	JOINT TORIQUE 255X4		15	* 4404010271	ENSEMBLE DIFFUSEUR D. 800	
8	4404303001	BRIDE DE FIXATION COUVERCLE		15	* 4404010277	ENSEMBLE DIFFUSEUR D. 2 1/2"	
9	4404040113	BOUCHON PURGE ET JOINT		16	* 4404301004	DIFUSOR CONIQUE SUPERIOR D. 50	
10	* 4404010241	SOCLE FILTRE D. 650		16	* 4404300910	DIFUSOR CONIQUE SUPERIOR D. 63	
10	* 4404010242	SOCLE FILTRE D. 800		16	* 4404190324	DIFUSOR CONIQUE SUPERIOR D. 75	
10	* 4404010243	SOCLE FILTRE D. 950		17	* 34030R0416	SUPPORT COLLECTEUR D. 650	
11	4404303004	ENSEMBLE PURGE		17	* 4404010361	ENSEMBLE DIFFUSEUR D. 800	

CODE **36053-0100100, 36054-0100100, 41373-100**

DESCRIPTION: **FILTRES ARTIC PLUS D. 650-800-950 CREPINAS**

12	* 4404040103	RACCORD 1 1/2" + JOINT TORIQU "	17	* 36055R0423	SUPPORT COLLECTEUR D. 1050
12	* 4404040112	RACCORD SORTIE 2" + JOINT TORIQU "			

CODE **36053-0100100, 36054-0100100, 41373-100**

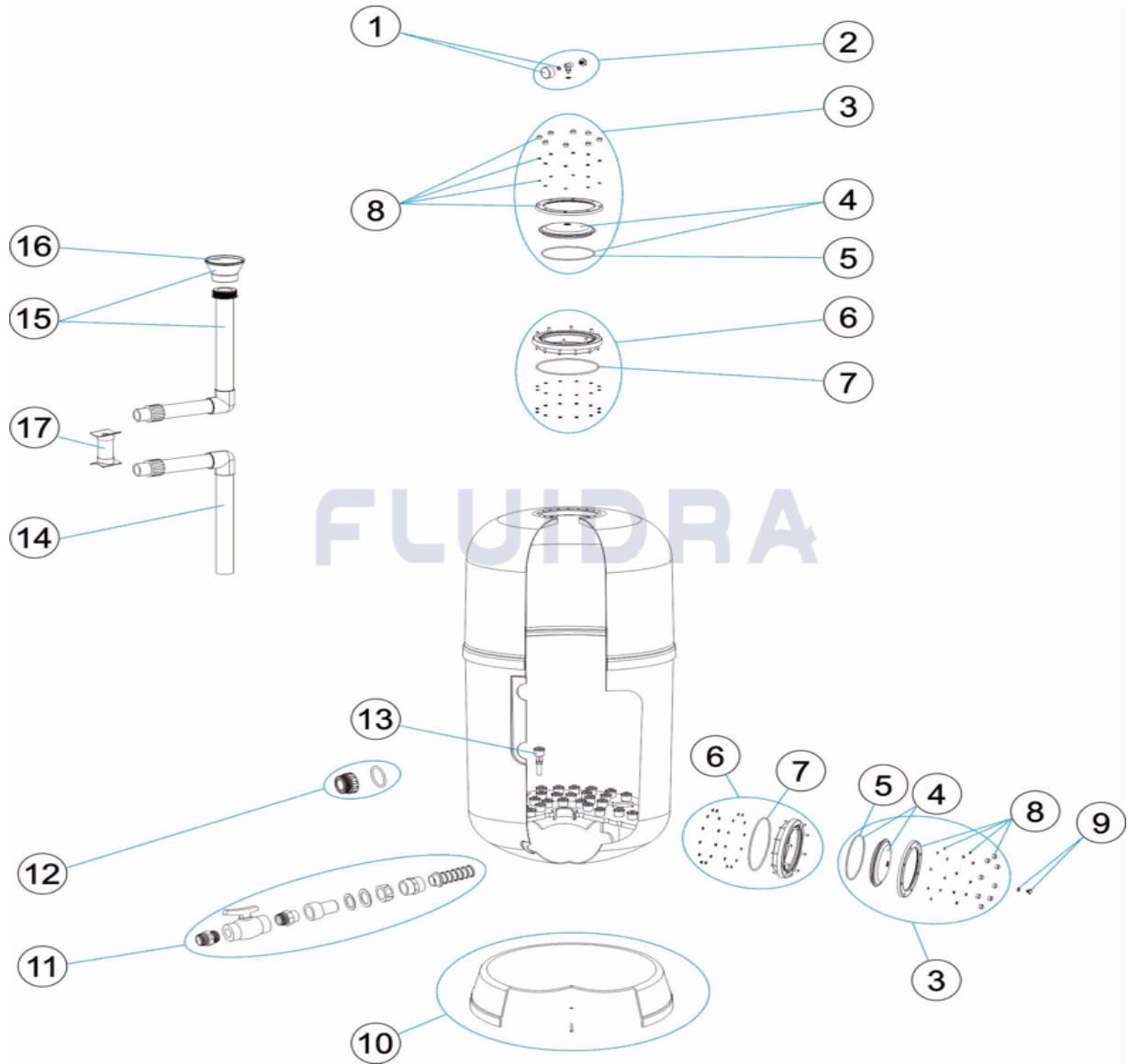
DESCRIPTION: **FILTRES ARTIC PLUS D. 650-800-950 CREPINAS**

OBSERVATIONS

POS	CODE	OBSERVATIONS
10	* 4404010241	POUR: 36053-0100100
10	* 4404010242	POUR: 36054-0100100
10	* 4404010243	POUR: 41373-100
12	* 4404040103	POUR: 36053-0100100
12	* 4404040112	POUR: 36054-0100100
12	* 4404290108	POUR: 41373-100
13	* 4404161535	POUR: 36053-0100100 [22UT], 36054-0100100 [40UT], 41373-100 [62UT]
14	* 4404010278	POUR: 36053-0100100
14	* 4404010294	POUR: 36054-0100100
14	* 4404010281	POUR: 41373-100
15	* 4404010295	POUR: 36053-0100100
15	* 4404010271	POUR: 36054-0100100
15	* 4404010277	POUR: 41373-100
16	* 4404301004	POUR: 36053-0100100
16	* 4404300910	POUR: 36054-0100100
16	* 4404190324	POUR: 41373-100
17	* 34030R0416	POUR: 36053-0100100
17	* 4404010361	POUR: 36054-0100100
17	* 36055R0423	POUR: 41373-100

CODE 36053-0100100, 36054-0100100, 41373-100

DESCRIPTION: NOZZLE ARTIC PLUS FILTERS D. 650-800-950



ENGLISH

POS	CODE	DESCRIPTION	QUANTITY	POS	CODE	DESCRIPTION	QUANTITY
1	4404180405	PRESSURE GAUGE 1/8" 3 KG./C "		12	* 4404290108	OUTLETUNION 2 1/2" + O-RIN "	
2	4404180404	COMPLETE PRESSURE GAUGE UNIT		13	* 4404161535	STRAINER 0,5 MM	
3	4404303002	SET LID		14	* 4404010278	MANIFOLD ASSEMBLY D. 650	
4	4404160847	FILTER LID D. 220 BLACK		14	* 4404010294	MANIFOLD ASSEMBLY D. 800	
5	4404260106	VALVE TOP RING FIXING GASKET		14	* 4404010281	MANIFOLD ASSEMBLY D. 950 2 1/2"	
6	4404160809	20-SCREW NECK RING		15	* 4404010295	DIFFUSER ASSEMBLY D. 650	
7	4404020116	O' RING 255X4		15	* 4404010271	DIFFUSER ASSEMBLY D. 800	
8	4404303001	LIF FIXING RING		15	* 4404010277	DIFFUSER ASSEMBLY D. 950 2 1/2"	
9	4404040113	DRAIN PLUG AND GASKET		16	* 4404301004	DIFFUSER CONE D. 50	
10	* 4404010241	FILTER BASE D. 650		16	* 4404300910	DIFFUSER CONE D. 63	
10	* 4404010242	FILTER BASE D. 800		16	* 4404190324	DIFFUSER CONE D. 75	
10	* 4404010243	FILTER BASE D. 950		17	* 34030R0416	COLLECTOR SUPPORT D.650	
11	4404303004	DRAIN SET		17	* 4404010361	DIFFUSER ASSEMBLY D. 800	

CODE **36053-0100100, 36054-0100100, 41373-100**

DESCRIPTION: **NOZZLE ARTIC PLUS FILTERS D. 650-800-950**

12	* 4404040103	FITTING 1 1/2" + O'RIN "	17	* 36055R0423	SOPORTE COLECTOR - DIFUSOR D. 1050
12	* 4404040112	2" OUTLET FITTING + O'RIN "			

CODE **36053-0100100, 36054-0100100, 41373-100**

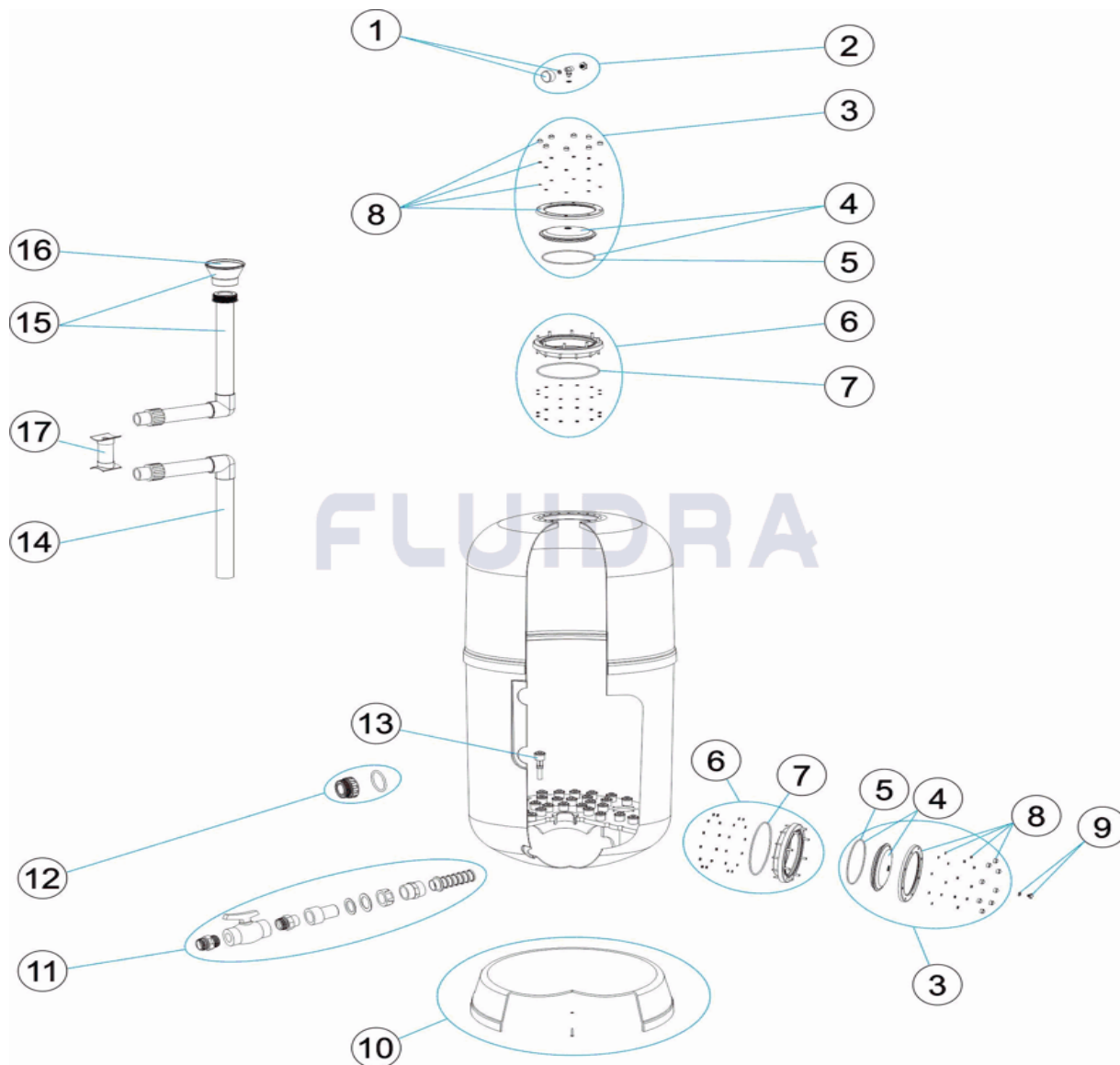
DESCRIPTION: **NOZZLE ARTIC PLUS FILTERS D. 650-800-950**

OBSERVATIONS

POS	CODE	OBSERVATIONS
10	* 4404010241	FOR: 36053-0100100
10	* 4404010242	FOR: 36054-0100100
10	* 4404010243	FOR: 41373-100
12	* 4404040103	FOR: 36053-0100100
12	* 4404040112	FOR: 36054-0100100
12	* 4404290108	FOR: 41373-100
13	* 4404161535	FOR: 36053-0100100 [22UT], 36054-0100100 [40UT], 41373-100 [62UT]
14	* 4404010278	FOR: 36053-0100100
14	* 4404010294	FOR: 36054-0100100
14	* 4404010281	FOR: 41373-100
15	* 4404010295	FOR: 36053-0100100
15	* 4404010271	FOR: 36054-0100100
15	* 4404010277	FOR: 41373-100
16	* 4404301004	FOR: 36053-0100100
16	* 4404300910	FOR: 36054-0100100
16	* 4404190324	FOR: 41373-100
17	* 34030R0416	FOR: 36053-0100100
17	* 4404010361	FOR: 36054-0100100
17	* 36055R0423	FOR: 41373-100

CODICE 36053-0100100, 36054-0100100, 41373-100

DESCRIZIONE: FILTRI ARTIC PLUS D. 650-800-950 UGELLI



ITALIANO

POS	CODICE	DESCRIZIONE	QUANTITA'	POS	CODICE	DESCRIZIONE	QUANTITA'
1	4404180405	MANOMETRO 1/8" 3 KG./C "		12	* 4404290108	RACCORDO USCITA 2 1/2" + O-RIN "	
2	4404180404	MANOMETRO COMPLETO		13	* 4404161535	DIFFUSORE 0,5 MM	
3	4404303002	GRUPPO COPERCHIO		14	* 4404010278	KIT COLLETTORE D. 650	
4	4404160847	COPERCHIO FILTRO D. 220 NERO		14	* 4404010294	KIT COLLETTORE D. 800	
5	4404260106	GUARNIZIONE FLANGIA FISSAGGIO VALVOL		14	* 4404010281	KIT COLLETTORE D 950 2 1/2"	
6	4404160809	ANELLO COLLO 20 VITI		15	* 4404010295	RACCORDO DIFFUSORE D. 650	
7	4404020116	O-RING 255X4		15	* 4404010271	RACCORDO DIFFUSORE D. 800	
8	4404303001	FLANGIA FISSAGGIO COPERCHIO		15	* 4404010277	RACCORDO DIFFUSORE D. 950 2 1/2"	
9	4404040113	TAPPO SPURGO E GUARNIZIONE		16	* 4404301004	CONO DIFFUSORE D. 50	
10	* 4404010241	BASE FILTRO D. 650		16	* 4404300910	CONO DIFFUSORE D. 63	
10	* 4404010242	BASE FILTRO D. 800		16	* 4404190324	CONO DIFFUSORE D. 75	
10	* 4404010243	BASE FILTRO D. 950		17	* 34030R0416	SUPPORTO COLLETTORE D.650	
11	4404303004	KIT SCARICO		17	* 4404010361	RACCORDO DIFFUSORE D. 800	

CODICE 36053-0100100, 36054-0100100, 41373-100

DESCRIZIONE: FILTRI ARTIC PLUS D. 650-800-950 UGELLI

12	* 4404040103	RACCORDO 1 1/2" + O-RIN *	17	* 36055R0423	SUPPORTO COLLETTORE D. 1050
12	* 4404040112	RACCORDO USCITA 2" + O-RING			

CODICE 36053-0100100, 36054-0100100, 41373-100

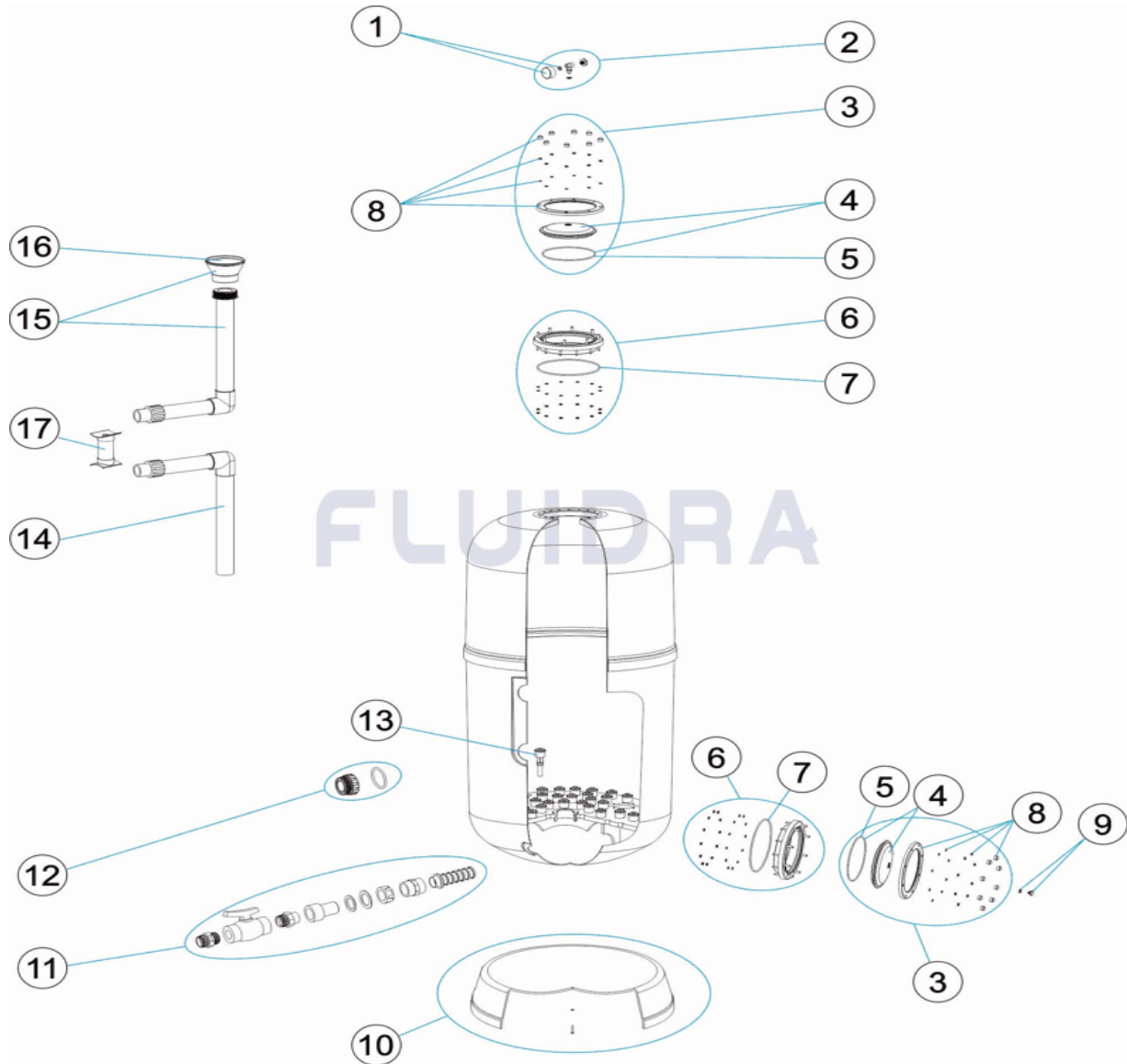
DESCRIZIONE: FILTRI ARTIC PLUS D. 650-800-950 UGELLI

OSSERVAZIONI

POS	CODICE	OSSERVAZIONI
10	* 4404010241	PER: 36053-0100100
10	* 4404010242	PER: 36054-0100100
10	* 4404010243	PER: 41373-100
12	* 4404040103	PER: 36053-0100100
12	* 4404040112	PER: 36054-0100100
12	* 4404290108	PER: 41373-100
13	* 4404161535	PER: 36053-0100100 [22UT], 36054-0100100 [40UT], 41373-100 [62UT]
14	* 4404010278	PER: 36053-0100100
14	* 4404010294	PER: 36054-0100100
14	* 4404010281	PER: 41373-100
15	* 4404010295	PER: 36053-0100100
15	* 4404010271	PER: 36054-0100100
15	* 4404010277	PER: 41373-100
16	* 4404301004	PER: 36053-0100100
16	* 4404300910	PER: 36054-0100100
16	* 4404190324	PER: 41373-100
17	* 34030R0416	PER: 36053-0100100
17	* 4404010361	PER: 36054-0100100
17	* 36055R0423	PER: 41373-100

CODE 36053-0100100, 36054-0100100, 41373-100

BESCHREIBUNG: FILTER ARTIC PLUS D. 650-800-950 FILTERSTOPFEN



DEUTSCH

POS	CODE	BESCHREIBUNG	MENGE	POS	CODE	BESCHREIBUNG	MENGE
1	4404180405	MANOMETER 1/8" 3 KG/C "		12	* 4404290108	GEWINDESTÜCK AUSGANG 2 1/2" UND O-F	
2	4404180404	MANOMETER KOMPLETT		13	* 4404161535	FILTERSTOPFEN 0,5 MM	
3	4404303002	GRUPPE FILTERDECKEL SCHWARZ MIT SK		14	* 4404010278	SAMMELROHRSET D. 650	
4	4404160847	FILTERDECKEL D. 220 SCHWARZ		14	* 4404010294	SAMMELROHRSET D. 800	
5	4404260106	DICHTUNG FIXIERRING VENTIL		14	* 4404010281	SAMMELROHRSET D. 950 2 1/2"	
6	4404160809	FILTERRING 20 SCHRAUBEN		15	* 4404010295	SET WASSERVERTEILER D. 650	
7	4404020116	O-RING 255 X 4		15	* 4404010271	SET WASSERVERTEILER D. 800	
8	4404303001	FIXIERRING ABDECKUNG		15	* 4404010277	SET WASSERVERTEILER D. 950 2 1/2"	
9	4404040113	ABLASSSTOPFEN UND DICHTUNG		16	* 4404301004	KEGEL WASSERVERTEILER D. 50	
10	* 4404010241	FILTERFUSS D. 650		16	* 4404300910	KEGEL WASSERVERTEILER D. 63	
10	* 4404010242	FILTERFUSS D. 800		16	* 4404190324	KEGEL WASSERVERTEILER D. 75	
10	* 4404010243	FILTERFUSS D. 950		17	* 34030R0416	HALTERUNG WASSERVERTEILER D. 650	
11	4404303004	SET ABLASS		17	* 4404010361	SET WASSERVERTEILER D. 800	

CODE **36053-0100100, 36054-0100100, 41373-100**

BESCHREIBUNG: **FILTER ARTIC PLUS D. 650-800-950 FILTERSTOPFEN**

12	* 4404040103	GEWINDESTÜCK 1 1/2" UND O-RIN "	17	* 36055R0423	HALTERUNG SAMMELROHR - WASSERVER
12	* 4404040112	GEWINDESTÜCK AUSGANG 2" UND O-RIN			

CODE **36053-0100100, 36054-0100100, 41373-100**

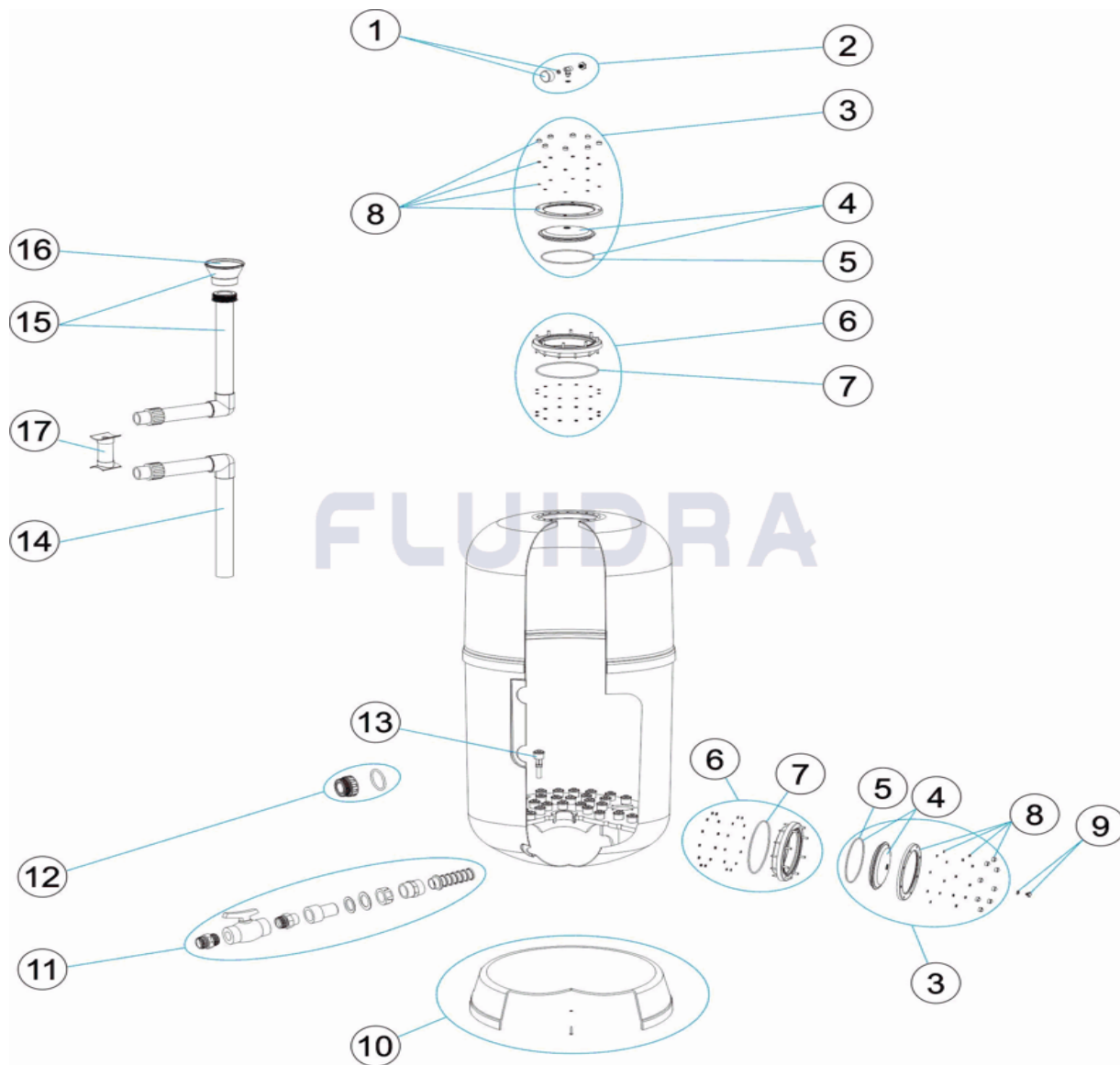
BESCHREIBUNG: **FILTER ARTIC PLUS D. 650-800-950 FILTERSTOPFEN**

HINWEISE

POS	CODE	HINWEISE
10	* 4404010241	FÜR: 36053-0100100
10	* 4404010242	FÜR: 36054-0100100
10	* 4404010243	FÜR: 41373-100
12	* 4404040103	FÜR: 36053-0100100
12	* 4404040112	FÜR: 36054-0100100
12	* 4404290108	FÜR: 41373-100
13	* 4404161535	FÜR: 36053-0100100 [22UT], 36054-0100100 [40UT], 41373-100 [62UT]
14	* 4404010278	FÜR: 36053-0100100
14	* 4404010294	FÜR: 36054-0100100
14	* 4404010281	FÜR: 41373-100
15	* 4404010295	FÜR: 36053-0100100
15	* 4404010271	FÜR: 36054-0100100
15	* 4404010277	FÜR: 41373-100
16	* 4404301004	FÜR: 36053-0100100
16	* 4404300910	FÜR: 36054-0100100
16	* 4404190324	FÜR: 41373-100
17	* 34030R0416	FÜR: 36053-0100100
17	* 4404010361	FÜR: 36054-0100100
17	* 36055R0423	FÜR: 41373-100

CODIGO 36053-0100100, 36054-0100100, 41373-100

DESCRIÇÃO: FILTROS ARTIC PLUS D. 650-800-950 CREPINAS



PORTUGUES

POS	CODIGO	DESCRIÇÃO	JANTIDADE	POS	CODIGO	DESCRIÇÃO	JANTIDADE
1	4404180405	MANOMETRO 1/8" 3 KG./C "		12	* 4404290108	RACORD DE SAIDA 2 1/2" + JUNTA TÓRIC "	
2	4404180404	MANÓMETRO COMPLETO		13	* 4404161535	RALO 0,5 MM	
3	4404303002	CONJUNTO TAMPA		14	* 4404010278	CJTO. COLECTOR D 650	
4	4404160847	TAMPA FILTRO D.220 NEGRA		14	* 4404010294	CJTO. COLECTOR D. 800	
5	4404260106	JUNTA ARO FIXAÇÃO VALVULA TOP		14	* 4404010281	CJTO. COLECTOR D 950 2 1/2"	
6	4404160809	ARO PESCOÇOÇO 20 PARAFUSOS		15	* 4404010295	CJTO. DIFUSOR D. 650	
7	4404020116	JUNTA TÓRICA 255X4		15	* 4404010271	CJTO. DIFUSOR D. 800	
8	4404303001	ARO FIXAÇÃO TAMPA		15	* 4404010277	CJTO. DIFUSOR D. 950 2 1/2"	
9	4404040113	TAMPÃO PURGA E JUNTA		16	* 4404301004	CONO DIFUSOR D. 50	
10	* 4404010241	PÉ FILTRO D. 650		16	* 4404300910	CONO DIFUSOR D. 63	
10	* 4404010242	PÉ FILTRO D. 800		16	* 4404190324	CONO DIFUSOR D. 75	
10	* 4404010243	PÉ FILTRO D. 950		17	* 34030R0416	SUPORTE COLECTOR D. 650	
11	4404303004	CONJUNTO PURDA AREIA		17	* 4404010361	CJTO. DIFUSOR D. 800	

CODIGO 36053-0100100, 36054-0100100, 41373-100

DESCRIÇÃO: FILTROS ARTIC PLUS D. 650-800-950 CREPINAS

12	* 4404040103	RACORD 1 1/2" JUNTA TORIC "	17	* 36055R0423	SUPORTE COLECTOR D. 1050
12	* 4404040112	ACOPLADOR SAÍDA 2" + JUNTA TORIC "			

CODIGO 36053-0100100, 36054-0100100, 41373-100

DESCRIÇÃO: FILTROS ARTIC PLUS D. 650-800-950 CREPINAS

OBSERVAÇÕES

POS	CODIGO	OBSERVAÇÕES
10	* 4404010241	PARA: 36053-0100100
10	* 4404010242	PARA: 36054-0100100
10	* 4404010243	PARA: 41373-100
12	* 4404040103	PARA: 36053-0100100
12	* 4404040112	PARA: 36054-0100100
12	* 4404290108	PARA: 41373-100
13	* 4404161535	PARA: 36053-0100100 [22UT], 36054-0100100 [40UT], 41373-100 [62UT]
14	* 4404010278	PARA: 36053-0100100
14	* 4404010294	PARA: 36054-0100100
14	* 4404010281	PARA: 41373-100
15	* 4404010295	PARA: 36053-0100100
15	* 4404010271	PARA: 36054-0100100
15	* 4404010277	PARA: 41373-100
16	* 4404301004	PARA: 36053-0100100
16	* 4404300910	PARA: 36054-0100100
16	* 4404190324	PARA: 41373-100
17	* 34030R0416	PARA: 36053-0100100
17	* 4404010361	PARA: 36054-0100100
17	* 36055R0423	PARA: 41373-100