

DESPIECE

REV.: 0

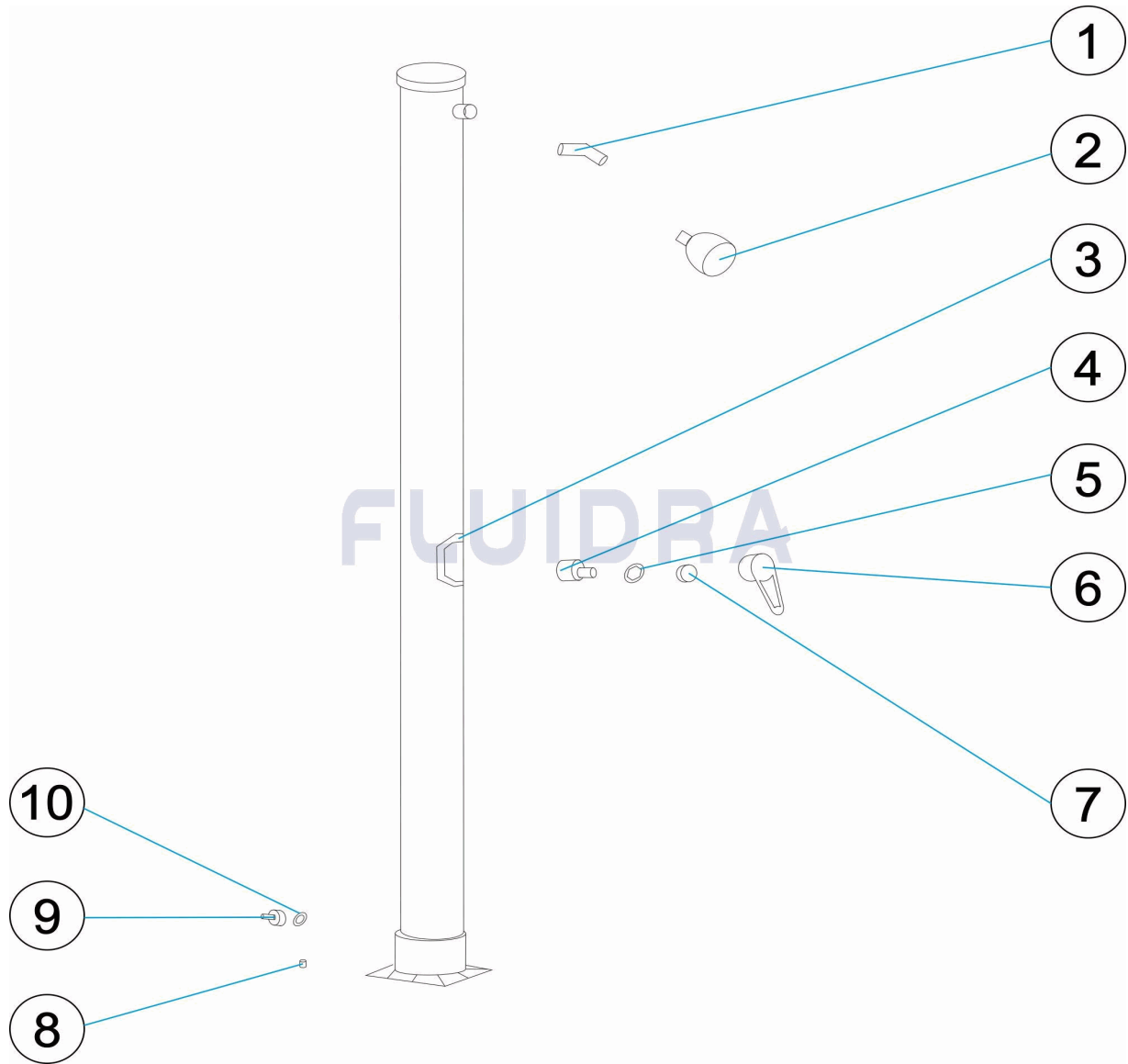
1470

FECHA: 07/06/2021

HOJA: 1/6

CODIGO **40664**

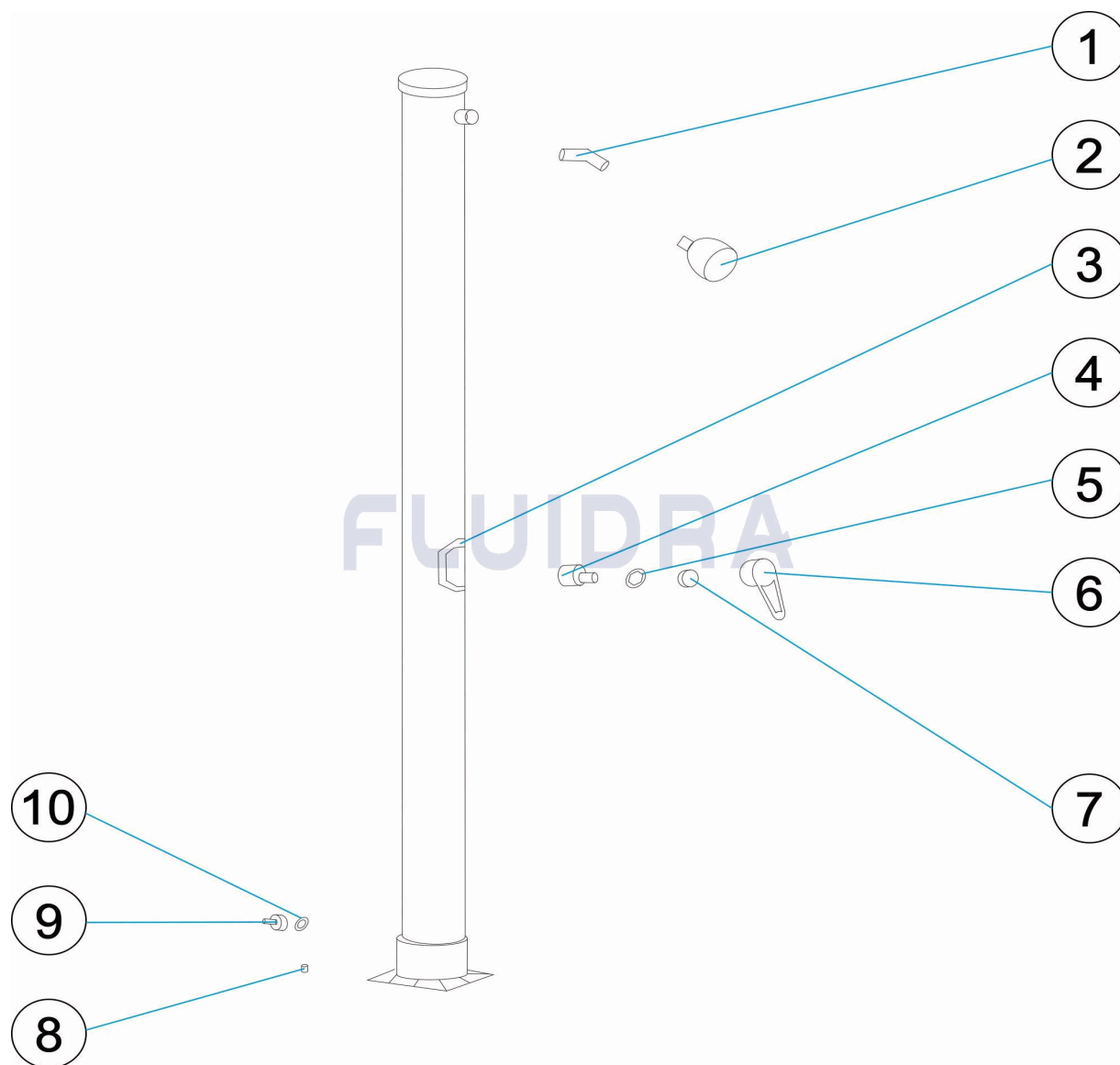
DESCRIPCION: **DUCHA 1 ROCIADOR 1 VALVULA**



ESPAÑOL

POS	CODIGO	DESCRIPCION	CANTIDAD	POS	CODIGO	DESCRIPCION	CANTIDAD
1	40664R0004	CODO		6	40664R0010	POMO DUCHA	
2	40664R0005	PIÑA DUCHA		7	40664R0009	CAPUCHÓN	
3	40664R0006	EMBELLECEDOR		8	40664R0003	TAPÓN DE DRENAJE CON JUNTA TÓRICA	
4	56553R0002	VÁLVULA PARA GRIFO		9	40664R0001	ADAPTADOR DE ENTRADA	
5	40664R0008	TUERCA DE GRIFO		10	40664R0002	JUNTA	

CODE **40664**

 DESCRIPTION: **DOUCHE 1 POMMEAU 1 ROBINET**

FRANCAIS

POS	CODE	DESCRIPTION	QUANTITE	POS	CODE	DESCRIPTION	QUANTITE
1	40664R0004	COUDE	6	40664R0010	POMMEAU		
2	40664R0005	POMMEAU DE DOUCHE	7	40664R0009	CAPUCHON		
3	40664R0006	ENJOLIVEUR	8	40664R0003	BOUCHON DE PURGE + JOINT		
4	56553R0002	VANNE	9	40664R0001	ADAPTATEUR D'ENTRÉE		
5	40664R0008	ROBINET ÉCROU	10	40664R0002	JOINT		

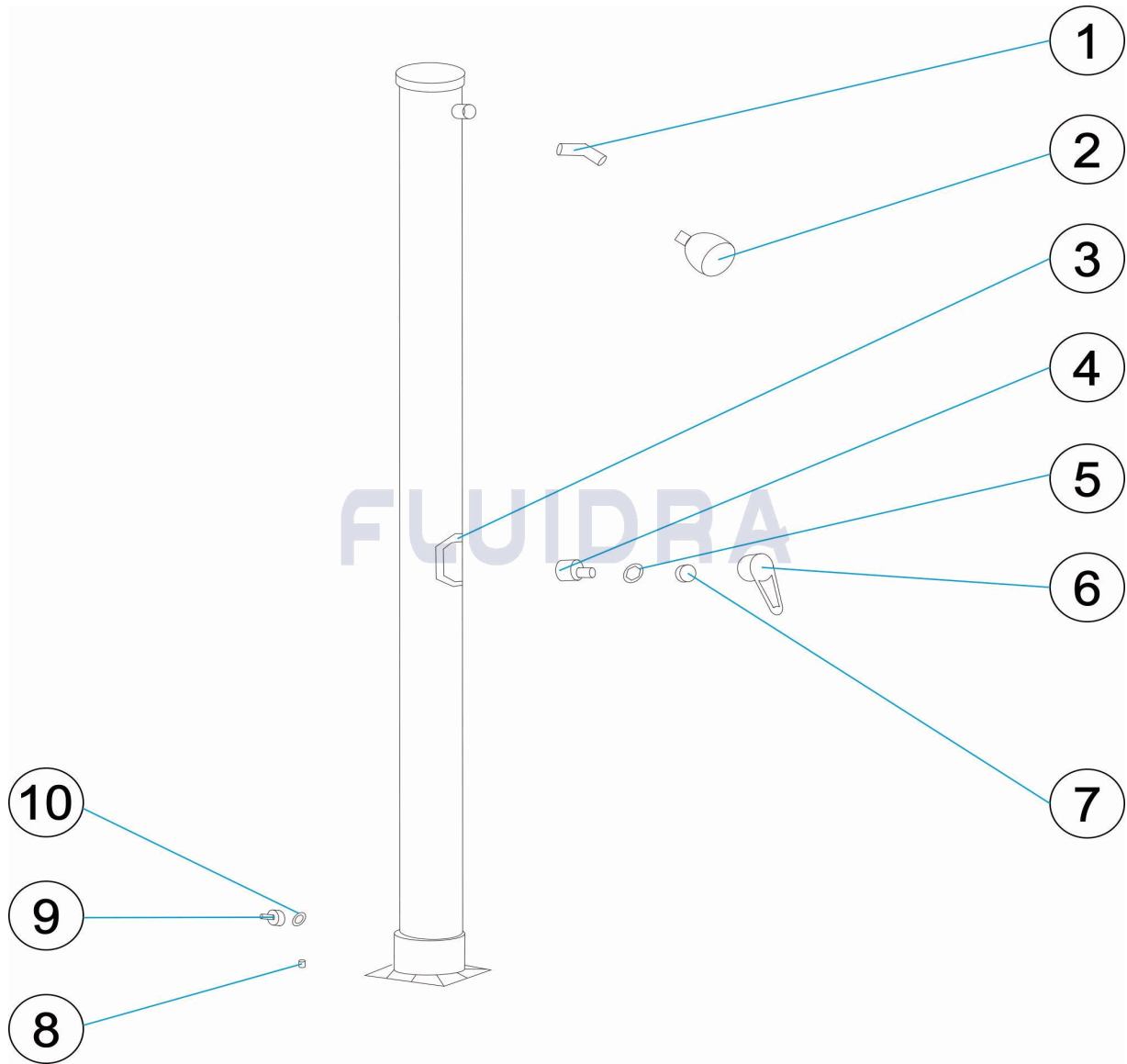
PARTS BREAKDOWN

REV.: 0
DATE: 07/06/2021
SHEET: 3/6

1470

CODE **40664**

DESCRIPTION: **SHOWER 1 SHOWER HEAD 1 VALVE**

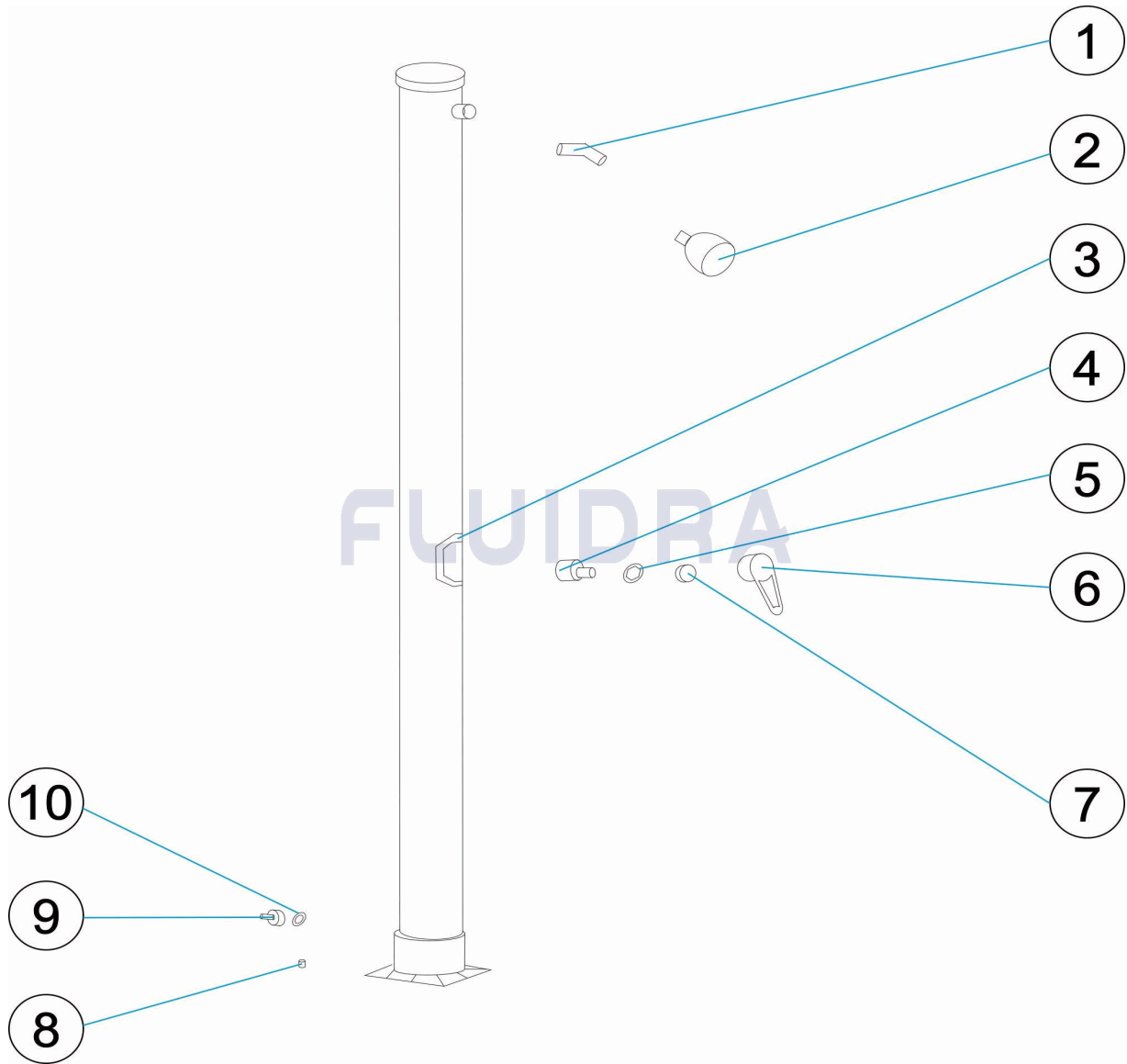


ENGLISH

POS	CODE	DESCRIPTION	QUANTITY	POS	CODE	DESCRIPTION	QUANTITY
1	40664R0004	ELBOW FITTING		6	40664R0010	HANDLE	
2	40664R0005	SHOWER HEAD		7	40664R0009	COVER CAP	
3	40664R0006	WAIST-SHAPED NUT		8	40664R0003	DRAIN PLUG WITH O-RING	
4	56553R0002	FAUCET VALVE		9	40664R0001	INPUT ADAPTER	
5	40664R0008	FAUCET NUT		10	40664R0002	GASKET	

CODICE **40664**

DESCRIZIONE: **DOCCIA 1 SPRUZZATORE 1 VALVOLA**



ITALIANO

POS	CODICE	DESCRIZIONE	QUANTITA'	POS	CODICE	DESCRIZIONE	QUANTITA'
1	40664R0004	GOMITO		6	40664R0010	MANOPOLA	
2	40664R0005	DIFFUSORE DOCCIA		7	40664R0009	CAPPUCCIO	
3	40664R0006	FLANGIA DI RIFINITURA		8	40664R0003	TAPPO DI DRENAGGIO + GUARNIZIONE	
4	56553R0002	VALVOLA		9	40664R0001	ADATTATORE DI INGRESSO	
5	40664R0008	RUBINETTO DADO		10	40664R0002	GUARNIZIONE	

EINZELTEILE

ÜBER.: 0

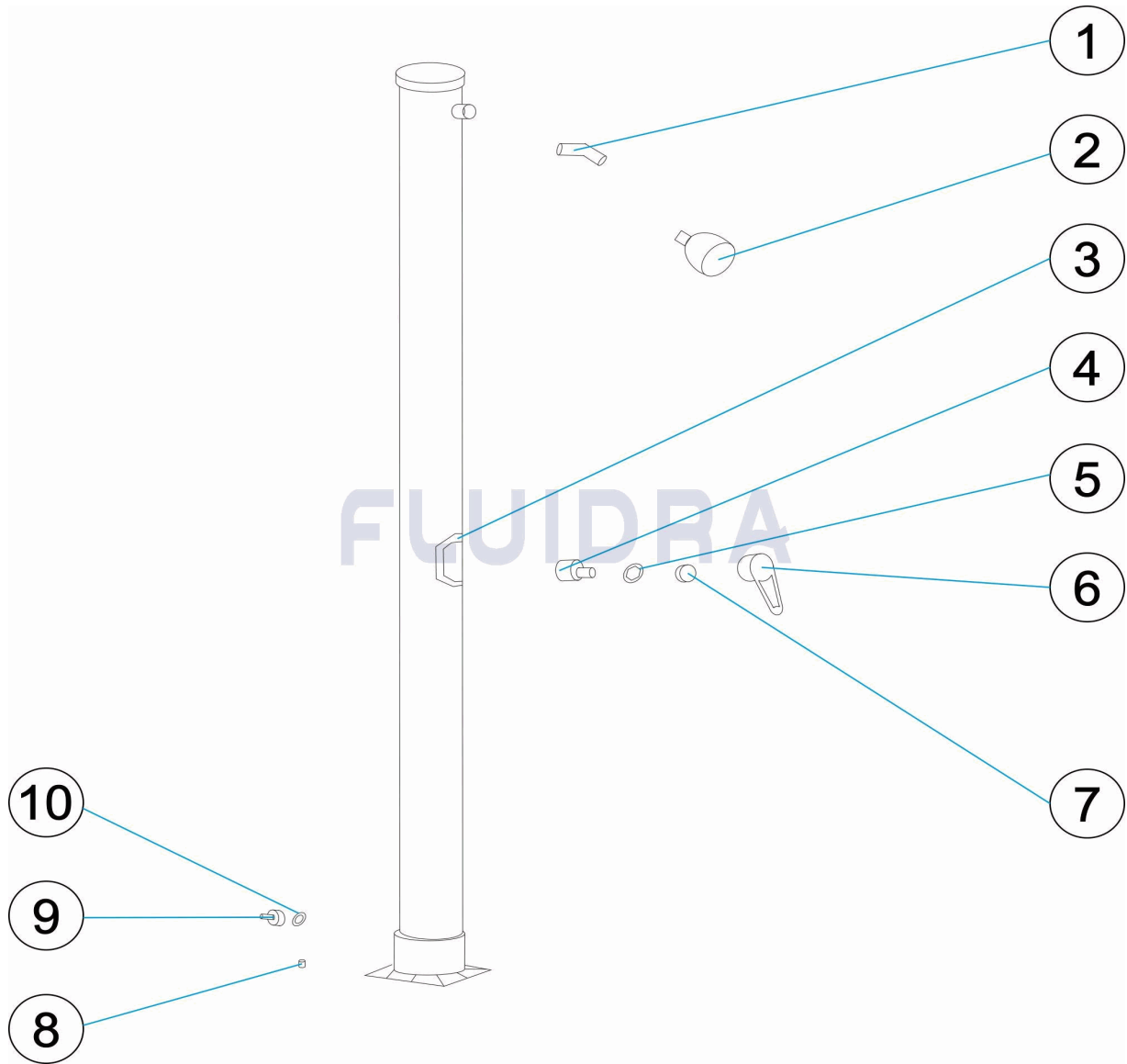
1470

DATUM: 07/06/2021

BLATT: 5/6

CODE **40664**

BESCHREIBUNG: DUSCHE 1 DUSCHKOPF 1 VENTIL



DEUTSCH

POS	CODE	BESCHREIBUNG	MENGE	POS	CODE	BESCHREIBUNG	MENGE
1	40664R0004	WINKEL		6	40664R0010	DREHGRIF DUSCHE	
2	40664R0005	DUSCHKOPF		7	40664R0009	HAUBE	
3	40664R0006	BLLENDE		8	40664R0003	ABLASSSTOPFEN + DICHTUNG	
4	56553R0002	VENTIL		9	40664R0001	EINGANGSADAPTER	
5	40664R0008	WASSERHAHN MUTTER		10	40664R0002	DICHTUNG	

ITEM

REV.: 0

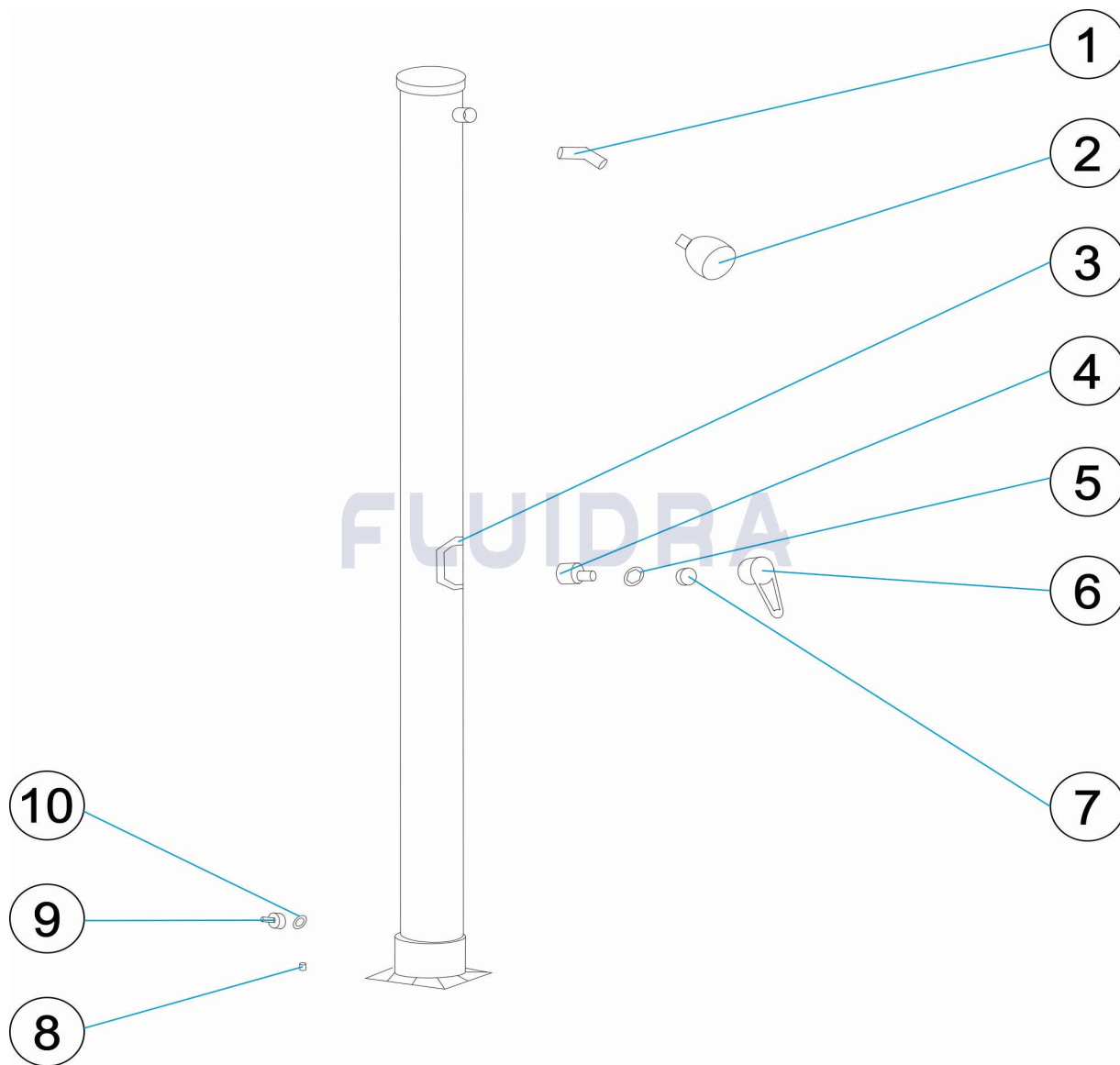
1470

DATA: 07/06/2021

FOLHA: 6/6

CODIGO **40664**

DESCRIÇÃO: **DUCHE 1 DIFUSOR 1 VÁLVULA**



PORTUGUES

POS	CODIGO	DESCRIÇÃO	JANTIDADE	POS	CODIGO	DESCRIÇÃO	JANTIDADE
1	40664R0004	COTOBELÓ		6	40664R0010	PUXADOR	
2	40664R0005	REGADOR CHUVEIRO		7	40664R0009	PROTEÇÃO	
3	40664R0006	EMBELEZADOR		8	40664R0003	TAMPÃO DE PURGA + JUNTA	
4	56553R0002	VALVULA		9	40664R0001	ADAPTADOR DE ENTRADA	
5	40664R0008	TORNEIRA PORCA		10	40664R0002	JUNTA	