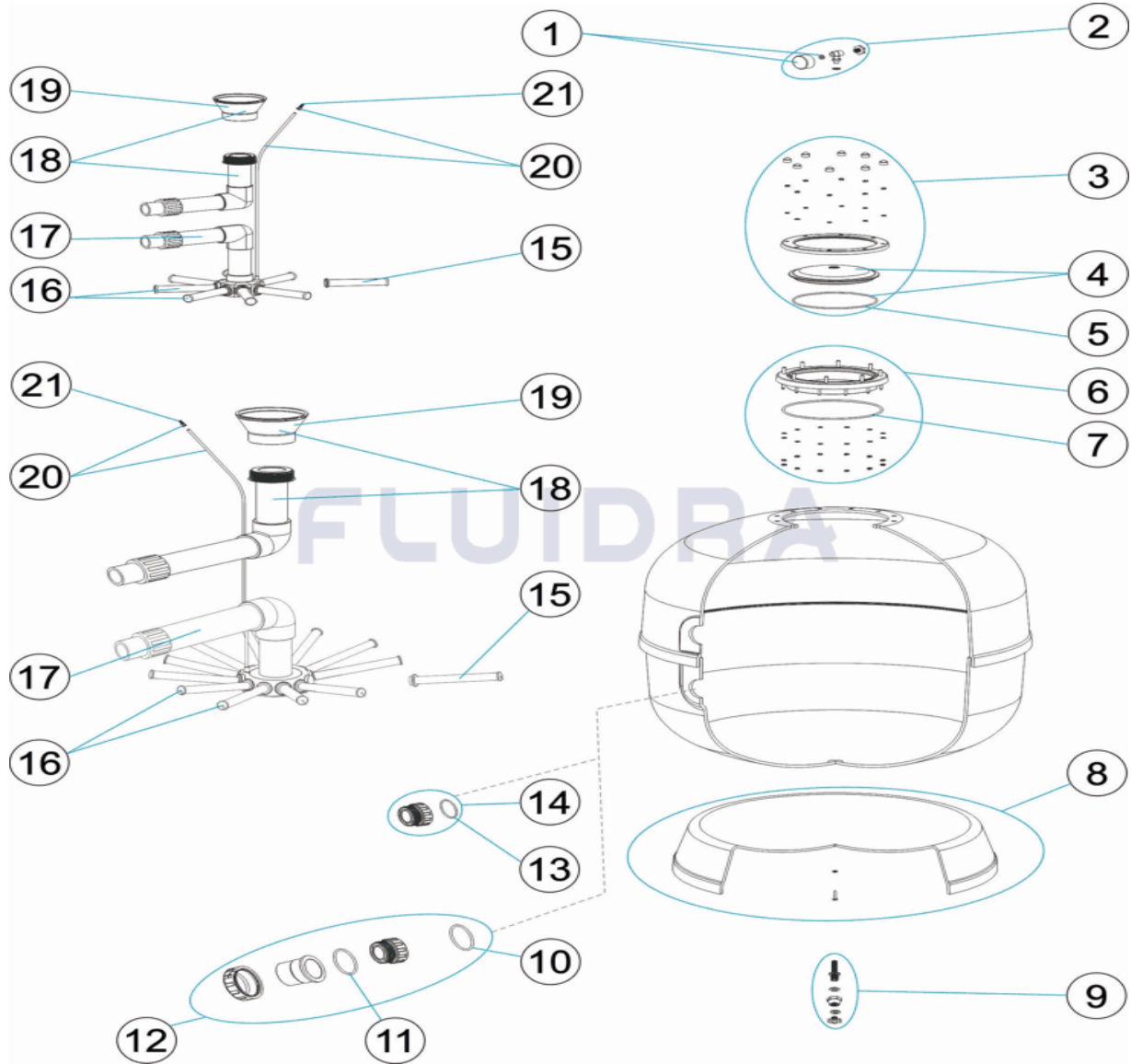


CODIGO 20609, 20610, 20611, 20612, 21583, 20613, 20614, 21584

DESCRIPCION: FILTRO ASTER TAPA TORNILLOS



**ESPAÑOL**

POS	CODIGO	DESCRIPCION	CANTIDAD	POS	CODIGO	DESCRIPCION	CANTIDAD
1	4404010103	MANOMETRO 1/8" 3 KG./C "		11	* 4404302703	JUNTA ENLACE 2 1/2"	
2	4404080104	MANOMETRO COMPLETO		12	* 4404040109	CJTO. SALIDA 2 1/2"	
3	4404190325	GRUPO TAPA TRANSPARENTE		13	* 4404040115	JUNTA TORICA D. 60X8	
4	4404190303	TAPA TRANSPARENTE D. 220 + JUNTA		14	* 4404040103	RACORD 1 1/2" + JUNTA TORIC "	
5	4404260106	JUNTA ARO FIJACION VALVULA		14	* 4404040112	RACORD SALIDA 2" + JUNTA TORIC "	
6	4404160809	ARO CUELLO 20 TORNILLOS		15	* 4404300917	BRAZO COLECTOR 1" 110 M "	
7	4404020116	JUNTA TORICA 255X4		15	* 4404300915	BRAZO COLECTOR 1" 175 M "	
8	* 4404010040	PIE FILTRO D. 350		15	* 4404300916	BRAZO COLECTOR 1" 225 M "	
8	* 4404010088	PIE FILTRO D. 450		15	* 4404290109	BRAZO COLECTOR 1" 265 M "	
8	* 4404010112	PIE FILTRO D.500		16	* 4404010025	CJTO. BRAZOS COLECTOR D. 400	
8	* 4404010166	PIE FILTRO D. 600		16	* 4404010026	CJTO. BRAZOS COLECTOR	
8	* 4404300924	PIE FILTRO D. 750		16	* 4404010028	CJTO. BRAZOS COLECTOR D. 650	
8	* 4404010093	PIE FILTRO D. 950		16	* 4404010048	CJTO. BRAZOS COLECTOR D. 750	

**CODIGO 20609, 20610, 20611, 20612, 21583, 20613, 20614, 21584**

**DESCRIPCION: FILTRO ASTER TAPA TORNILLOS**

9	4404010108	PURGA AGUA 3/8"	17	* 4404010131	CJTO. COLECTOR D. 350
10	* 4404040211	JUNTA TORICA D. 70X5	17	* 4404010132	CJTO. COLECTOR D.450
17	* 4404010114	CJTO. COLECTOR D. 500	18	* 4404010137	CJTO. DIFUSOR ASTER 650
17	* 4404010115	CJTO. COLECTOR D. 600	18	* 4404010120	CJTO. DIFUSOR D. 750
17	* 4404010133	CJTO. COLECTOR D.650	18	* 4404010124	CJTO. DIFUSOR D. 900- 2 1/2" (2008 "
17	* 4404010116	CJTO. COLECTOR D. 750	18	* 4404010123	CJTO. DIFUSOR D. 900- 2"
17	* 4404040127	CJTO. COLECTOR D. 900	19	* 4404301004	CONO DIFUSOR D.50
17	* 4404010117	CJTO. COLECTOR D. 900	19	* 4404300910	CONO DIFUSOR D. 63
18	* 4404010135	CJTO. DIFUSOR ASTER 350	20	* 4404301003	PURGA AIRE + TUBO L=670
18	* 4404010136	CJTO. DIFUSOR ASTER 450	20	* 4404300707	TUBO RIGIDO L-845
18	* 4404010118	CJTO. DIFUSOR D. 500	21	4404040108	PURGA AIRE
18	* 4404010119	CJTO. DIFUSOR D. 600			

**CODIGO 20609, 20610, 20611, 20612, 21583, 20613, 20614, 21584**

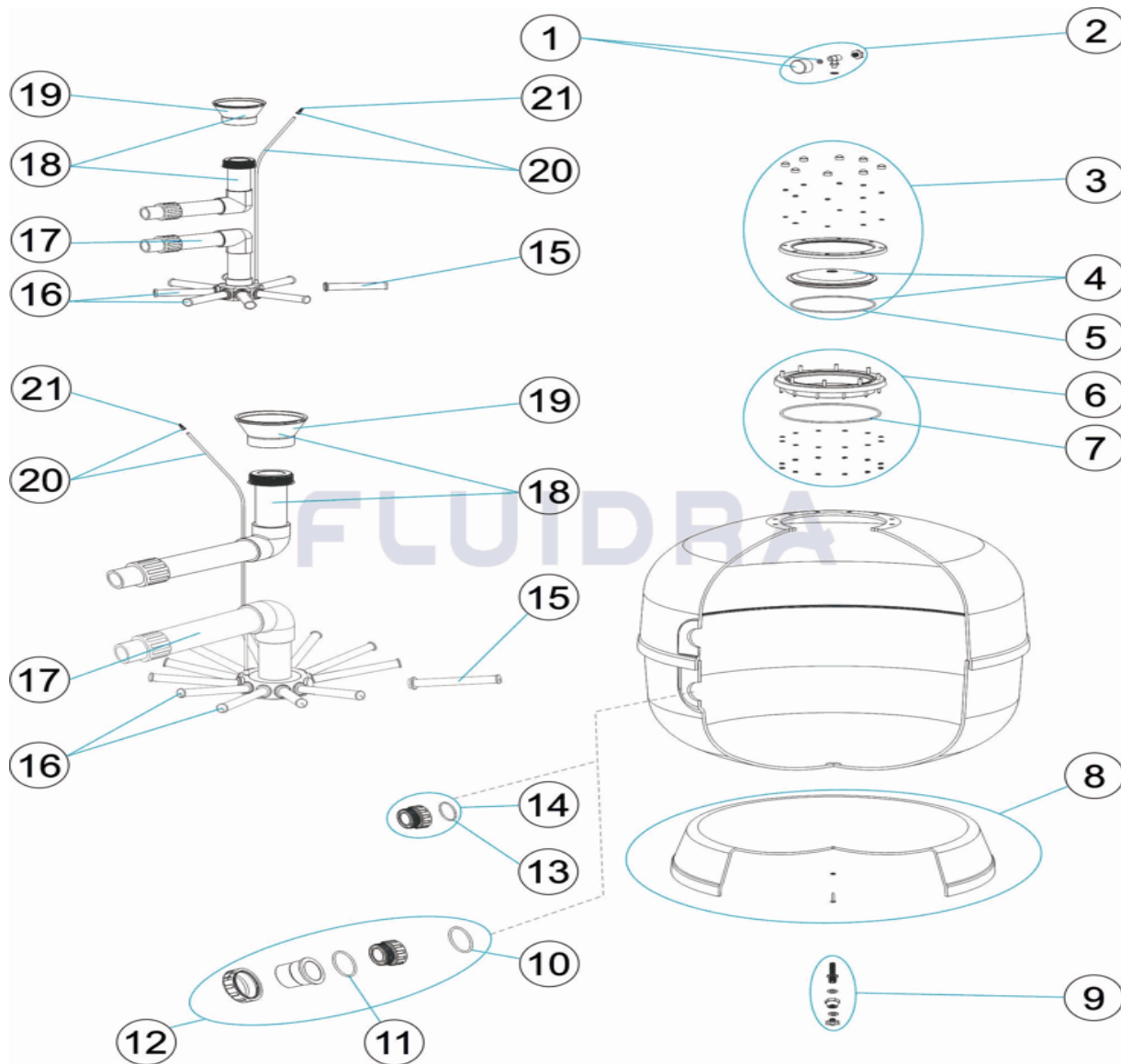
**DESCRIPCION: FILTRO ASTER TAPA TORNILLOS**

## OBSERVACIONES

POS	CODIGO	OBSERVACIONES
8	* 4404010040	PARA: 20609
8	* 4404010088	PARA: 20610
8	* 4404010112	PARA: 20611
8	* 4404010166	PARA: 20612, 21583
8	* 4404300924	PARA: 20613
8	* 4404010093	PARA: 20614, 21584
10	* 4404040211	PARA: 20614
11	* 4404302703	PARA: 20614
12	* 4404040109	PARA: 20614
13	* 4404040115	PARA: 20609, 20610, 20611, 20612, 21583, 20613, 21584
14	* 4404040103	PARA: 20609, 20610, 20611, 20612, 21583
14	* 4404040112	PARA: 20613, 21584
15	* 4404300917	PARA: 20609 [4UT], 20610 [4UT], 20611 [4UT]
15	* 4404300915	PARA: 20612 [4UT], 21583 [4UT]
15	* 4404300916	PARA: 20613 [6UT]
15	* 4404290109	PARA: 20614 [6UT], 21584 [6UT]
16	* 4404010025	PARA: 20609, 20610, 20611
16	* 4404010026	PARA: 20612, 21583
16	* 4404010028	PARA: 20613
16	* 4404010048	PARA: 20614, 21584
17	* 4404010131	PARA: 20609
17	* 4404010132	PARA: 20610
17	* 4404010114	PARA: 20611
17	* 4404010115	PARA: 20612
17	* 4404010133	PARA: 21583
17	* 4404010116	PARA: 20613
17	* 4404040127	PARA: 20614
17	* 4404010117	PARA: 21584
18	* 4404010135	PARA: 20609
18	* 4404010136	PARA: 20610
18	* 4404010118	PARA: 20611
18	* 4404010119	PARA: 20612
18	* 4404010137	PARA: 21583
18	* 4404010120	PARA: 20613
18	* 4404010124	PARA: 20614
18	* 4404010123	PARA: 21584
19	* 4404301004	PARA: 20609, 20610, 20611, 20612, 21583
19	* 4404300910	PARA: 20613, 20614, 21584
20	* 4404301003	PARA: 20609, 20610, 20611, 20612, 21583, 20613
20	* 4404300707	PARA: 20614, 21584

CODE 20609, 20610, 20611, 20612, 21583, 20613, 20614, 21584

DESCRIPTION: FILTRE ASTER COUVERCLE VIS



**FRANCAIS**

POS	CODE	DESCRIPTION	QUANTITE	POS	CODE	DESCRIPTION	QUANTITE
1	4404010103	MANOMETRE 1/8" 3 KG./C "		11	* 4404302703	JOINT 2 1/2"	
2	4404080104	MANOMETRE COMPLET		12	* 4404040109	ENSEMBLE SORTIE 2 1/2"	
3	4404190325	ENSEMBLE COUVERCLE TRANSPARENT		13	* 4404040115	JOINT TORIQUE D 60X8	
4	4404190303	COUVERCLE TRANSPARENT D.220 + JOIN'		14	* 4404040103	RACCORD 1 1/2" + JOINT TORIQU "	
5	4404260106	JOINT BRIDE FIXATION VANNE TOP		14	* 4404040112	RACCORD SORTIE 2" + JOINT TORIQU "	
6	4404160809	BRIDE GORGE 20 VIS		15	* 4404300917	BRAS DE REPARTITEUR 1" 110 M "	
7	4404020116	JOINT TORIQUE 255X4		15	* 4404300915	BRAS DE REPARTITEUR 1" 175 M "	
8	* 4404010040	SOCLE FILTRE D. 350		15	* 4404300916	BRAS DE REPARTITEUR 1" 225 M "	
8	* 4404010088	SOCLE FILTRE D. 450		15	* 4404290109	BRAS DE REPARTITEUR 1" 265 M/M "	
8	* 4404010112	SOCLE FILTRE D. 500		16	* 4404010025	ENSEMBLE BRAS DE REPARTITEUR D. 400	
8	* 4404010166	SOCLE FILTRE D. 600		16	* 4404010026	ENSEMBLE BRAS DE REPARTITEUR	
8	* 4404300924	SOCLE FILTRE D 750		16	* 4404010028	ENSEMBLE BRAS DE REPARTITEUR D. 650	
8	* 4404010093	SOCLE FILTRE D. 950		16	* 4404010048	ENSEMBLE BRAS DE REPARTITEUR D. 750	

CODE **20609, 20610, 20611, 20612, 21583, 20613, 20614, 21584**

DESCRIPTION: **FILTRE ASTER COUVERCLE VIS**

9	4404010108	PURGE D'EAU 3/8"	17	* 4404010131	ENSEMBLE COLLECTEUR D. 350
10	* 4404040211	JOINT TORIQUE D 70X5	17	* 4404010132	ENSEMBLE COLLECTEUR D. 450
17	* 4404010114	ENSEMBLE COLLECTEUR D. 500	18	* 4404010137	ENSEMBLE DIFFUSEUR ASTER D. 650
17	* 4404010115	ENSEMBLE COLLECTEUR D. 600	18	* 4404010120	ENSEMBLE DIFFUSEUR D. 750
17	* 4404010133	ENSEMBLE COLLECTEUR D. 650	18	* 4404010124	ENSEMBLE DIFFUSEUR D. 900 - 2 1/2" (200l)
17	* 4404010116	ENSEMBLE COLLECTEUR D. 750	18	* 4404010123	ENSEMBLE DIFFUSEUR D. 900 - 2"
17	* 4404040127	ENSEMBLE COLLECTEUR D. 900	19	* 4404301004	DIFUSOR CONIQUE SUPÉRIOR D. 50
17	* 4404010117	ENSEMBLE COLLECTEUR D. 900	19	* 4404300910	DIFUSOR CONIQUE SUPÉRIOR D. 63
18	* 4404010135	ENSEMBLE DIFFUSEUR ASTER D. 350	20	* 4404301003	PURGE AIR + TUBE L=670
18	* 4404010136	ENSEMBLE DIFFUSEUR ASTER D. 450	20	* 4404300707	TUBE RIGIDE L-845
18	* 4404010118	ENSEMBLE DIFFUSEUR D. 500	21	4404040108	PURGE D'AIR
18	* 4404010119	ENSEMBLE DIFFUSEUR D. 600			

CODE **20609, 20610, 20611, 20612, 21583, 20613, 20614, 21584**

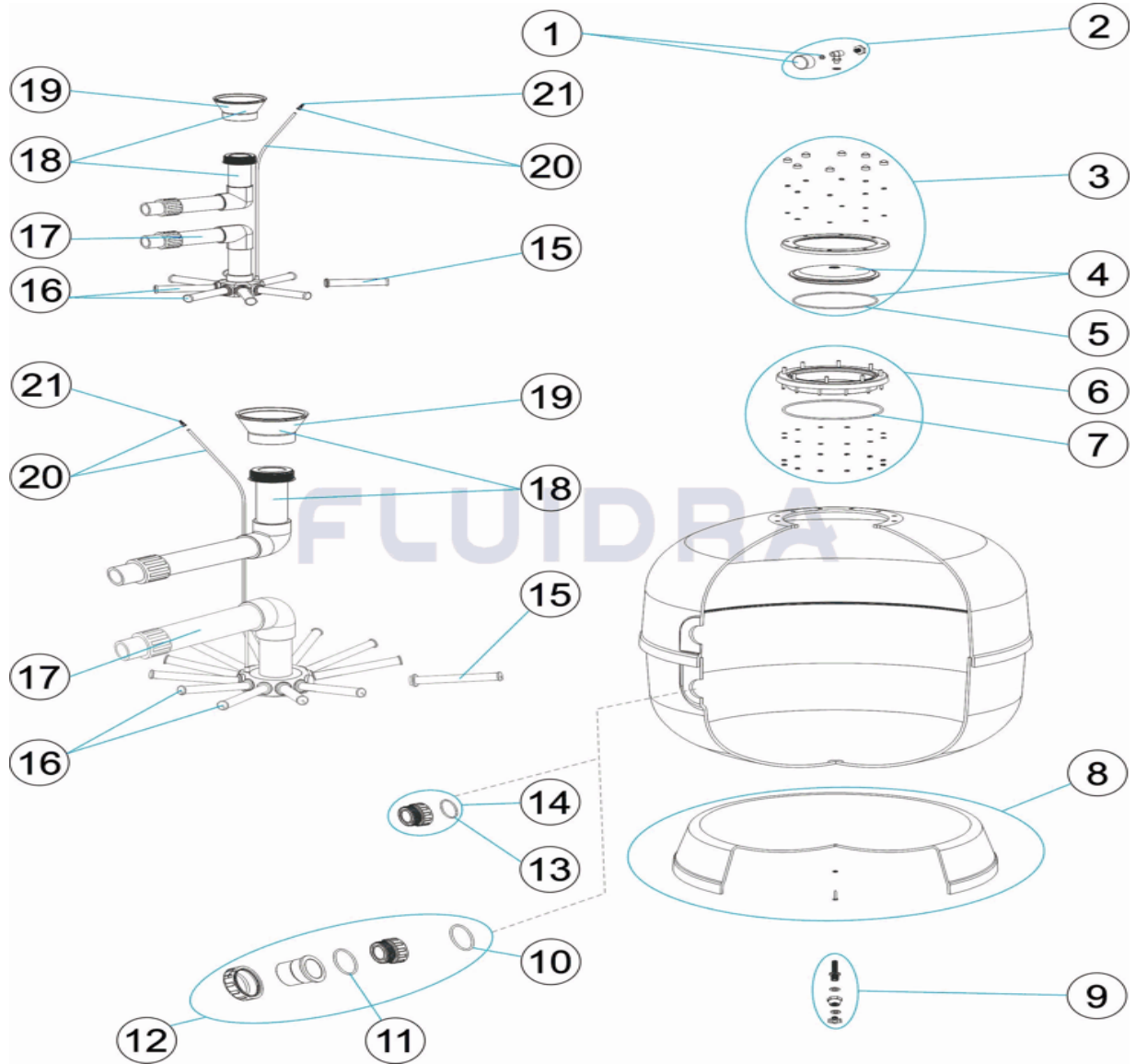
DESCRIPTION: **FILTRE ASTER COUVERCLE VIS**

## OBSERVATIONS

POS	CODE	OBSERVATIONS
8	* 4404010040	POUR: 20609
8	* 4404010088	POUR: 20610
8	* 4404010112	POUR: 20611
8	* 4404010166	POUR: 20612, 21583
8	* 4404300924	POUR: 20613
8	* 4404010093	POUR: 20614, 21584
10	* 4404040211	POUR: 20614
11	* 4404302703	POUR: 20614
12	* 4404040109	POUR: 20614
13	* 4404040115	POUR: 20609, 20610, 20611, 20612, 21583, 20613, 21584
14	* 4404040103	POUR: 20609, 20610, 20611, 20612, 21583
14	* 4404040112	POUR: 20613, 21584
15	* 4404300917	POUR: 20609 [4UT], 20610 [4UT], 20611 [4UT]
15	* 4404300915	POUR: 20612 [4UT], 21583 [4UT]
15	* 4404300916	POUR: 20613 [6UT]
15	* 4404290109	POUR: 20614 [6UT], 21584 [6UT]
16	* 4404010025	POUR: 20609, 20610, 20611
16	* 4404010026	POUR: 20612, 21583
16	* 4404010028	POUR: 20613
16	* 4404010048	POUR: 20614, 21584
17	* 4404010131	POUR: 20609
17	* 4404010132	POUR: 20610
17	* 4404010114	POUR: 20611
17	* 4404010115	POUR: 20612
17	* 4404010133	POUR: 21583
17	* 4404010116	POUR: 20613
17	* 4404040127	POUR: 20614
17	* 4404010117	POUR: 21584
18	* 4404010135	POUR: 20609
18	* 4404010136	POUR: 20610
18	* 4404010118	POUR: 20611
18	* 4404010119	POUR: 20612
18	* 4404010137	POUR: 21583
18	* 4404010120	POUR: 20613
18	* 4404010124	POUR: 20614
18	* 4404010123	POUR: 21584
19	* 4404301004	POUR: 20609, 20610, 20611, 20612, 21583
19	* 4404300910	POUR: 20613, 20614, 21584
20	* 4404301003	POUR: 20609, 20610, 20611, 20612, 21583, 20613
20	* 4404300707	POUR: 20614, 21584

CODE 20609, 20610, 20611, 20612, 21583, 20613, 20614, 21584

DESCRIPTION: SCREWS COVER ASTER FILTER



**ENGLISH**

POS	CODE	DESCRIPTION	QUANTITY	POS	CODE	DESCRIPTION	QUANTITY
1	4404010103	PRESSURE GAUGE 1/8" 3 KG./C "		11	* 4404302703	GASKET 2 1/2"	
2	4404080104	COMPLETE PRESSURE GAUGE UNIT		12	* 4404040109	2 1/2" OUTLET ASSEMBLY	
3	4404190325	KIT TRANSPARENT LID		13	* 4404040115	O' RING D. 60X8	
4	4404190303	TRANSPARENT LID D.220 + 'O' RING		14	* 4404040103	FITTING 1 1/2" + O' RIN "	
5	4404260106	VALVE TOP RING FIXING GASKET		14	* 4404040112	2" OUTLET FITTING + O'RIN "	
6	4404160809	20-SCREW NECK RING		15	* 4404300917	MANIFOLD ARM 1" 110 M "	
7	4404020116	O' RING 255X4		15	* 4404300915	MANIFOLD ARM 1" 175 M "	
8	* 4404010040	FILTER BASE D. 350		15	* 4404300916	MANIFOLD ARM 1" 225 M "	
8	* 4404010088	FILTER BASE D. 450		15	* 4404290109	COLLECTOR ARM 1" 265 M "	
8	* 4404010112	FILTER BASE D. 500		16	* 4404010025	MANIFOLD ARM ASSEMBLY D. 400	
8	* 4404010166	FILTER BASE D. 600		16	* 4404010026	MANIFOLD ARM ASSEMBLY	
8	* 4404300924	FILTER BASE D. 750		16	* 4404010028	MANIFOLD ARM ASSEMBLY D. 650	
8	* 4404010093	FILTER BASE D. 950		16	* 4404010048	MANIFOLD ARM ASSEMBLY D. 750	

CODE                    **20609, 20610, 20611, 20612, 21583, 20613, 20614, 21584**

DESCRIPTION: **SCREWS COVER ASTER FILTER**

9	4404010108	WATER PURGE 3/8"	17	* 4404010131	MANIFOLD ASSEMBLY D. 350
10	* 4404040211	O' RING D. 70X5	17	* 4404010132	MANIFOLD ASSEMBLY D. 450
17	* 4404010114	MANIFOLD ASSEMBLY D. 500	18	* 4404010137	DIFFUSER ASSEMBLY ASTER D. 650
17	* 4404010115	MANIFOLD ASSEMBLY D. 600	18	* 4404010120	DIFFUSER ASSEMBLY D. 750
17	* 4404010133	MANIFOLD ASSEMBLY D. 650	18	* 4404010124	DIFFUSER ASSEMBLY D. 900 2 1/2" (2008 "
17	* 4404010116	MANIFOLD ASSEMBLY D. 750	18	* 4404010123	DIFFUSER ASSEMBLY D. 900 2"
17	* 4404040127	MANIFOLD ASSEMBLY D. 900	19	* 4404301004	DIFFUSER CONE D. 50
17	* 4404010117	MANIFOLD ASSEMBLY D. 900	19	* 4404300910	DIFFUSER CONE D. 63
18	* 4404010135	DIFFUSER ASSEMBLY ASTER D. 350	20	* 4404301003	AIR PURGE + PIPE L=670
18	* 4404010136	DIFFUSER ASSEMBLY ASTER D. 450	20	* 4404300707	RIGID PIPE L-845
18	* 4404010118	DIFFUSER ASSEMBLY D. 500	21	4404040108	AIR PURGE
18	* 4404010119	DIFFUSER ASSEMBLY D. 600			



CODE **20609, 20610, 20611, 20612, 21583, 20613, 20614, 21584**

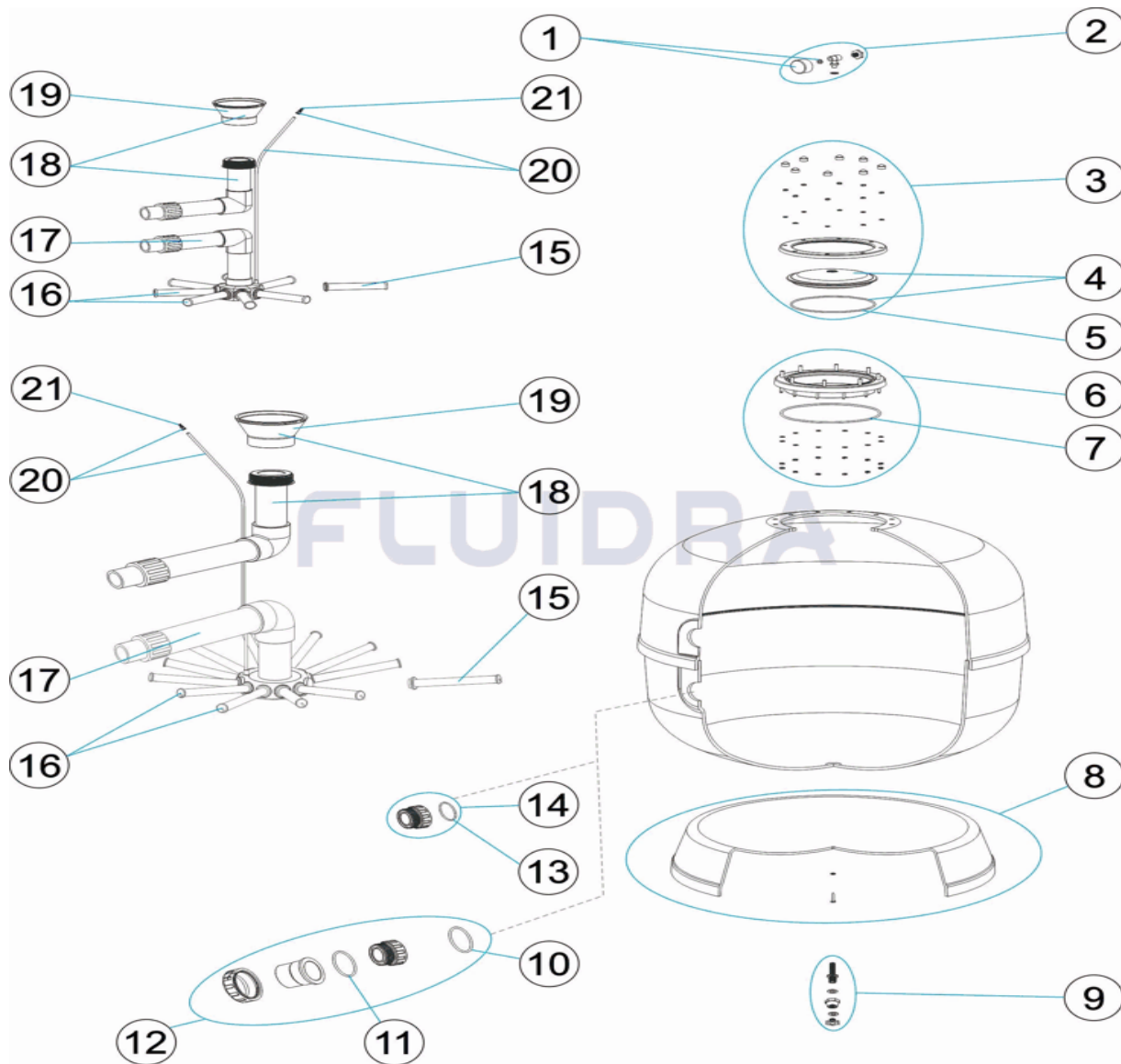
DESCRIPTION: **SCREWS COVER ASTER FILTER**

## OBSERVATIONS

POS	CODE	OBSERVATIONS
8	* 4404010040	FOR: 20609
8	* 4404010088	FOR: 20610
8	* 4404010112	FOR: 20611
8	* 4404010166	FOR: 20612, 21583
8	* 4404300924	FOR: 20613
8	* 4404010093	FOR: 20614, 21584
10	* 4404040211	FOR: 20614
11	* 4404302703	FOR: 20614
12	* 4404040109	FOR: 20614
13	* 4404040115	FOR: 20609, 20610, 20611, 20612, 21583, 20613, 21584
14	* 4404040103	FOR: 20609, 20610, 20611, 20612, 21583
14	* 4404040112	FOR: 20613, 21584
15	* 4404300917	FOR: 20609 [4UT], 20610 [4UT], 20611 [4UT]
15	* 4404300915	FOR: 20612 [4UT], 21583 [4UT]
15	* 4404300916	FOR: 20613 [6UT]
15	* 4404290109	FOR: 20614 [6UT], 21584 [6UT]
16	* 4404010025	FOR: 20609, 20610, 20611
16	* 4404010026	FOR: 20612, 21583
16	* 4404010028	FOR: 20613
16	* 4404010048	FOR: 20614, 21584
17	* 4404010131	FOR: 20609
17	* 4404010132	FOR: 20610
17	* 4404010114	FOR: 20611
17	* 4404010115	FOR: 20612
17	* 4404010133	FOR: 21583
17	* 4404010116	FOR: 20613
17	* 4404040127	FOR: 20614
17	* 4404010117	FOR: 21584
18	* 4404010135	FOR: 20609
18	* 4404010136	FOR: 20610
18	* 4404010118	FOR: 20611
18	* 4404010119	FOR: 20612
18	* 4404010137	FOR: 21583
18	* 4404010120	FOR: 20613
18	* 4404010124	FOR: 20614
18	* 4404010123	FOR: 21584
19	* 4404301004	FOR: 20609, 20610, 20611, 20612, 21583
19	* 4404300910	FOR: 20613, 20614, 21584
20	* 4404301003	FOR: 20609, 20610, 20611, 20612, 21583, 20613
20	* 4404300707	FOR: 20614, 21584

CODICE 20609, 20610, 20611, 20612, 21583, 20613, 20614, 21584

DESCRIZIONE: FILTRO ASTER COPERCHIO VITI



**ITALIANO**

POS	CODICE	DESCRIZIONE	QUANTITA'	POS	CODICE	DESCRIZIONE	QUANTITA'
1	4404010103	MANOMETRO 1/8" 3 KG./C "		11	* 4404302703	GUARNIZIONE D.2 1/2"	
2	4404080104	MANOMETRO COMPLETO		12	* 4404040109	KIT USCITA 2 1/2"	
3	4404190325	GRUPPO COPERCHIO TRASPARENTE		13	* 4404040115	O-RING D 60X8	
4	4404190303	COPERCHIO TRASPARENTE D.220 + O-R		14	* 4404040103	RACCORDO 1 1/2" + O-RIN "	
5	4404260106	GUARNIZIONE FLANGIA FISSAGIO VALVOL		14	* 4404040112	RACCORDO USCITA 2" + O-RING	
6	4404160809	ANELLO COLLO 20 VITI		15	* 4404300917	CANDELOTTO COLLECTORE 1" 110 M "	
7	4404020116	O-RING 255X4		15	* 4404300915	CANDELOTTO COLLECTORE 1" 175 M "	
8	* 4404010040	BASE FILTRO D. 350		15	* 4404300916	CANDELOTTO COLLECTORE 1" 225 M "	
8	* 4404010088	BASE FILTRO D. 450		15	* 4404290109	CANDELOTTO 1" 265 M/M "	
8	* 4404010112	BASE FILTRO D. 500		16	* 4404010025	GRUPPO CANDELOTTO COLLECTORE D. 4	
8	* 4404010166	BASE FILTRO D. 600		16	* 4404010026	GRUPPO CANDELOTTO COLLECTORE	
8	* 4404300924	BASE FILTRO D 750		16	* 4404010028	GRUPPO CANDELOTTO COLLECTORE D. 6	
8	* 4404010093	BASE FILTRO D. 950		16	* 4404010048	GRUPPO CANDELOTTO COLLECTORE D. 7	

**CODICE 20609, 20610, 20611, 20612, 21583, 20613, 20614, 21584**

**DESCRIZIONE: FILTRO ASTER COPERCHIO VITI**

9	4404010108	SCARICO ACQUA 3/8"	17	* 4404010131	KIT COLLETTORE D. 350
10	* 4404040211	O-RING D 70X5	17	* 4404010132	KIT COLLETTORE D. 450
17	* 4404010114	KIT COLLETTORE D. 500	18	* 4404010137	RACCORDO DIFFUSORE ASTER D. 650
17	* 4404010115	KIT COLLETTORE D. 600	18	* 4404010120	RACCORDO DIFFUSORE D. 750
17	* 4404010133	KIT COLLETTORE D. 650	18	* 4404010124	RACCORDO DIFFUSORE D. 900 - 2 1/2" (20C
17	* 4404010116	KIT COLLETTORE D. 750	18	* 4404010123	RACCORDO DIFFUSORE D. 900 - 2"
17	* 4404040127	KIT COLLETTORE D. 900	19	* 4404301004	CONO DIFFUSORE D. 50
17	* 4404010117	KIT COLLETTORE D. 900	19	* 4404300910	CONO DIFFUSORE D. 63
18	* 4404010135	RACCORDO DIFFUSORE ASTER D. 350	20	* 4404301003	SPURGO ARIA + TUBO L=670
18	* 4404010136	RACCORDO DIFFUSORE ASTER D. 450	20	* 4404300707	TUBO RIGIDO L-845
18	* 4404010118	RACCORDO DIFFUSORE D. 500	21	4404040108	SFIATO ARIA
18	* 4404010119	RACCORDO DIFFUSORE D. 600			

CODICE                    **20609, 20610, 20611, 20612, 21583, 20613, 20614, 21584**

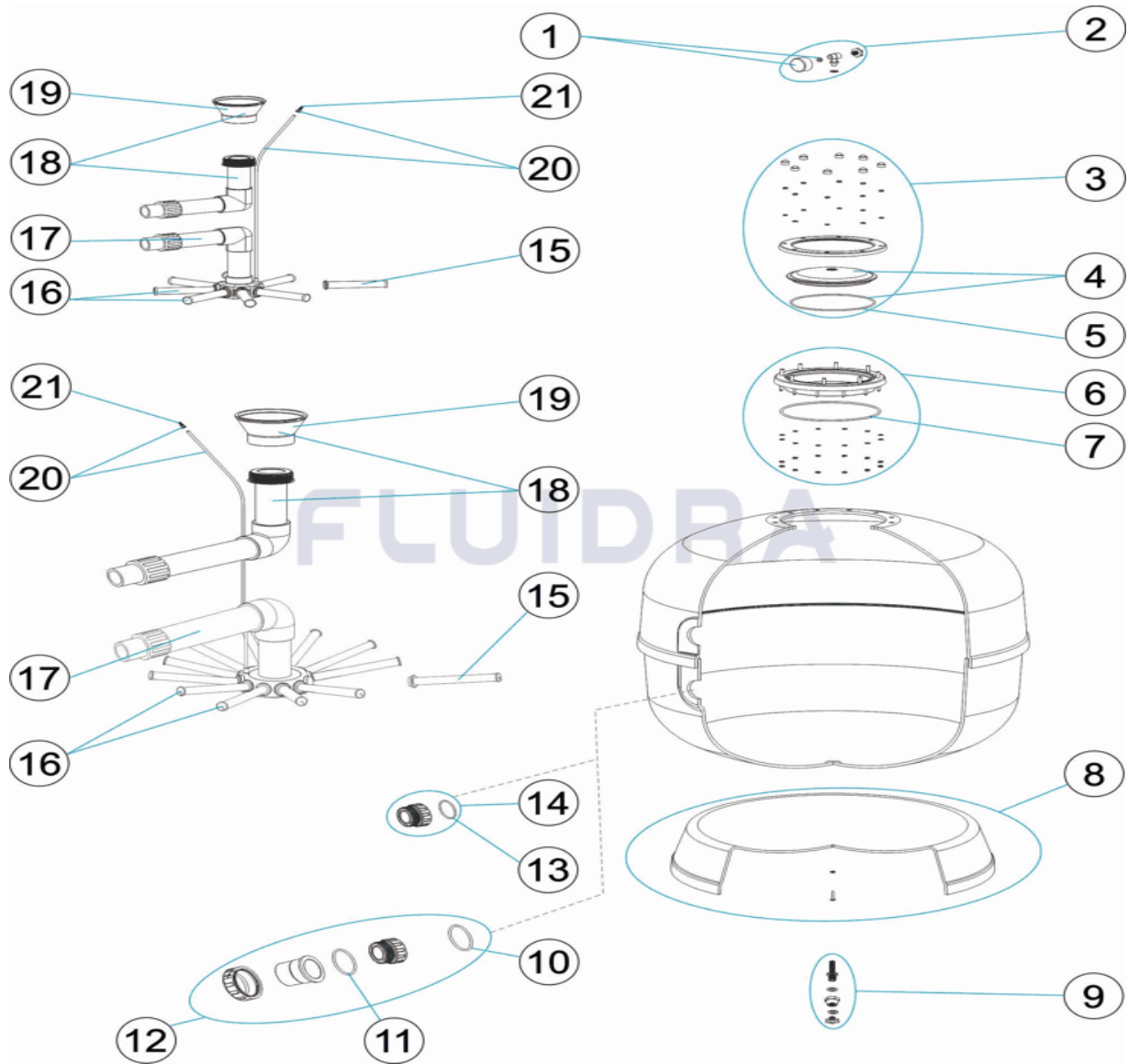
DESCRIZIONE: **FILTRO ASTER COPERCHIO VITI**

## OSSERVAZIONI

POS	CODICE	OSSERVAZIONI
8	* 4404010040	PER: 20609
8	* 4404010088	PER: 20610
8	* 4404010112	PER: 20611
8	* 4404010166	PER: 20612, 21583
8	* 4404300924	PER: 20613
8	* 4404010093	PER: 20614, 21584
10	* 4404040211	PER: 20614
11	* 4404302703	PER: 20614
12	* 4404040109	PER: 20614
13	* 4404040115	PER: 20609, 20610, 20611, 20612, 21583, 20613, 21584
14	* 4404040103	PER: 20609, 20610, 20611, 20612, 21583
14	* 4404040112	PER: 20613, 21584
15	* 4404300917	PER: 20609 [4UT], 20610 [4UT], 20611 [4UT]
15	* 4404300915	PER: 20612 [4UT], 21583 [4UT]
15	* 4404300916	PER: 20613 [6UT]
15	* 4404290109	PER: 20614 [6UT], 21584 [6UT]
16	* 4404010025	PER: 20609, 20610, 20611
16	* 4404010026	PER: 20612, 21583
16	* 4404010028	PER: 20613
16	* 4404010048	PER: 20614, 21584
17	* 4404010131	PER: 20609
17	* 4404010132	PER: 20610
17	* 4404010114	PER: 20611
17	* 4404010115	PER: 20612
17	* 4404010133	PER: 21583
17	* 4404010116	PER: 20613
17	* 4404040127	PER: 20614
17	* 4404010117	PER: 21584
18	* 4404010135	PER: 20609
18	* 4404010136	PER: 20610
18	* 4404010118	PER: 20611
18	* 4404010119	PER: 20612
18	* 4404010137	PER: 21583
18	* 4404010120	PER: 20613
18	* 4404010124	PER: 20614
18	* 4404010123	PER: 21584
19	* 4404301004	PER: 20609, 20610, 20611, 20612, 21583
19	* 4404300910	PER: 20613, 20614, 21584
20	* 4404301003	PER: 20609, 20610, 20611, 20612, 21583, 20613
20	* 4404300707	PER: 20614, 21584

CODE 20609, 20610, 20611, 20612, 21583, 20613, 20614, 21584

BESCHREIBUNG: FILTER ASTER SCHRAUBEN



**DEUTSCH**

POS	CODE	BESCHREIBUNG	MENGE	POS	CODE	BESCHREIBUNG	MENGE
1	4404010103	MANOMETER 1/8" 3 KG/C "		11	* 4404302703	DICHTUNG ANSCHLUSS 2 1/2"	
2	4404080104	MANOMETER KOMPLETT		12	* 4404040109	SET AUSGANG 2 1/2"	
3	4404190325	GRUPPE ABDECKUNG TRANSPARENT		13	* 4404040115	O-RING D. 60 X 8	
4	4404190303	ABDECKUNG TRANSPARENT D. 220 UND L		14	* 4404040103	GEWINDESTÜCK 1 1/2" UND O-RIN "	
5	4404260106	DICHTUNG FIXIERRING VENTIL		14	* 4404040112	GEWINDESTÜCK AUSGANG 2" UND O-RIN '	
6	4404160809	FILTERRING 20 SCHRAUBEN		15	* 4404300917	FILTERSTERN-SCHLITZROHR 1" 110 M "	
7	4404020116	O-RING 255 X 4		15	* 4404300915	FILTERSTERN-SCHLITZROHR 1" 175 M "	
8	* 4404010040	FILTERFUSS D. 350		15	* 4404300916	FILTERSTERN-SCHLITZROHR 1" 225 M "	
8	* 4404010088	FILTERFUSS D. 450		15	* 4404290109	FILTERSTERN-SCHLITZROHR 1" 265 M "	
8	* 4404010112	FILTERFUSS D. 500		16	* 4404010025	SET FILTERSTERN-SCHLITZROHR D. 400	
8	* 4404010166	FILTERFUSS D. 600		16	* 4404010026	SET FILTERSTERN-SCHLITZROHR	
8	* 4404300924	FILTERFUSS D. 750		16	* 4404010028	SET FILTERSTERN-SCHLITZROHR D. 650	
8	* 4404010093	FILTERFUSS D. 950		16	* 4404010048	SET FILTERSTERN-SCHLITZROHR D. 750	

CODE **20609, 20610, 20611, 20612, 21583, 20613, 20614, 21584**

BESCHREIBUNG: **FILTER ASTER SCHRAUBEN**

9	4404010108	WASSERABLASS 3/8"	17	* 4404010131	SAMMELROHRSET D. 350
10	* 4404040211	O-RING D. 70 X 5	17	* 4404010132	SAMMELROHRSET D. 450
17	* 4404010114	SAMMELROHRSET D. 500	18	* 4404010137	SET WASSERVERTEILER ASTER 650
17	* 4404010115	SAMMELROHRSET D. 600	18	* 4404010120	SET WASSERVERTEILER D. 750
17	* 4404010133	SAMMELROHRSET D. 650	18	* 4404010124	SET WASSERVERTEILER D. 900 - 2 1/2" (20l
17	* 4404010116	SAMMELROHRSET D. 750	18	* 4404010123	SET WASSERVERTEILER D. 900 - 2"
17	* 4404040127	SAMMELROHRSET D. 900	19	* 4404301004	KEGEL WASSERVERTEILER D. 50
17	* 4404010117	SAMMELROHRSET D. 900	19	* 4404300910	KEGEL WASSERVERTEILER D. 63
18	* 4404010135	SET WASSERVERTEILER ASTER 350	20	* 4404301003	ENTLÜFTUNG UND ROHR L=670
18	* 4404010136	SET WASSERVERTEILER ASTER 450	20	* 4404300707	ROHR HART L - 845
18	* 4404010118	SET WASSERVERTEILER D. 500	21	4404040108	ENTLÜFTUNG
18	* 4404010119	SET WASSERVERTEILER D. 600			

CODE **20609, 20610, 20611, 20612, 21583, 20613, 20614, 21584**

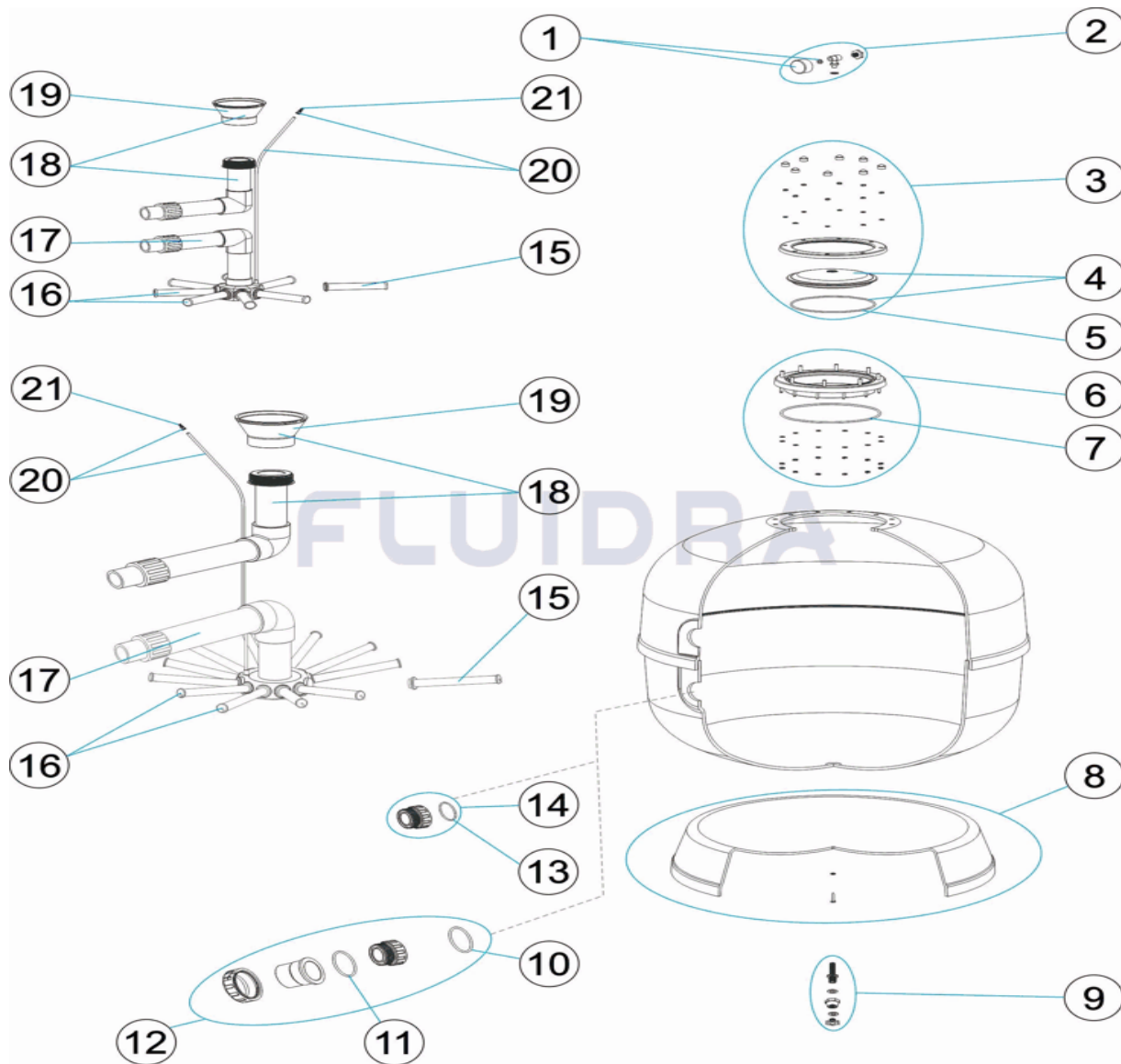
BESCHREIBUNG: **FILTER ASTER SCHRAUBEN**

## HINWEISE

POS	CODE	HINWEISE
8	* 4404010040	FÜR: 20609
8	* 4404010088	FÜR: 20610
8	* 4404010112	FÜR: 20611
8	* 4404010166	FÜR: 20612, 21583
8	* 4404300924	FÜR: 20613
8	* 4404010093	FÜR: 20614, 21584
10	* 4404040211	FÜR: 20614
11	* 4404302703	FÜR: 20614
12	* 4404040109	FÜR: 20614
13	* 4404040115	FÜR: 20609, 20610, 20611, 20612, 21583, 20613, 21584
14	* 4404040103	FÜR: 20609, 20610, 20611, 20612, 21583
14	* 4404040112	FÜR: 20613, 21584
15	* 4404300917	FÜR: 20609 [4UT], 20610 [4UT], 20611 [4UT]
15	* 4404300915	FÜR: 20612 [4UT], 21583 [4UT]
15	* 4404300916	FÜR: 20613 [6UT]
15	* 4404290109	FÜR: 20614 [6UT], 21584 [6UT]
16	* 4404010025	FÜR: 20609, 20610, 20611
16	* 4404010026	FÜR: 20612, 21583
16	* 4404010028	FÜR: 20613
16	* 4404010048	FÜR: 20614, 21584
17	* 4404010131	FÜR: 20609
17	* 4404010132	FÜR: 20610
17	* 4404010114	FÜR: 20611
17	* 4404010115	FÜR: 20612
17	* 4404010133	FÜR: 21583
17	* 4404010116	FÜR: 20613
17	* 4404040127	FÜR: 20614
17	* 4404010117	FÜR: 21584
18	* 4404010135	FÜR: 20609
18	* 4404010136	FÜR: 20610
18	* 4404010118	FÜR: 20611
18	* 4404010119	FÜR: 20612
18	* 4404010137	FÜR: 21583
18	* 4404010120	FÜR: 20613
18	* 4404010124	FÜR: 20614
18	* 4404010123	FÜR: 21584
19	* 4404301004	FÜR: 20609, 20610, 20611, 20612, 21583
19	* 4404300910	FÜR: 20613, 20614, 21584
20	* 4404301003	FÜR: 20609, 20610, 20611, 20612, 21583, 20613
20	* 4404300707	FÜR: 20614, 21584

CODIGO 20609, 20610, 20611, 20612, 21583, 20613, 20614, 21584

DESCRIÇÃO: FILTRO ASTER TAMPA PARAFUSOS



**PORTUGUES**

POS	CODIGO	DESCRIÇÃO	JANTIDADE	POS	CODIGO	DESCRIÇÃO	JANTIDADE
1	4404010103	MANOMETRO 1/8" 3 KG./C "		11	* 4404302703	JUNTA 2 1/2"	
2	4404080104	MANÓMETRO COMPLETO		12	* 4404040109	CONJUNTO SAÍDA 2 ½"	
3	4404190325	CONJUNTO TAMPA TRANSPARENTE		13	* 4404040115	JUNTA TÓRICA D 60X8	
4	4404190303	TAMPA TRANSPARENTE D.220 + JUNTA		14	* 4404040103	RACORD 1 1/2" JUNTA TORIC "	
5	4404260106	JUNTA ARO FIXAÇÃO VALVULA TOP		14	* 4404040112	ACOPLADOR SAÍDA 2" + JUNTA TORIC "	
6	4404160809	ARO PESCOCOÇO 20 PARAFUSOS		15	* 4404300917	BRAÇO COLECTOR 1" 110 M "	
7	4404020116	JUNTA TÓRICA 255X4		15	* 4404300915	BRAÇO COLECTOR 1" 175 M "	
8	* 4404010040	PÉ FILTRO D. 350		15	* 4404300916	BRAÇO COLECTOR 1" 225 M "	
8	* 4404010088	PÉ FILTRO D. 450		15	* 4404290109	BRAÇO COLECTOR 1" 265 M/M "	
8	* 4404010112	PÉ FILTRO D. 500		16	* 4404010025	CJTO. BRAÇO COLECTOR D. 400	
8	* 4404010166	PÉ FILTRO D. 600		16	* 4404010026	CJTO. BRAÇO COLECTOR	
8	* 4404300924	PÉ FILTRO D 750		16	* 4404010028	CJTO. BRAÇO COLECTOR D.650	
8	* 4404010093	PÉ FILTRO D. 950		16	* 4404010048	CJTO. BRAÇO COLECTOR D. 750	



**CODIGO 20609, 20610, 20611, 20612, 21583, 20613, 20614, 21584**

**DESCRIÇÃO: FILTRO ASTER TAMPA PARAFUSOS**

9	4404010108	PURGA AGUA 3/8"	17	* 4404010131	CJTO. COLECTOR D. 350
10	* 4404040211	JUNTA TÓRICA D 70X5	17	* 4404010132	CJTO. COLECTOR D. 450
17	* 4404010114	CJTO. COLECTOR D. 500	18	* 4404010137	CJTO. DIFUSOR ASTER D. 650
17	* 4404010115	CJTO. COLECTOR D. 600	18	* 4404010120	CJTO. DIFUSOR D. 750
17	* 4404010133	CJTO. COLECTOR D. 650	18	* 4404010124	CJTO. DIFUSOR D. 900 - 2 1/2" (2008 "
17	* 4404010116	CJTO. COLECTOR D. 750	18	* 4404010123	CJTO. DIFUSOR D. 900 - 2"
17	* 4404040127	CJTO. COLECTOR D. 900	19	* 4404301004	CONO DIFUSOR D. 50
17	* 4404010117	CJTO. COLECTOR D. 900	19	* 4404300910	CONO DIFUSOR D. 63
18	* 4404010135	CJTO. DIFUSOR ASTER D. 350	20	* 4404301003	PURGA AR + TUBO L=670
18	* 4404010136	CJTO. DIFUSOR ASTER D. 450	20	* 4404300707	TUBO RÍGIDO L-845
18	* 4404010118	CJTO. DIFUSOR D. 500	21	4404040108	PURGA AREIA
18	* 4404010119	CJTO. DIFUSOR D. 600			

**CODIGO 20609, 20610, 20611, 20612, 21583, 20613, 20614, 21584**

**DESCRIÇÃO: FILTRO ASTER TAMPA PARAFUSOS**

## OBSERVAÇÕES

POS	CODIGO	OBSERVAÇÕES
8	* 4404010040	PARA: 20609
8	* 4404010088	PARA: 20610
8	* 4404010112	PARA: 20611
8	* 4404010166	PARA: 20612, 21583
8	* 4404300924	PARA: 20613
8	* 4404010093	PARA: 20614, 21584
10	* 4404040211	PARA: 20614
11	* 4404302703	PARA: 20614
12	* 4404040109	PARA: 20614
13	* 4404040115	PARA: 20609, 20610, 20611, 20612, 21583, 20613, 21584
14	* 4404040103	PARA: 20609, 20610, 20611, 20612, 21583
14	* 4404040112	PARA: 20613, 21584
15	* 4404300917	PARA: 20609 [4UT], 20610 [4UT], 20611 [4UT]
15	* 4404300915	PARA: 20612 [4UT], 21583 [4UT]
15	* 4404300916	PARA: 20613 [6UT]
15	* 4404290109	PARA: 20614 [6UT], 21584 [6UT]
16	* 4404010025	PARA: 20609, 20610, 20611
16	* 4404010026	PARA: 20612, 21583
16	* 4404010028	PARA: 20613
16	* 4404010048	PARA: 20614, 21584
17	* 4404010131	PARA: 20609
17	* 4404010132	PARA: 20610
17	* 4404010114	PARA: 20611
17	* 4404010115	PARA: 20612
17	* 4404010133	PARA: 21583
17	* 4404010116	PARA: 20613
17	* 4404040127	PARA: 20614
17	* 4404010117	PARA: 21584
18	* 4404010135	PARA: 20609
18	* 4404010136	PARA: 20610
18	* 4404010118	PARA: 20611
18	* 4404010119	PARA: 20612
18	* 4404010137	PARA: 21583
18	* 4404010120	PARA: 20613
18	* 4404010124	PARA: 20614
18	* 4404010123	PARA: 21584
19	* 4404301004	PARA: 20609, 20610, 20611, 20612, 21583
19	* 4404300910	PARA: 20613, 20614, 21584
20	* 4404301003	PARA: 20609, 20610, 20611, 20612, 21583, 20613
20	* 4404300707	PARA: 20614, 21584