

DESPIECE

REV.: 0

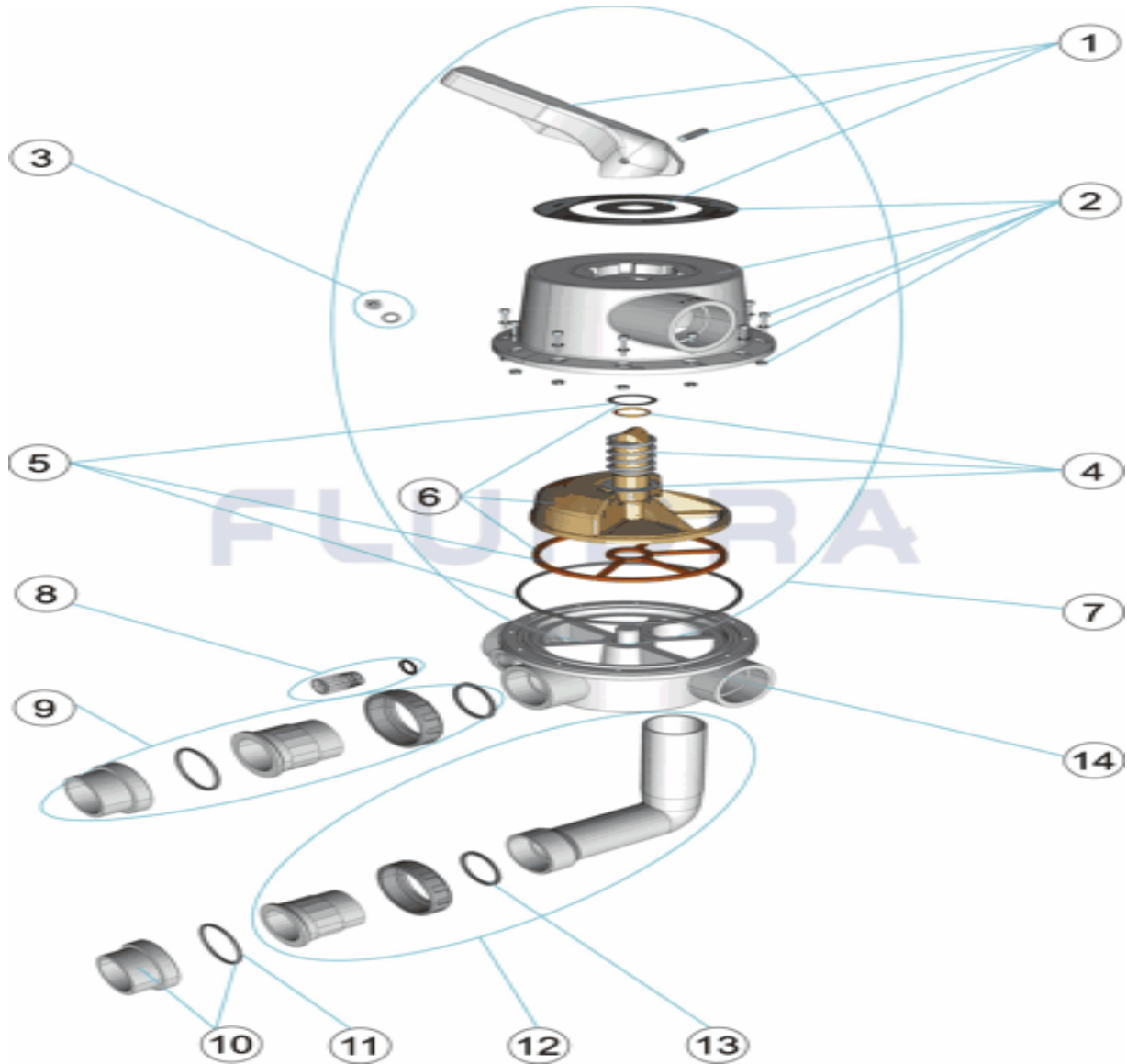
1459

FECHA: 24/05/2021

HOJA: 1/6

CODIGO 16243

DESCRIPCION: VALVULA SELECTORA 2 1/2"



ESPAÑOL

POS	CODIGO	DESCRIPCION	CANTIDAD	POS	CODIGO	DESCRIPCION	CANTIDAD
1	4404120701	MANETA NEGRA 2 1/2"		8	4404120014	VISOR CON JUNTA MIDA	
2	4404121302	TAPA VALVULA 2 1/2"		9	4404121308	ENLACE RECTO 2 1/2"	
3	4404120081	TAPON 1/4"		10	4404121002	MANGUITO EXTERIOR 75 CON JUNTA	
4	4404120703	RESORTE CON ARANDELAS 2 1/2"		11	4404121301	JUNTA ENLACE 2 1/2"	
5	4404120705	JUNTAS VALVULA 2 1/2"		12	4404121309	ENLACE ACODADO 2 1/2"	
6	4404120704	DISTRIBUIDOR CON JUNTAS 2 1/2"		13	4404121303	JUNTA PLANA 72X61X3,5	
7	4404120089	CJTO. SUPERIOR 2 1/2"		14	24837R0101	CUERPO VALVULA SELECTORA 2 1/2" P3/N	

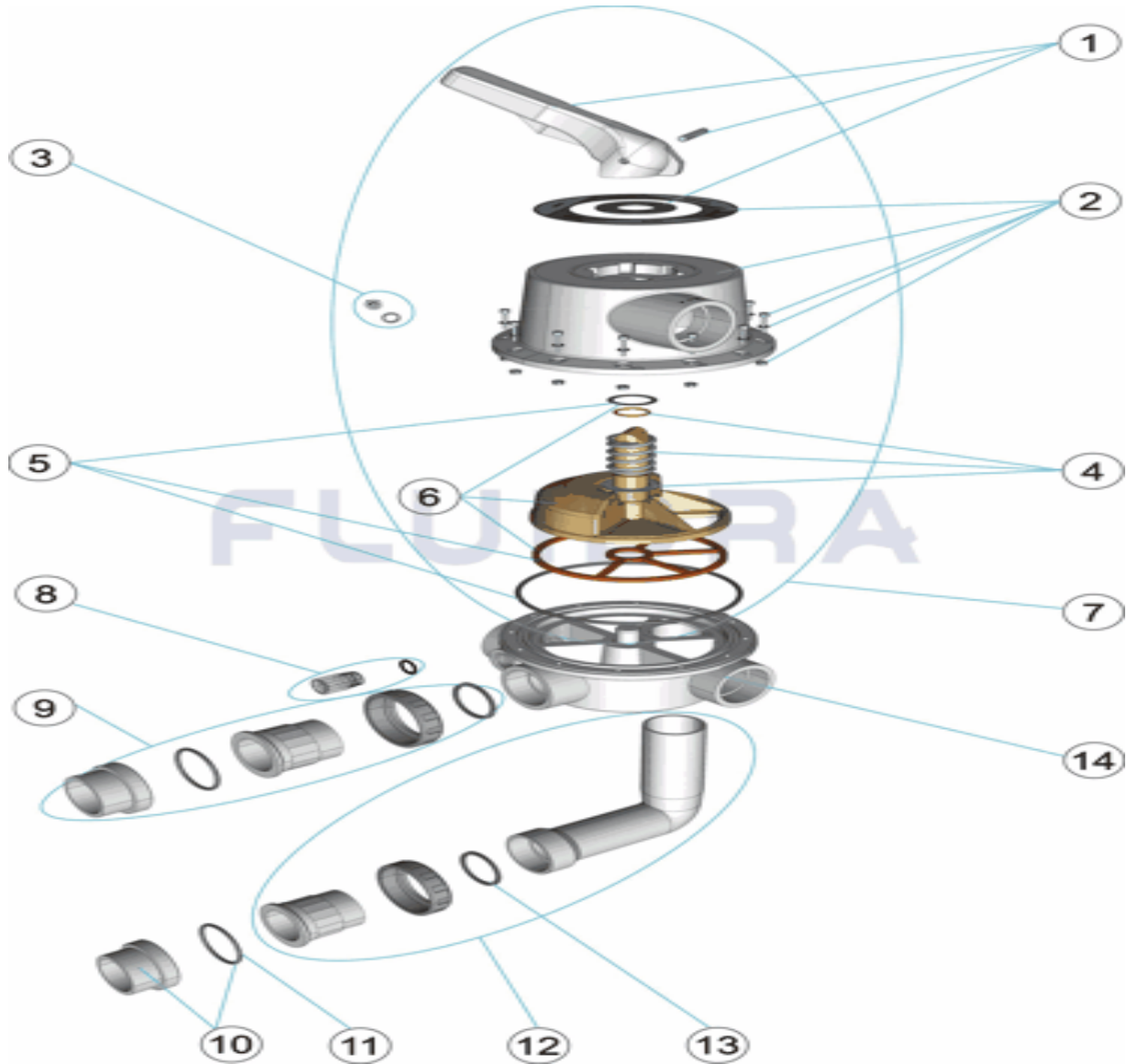
ÉCLATÉ

REV.: 0
DATE: 24/05/2021
PAG.: 2/6

1459

CODE 16243

DESCRIPTION: SÉLECTEUR 2 1/2"



FRANCAIS

POS	CODE	DESCRIPTION	QUANTITE	POS	CODE	DESCRIPTION	QUANTITE
1	4404120701	POIGNEE NOIRE 2 1/2"		8	4404120014	VOYANT ET JOINT MIDAS	
2	4404121302	DESSUS DE VANNE 2 1/2"		9	4404121308	SORTIE DROITE 2 1/2"	
3	4404120081	BOUCHON 1/4"		10	4404121002	MANCHON EXTÉRIEUR 75 AVEC JOINT	
4	4404120703	RESSORT ET RONDELLES 2 1/2"		11	4404121301	JOINT 2 1/2"	
5	4404120705	JOINTS 2 1/2"		12	4404121309	SORTIE COUDEE 2 1/2"	
6	4404120704	BOISSEAU AVEC JOINTS 2 1/2"		13	4404121303	JOINT PLAT 72X61X3,5	
7	4404120089	ENSEMBLE SUPÉRIEUR 2 1/2"		14	24837R0101	CORP DE VANNE DE SELECTION 2 1/2"	

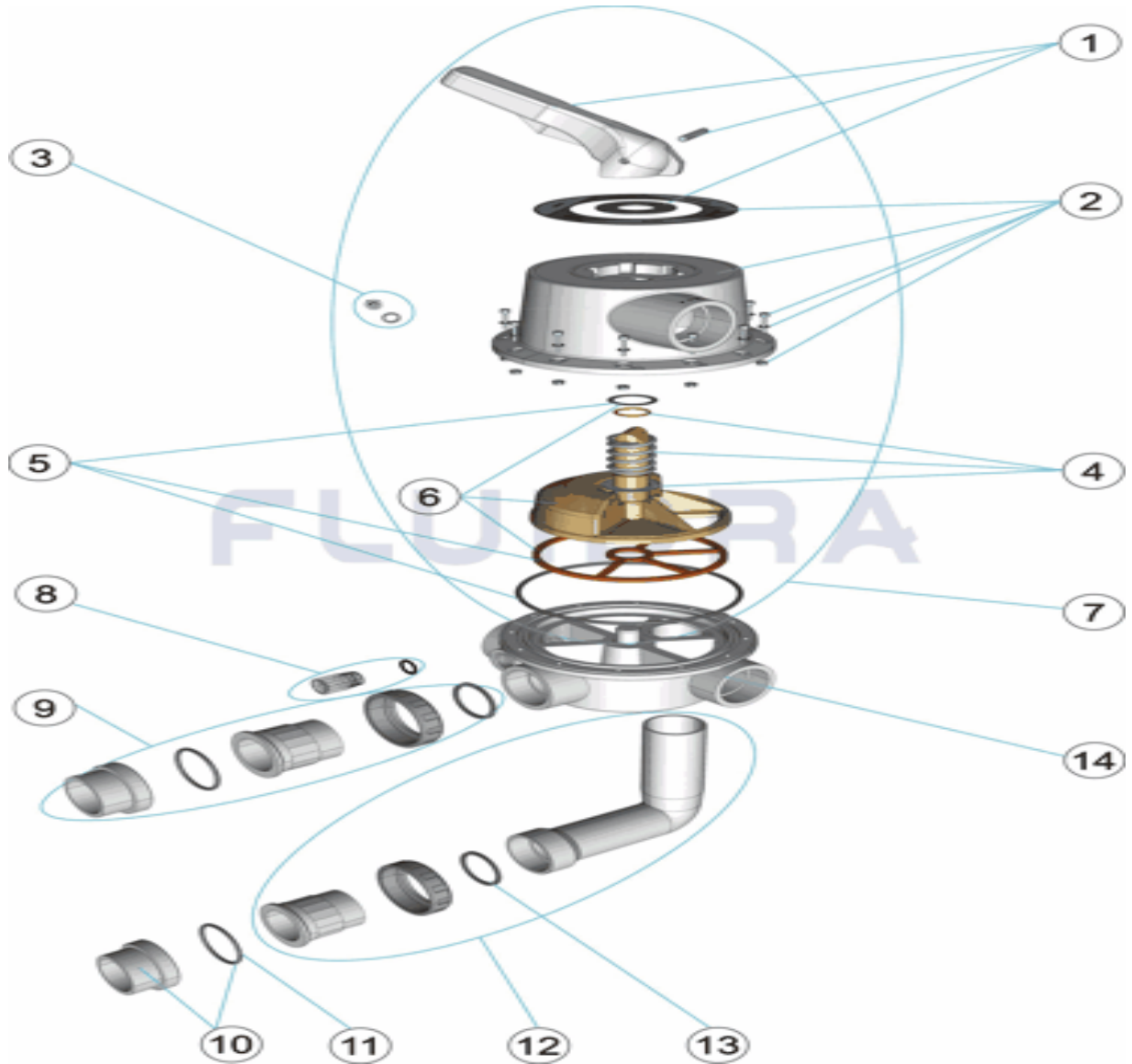
PARTS BREAKDOWN

REV.: 0
DATE: 24/05/2021
SHEET: 3/6

1459

CODE 16243

DESCRIPTION: MULTIPOINT VALVE 2 1/2"



ENGLISH

POS	CODE	DESCRIPTION	QUANTITY	POS	CODE	DESCRIPTION	QUANTITY
1	4404120701	BLACK HANDLE 2 1/2'		8	4404120014	VISOR WITH SEAL MIDAS	
2	4404121302	VALVE 2 1/2"		9	4404121308	UNION 2 1/2"	
3	4404120081	CAP 1/4"		10	4404121002	EXTERNAL UNION 75 WITH SEAL	
4	4404120703	SPRING WITH WASHERS 2 1/2'		11	4404121301	GASKET 2 1/2"	
5	4404120705	GASKETS 2 1/2'		12	4404121309	ELBOW 2 1/2'	
6	4404120704	DISTRIBUTOR WITH GASKETS 2 1/2'		13	4404121303	INLET GASKET 72X61X3,5	
7	4404120089	SET. SUPERIOR 2 1/2		14	24837R0101	VALVE BODY 2 1/2"	

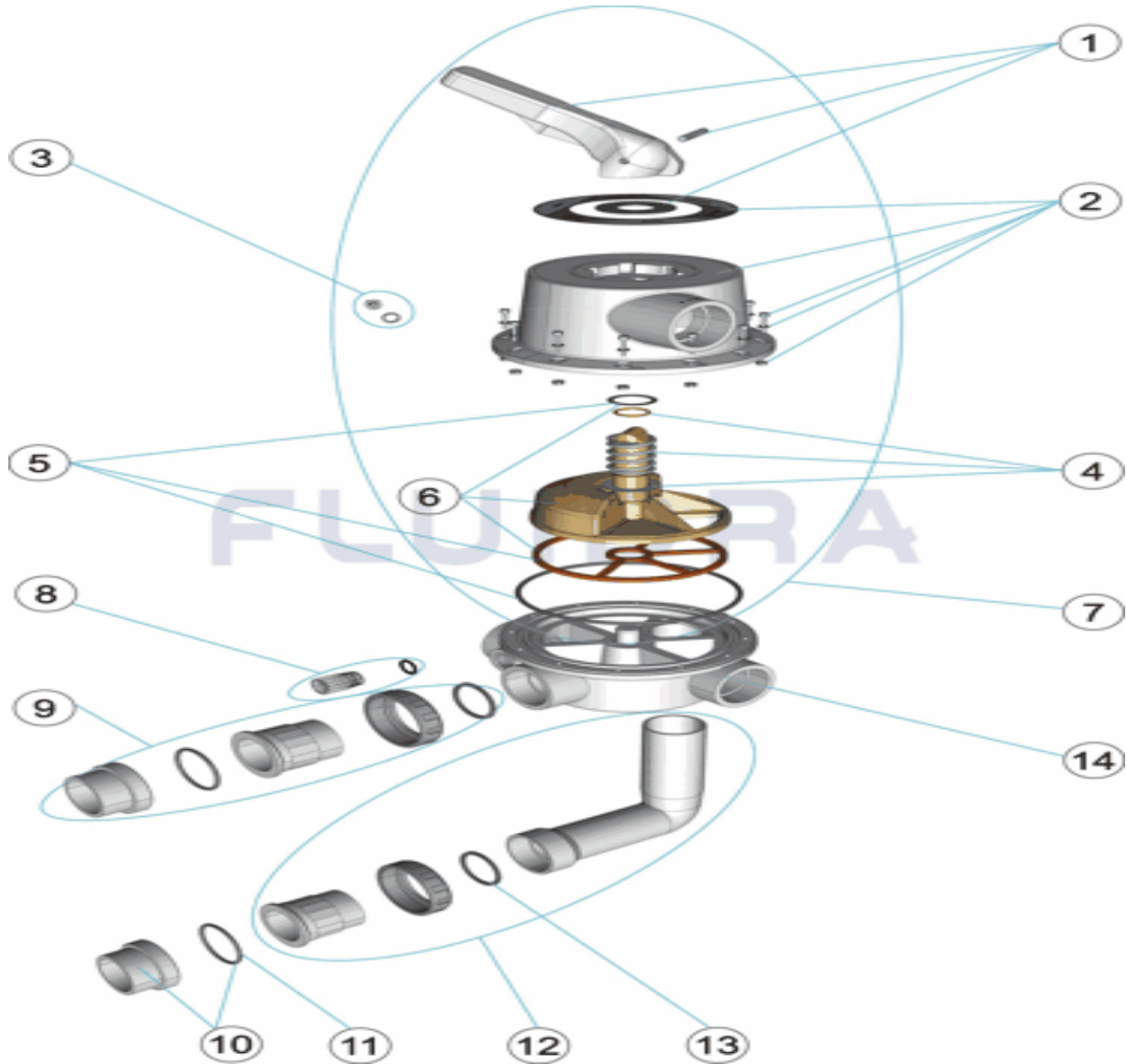
ESPLOSO

REV.: 0
 DATA: 24/05/2021
 PAG.: 4/6

1459

CODICE 16243

DESCRIZIONE: VALVOLA SELETRICE 2 1/2"



ITALIANO

POS	CODICE	DESCRIZIONE	QUANTITA'	POS	CODICE	DESCRIZIONE	QUANTITA'
1	4404120701	MANIGLIA NERA 2 1/2"		8	4404120014	VISORE CON GUARNIZIONE MIDAS	
2	4404121302	COPERTURA VALVOLA 2 1/2"		9	4404121308	GUARNIZIONE PER RACCORDO 2 1/2"	
3	4404120081	TAPPO 1/2"		10	4404121002	MANICOTTO ESTERNO 75 CON GUARNIZIONE	
4	4404120703	MOLLA CON RONDELLE 2 1/2"		11	4404121301	GUARNIZIONE D.2 1/2"	
5	4404120705	GUARNIZIONI VALVOLA 2 1/2"		12	4404121309	RACCORDO A GOMITO 2 1/2"	
6	4404120704	DISTRIBUTORE CON GUARNIZIONI 2 1/2" V		13	4404121303	GUARNIZIONE PIANA 72X61X3,5	
7	4404120089	KIT PARTE SUPERIORE SELETRICE 2 1/2"		14	24837R0101	CORPO VALVOLA SELETRICE 2 1/2"	

EINZELTEILE

ÜBER.: 0

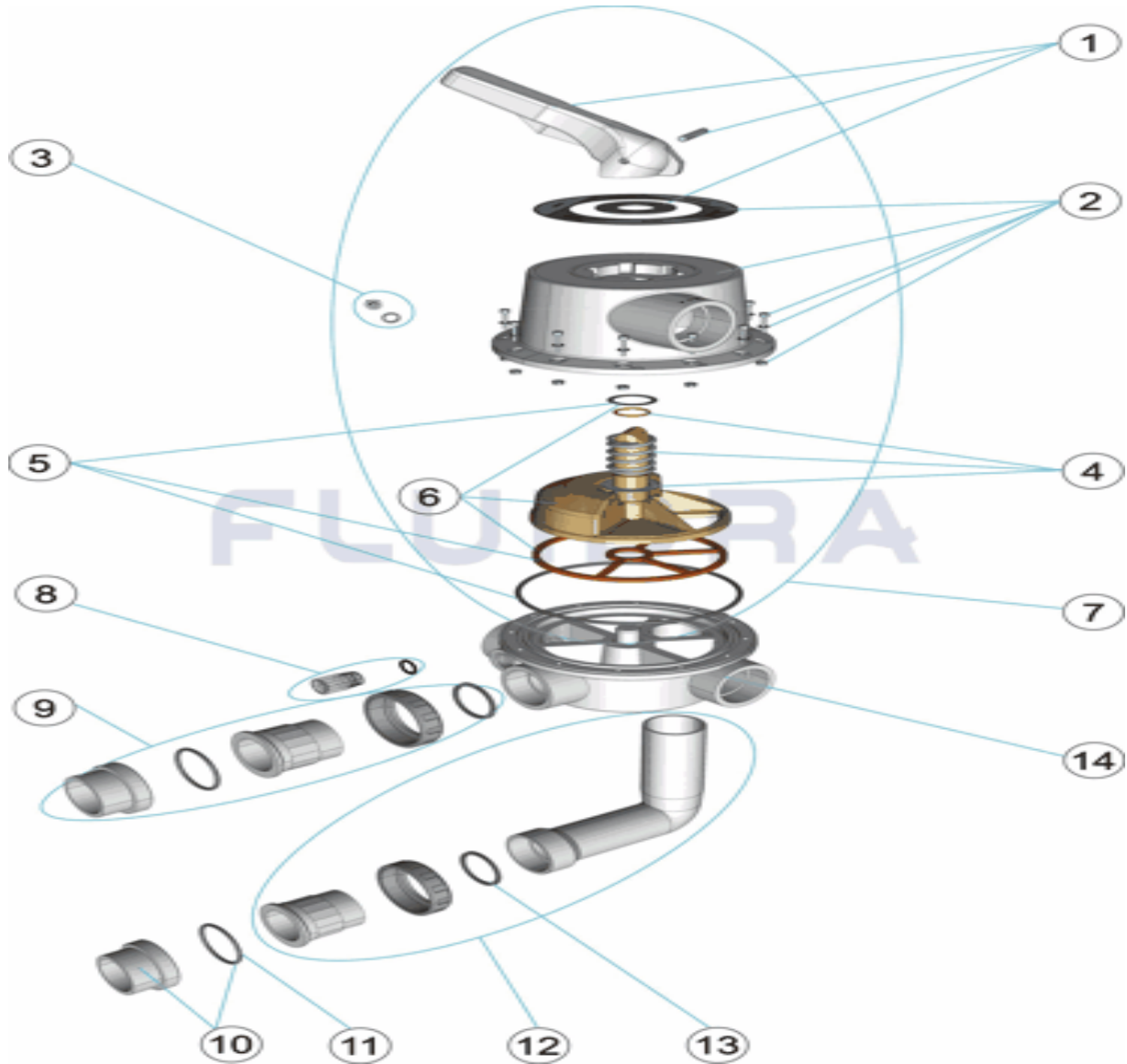
1459

DATUM: 24/05/2021

BLATT: 5/6

CODE **16243**

BESCHREIBUNG: **WECHSELVENTIL 2 1/2"**



DEUTSCH

POS	CODE	BESCHREIBUNG	MENGE	POS	CODE	BESCHREIBUNG	MENGE
1	4404120701	GRIFF SCHWARZ 2 1/2'		8	4404120014	SCHAUGLAS UND DICHTUNG MIDA	
2	4404121302	VENTILDECKEL 2 1/2"		9	4404121308	ANSCHLUSS GERADE 2 1/2"	
3	4404120081	STOPFEN 1/4"		10	4404121002	NIPPEL AUSSEN 75 UND DICHTUNG	
4	4404120703	FEDER MIT UNTERLEGSCHLEIBEN 2 1/2'		11	4404121301	DICHTUNG ANSCHLUSS 2 1/2"	
5	4404120705	VENTILDICHTUNGEN 2 1/2'		12	4404121309	ANSCHLUSSWINKEL 2 1/2"	
6	4404120704	VERTEILER UND DICHTUNGEN 2 1/2'		13	4404121303	FLACHDICHTUNG 72 X 61 X 3,5	
7	4404120089	SET OBEN 2 1/2"		14	24837R0101	GEHÄUSE MEHRWEGVENTIL 2 1/2" P3/N/CF	

ITEM

REV.: 0

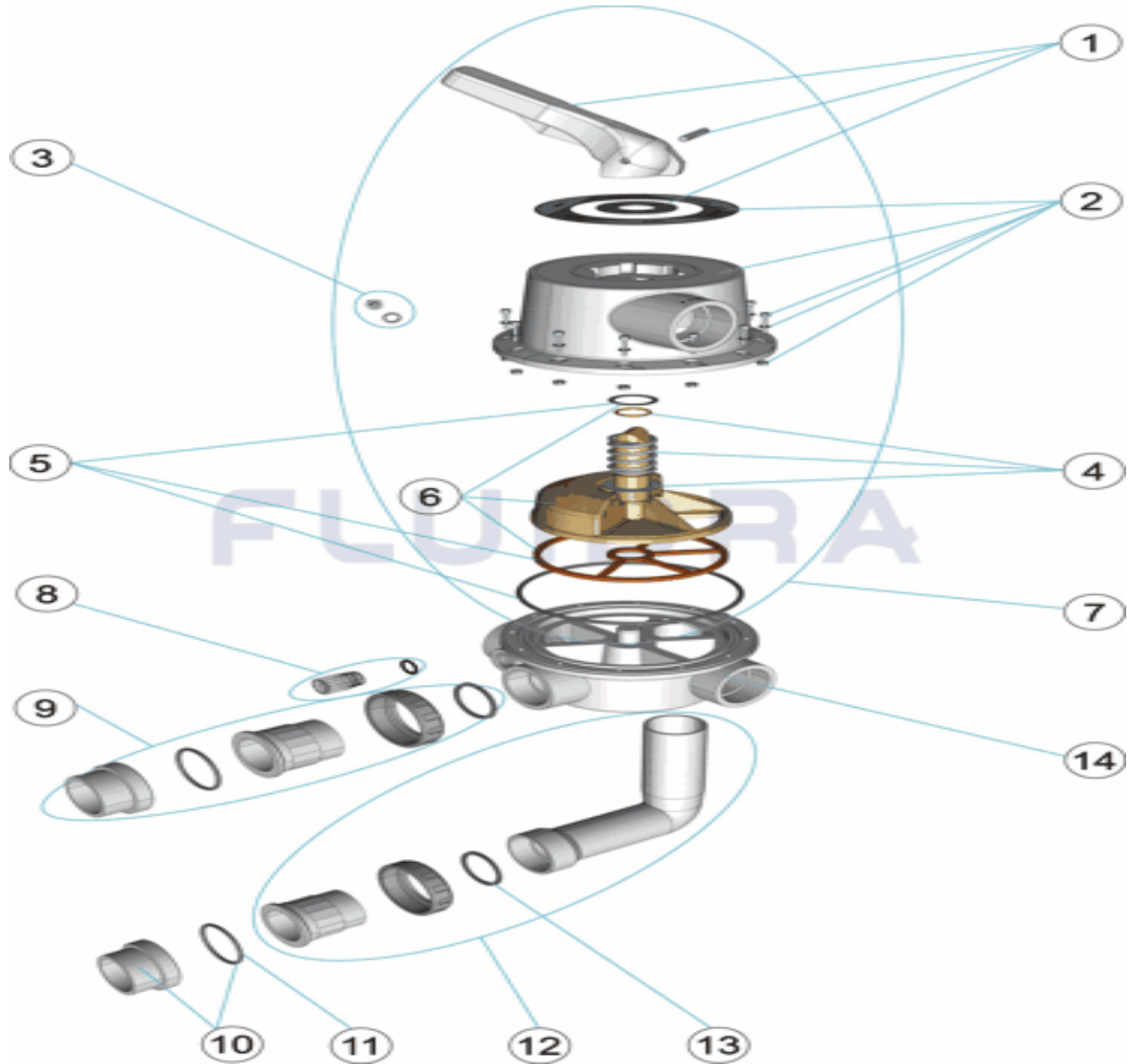
1459

DATA: 24/05/2021

FOLHA: 6/6

CODIGO 16243

DESCRIÇÃO: VÁLVULA SELECTORA 2 1/2"



PORTUGUES

POS	CODIGO	DESCRIÇÃO	JANTIDADE	POS	CODIGO	DESCRIÇÃO	JANTIDADE
1	4404120701	MANIPULO PRETO 2 1/2"		8	4404120014	VISOR COM JUNTA MIDAS	
2	4404121302	TAMPA VALVULA 2 1/2"		9	4404121308	LIGAÇÃO RECTA 2	
3	4404120081	TAMPÃO 1/4"		10	4404121002	MANGUITO EXTERIOR 75 COM JUNTA	
4	4404120703	MOLA COM ANILHAS 2 1/2"		11	4404121301	JUNTA 2 1/2"	
5	4404120705	JUNTAS VÁLVULA 2 1/2"		12	4404121309	LIGAÇÃO CURVA 2 1/2"	
6	4404120704	DISTRIBUIDOR COM JUNTAS 2 1/2"		13	4404121303	JUNTA PLANA 72X61X3,5	
7	4404120089	CONJUNTO SUPERIOR 2 1/2"		14	24837R0101	CORPO VALVULA SELECTORA 2 1/2"	