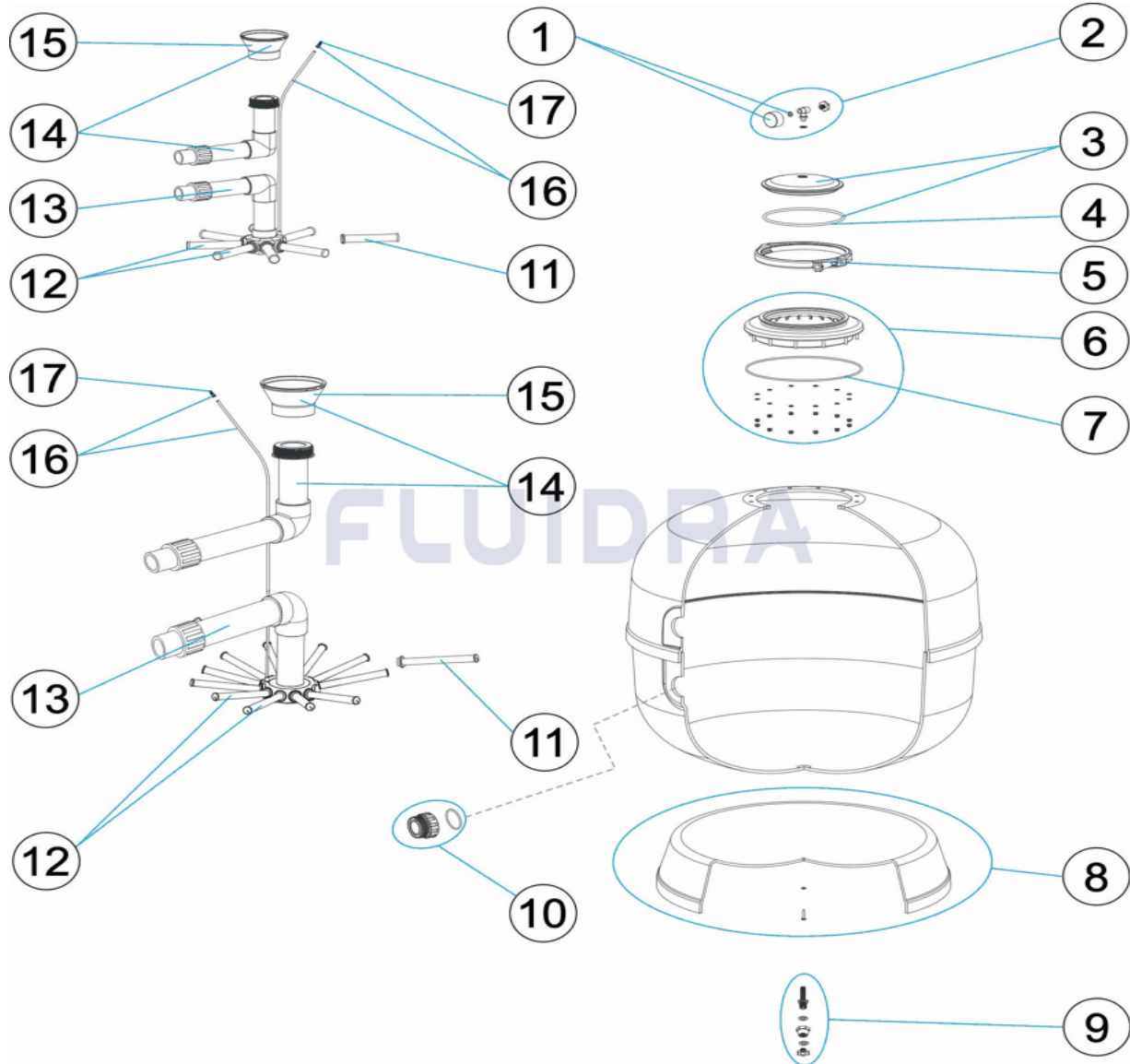


CODIGO 66274, 66275, 66276, 66277

DESCRIPCION: FILTROS VELA



ESPAÑOL

POS	CODIGO	DESCRIPCION	CANTIDAD	POS	CODIGO	DESCRIPCION	CANTIDAD
1	4404010103	MANOMETRO 1/8" 3 KG./C "		11	* 4404300915	BRAZO COLECTOR 1" 175 M "	
2	4404080104	MANOMETRO COMPLETO		11	* 4404300916	BRAZO COLECTOR 1" 225 M "	
3	4404080102	TAPA TRANSPARENTE + ANILLO		11	* 4404290109	BRAZO COLECTOR 1" 265 M "	
4	4404080101	JUNTA TORICA TAPA		12	* 4404010025	CJTO. BRAZOS COLECTOR D. 400	
5	4404040000	CJTO. ZUNCHO		12	* 4404010026	CJTO. BRAZOS COLECTOR	
6	4405040405	CJTO. ARO CUELLO		12	* 4404010028	CJTO. BRAZOS COLECTOR D. 650	
7	4404020116	JUNTA TORICA 255X4		12	* 4404010048	CJTO. BRAZOS COLECTOR D. 750	
8	* 4404010112	PIE FILTRO D.500		13	* 4404010114	CJTO. COLECTOR D. 500	
8	* 4404010113	PIE FILTRO D. 600		13	* 4404010115	CJTO. COLECTOR D. 600	
8	* 4404300924	PIE FILTRO D. 750		13	* 4404010116	CJTO. COLECTOR D. 750	
8	* 4404010093	PIE FILTRO D. 950		13	* 4404010117	CJTO. COLECTOR D. 900	
9	4404010108	PURGA AGUA 3/8"		14	* 4404010118	CJTO. DIFUSOR D. 500	
10	* 4404040103	RACORD 1 1/2" + JUNTA TORIC "		14	* 4404010119	CJTO. DIFUSOR D. 600	

CODIGO 66274, 66275, 66276, 66277

DESCRIPCION: FILTROS VELA

10	* 4404040112	RACORD SALIDA 2" + JUNTA TORIC "	14	* 4404010120	CJTO. DIFUSOR D. 750
11	* 4404300917	BRAZO COLECTOR 1" 110 M "	14	* 4404010123	CJTO. DIFUSOR D. 900- 2"
15	* 4404301004	CONO DIFUSOR D.50	16	* 4404300707	TUBO RIGIDO L-845
15	* 4404300910	CONO DIFUSOR D. 63	17	4404040108	PURGA AIRE
16	* 4404301003	PURGA AIRE + TUBO L=670			

CODIGO 66274, 66275, 66276, 66277

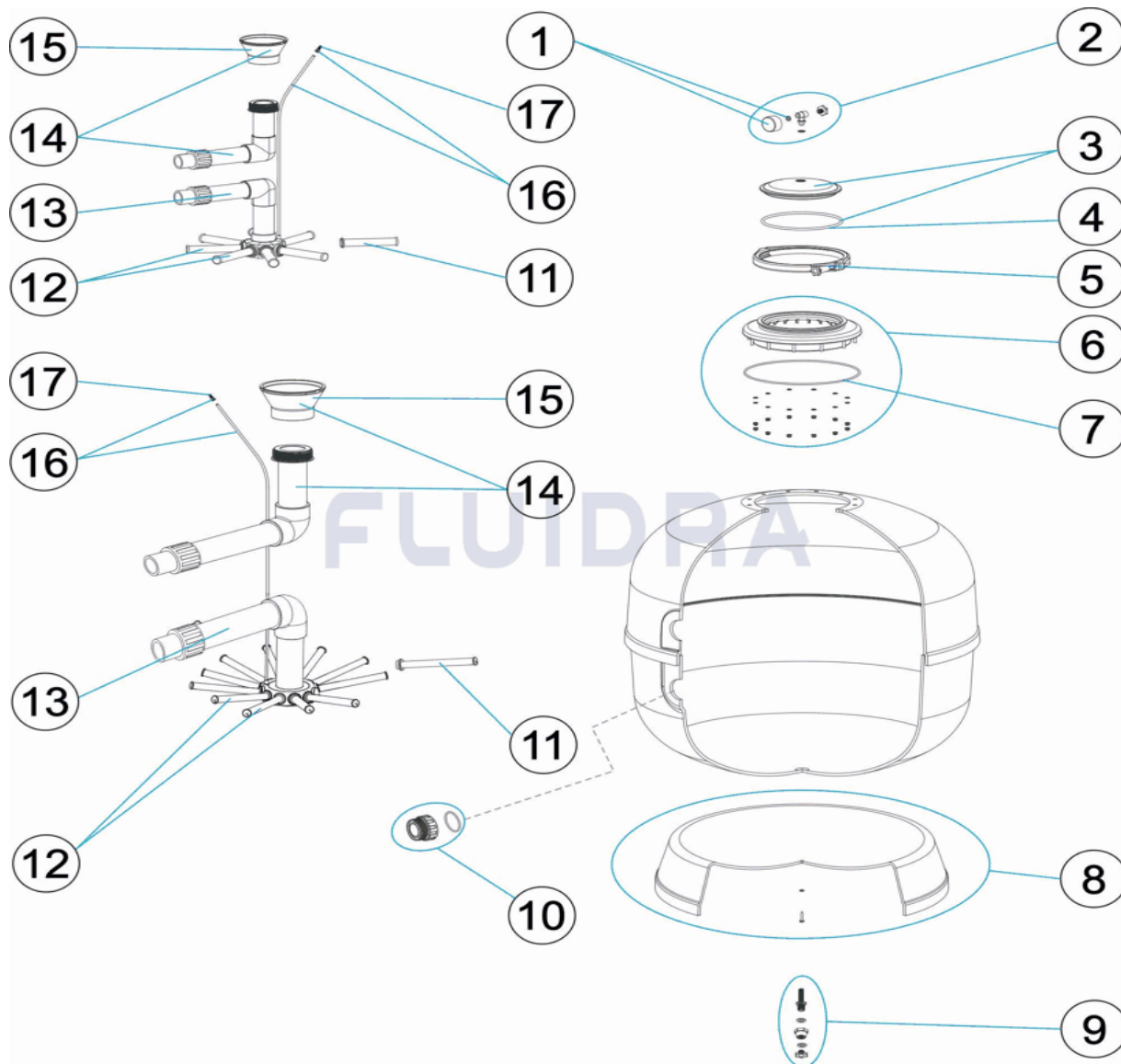
DESCRIPCION: FILTROS VELA

OBSERVACIONES

POS	CODIGO	OBSERVACIONES
8	* 4404010112	PARA: 66274
8	* 4404010113	PARA: 66275
8	* 4404300924	PARA: 66276
8	* 4404010093	PARA: 66277
10	* 4404040103	PARA: 66274, 66275
10	* 4404040112	PARA: 66276, 66277
11	* 4404300917	PARA: 66274 [4UT]
11	* 4404300915	PARA: 66275 [4UT]
11	* 4404300916	PARA: 66276 [6UT]
11	* 4404290109	PARA: 66277 [6UT]
12	* 4404010025	PARA: 66274
12	* 4404010026	PARA: 66275
12	* 4404010028	PARA: 66276
12	* 4404010048	PARA: 66277
13	* 4404010114	PARA: 66274
13	* 4404010115	PARA: 66275
13	* 4404010116	PARA: 66276
13	* 4404010117	PARA: 66277
14	* 4404010118	PARA: 66274
14	* 4404010119	PARA: 66275
14	* 4404010120	PARA: 66276
14	* 4404010123	PARA: 66277
15	* 4404301004	PARA: 66274, 66275
15	* 4404300910	PARA: 66276, 66277
16	* 4404301003	PARA: 66274, 66275, 66276
16	* 4404300707	PARA: 66277

CODE 66274, 66275, 66276, 66277

DESCRIPTION: FILTRES VELA



FRANCAIS

POS	CODE	DESCRIPTION	QUANTITE	POS	CODE	DESCRIPTION	QUANTITE
1	4404010103	MANOMETRE 1/8" 3 KG./C "		11	* 4404300915	BRAS DE REPARTITEUR 1" 175 M "	
2	4404080104	MANOMETRE COMPLET		11	* 4404300916	BRAS DE REPARTITEUR 1" 225 M "	
3	4404080102	COUVERCLE TRANSPARENT + JOINT		11	* 4404290109	BRAS DE REPARTITEUR 1" 265 M/M "	
4	4404080101	JOINT TORIQUE COUVERCLE		12	* 4404010025	ENSEMBLE BRAS DE REPARTITEUR D. 400	
5	4404040000	ENS. COLLIER		12	* 4404010026	ENSEMBLE BRAS DE REPARTITEUR	
6	4405040405	ENSEMBLE " BAGUE JOIN "		12	* 4404010028	ENSEMBLE BRAS DE REPARTITEUR D. 650	
7	4404020116	JOINT TORIQUE 255X4		12	* 4404010048	ENSEMBLE BRAS DE REPARTITEUR D. 750	
8	* 4404010112	SOCLE FILTRE D. 500		13	* 4404010114	ENSEMBLE COLLECTEUR D. 500	
8	* 4404010113	SOCLE FILTRE D. 600		13	* 4404010115	ENSEMBLE COLLECTEUR D. 600	
8	* 4404300924	SOCLE FILTRE D 750		13	* 4404010116	ENSEMBLE COLLECTEUR D. 750	
8	* 4404010093	SOCLE FILTRE D. 950		13	* 4404010117	ENSEMBLE COLLECTEUR D. 900	
9	4404010108	PURGE D'EAU 3/8"		14	* 4404010118	ENSEMBLE DIFFUSEUR D. 500	
10	* 4404040103	RACCORD 1 1/2" + JOINT TORIQU "		14	* 4404010119	ENSEMBLE DIFFUSEUR D. 600	

* VOIR FICHE D'OBSERVATIONS

CODE **66274, 66275, 66276, 66277**

DESCRIPTION: **FILTRES VELA**

10	* 4404040112	RACCORD SORTIE 2" + JOINT TORIQU "	14	* 4404010120	ENSEMBLE DIFFUSEUR D. 750
11	* 4404300917	BRAS DE REPARTITEUR 1" 110 M "	14	* 4404010123	ENSEMBLE DIFFUSEUR D. 900 - 2"
15	* 4404301004	DIFUSOR CONIQUE SUPÉRIOR D. 50	16	* 4404300707	TUBE RIGIDE L-845
15	* 4404300910	DIFUSOR CONIQUE SUPÉRIOR D. 63	17	4404040108	PURGE D'AIR
16	* 4404301003	PURGE AIR + TUBE L=670			

CODE **66274, 66275, 66276, 66277**

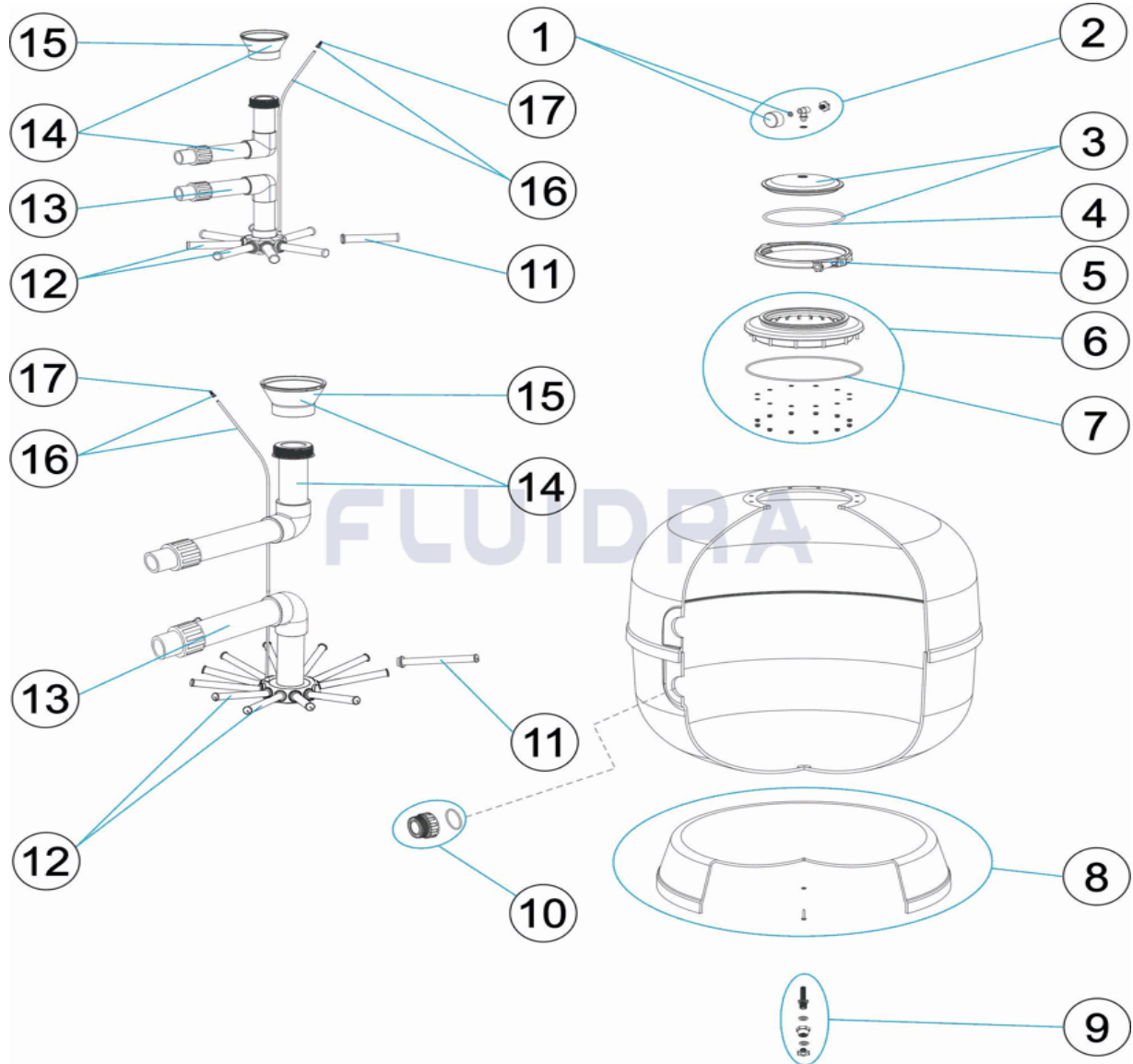
DESCRIPTION: **FILTRES VELA**

OBSERVATIONS

POS	CODE	OBSERVATIONS
8	* 4404010112	POUR: 66274
8	* 4404010113	POUR: 66275
8	* 4404300924	POUR: 66276
8	* 4404010093	POUR: 66277
10	* 4404040103	POUR: 66274, 66275
10	* 4404040112	POUR: 66276, 66277
11	* 4404300917	POUR: 66274 [4UT]
11	* 4404300915	POUR: 66275 [4UT]
11	* 4404300916	POUR: 66276 [6UT]
11	* 4404290109	POUR: 66277 [6UT]
12	* 4404010025	POUR: 66274
12	* 4404010026	POUR: 66275
12	* 4404010028	POUR: 66276
12	* 4404010048	POUR: 66277
13	* 4404010114	POUR: 66274
13	* 4404010115	POUR: 66275
13	* 4404010116	POUR: 66276
13	* 4404010117	POUR: 66277
14	* 4404010118	POUR: 66274
14	* 4404010119	POUR: 66275
14	* 4404010120	POUR: 66276
14	* 4404010123	POUR: 66277
15	* 4404301004	POUR: 66274, 66275
15	* 4404300910	POUR: 66276, 66277
16	* 4404301003	POUR: 66274, 66275, 66276
16	* 4404300707	POUR: 66277

CODE 66274, 66275, 66276, 66277

DESCRIPTION: VELA FILTERS



ENGLISH

POS	CODE	DESCRIPTION	QUANTITY	POS	CODE	DESCRIPTION	QUANTITY
1	4404010103	PRESSURE GAUGE 1/8" 3 KG./C "		11	* 4404300915	MANIFOLD ARM 1" 175 M "	
2	4404080104	COMPLETE PRESSURE GAUGE UNIT		11	* 4404300916	MANIFOLD ARM 1" 225 M "	
3	4404080102	TRANSPARENT LID + GASKET		11	* 4404290109	COLLECTOR ARM 1" 265 M "	
4	4404080101	LID 'O' RING		12	* 4404010025	MANIFOLD ARM ASSEMBLY D. 400	
5	4404040000	SET BAND		12	* 4404010026	MANIFOLD ARM ASSEMBLY	
6	4405040405	SET FILTER RING		12	* 4404010028	MANIFOLD ARM ASSEMBLY D. 650	
7	4404020116	O' RING 255X4		12	* 4404010048	MANIFOLD ARM ASSEMBLY D. 750	
8	* 4404010112	FILTER BASE D. 500		13	* 4404010114	MANIFOLD ASSEMBLY D. 500	
8	* 4404010113	FILTER BASE D. 600		13	* 4404010115	MANIFOLD ASSEMBLY D. 600	
8	* 4404300924	FILTER BASE D. 750		13	* 4404010116	MANIFOLD ASSEMBLY D. 750	
8	* 4404010093	FILTER BASE D. 950		13	* 4404010117	MANIFOLD ASSEMBLY D. 900	
9	4404010108	WATER PURGE 3/8"		14	* 4404010118	DIFFUSER ASSEMBLY D. 500	
10	* 4404040103	FITTING 1 1/2" + O'RIN "		14	* 4404010119	DIFFUSER ASSEMBLY D. 600	

CODE **66274, 66275, 66276, 66277**

DESCRIPTION: **VELA FILTERS**

10	* 4404040112	2" OUTLET FITTING + O'RIN "	14	* 4404010120	DIFFUSER ASSEMBLY D. 750
11	* 4404300917	MANIFOLD ARM 1" 110 M "	14	* 4404010123	DIFFUSER ASSEMBLY D. 900 2"
15	* 4404301004	DIFFUSER CONE D. 50	16	* 4404300707	RIGID PIPE L-845
15	* 4404300910	DIFFUSER CONE D. 63	17	4404040108	AIR PURGE
16	* 4404301003	AIR PURGE + PIPE L=670			

CODE **66274, 66275, 66276, 66277**

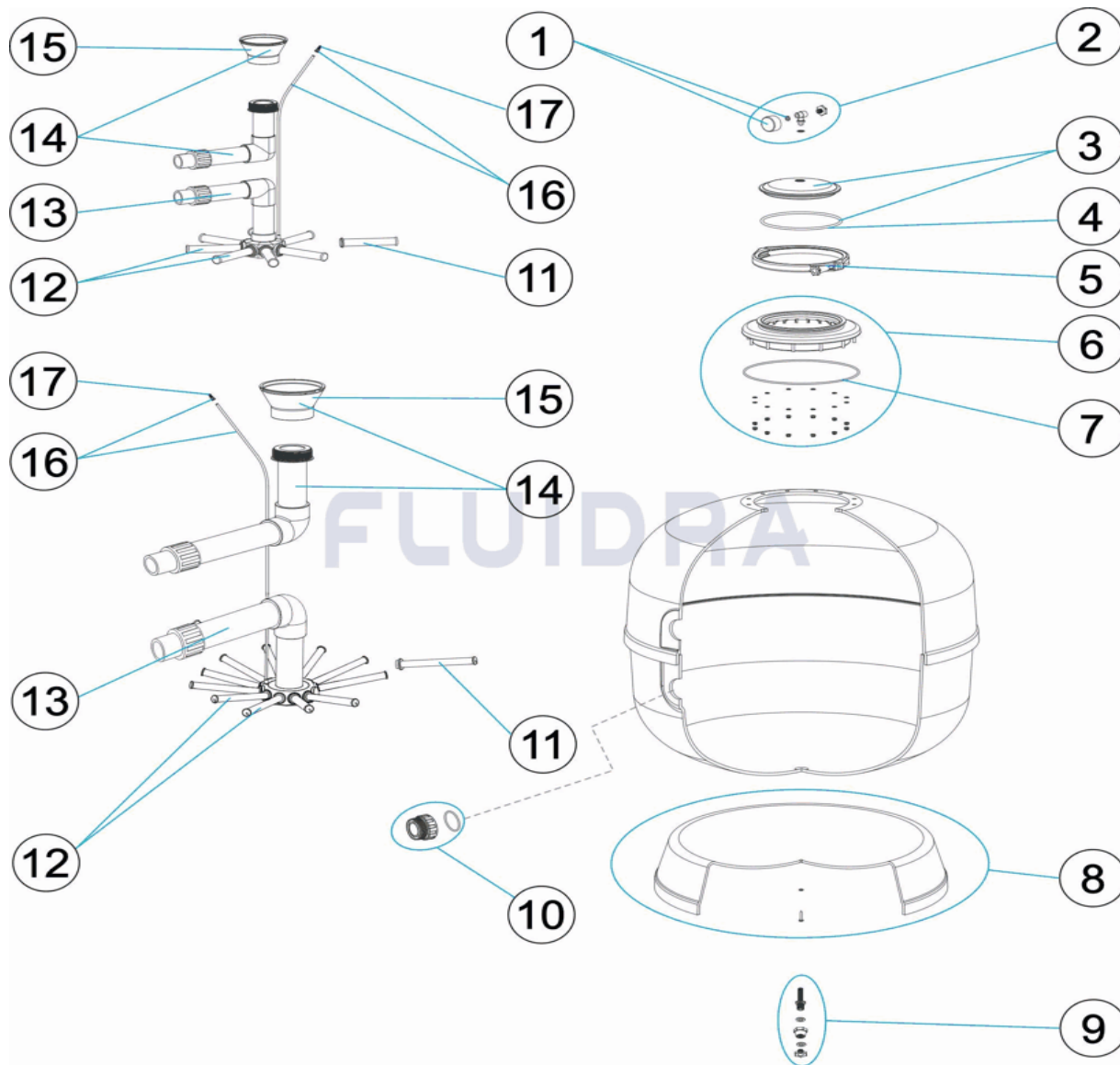
DESCRIPTION: **VELA FILTERS**

OBSERVATIONS

POS	CODE	OBSERVATIONS
8	* 4404010112	FOR: 66274
8	* 4404010113	FOR: 66275
8	* 4404300924	FOR: 66276
8	* 4404010093	FOR: 66277
10	* 4404040103	FOR: 66274, 66275
10	* 4404040112	FOR: 66276, 66277
11	* 4404300917	FOR: 66274 [4UT]
11	* 4404300915	FOR: 66275 [4UT]
11	* 4404300916	FOR: 66276 [6UT]
11	* 4404290109	FOR: 66277 [6UT]
12	* 4404010025	FOR: 66274
12	* 4404010026	FOR: 66275
12	* 4404010028	FOR: 66276
12	* 4404010048	FOR: 66277
13	* 4404010114	FOR: 66274
13	* 4404010115	FOR: 66275
13	* 4404010116	FOR: 66276
13	* 4404010117	FOR: 66277
14	* 4404010118	FOR: 66274
14	* 4404010119	FOR: 66275
14	* 4404010120	FOR: 66276
14	* 4404010123	FOR: 66277
15	* 4404301004	FOR: 66274, 66275
15	* 4404300910	FOR: 66276, 66277
16	* 4404301003	FOR: 66274, 66275, 66276
16	* 4404300707	FOR: 66277

CODICE 66274, 66275, 66276, 66277

DESCRIZIONE: FILTRI VELA



ITALIANO

POS	CODICE	DESCRIZIONE	QUANTITA'	POS	CODICE	DESCRIZIONE	QUANTITA'
1	4404010103	MANOMETRO 1/8" 3 KG./C "		11	* 4404300915	CANDELOTTO COLLECTORE 1" 175 M "	
2	4404080104	MANOMETRO COMPLETO		11	* 4404300916	CANDELOTTO COLLECTORE 1" 225 M "	
3	4404080102	COPERCHIO TRASPARENTE + ANELLO		11	* 4404290109	CANDELOTTO 1" 265 M/M "	
4	4404080101	O-RING COPERCHIO		12	* 4404010025	GRUPPO CANDELOTTO COLLECTORE D. 4	
5	4404040000	GRUPPO FASCETTA		12	* 4404010026	GRUPPO CANDELOTTO COLLECTORE	
6	4405040405	KIT FLANGIA COPERCHIO		12	* 4404010028	GRUPPO CANDELOTTO COLLECTORE D. 6	
7	4404020116	O-RING 255X4		12	* 4404010048	GRUPPO CANDELOTTO COLLECTORE D. 7	
8	* 4404010112	BASE FILTRO D. 500		13	* 4404010114	KIT COLLETTORE D. 500	
8	* 4404010113	BASE FILTRO D.600		13	* 4404010115	KIT COLLETTORE D. 600	
8	* 4404300924	BASE FILTRO D 750		13	* 4404010116	KIT COLLETTORE D. 750	
8	* 4404010093	BASE FILTRO D. 950		13	* 4404010117	KIT COLLETTORE D. 900	
9	4404010108	SCARICO ACQUA 3/8"		14	* 4404010118	RACCORDO DIFFUSORE D. 500	
10	* 4404040103	RACCORDO 1 1/2" + O-RIN "		14	* 4404010119	RACCORDO DIFFUSORE D. 600	

CODICE **66274, 66275, 66276, 66277**

DESCRIZIONE: **FILTRI VELA**

10	* 4404040112	RACCORDO USCITA 2" + O-RING	14	* 4404010120	RACCORDO DIFFUSORE D. 750
11	* 4404300917	CANDELOTTO COLLECTORE 1" 110 M "	14	* 4404010123	RACCORDO DIFFUSORE D. 900 - 2"
15	* 4404301004	CONO DIFFUSORE D. 50	16	* 4404300707	TUBO RIGIDO L-845
15	* 4404300910	CONO DIFFUSORE D. 63	17	4404040108	SFIATO ARIA
16	* 4404301003	SPURGO ARIA + TUBO L=670			

CODICE **66274, 66275, 66276, 66277**

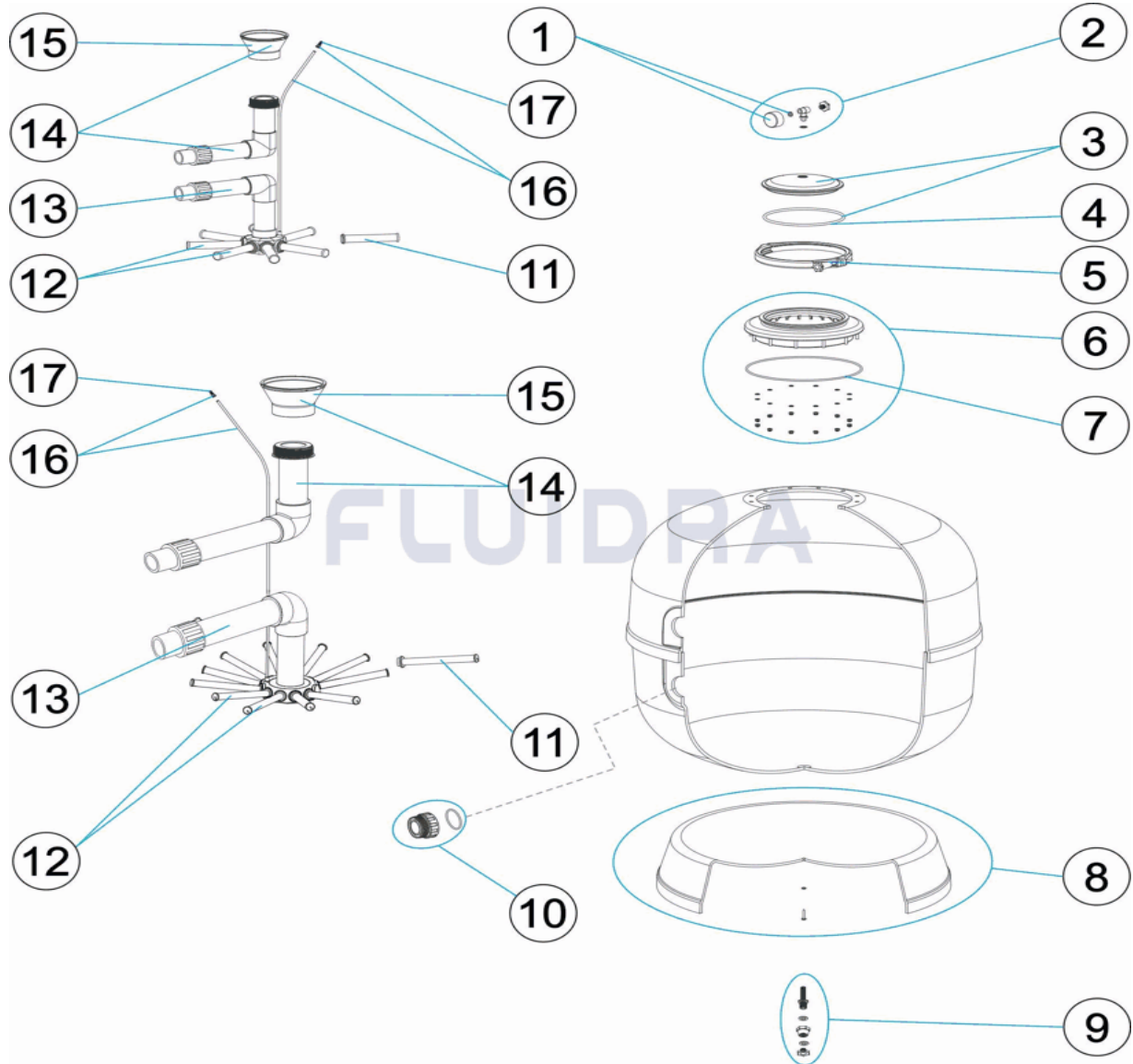
DESCRIZIONE: **FILTRI VELA**

OSSERVAZIONI

POS	CODICE	OSSERVAZIONI
8	* 4404010112	PER: 66274
8	* 4404010113	PER: 66275
8	* 4404300924	PER: 66276
8	* 4404010093	PER: 66277
10	* 4404040103	PER: 66274, 66275
10	* 4404040112	PER: 66276, 66277
11	* 4404300917	PER: 66274 [4UT]
11	* 4404300915	PER: 66275 [4UT]
11	* 4404300916	PER: 66276 [6UT]
11	* 4404290109	PER: 66277 [6UT]
12	* 4404010025	PER: 66274
12	* 4404010026	PER: 66275
12	* 4404010028	PER: 66276
12	* 4404010048	PER: 66277
13	* 4404010114	PER: 66274
13	* 4404010115	PER: 66275
13	* 4404010116	PER: 66276
13	* 4404010117	PER: 66277
14	* 4404010118	PER: 66274
14	* 4404010119	PER: 66275
14	* 4404010120	PER: 66276
14	* 4404010123	PER: 66277
15	* 4404301004	PER: 66274, 66275
15	* 4404300910	PER: 66276, 66277
16	* 4404301003	PER: 66274, 66275, 66276
16	* 4404300707	PER: 66277

CODE **66274, 66275, 66276, 66277**

BESCHREIBUNG: **FILTER VELA**



DEUTSCH

POS	CODE	BESCHREIBUNG	MENGE	POS	CODE	BESCHREIBUNG	MENGE
1	4404010103	MANOMETER 1/8" 3 KG/C "		11	* 4404300915	FILTERSTERN-SCHLITZROHR 1" 175 M "	
2	4404080104	MANOMETER KOMPLETT		11	* 4404300916	FILTERSTERN-SCHLITZROHR 1" 225 M "	
3	4404080102	ABDECKUNG TRANSPARENT MIT RING		11	* 4404290109	FILTERSTERN-SCHLITZROHR 1" 265 M "	
4	4404080101	O-RING ABDECKUNG		12	* 4404010025	SET FILTERSTERN-SCHLITZROHR D. 400	
5	4404040000	SET EINSATZ		12	* 4404010026	SET FILTERSTERN-SCHLITZROHR	
6	4405040405	SET FILTERRING		12	* 4404010028	SET FILTERSTERN-SCHLITZROHR D. 650	
7	4404020116	O-RING 255 X 4		12	* 4404010048	SET FILTERSTERN-SCHLITZROHR D. 750	
8	* 4404010112	FILTERFUSS D. 500		13	* 4404010114	SAMMELROHRSET D. 500	
8	* 4404010113	FILTERFUSS D. 600		13	* 4404010115	SAMMELROHRSET D. 600	
8	* 4404300924	FILTERFUSS D. 750		13	* 4404010116	SAMMELROHRSET D. 750	
8	* 4404010093	FILTERFUSS D. 950		13	* 4404010117	SAMMELROHRSET D. 900	
9	4404010108	WASSERABLAUSS 3/8"		14	* 4404010118	SET WASSERVERTEILER D. 500	
10	* 4404040103	GEWINDESTÜCK 1 1/2" UND O-RIN "		14	* 4404010119	SET WASSERVERTEILER D. 600	

CODE **66274, 66275, 66276, 66277**

BESCHREIBUNG: **FILTER VELA**

10	* 4404040112	GEWINDESTÜCK AUSGANG 2" UND O-RIN	14	* 4404010120	SET WASSERVERTEILER D. 750
11	* 4404300917	FILTERSTERN-SCHLITZROHR 1" 110 M "	14	* 4404010123	SET WASSERVERTEILER D. 900 - 2"
15	* 4404301004	KEGEL WASSERVERTEILER D. 50	16	* 4404300707	ROHR HART L - 845
15	* 4404300910	KEGEL WASSERVERTEILER D. 63	17	4404040108	ENTLÜFTUNG
16	* 4404301003	ENTLÜFTUNG UND ROHR L=670			

CODE **66274, 66275, 66276, 66277**

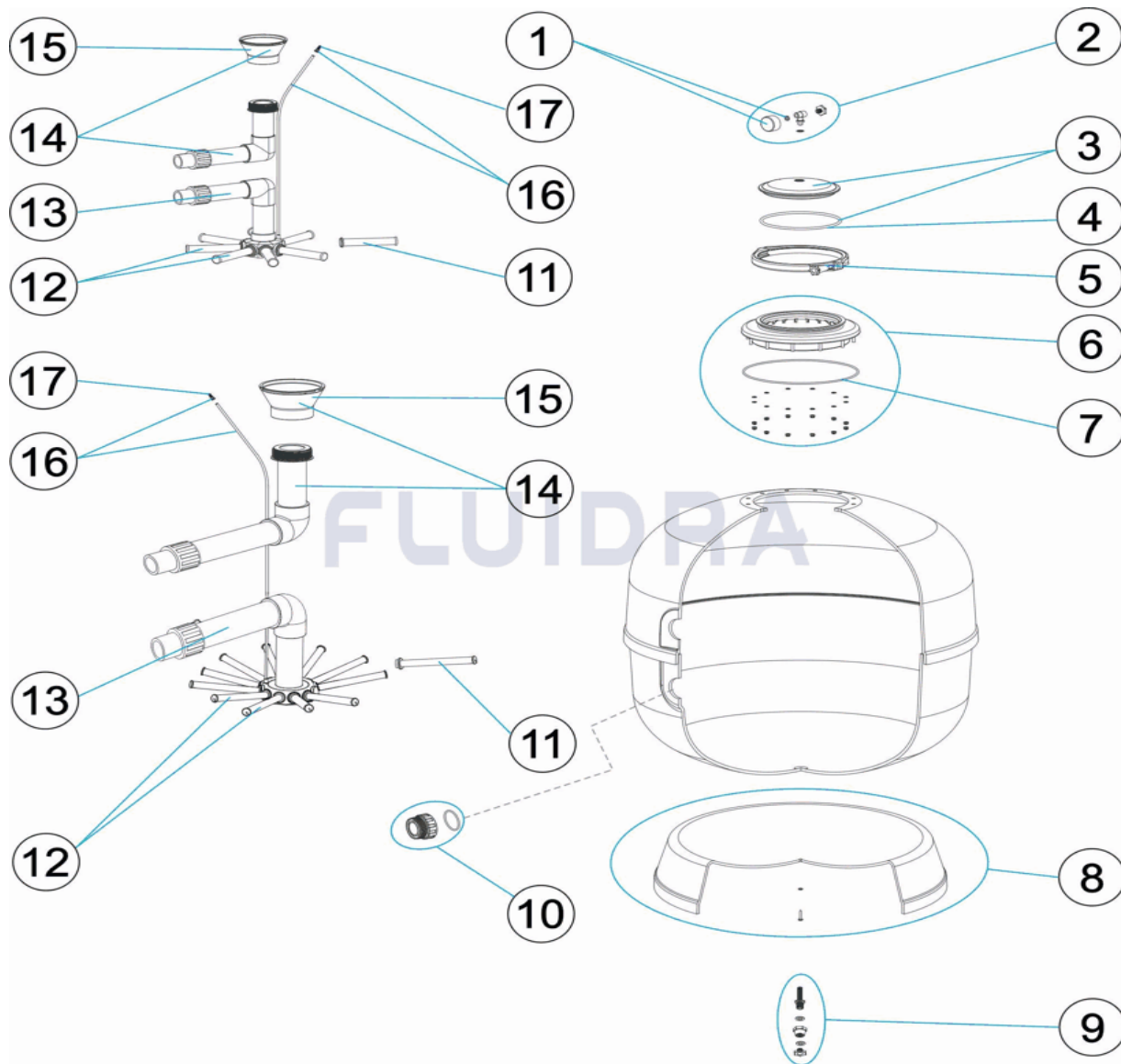
BESCHREIBUNG: **FILTER VELA**

HINWEISE

POS	CODE	HINWEISE
8	* 4404010112	FÜR: 66274
8	* 4404010113	FÜR: 66275
8	* 4404300924	FÜR: 66276
8	* 4404010093	FÜR: 66277
10	* 4404040103	FÜR: 66274, 66275
10	* 4404040112	FÜR: 66276, 66277
11	* 4404300917	FÜR: 66274 [4UT]
11	* 4404300915	FÜR: 66275 [4UT]
11	* 4404300916	FÜR: 66276 [6UT]
11	* 4404290109	FÜR: 66277 [6UT]
12	* 4404010025	FÜR: 66274
12	* 4404010026	FÜR: 66275
12	* 4404010028	FÜR: 66276
12	* 4404010048	FÜR: 66277
13	* 4404010114	FÜR: 66274
13	* 4404010115	FÜR: 66275
13	* 4404010116	FÜR: 66276
13	* 4404010117	FÜR: 66277
14	* 4404010118	FÜR: 66274
14	* 4404010119	FÜR: 66275
14	* 4404010120	FÜR: 66276
14	* 4404010123	FÜR: 66277
15	* 4404301004	FÜR: 66274, 66275
15	* 4404300910	FÜR: 66276, 66277
16	* 4404301003	FÜR: 66274, 66275, 66276
16	* 4404300707	FÜR: 66277

CODIGO 66274, 66275, 66276, 66277

DESCRIÇÃO: FILTROS VELA



PORTUGUES

POS	CODIGO	DESCRIÇÃO	JANTIDADE	POS	CODIGO	DESCRIÇÃO	JANTIDADE
1	4404010103	MANOMETRO 1/8" 3 KG./C "		11	* 4404300915	BRAÇO COLECTOR 1" 175 M "	
2	4404080104	MANÓMETRO COMPLETO		11	* 4404300916	BRAÇO COLECTOR 1" 225 M "	
3	4404080102	TAMPA TRANSPARENTE + ARO		11	* 4404290109	BRAÇO COLECTOR 1" 265 M/M "	
4	4404080101	JUNTA TÓRICA TAMPA		12	* 4404010025	CJTO. BRAÇO COLECTOR D. 400	
5	4404040000	CONJ.ANEL		12	* 4404010026	CJTO. BRAÇO COLECTOR	
6	4405040405	CONJUNTO ARO PROLONGADOR		12	* 4404010028	CJTO. BRAÇO COLECTOR D.650	
7	4404020116	JUNTA TÓRICA 255X4		12	* 4404010048	CJTO. BRAÇO COLECTOR D. 750	
8	* 4404010112	PÉ FILTRO D. 500		13	* 4404010114	CJTO. COLECTOR D. 500	
8	* 4404010113	PÉ FILTRO D. 600		13	* 4404010115	CJTO. COLECTOR D. 600	
8	* 4404300924	PÉ FILTRO D 750		13	* 4404010116	CJTO. COLECTOR D. 750	
8	* 4404010093	PÉ FILTRO D. 950		13	* 4404010117	CJTO. COLECTOR D. 900	
9	4404010108	PURGA AGUA 3/8"		14	* 4404010118	CJTO. DIFUSOR D. 500	
10	* 4404040103	RACORD 1 1/2" JUNTA TORIC "		14	* 4404010119	CJTO. DIFUSOR D. 600	

CODIGO **66274, 66275, 66276, 66277**

DESCRIÇÃO: FILTROS VELA

10	* 4404040112	ACOPLADOR SAÍDA 2" + JUNTA TORIC "	14	* 4404010120	CJTO. DIFUSOR D. 750
11	* 4404300917	BRAÇO COLECTOR 1" 110 M "	14	* 4404010123	CJTO. DIFUSOR D. 900 - 2"
15	* 4404301004	CONO DIFUSOR D. 50	16	* 4404300707	TUBO RÍGIDO L-845
15	* 4404300910	CONO DIFUSOR D. 63	17	4404040108	PURGA AREIA
16	* 4404301003	PURGA AR + TUBO L=670			

CODIGO **66274, 66275, 66276, 66277**

DESCRIÇÃO: FILTROS VELA

OBSERVAÇÕES

POS	CODIGO	OBSERVAÇÕES
8	* 4404010112	PARA: 66274
8	* 4404010113	PARA: 66275
8	* 4404300924	PARA: 66276
8	* 4404010093	PARA: 66277
10	* 4404040103	PARA: 66274, 66275
10	* 4404040112	PARA: 66276, 66277
11	* 4404300917	PARA: 66274 [4UT]
11	* 4404300915	PARA: 66275 [4UT]
11	* 4404300916	PARA: 66276 [6UT]
11	* 4404290109	PARA: 66277 [6UT]
12	* 4404010025	PARA: 66274
12	* 4404010026	PARA: 66275
12	* 4404010028	PARA: 66276
12	* 4404010048	PARA: 66277
13	* 4404010114	PARA: 66274
13	* 4404010115	PARA: 66275
13	* 4404010116	PARA: 66276
13	* 4404010117	PARA: 66277
14	* 4404010118	PARA: 66274
14	* 4404010119	PARA: 66275
14	* 4404010120	PARA: 66276
14	* 4404010123	PARA: 66277
15	* 4404301004	PARA: 66274, 66275
15	* 4404300910	PARA: 66276, 66277
16	* 4404301003	PARA: 66274, 66275, 66276
16	* 4404300707	PARA: 66277