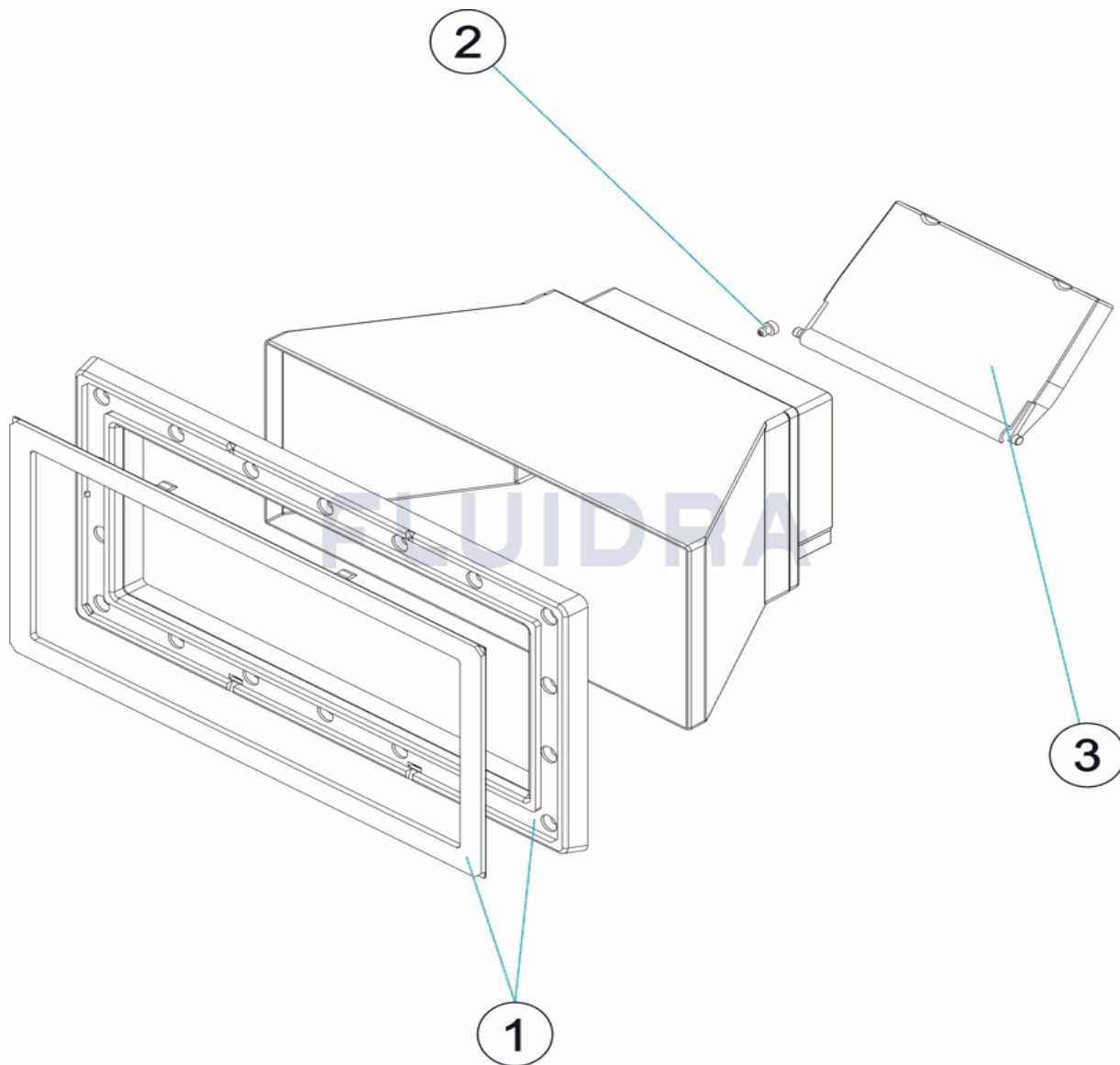


CODIGO 74035CL090, 74035CL129, 74035CL144

DESCRIPCION: KIT EASYCOLOR SKIMMER



ESPAÑOL

POS	CODIGO	DESCRIPCION	CANTIDAD	POS	CODIGO	DESCRIPCION	CANTIDAD
1	* 4402010162	MARCO BOCA SKIMMER	4	* 4402010076	COMPUERTA SKIMMER CON CLIP		
1	* 4402010163	MARCO BOCA SKIMMER	4	* 4402010079	COMPUERTA SKIMMER CON CLIP		
1	* 4402010164	MARCO BOCA SKIMMER	4	* 4402010080	COMPUERTA SKIMMER CON CLIP		
2	4402010160	TAPON AMORTIGUADOR					

CODIGO **74035CL090, 74035CL129, 74035CL144**

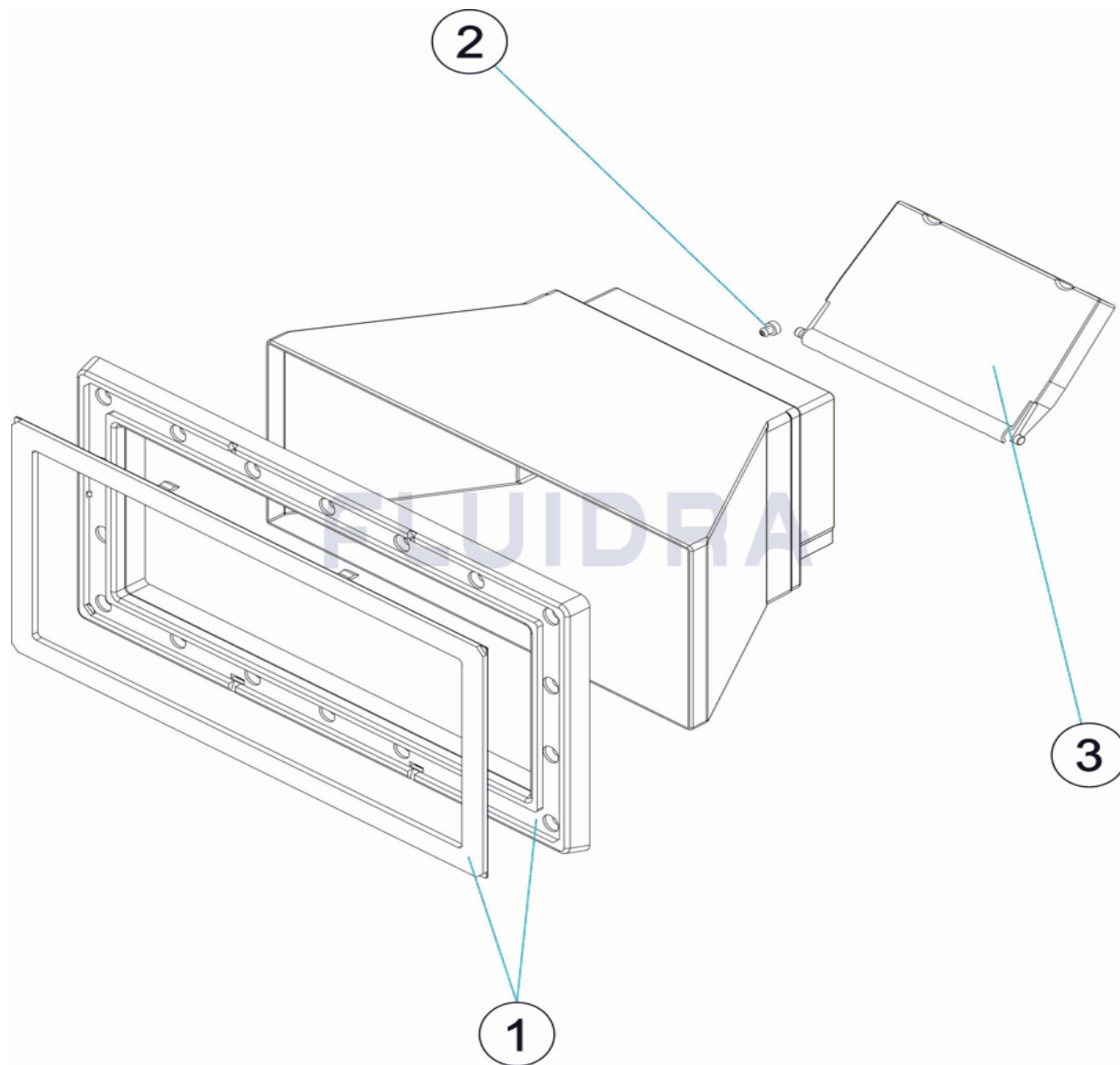
DESCRIPCION: KIT EASYCOLOR SKIMMER

OBSERVACIONES

POS	CODIGO	OBSERVACIONES
1	* 4402010162	PARA: 74035CL090 BEIGE
1	* 4402010163	PARA: 74035CL129 GRIS / GREY
1	* 4402010164	PARA: 74035CL144 ANTRACITA / ANTHRACITE
4	* 4402010076	PARA: 74035CL090 BEIGE
4	* 4402010079	PARA: 74035CL129 GRIS / GREY
4	* 4402010080	PARA: 74035CL144 ANTRACITA / ANTHRACITE

CODE 74035CL090, 74035CL129, 74035CL144

DESCRIPTION: KIT EASYCOULEUR SKIMMER



FRANCAIS

POS	CODE	DESCRIPTION	QUANTITE	POS	CODE	DESCRIPTION	QUANTITE
1	* 4402010162	CADRE BOUCHE SKIMMER		4	* 4402010076	VOLET DE SKIMMER	
1	* 4402010163	CADRE BOUCHE SKIMMER		4	* 4402010079	VOLET DE SKIMMER	
1	* 4402010164	CADRE BOUCHE SKIMMER		4	* 4402010080	VOLET DE SKIMMER	
2	4402010160	BOUCHON AMORTISSEUR					

CODE **74035CL090, 74035CL129, 74035CL144**

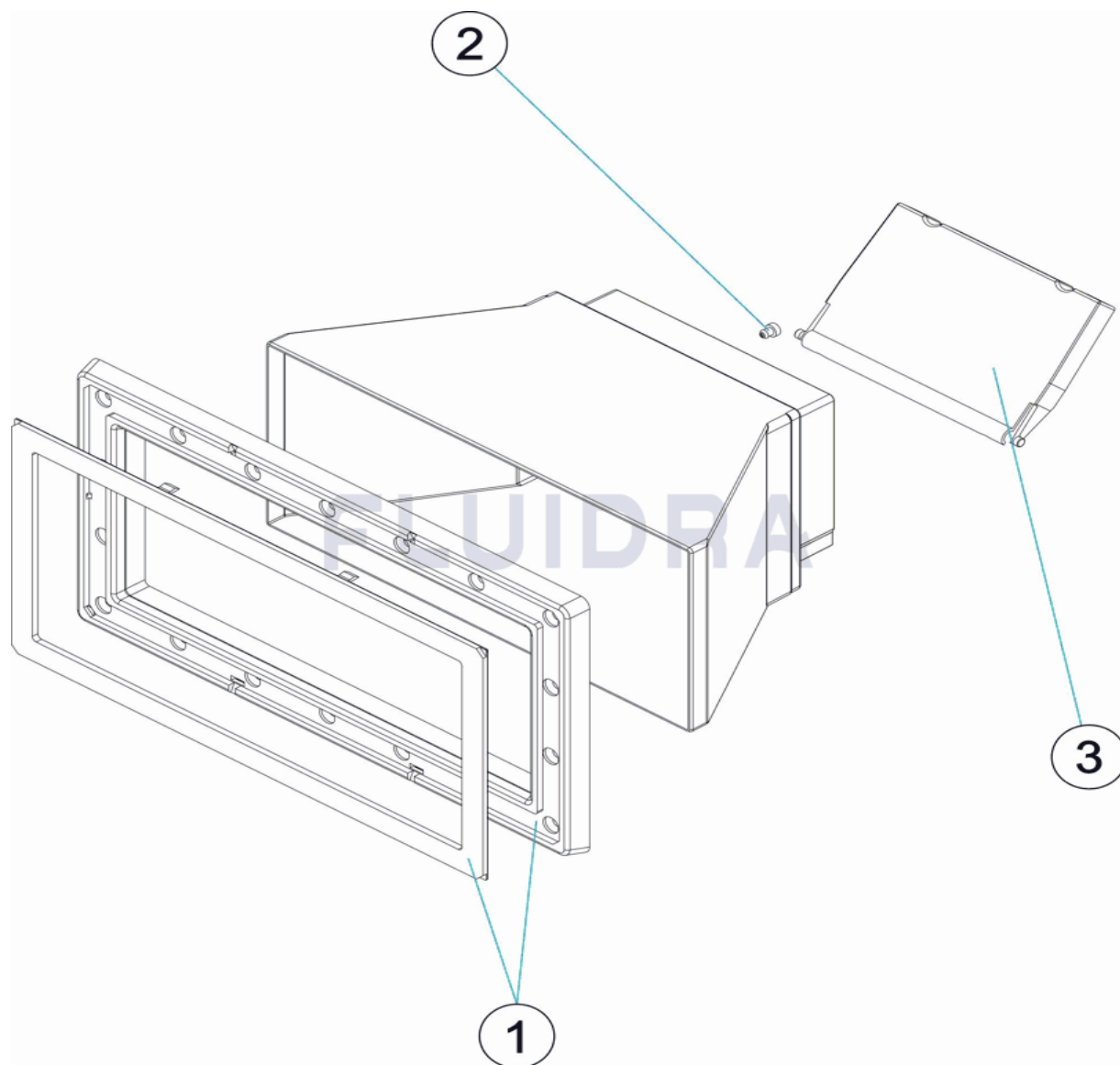
DESCRIPTION: **KIT EASYCOULEUR SKIMMER**

OBSERVATIONS

POS	CODE	OBSERVATIONS
1	* 4402010162	POUR: 74035CL090 BEIGE
1	* 4402010163	POUR: 74035CL129 GRIS / GREY
1	* 4402010164	POUR: 74035CL144 ANTRACITA / ANTHRACITE
4	* 4402010076	POUR: 74035CL090 BEIGE
4	* 4402010079	POUR: 74035CL129 GRIS / GREY
4	* 4402010080	POUR: 74035CL144 ANTRACITA / ANTHRACITE

CODE 74035CL090, 74035CL129, 74035CL144

DESCRIPTION: EASYCOLOR SKIMMER KIT



ENGLISH

POS	CODE	DESCRIPTION	QUANTITY	POS	CODE	DESCRIPTION	QUANTITY
1	* 4402010162	SKIMMER FRAME		4	* 4402010076	SKIMMER FLAP	
1	* 4402010163	SKIMMER FRAME		4	* 4402010079	SKIMMER FLAP	
1	* 4402010164	SKIMMER FRAME		4	* 4402010080	SKIMMER FLAP	
2	4402010160	SHOCK ABSORBER PLUG					

CODE **74035CL090, 74035CL129, 74035CL144**

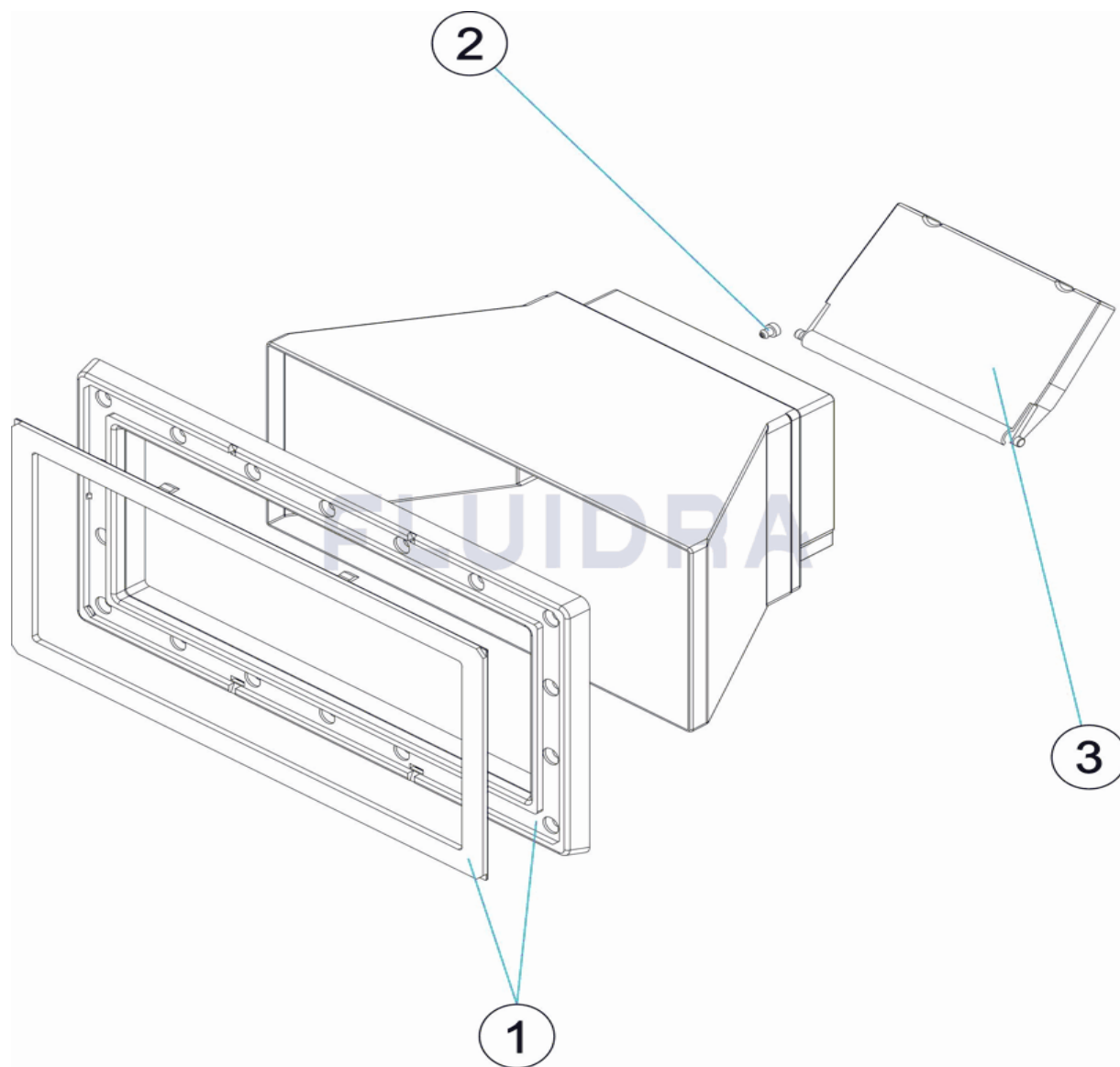
DESCRIPTION: **EASYCOLOR SKIMMER KIT**

OBSERVATIONS

POS	CODE	OBSERVATIONS
1	* 4402010162	FOR: 74035CL090 BEIGE
1	* 4402010163	FOR: 74035CL129 GRIS / GREY
1	* 4402010164	FOR: 74035CL144 ANTRACITA / ANTHRACITE
4	* 4402010076	FOR: 74035CL090 BEIGE
4	* 4402010079	FOR: 74035CL129 GRIS / GREY
4	* 4402010080	FOR: 74035CL144 ANTRACITA / ANTHRACITE

CODICE 74035CL090, 74035CL129, 74035CL144

DESCRIZIONE: KIT EASYCOLORE SKIMMER



ITALIANO

POS	CODICE	DESCRIZIONE	QUANTITA'	POS	CODICE	DESCRIZIONE	QUANTITA'
1	* 4402010162	FLANGIA BOCCA SKIMMER	4	* 4402010076	BATTENTE SKIMMER CON CLIP		
1	* 4402010163	FLANGIA BOCCA SKIMMER	4	* 4402010079	BATTENTE SKIMMER CON CLIP		
1	* 4402010164	FLANGIA BOCCA SKIMMER	4	* 4402010080	BATTENTE SKIMMER CON CLIP		
2	4402010160	TAPPO AMMORTIZZATORE					

CODICE **74035CL090, 74035CL129, 74035CL144**

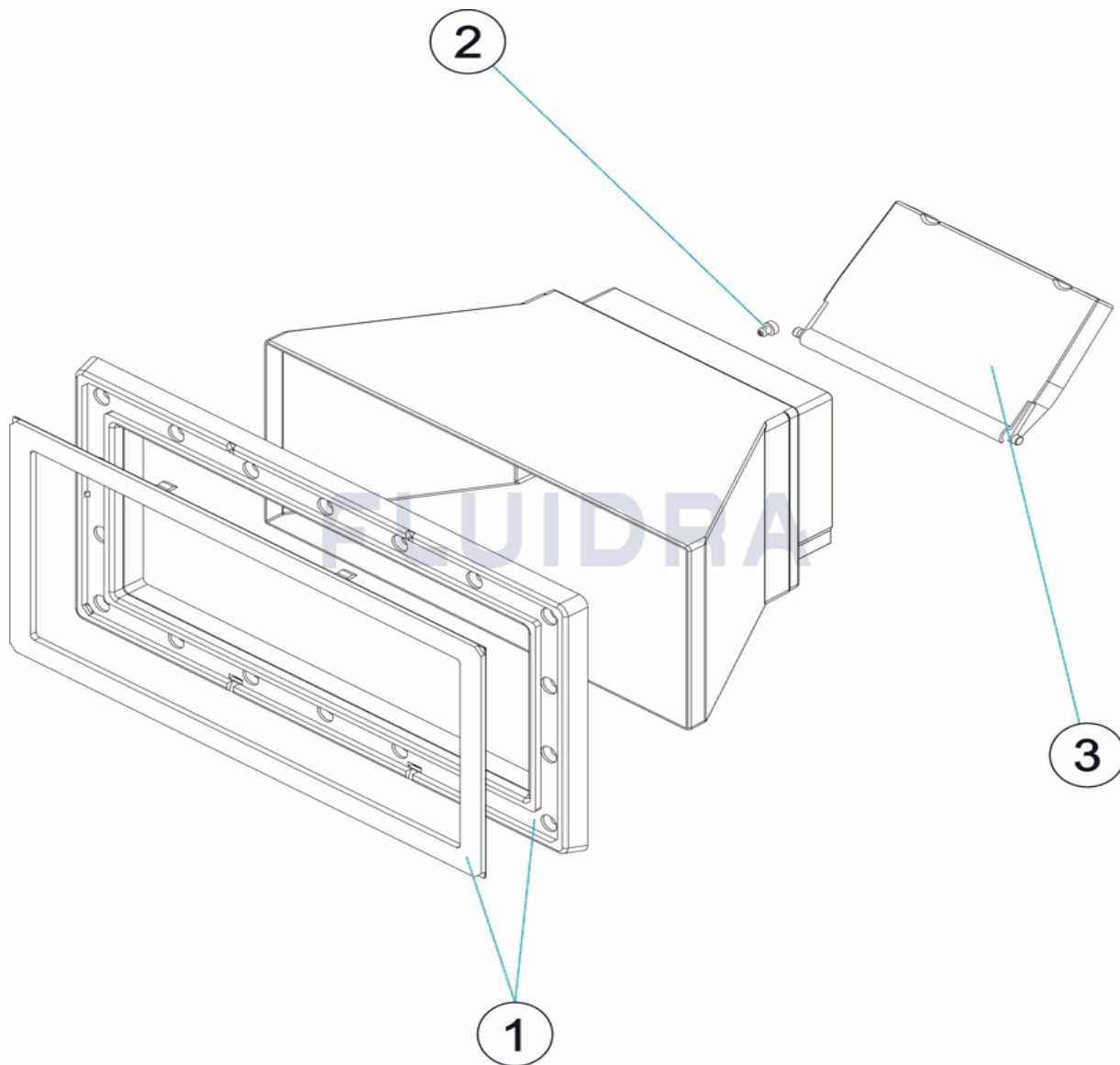
DESCRIZIONE: **KIT EASYCOLORE SKIMMER**

OSSERVAZIONI

POS	CODICE	OSSERVAZIONI
1	* 4402010162	PER: 74035CL090 BEIGE
1	* 4402010163	PER: 74035CL129 GRIS / GREY
1	* 4402010164	PER: 74035CL144 ANTRACITA / ANTHRACITE
4	* 4402010076	PER: 74035CL090 BEIGE
4	* 4402010079	PER: 74035CL129 GRIS / GREY
4	* 4402010080	PER: 74035CL144 ANTRACITA / ANTHRACITE

CODE 74035CL090, 74035CL129, 74035CL144

BESCHREIBUNG: SKIMMER EASYFARB-KIT



DEUTSCH

POS	CODE	BESCHREIBUNG	MENGE	POS	CODE	BESCHREIBUNG	MENGE
1	* 4402010162	RAHMEN SKIMMEREINLASS	4	* 4402010076	SKIMMERKLAPPE MIT CLIP		
1	* 4402010163	RAHMEN SKIMMEREINLASS	4	* 4402010079	SKIMMERKLAPPE MIT CLIP		
1	* 4402010164	RAHMEN SKIMMEREINLASS	4	* 4402010080	SKIMMERKLAPPE MIT CLIP		
2	4402010160	STOSSDÄMPFERSTOPFEN					

CODE **74035CL090, 74035CL129, 74035CL144**

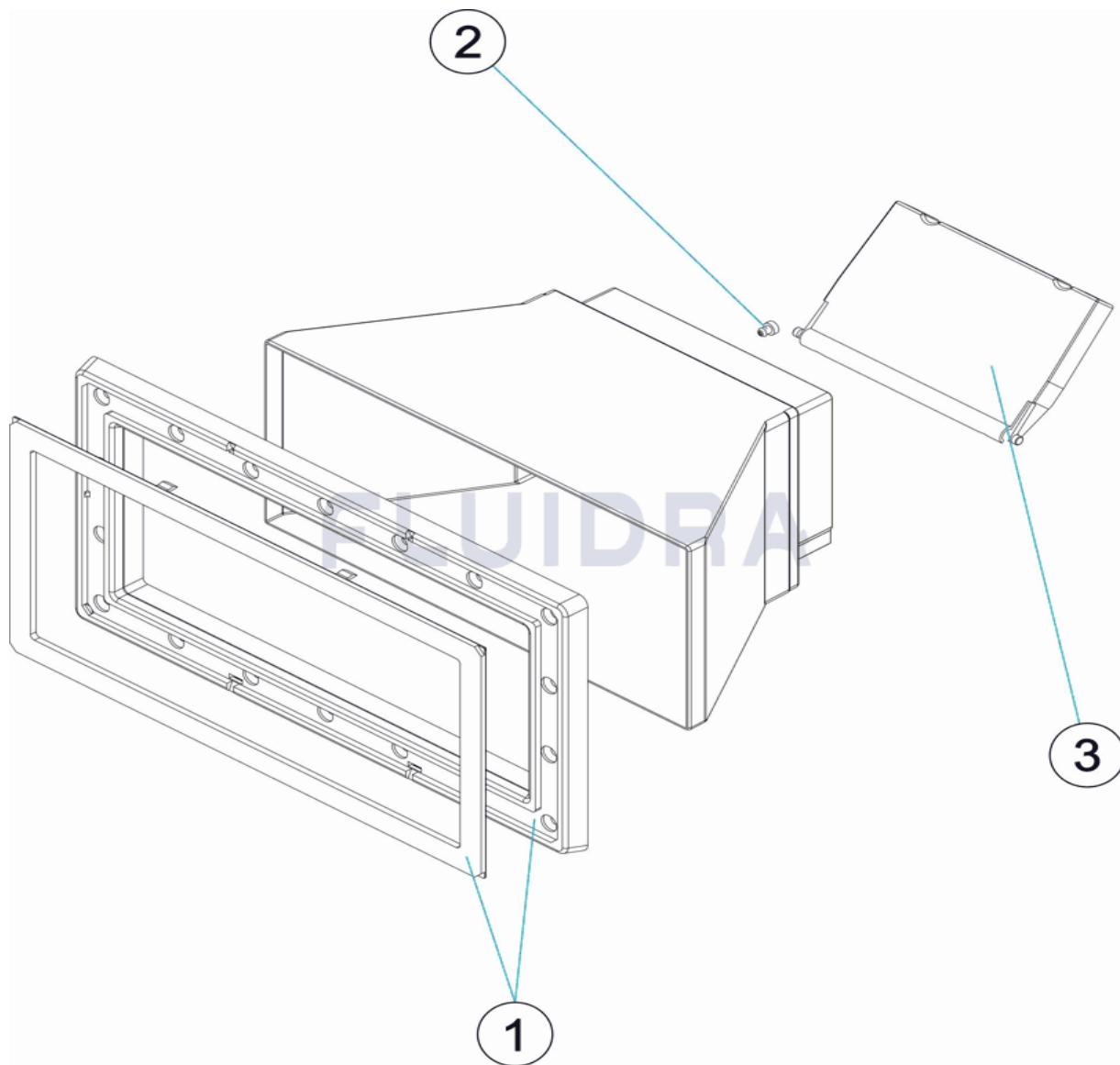
BESCHREIBUNG: **SKIMMER EASYFARB-KIT**

HINWEISE

POS	CODE	HINWEISE
1	* 4402010162	FÜR: 74035CL090 BEIGE
1	* 4402010163	FÜR: 74035CL129 GRIS / GREY
1	* 4402010164	FÜR: 74035CL144 ANTRACITA / ANTHRACITE
4	* 4402010076	FÜR: 74035CL090 BEIGE
4	* 4402010079	FÜR: 74035CL129 GRIS / GREY
4	* 4402010080	FÜR: 74035CL144 ANTRACITA / ANTHRACITE

CODIGO 74035CL090, 74035CL129, 74035CL144

DESCRIÇÃO: KIT EASYCOLOR SKIMMER



PORTUGUES

POS	CODIGO	DESCRIÇÃO	JANTIDADE	POS	CODIGO	DESCRIÇÃO	JANTIDADE
1	* 4402010162	CAIXILHO BOCA SKIMMER	4	* 4402010076	COMPORTA SKIMMER CLIP		
1	* 4402010163	CAIXILHO BOCA SKIMMER	4	* 4402010079	COMPORTA SKIMMER CLIP		
1	* 4402010164	CAIXILHO BOCA SKIMMER	4	* 4402010080	COMPORTA SKIMMER CLIP		
2	4402010160	TAMPÃO AMORTECEDOR					

CODIGO **74035CL090, 74035CL129, 74035CL144**

DESCRIÇÃO: KIT EASYCOLOR SKIMMER

OBSERVAÇÕES

POS	CODIGO	OBSERVAÇÕES
1	* 4402010162	PARA: 74035CL090 BEIGE
1	* 4402010163	PARA: 74035CL129 GRIS / GREY
1	* 4402010164	PARA: 74035CL144 ANTRACITA / ANTHRACITE
4	* 4402010076	PARA: 74035CL090 BEIGE
4	* 4402010079	PARA: 74035CL129 GRIS / GREY
4	* 4402010080	PARA: 74035CL144 ANTRACITA / ANTHRACITE