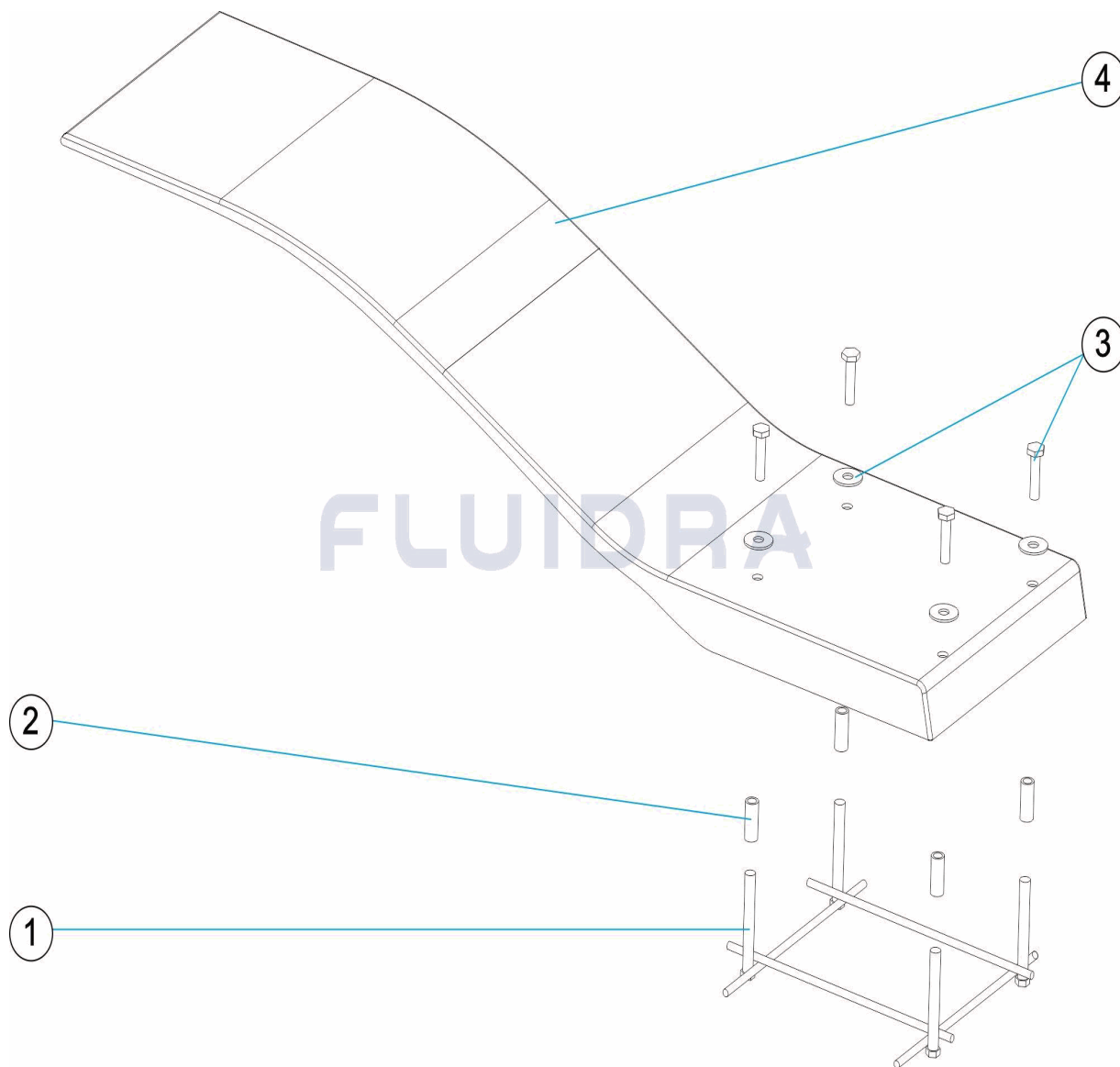


CODIGO **00076**

DESCRIPCION: **TRAMPOLIN CURBADO**

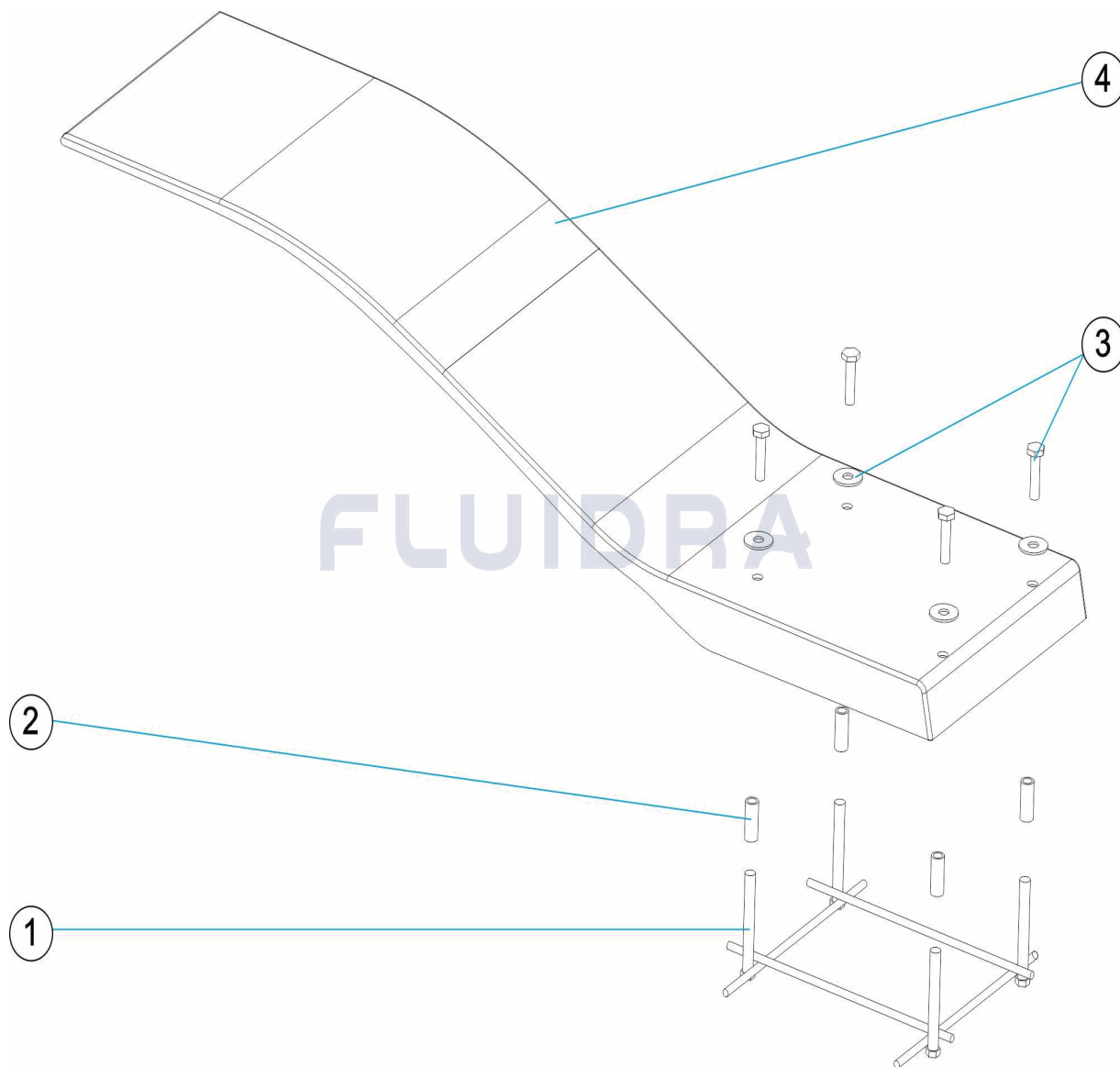


ESPAÑOL

POS	CODIGO	DESCRIPCION	CANTIDAD	POS	CODIGO	DESCRIPCION	CANTIDAD
1	4401020801	ANCLAJE TRAMPOLIN ELASTICO		3	4401020803	TORNILLERIA TRAMPOLIN ELASTICO	
2	4401020802	CASQUILLO ROSCADO TRAMPOLIN		4	00076R0050	PISTA TRAMPOLIN	

CODE **00076**

DESCRIPTION: **PLONGEOIR INCURVÉ**

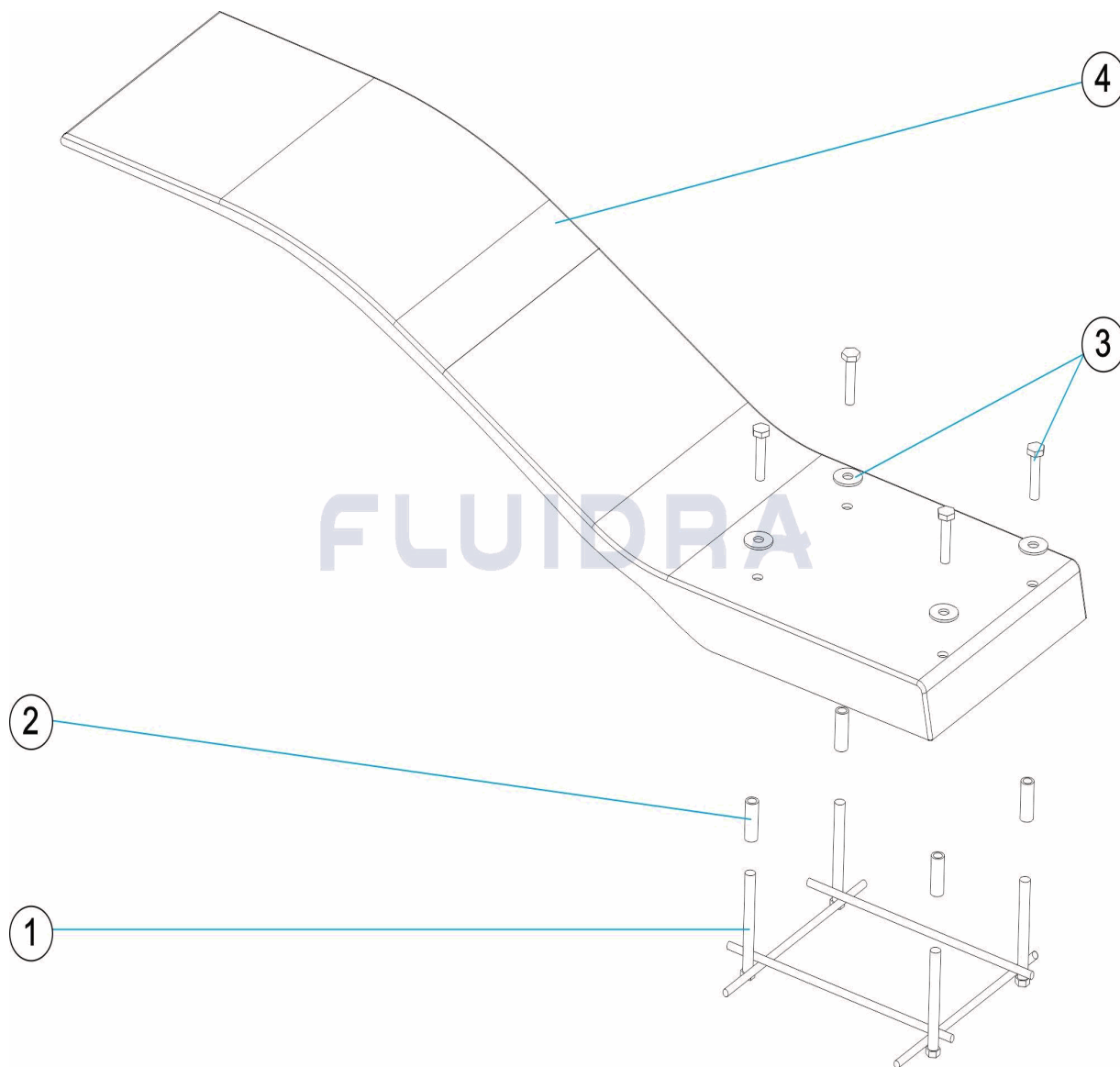


FRANCAIS

POS	CODE	DESCRIPTION	QUANTITE	POS	CODE	DESCRIPTION	QUANTITE
1	4401020801	ANCORAGE PLONGEOIR		3	4401020803	VISSERIE DE PLONGEOIR Z	
2	4401020802	ENTRETOISES BZE		4	00076R0050	PISTE PLONGEOIR	

CODE **00076**

DESCRIPTION: **POOL CURB SPRINGBOARD**

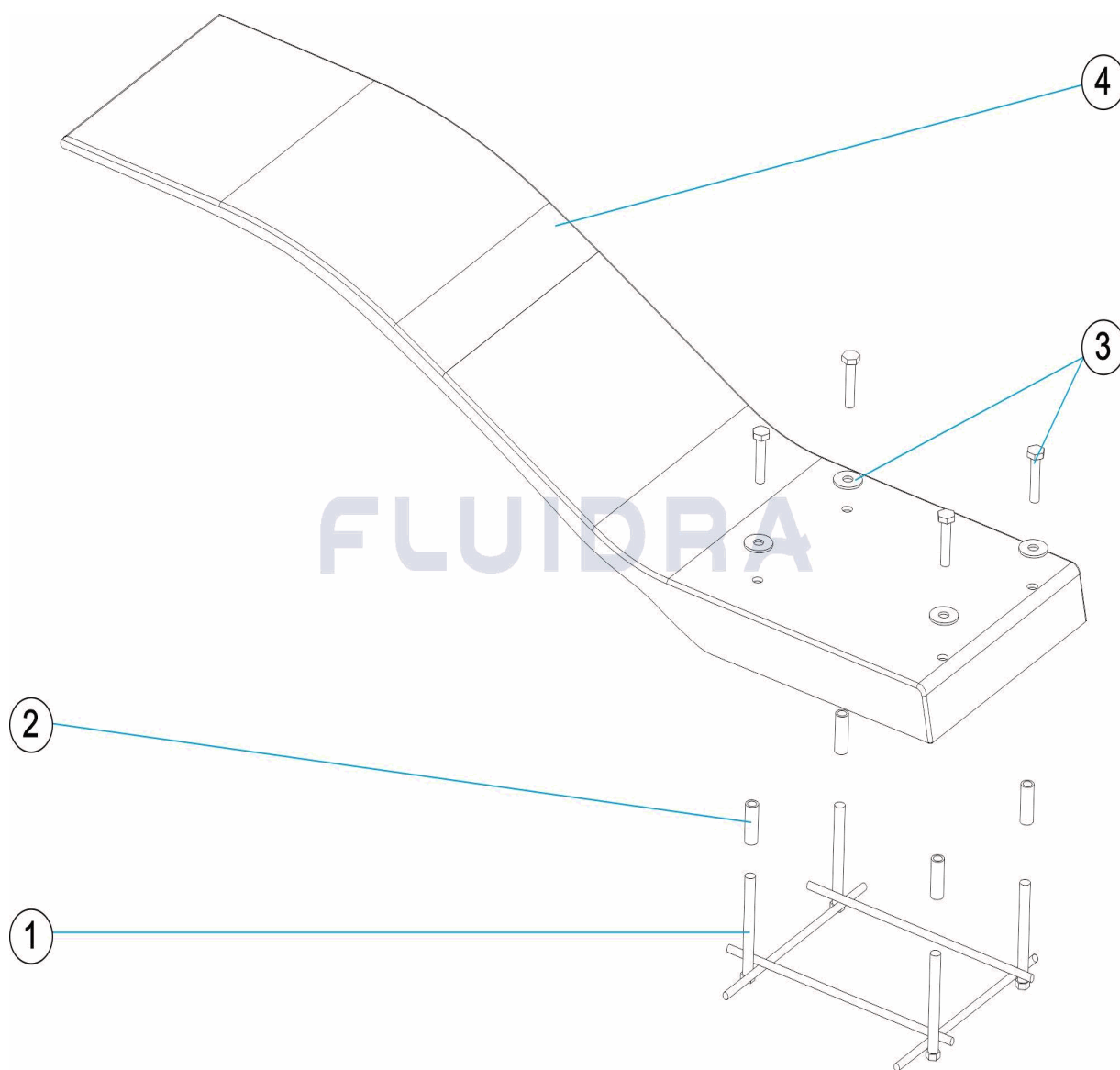


ENGLISH

POS	CODE	DESCRIPTION	QUANTITY	POS	CODE	DESCRIPTION	QUANTITY
1	4401020801	SPRINGBOARD ANCHOR		3	4401020803	SPRINGBOARD BOLT SET	
2	4401020802	THREADED COUPLER		4	00076R0050	SPRINGBOARD	

CODICE **00076**

DESCRIZIONE: **TRAMPOLINO CURVATO**

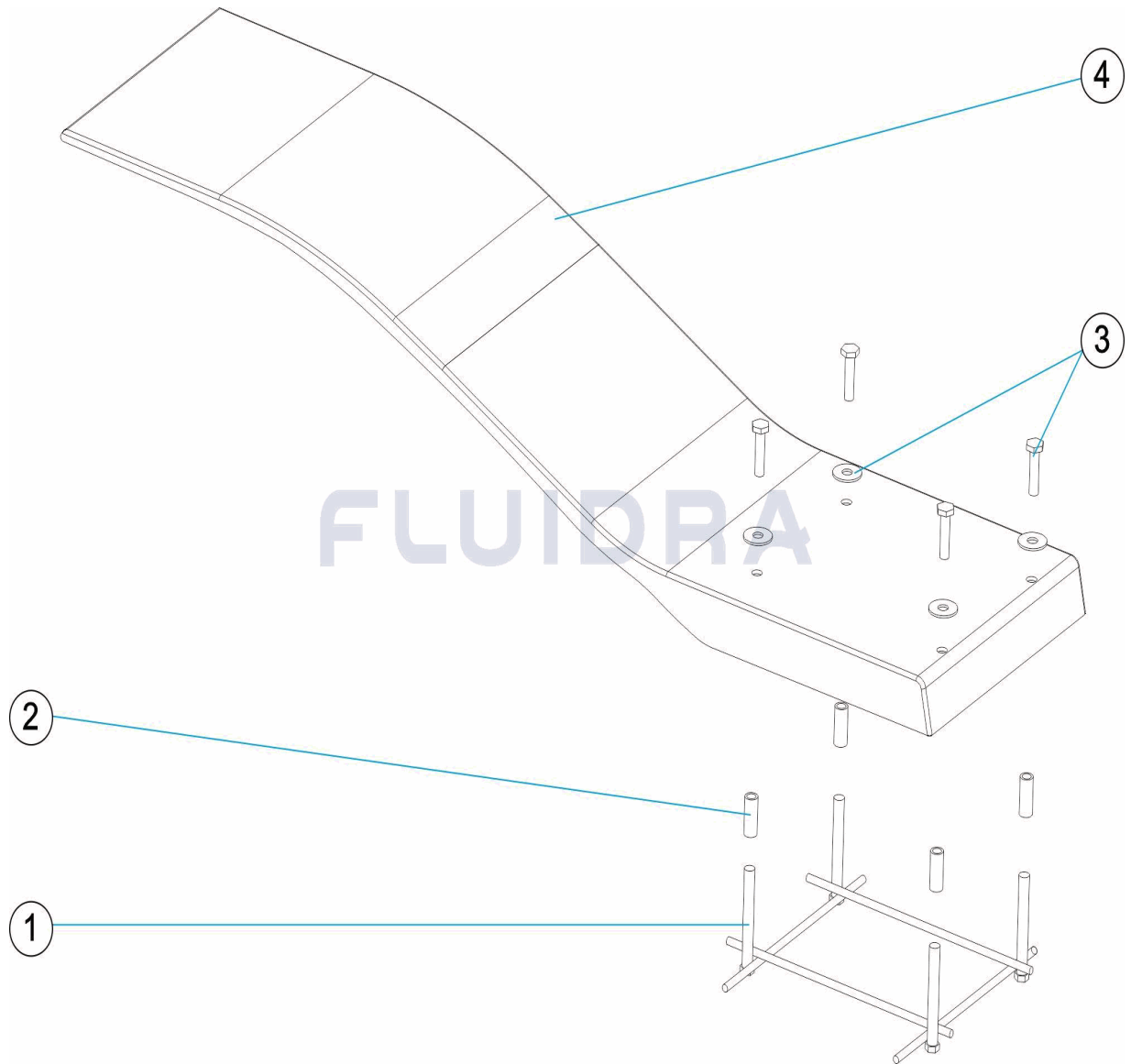


ITALIANO

POS	CODICE	DESCRIZIONE	QUANTITA'	POS	CODICE	DESCRIZIONE	QUANTITA'
1	4401020801	ANCORAGGIO TRAMPOLINO		3	4401020803	BULLONERIA TRAMPOLINO	
2	4401020802	BUSSOLA FILETTATA TRAMPOLINO		4	00076R0050	PISTA TRAMPOLINO	

CODE **00076**

BESCHREIBUNG: **SPRUNGBRETT GEKRÜMMT**

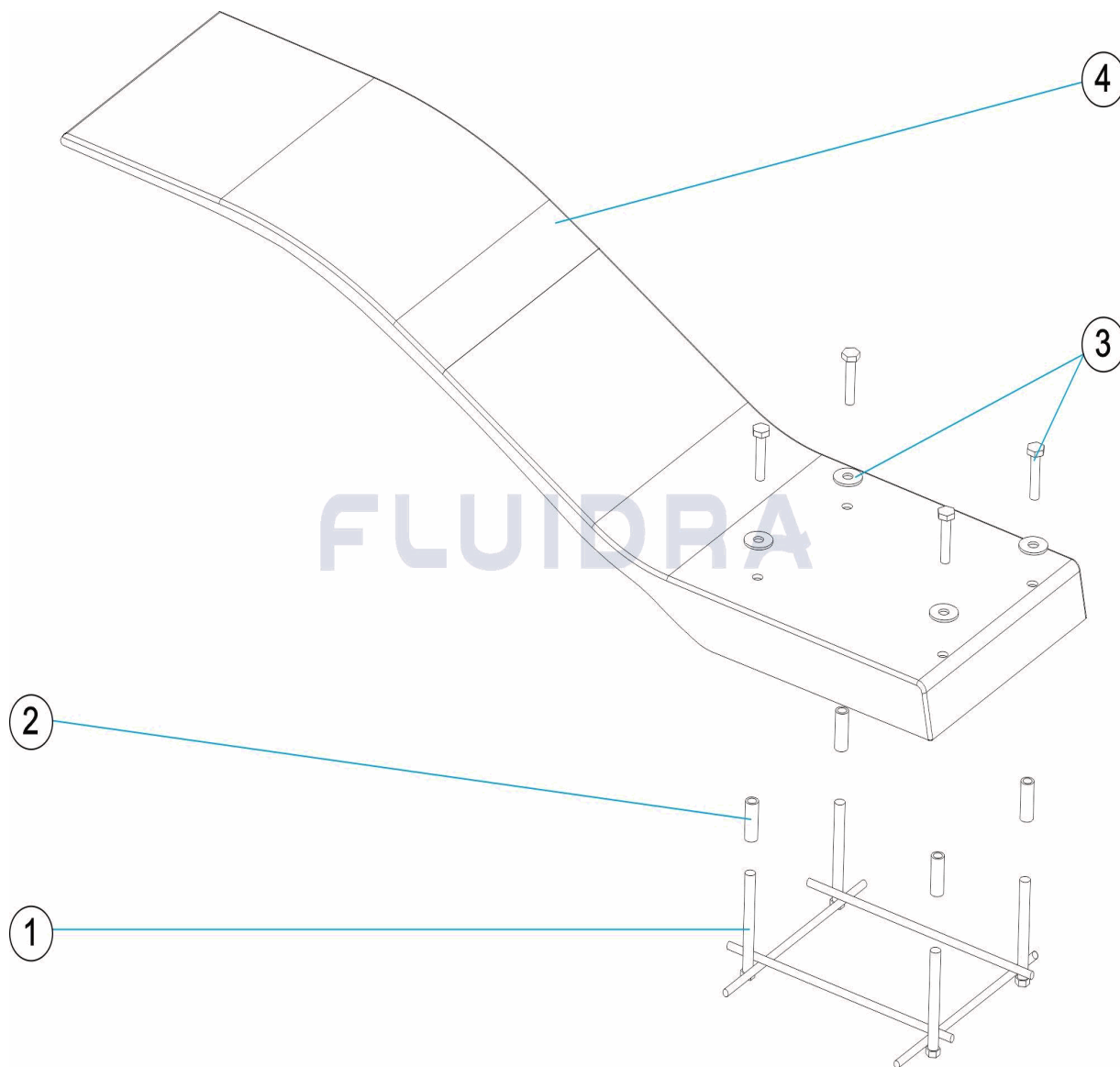


DEUTSCH

POS	CODE	BESCHREIBUNG	MENGE	POS	CODE	BESCHREIBUNG	MENGE
1	4401020801	VERANKERUNG SPRUNGBRETT		3	4401020803	SCHRAUBENSATZ SPRUNGBRETT	
2	4401020802	GEWINDEFASSUNG SPRUNGBRETT		4	00076R0050	SPRUNGBRETT	

CODIGO **00076**

DESCRIÇÃO: **TRAMPOLIM CURVADO**



PORTUGUES

POS	CODIGO	DESCRIÇÃO	JANTIDADE	POS	CODIGO	DESCRIÇÃO	JANTIDADE
1	4401020801	ÂNCORA TRAMPOLIM		3	4401020803	PARAFUSOS TRAMPOLIM	
2	4401020802	CASQUILHO ROSCADO		4	00076R0050	PISTA TRAMPOLIM	