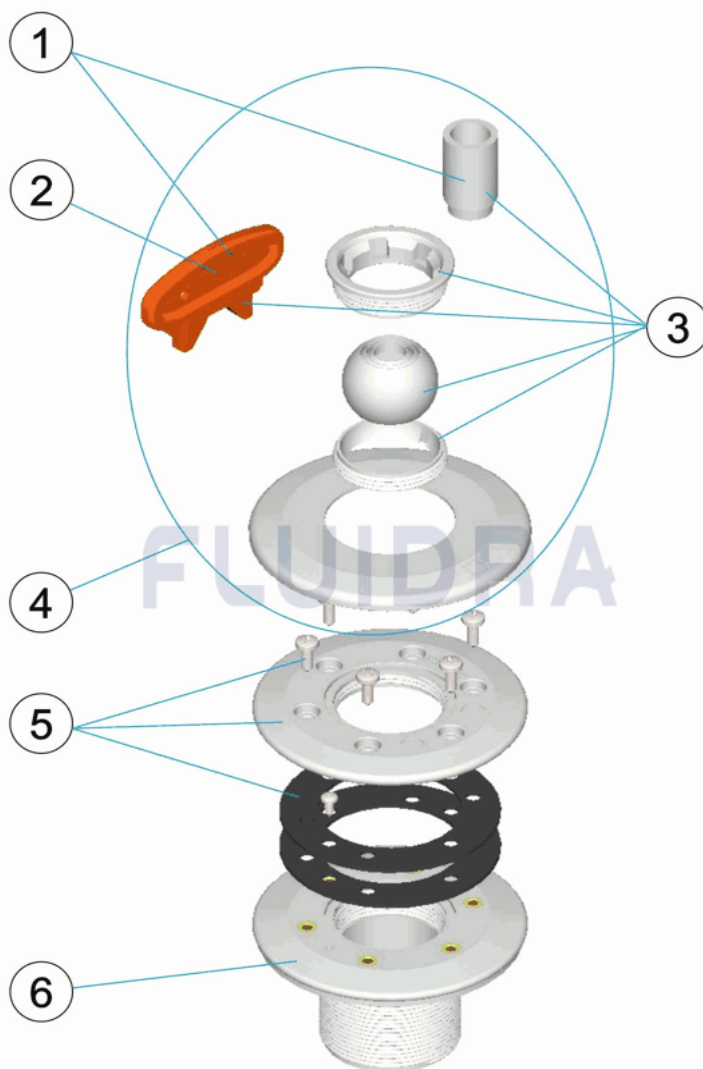


CODIGO 17383, 17383CL090, 17383CL129, 17383CL144

DESCRIPCION: BOQUILLA IMPULSION MULTIFLOW PISC. LINER



ESPAÑOL

POS	CODIGO	DESCRIPCION	CANTIDAD	POS	CODIGO	DESCRIPCION	CANTIDAD
1	4402040093	LLAVE BOQUILLA		4	* 4402040301	BOLA MULTIFLOW COMPLETA	
2	4402040304	LLAVE BOQUILLA		4	* 4402040051	BOLA MULTIFLOW COMPLETA	
3	* 4411030311	BOLA MULTIFLOW SKIMMER MOCHILA		4	* 4402040052	BOLA MULTIFLOW COMPLETA	
3	* 4402040054	BOLA MULTIFLOW SKIMMER MOCHILA		4	* 4402040053	BOLA MULTIFLOW COMPLETA	
3	* 4402040055	BOLA MULTIFLOW SKIMMER MOCHILA		5	4402041702	ARO Y JUNTA PISC. PREF.	
3	* 4402040056	BOLA MULTIFLOW SKIMMER MOCHILA		6	00329R0100	BASE BOQUILLA	

CODIGO **17383, 17383CL090, 17383CL129, 17383CL144**

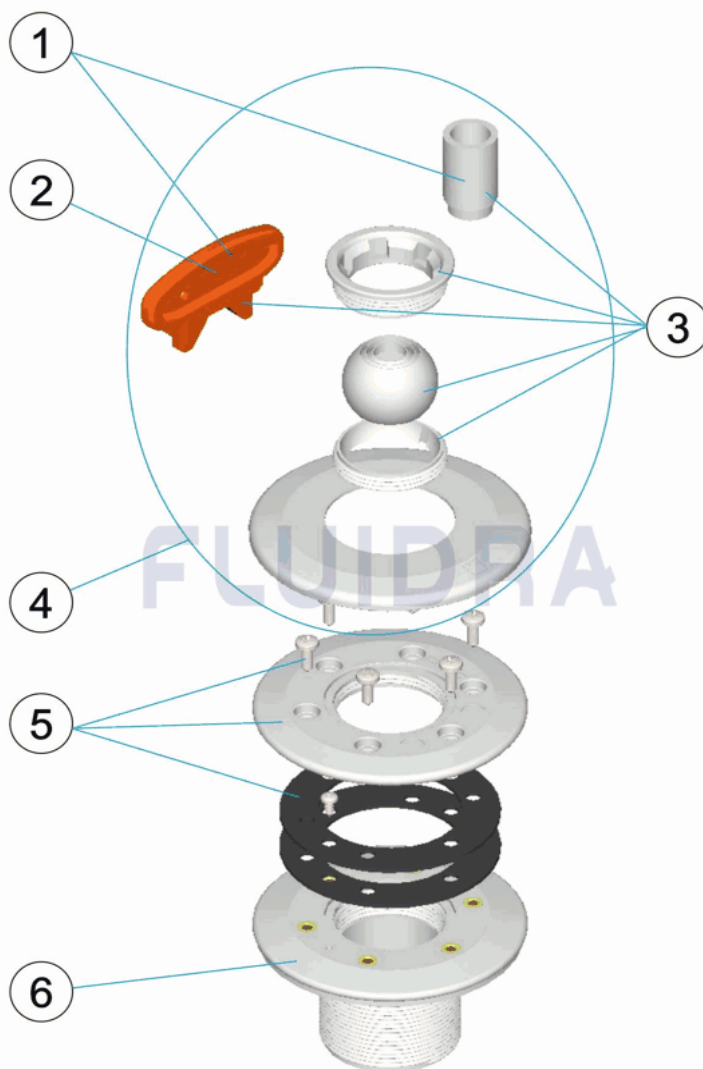
DESCRIPCION: BOQUILLA IMPULSION MULTIFLOW PISC. LINER

OBSERVACIONES

POS	CODIGO	OBSERVACIONES
3	* 4411030311	PARA: 17383 BLANCO / WHITE
3	* 4402040054	PARA: 17383CL090 BEIGE
3	* 4402040055	PARA: 17383CL129 GRIS / GREY
3	* 4402040056	PARA: 17383CL144 ANTRACITA / ANTHRACITE
4	* 4402040301	PARA: 17383 BLANCO / WHITE
4	* 4402040051	PARA: 17383CL090 BEIGE
4	* 4402040052	PARA: 17383CL129 GRIS / GREY
4	* 4402040053	PARA: 17383CL144 ANTRACITA / ANTHRACITE

CODE 17383, 17383CL090, 17383CL129, 17383CL144

DESCRIPTION: BUSE REFOULEMENT MULTIFLOW PISC. LINER



FRANCAIS

POS	CODE	DESCRIPTION	QUANTITE	POS	CODE	DESCRIPTION	QUANTITE
1	4402040093	CLEF POUR BUSE		4	* 4402040301	ENSEMBLE ROTULE MULTIFLOW COMPLET	
2	4402040304	CLEF POUR BUSE		4	* 4402040051	ENSEMBLE ROTULE MULTIFLOW COMPLET	
3	* 4411030311	ROTULE MULTIFLOW SKIMMER MONOBLC		4	* 4402040052	ENSEMBLE ROTULE MULTIFLOW COMPLET	
3	* 4402040054	ROTULE MULTIFLOW SKIMMER MONOBLC		4	* 4402040053	ENSEMBLE ROTULE MULTIFLOW COMPLET	
3	* 4402040055	ROTULE MULTIFLOW SKIMMER MONOBLC		5	4402041702	JOINT ET BRIDE POUR LINER	
3	* 4402040056	ROTULE MULTIFLOW SKIMMER MONOBLC		6	00329R0100	CORPS DE LA BUSE	

CODE **17383, 17383CL090, 17383CL129, 17383CL144**

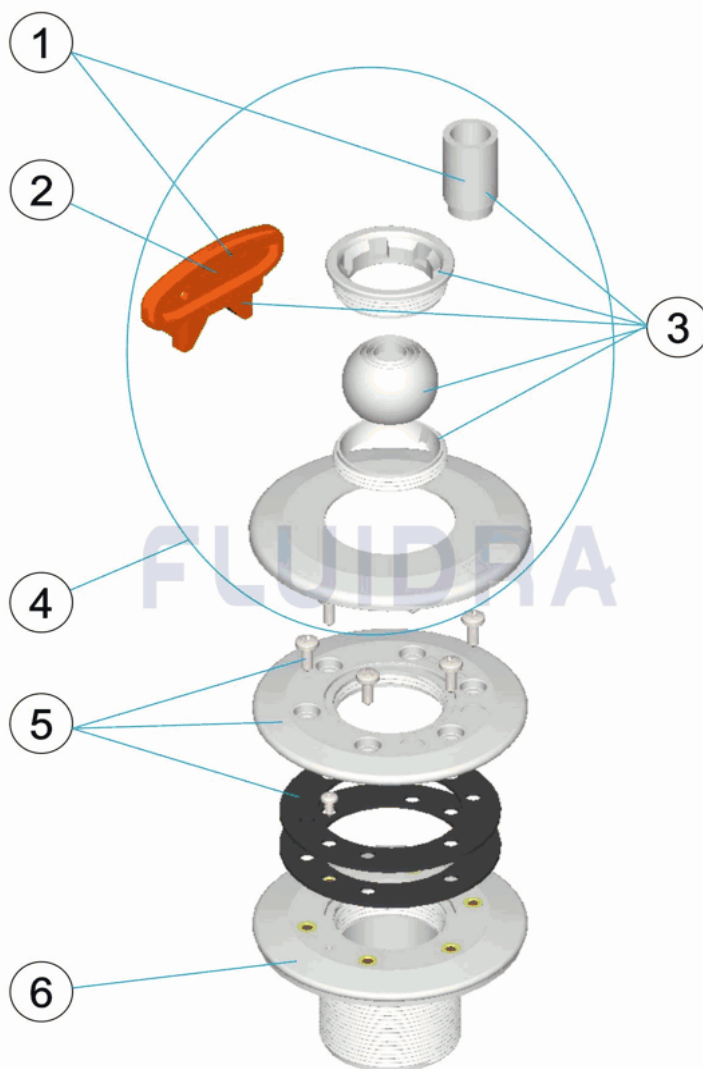
DESCRIPTION: **BUSE REFOULEMENT MULTIFLOW PISC. LINER**

OBSERVATIONS

POS	CODE	OBSERVATIONS
3	* 4411030311	POUR: 17383 BLANCO / WHITE
3	* 4402040054	POUR: 17383CL090 BEIGE
3	* 4402040055	POUR: 17383CL129 GRIS / GREY
3	* 4402040056	POUR: 17383CL144 ANTRACITA / ANTHRACITE
4	* 4402040301	POUR: 17383 BLANCO / WHITE
4	* 4402040051	POUR: 17383CL090 BEIGE
4	* 4402040052	POUR: 17383CL129 GRIS / GREY
4	* 4402040053	POUR: 17383CL144 ANTRACITA / ANTHRACITE

CODE 17383, 17383CL090, 17383CL129, 17383CL144

DESCRIPTION: MULTIFLOW RETURN INLET POOL LINER



ENGLISH

POS	CODE	DESCRIPTION	QUANTITY	POS	CODE	DESCRIPTION	QUANTITY
1	4402040093	KEY FOR INLET		4	* 4402040301	MULTIFLOW EYEBALL ASSEMBLY	
2	4402040304	KEY FOR INLET		4	* 4402040051	MULTIFLOW EYEBALL ASSEMBLY	
3	* 4411030311	MULTIFLOW BALL, UNIVER. SKIMMER		4	* 4402040052	MULTIFLOW EYEBALL ASSEMBLY	
3	* 4402040054	MULTIFLOW BALL, UNIVER. SKIMMER		4	* 4402040053	MULTIFLOW EYEBALL ASSEMBLY	
3	* 4402040055	MULTIFLOW BALL, UNIVER. SKIMMER		5	4402041702	RING AND GASKET FOR LINER POOLS	
3	* 4402040056	MULTIFLOW BALL, UNIVER. SKIMMER		6	00329R0100	INLET BASE	

CODE **17383, 17383CL090, 17383CL129, 17383CL144**

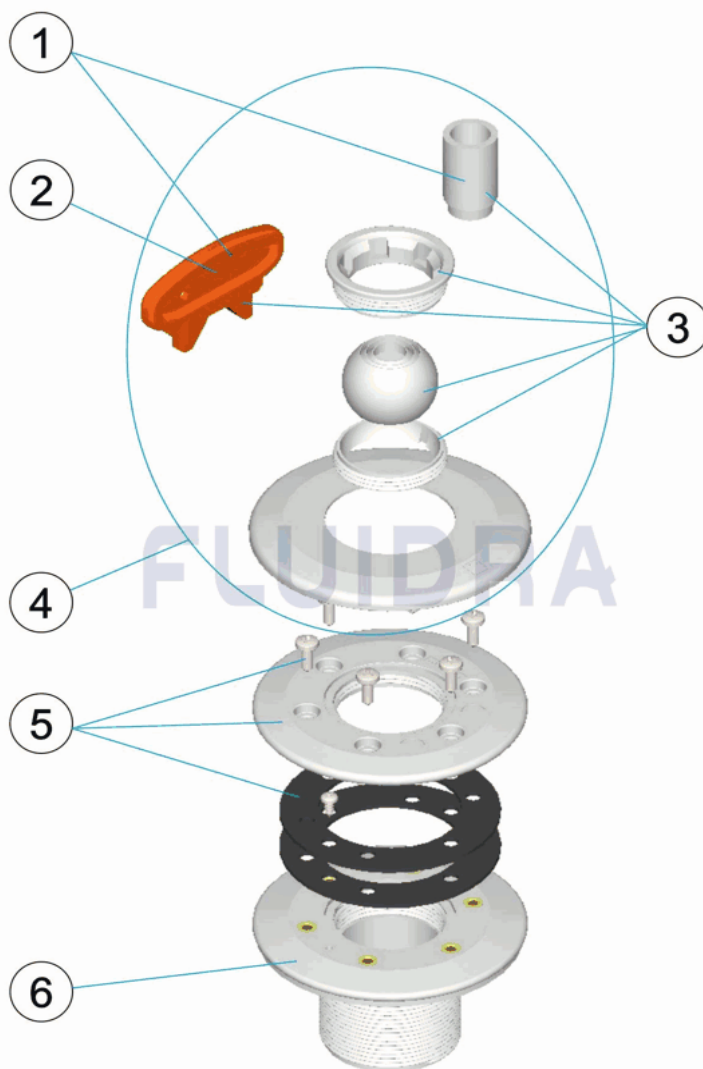
DESCRIPTION: **MULTIFLOW RETURN INLET POOL LINER**

OBSERVATIONS

POS	CODE	OBSERVATIONS
3	* 4411030311	FOR: 17383 BLANCO / WHITE
3	* 4402040054	FOR: 17383CL090 BEIGE
3	* 4402040055	FOR: 17383CL129 GRIS / GREY
3	* 4402040056	FOR: 17383CL144 ANTRACITA / ANTHRACITE
4	* 4402040301	FOR: 17383 BLANCO / WHITE
4	* 4402040051	FOR: 17383CL090 BEIGE
4	* 4402040052	FOR: 17383CL129 GRIS / GREY
4	* 4402040053	FOR: 17383CL144 ANTRACITA / ANTHRACITE

CODICE 17383, 17383CL090, 17383CL129, 17383CL144

DESCRIZIONE: BOCCHETTA IMPULSIONE MULTIFLOW PISC. LINER



ITALIANO

POS	CODICE	DESCRIZIONE	QUANTITA'	POS	CODICE	DESCRIZIONE	QUANTITA'
1	4402040093	CHIAVE		4	* 4402040301	SFERA MULTIFLOW COMPLETA	
2	4402040304	CHIAVE		4	* 4402040051	SFERA MULTIFLOW COMPLETA	
3	* 4411030311	SFERA MULTI-FLOW SKIMMER		4	* 4402040052	SFERA MULTIFLOW COMPLETA	
3	* 4402040054	SFERA MULTI-FLOW SKIMMER		4	* 4402040053	SFERA MULTIFLOW COMPLETA	
3	* 4402040055	SFERA MULTI-FLOW SKIMMER		5	4402041702	COPRIFLANGIA E GUARNIZIONE PISC. PRE	
3	* 4402040056	SFERA MULTI-FLOW SKIMMER		6	00329R0100	BASE BOCCHETTA	

CODICE **17383, 17383CL090, 17383CL129, 17383CL144**

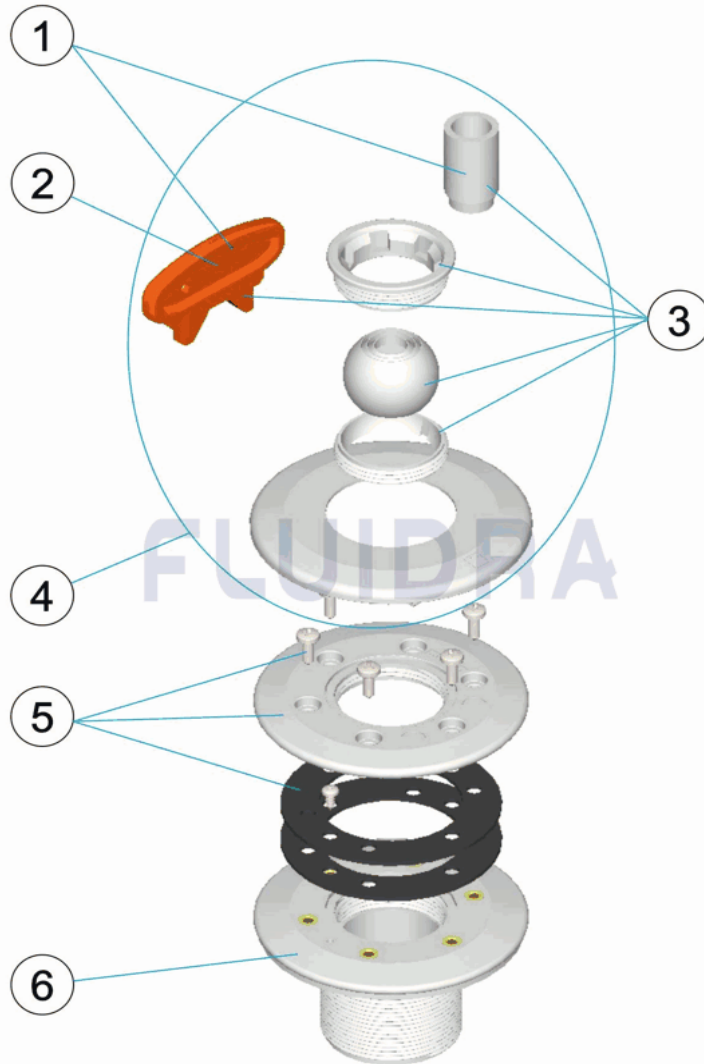
DESCRIZIONE: BOCCHETTA IMPULSIONE MULTIFLOW PISC. LINER

OSSERVAZIONI

POS	CODICE	OSSERVAZIONI
3	* 4411030311	PER: 17383 BLANCO / WHITE
3	* 4402040054	PER: 17383CL090 BEIGE
3	* 4402040055	PER: 17383CL129 GRIS / GREY
3	* 4402040056	PER: 17383CL144 ANTRACITA / ANTHRACITE
4	* 4402040301	PER: 17383 BLANCO / WHITE
4	* 4402040051	PER: 17383CL090 BEIGE
4	* 4402040052	PER: 17383CL129 GRIS / GREY
4	* 4402040053	PER: 17383CL144 ANTRACITA / ANTHRACITE

CODE 17383, 17383CL090, 17383CL129, 17383CL144

BESCHREIBUNG: EINLAUFDÜSE MULTIFLOW FERTIGBECKEN FOLIE



DEUTSCH

POS	CODE	BESCHREIBUNG	MENGE	POS	CODE	BESCHREIBUNG	MENGE
1	4402040093	SCHLÜSSEL DÜSE	4	* 4402040301	MULTIFLOWKUGEL KOMPLETT		
2	4402040304	SCHLÜSSEL DÜSE	4	* 4402040051	MULTIFLOWKUGEL KOMPLETT		
3	* 4411030311	MULTIFLOWKUGEL SKIMMER BEUTEL	4	* 4402040052	MULTIFLOWKUGEL KOMPLETT		
3	* 4402040054	MULTIFLOWKUGEL SKIMMER BEUTEL	4	* 4402040053	MULTIFLOWKUGEL KOMPLETT		
3	* 4402040055	MULTIFLOWKUGEL SKIMMER BEUTEL	5	4402041702	RING UND DICHTUNG FERTIGBECKEN		
3	* 4402040056	MULTIFLOWKUGEL SKIMMER BEUTEL	6	00329R0100	DÜSENBASIS		

CODE **17383, 17383CL090, 17383CL129, 17383CL144**

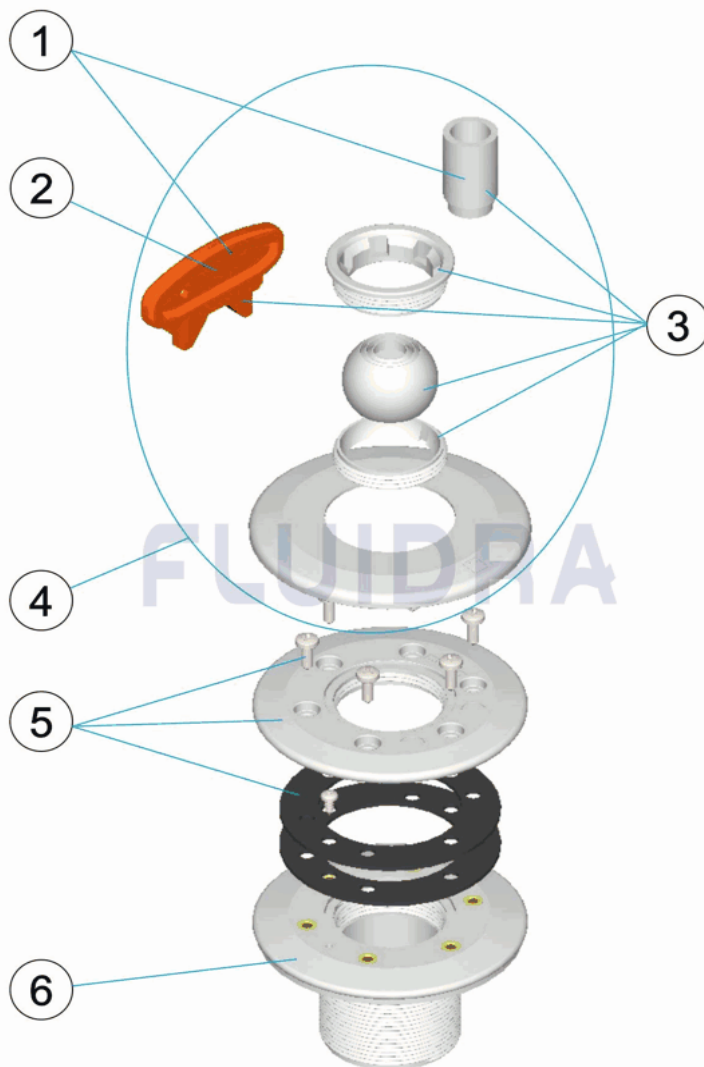
BESCHREIBUNG: **EINLAUFDÜSE MULTIFLOW FERTIGBECKEN FOLIE**

HINWEISE

POS	CODE	HINWEISE
3	* 4411030311	FÜR: 17383 BLANCO / WHITE
3	* 4402040054	FÜR: 17383CL090 BEIGE
3	* 4402040055	FÜR: 17383CL129 GRIS / GREY
3	* 4402040056	FÜR: 17383CL144 ANTRACITA / ANTHRACITE
4	* 4402040301	FÜR: 17383 BLANCO / WHITE
4	* 4402040051	FÜR: 17383CL090 BEIGE
4	* 4402040052	FÜR: 17383CL129 GRIS / GREY
4	* 4402040053	FÜR: 17383CL144 ANTRACITA / ANTHRACITE

CODIGO 17383, 17383CL090, 17383CL129, 17383CL144

DESCRIÇÃO: BOQUILHA IMPULSÃO MULTIFLOW PISC. LINER



PORTUGUES

POS	CODIGO	DESCRIÇÃO	JANTIDADE	POS	CODIGO	DESCRIÇÃO	JANTIDADE
1	4402040093	CHAVE BOCA		4	* 4402040301	BOLA MULTIFLOW COMPLETA	
2	4402040304	CHAVE BOCA		4	* 4402040051	BOLA MULTIFLOW COMPLETA	
3	* 4411030311	BOLA MULTIFLOW SKIMMER MOCHILA		4	* 4402040052	BOLA MULTIFLOW COMPLETA	
3	* 4402040054	BOLA MULTIFLOW SKIMMER MOCHILA		4	* 4402040053	BOLA MULTIFLOW COMPLETA	
3	* 4402040055	BOLA MULTIFLOW SKIMMER MOCHILA		5	4402041702	ARO E JUNTA PISCINA PRE-FABRICADA	
3	* 4402040056	BOLA MULTIFLOW SKIMMER MOCHILA		6	00329R0100	BASE BOCA	

CODIGO 17383, 17383CL090, 17383CL129, 17383CL144

DESCRIÇÃO: BOQUILHA IMPULSÃO MULTIFLOW PISC. LINER

OBSERVACÕES

POS	CODIGO	OBSERVACÕES
3	* 4411030311	PARA: 17383 BLANCO / WHITE
3	* 4402040054	PARA: 17383CL090 BEIGE
3	* 4402040055	PARA: 17383CL129 GRIS / GREY
3	* 4402040056	PARA: 17383CL144 ANTRACITA / ANTHRACITE
4	* 4402040301	PARA: 17383 BLANCO / WHITE
4	* 4402040051	PARA: 17383CL090 BEIGE
4	* 4402040052	PARA: 17383CL129 GRIS / GREY
4	* 4402040053	PARA: 17383CL144 ANTRACITA / ANTHRACITE