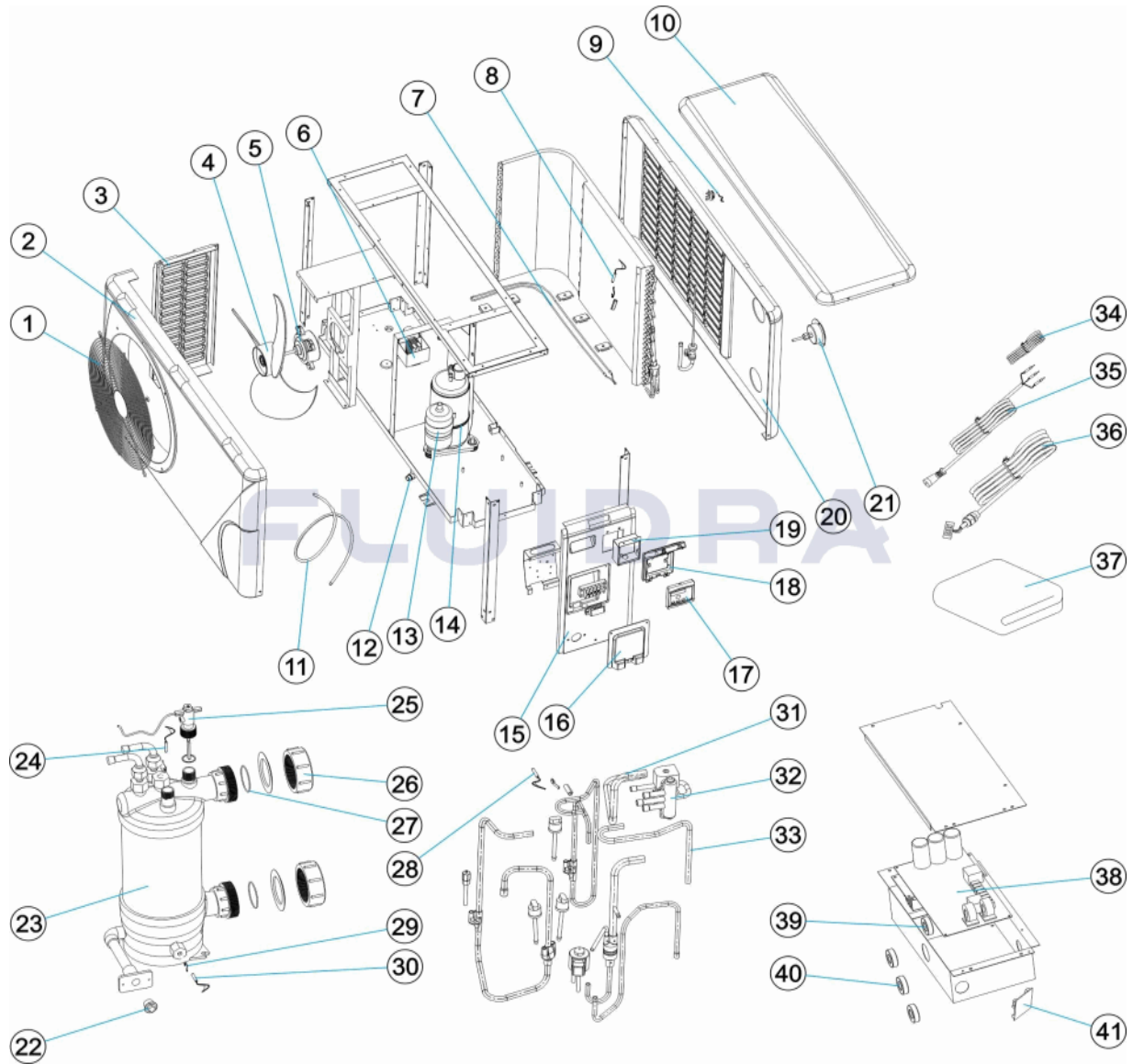


CODIGO **68815**

DESCRIPCION: **PRO ELYO INVERBOOST NN**



**ESPAÑOL**

POS	CODIGO	DESCRIPCION	CANTIDAD	POS	CODIGO	DESCRIPCION	CANTIDAD
1	ZX108140011	REJILLA FRONTAL		16	ZX1330500261	CUBIERTA TERMINALES	
2	ZX1330500081	PANEL FRONTAL		17	ZX117020150	CONTROLADOR	
3	ZX1330500571	PANEL IZQUIERDO		18	66108R0017	CAJA CONTROLADOR IMPERMEABLE	
4	ZX132000010	ASPAS VENTILADOR		19	ZX108010018	CAJA DE CABLEADO	
5	ZX112000041	MOTOR VENTILADOR		20	ZX1330500561	PANEL TRASERO	
6	68761R0006	REACTOR		21	66108R0016	MANOMETRO	
7	ZX142000078	ABRAZADERA TERMOSTATO EVAPORADO		22	ZX150000110	TAPON PURGA	
8	ZX117110004	SENSOR TEMPERATURA TUBO		23	ZX102040501	INTERCAMBIADOR DE TITANIO	
9	ZX117110020	SENSOR TEMPERATURA AMBIENTE		24	ZX117110011	SENSOR TEMPERATURA SALIDA AGUA	
10	ZX1330500221	TAPA SUPERIOR		25	ZX112100021-1	FLUJOSTATO	
11	ZX136010024	MANGUERA DE DRENAJE		26	66108R0018	KIT DE CONEXIÓN AGUA	
12	ZX136010023	BOQUILLA DE AGUA		27	ZX133020026	JUNTA TORICA	
13	ZX101000142	COMPRESOR		28	ZX117110021	SENSOR TEMPERATURA ESCAPE	

**CODIGO 68815**

**DESCRIPCION: PRO ELYO INVERBOOST NN**

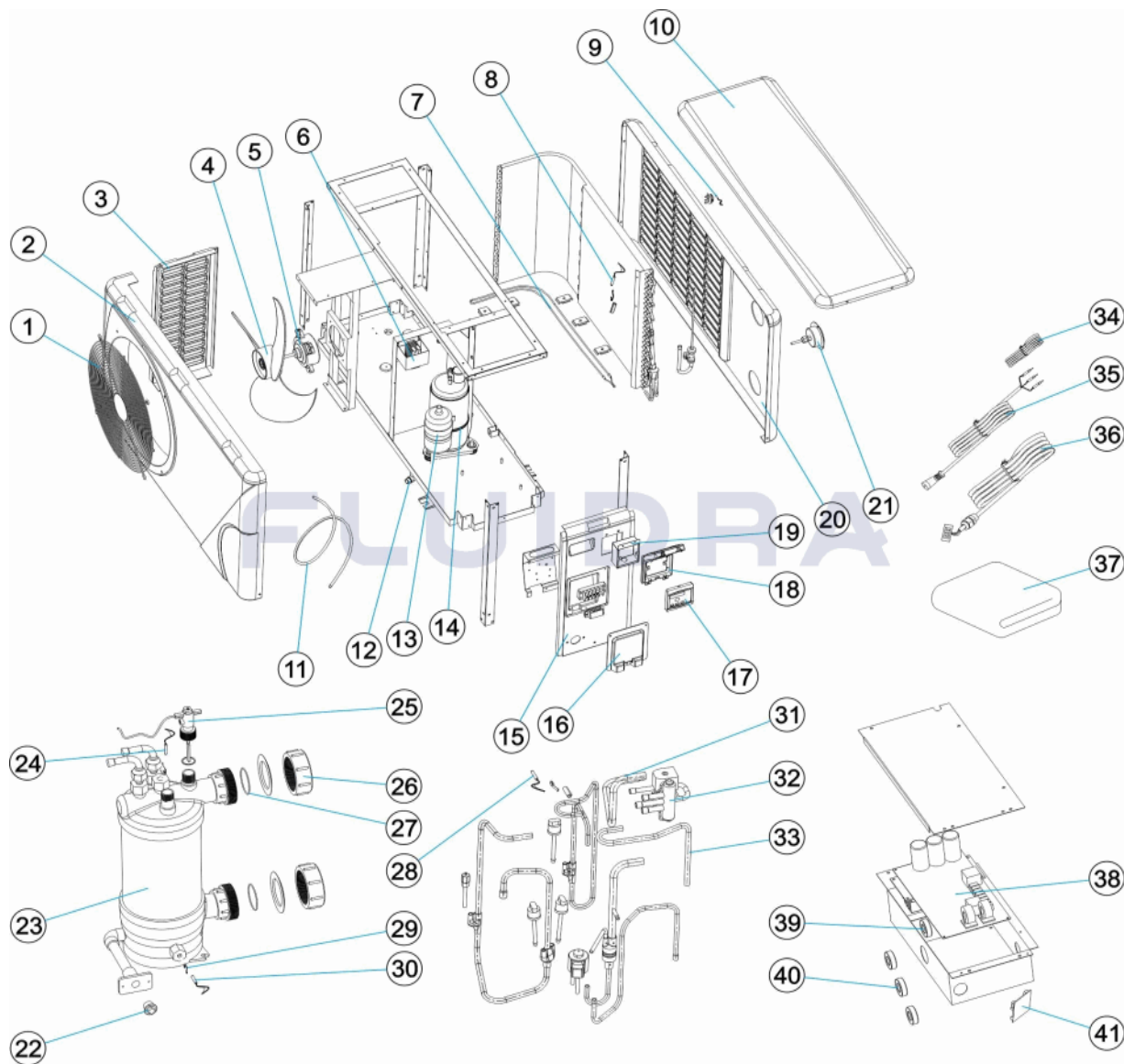
14	ZX142000072	ABRAZADERA TERMOSTATO COMPRESOF	29	ZX108010025	CLIP SUJECION
15	ZX1330500551	PANEL DERECHO	30	ZX117110012	SENSOR TEMPERATURA ENTRADA AGUA
31	ZX113030091	VALVULA DE 4 VIAS TUBO INTERCAMBIAD	36	ZX117040012	CABLE DE CONEXIÓN 10M
32	ZX121000001	VALVULA DE 4 VIAS	37	ZX113300199	CUBIERTA DE INVIERNO
33	ZX113060094	VALVULA DE 4 VIAS TUBO COLECTIVO	38	68760R0002	PLACA BASE PCB
34	ZX117040019	0,8M CABLE CONEXIÓN	39	68761R0004	ANILLO MAGNETICO
35	* ZX117040014	1M CABLE MODBUS	40	68762R0004	ANILLO MAGNETICO
35	* ZX117040015	10M CABLE MODBUS	41	ZX117010095	MÓDULO MODBUS

CODIGO **68815**DESCRIPCION: **PRO ELYO INVERBOOST NN****OBSERVACIONES**

POS	CODIGO	OBSERVACIONES
35	* ZX117040014	PARA: 1 METRO / 1 METER
35	* ZX117040015	PARA: 10 METROS / 10 METERS

CODE **68815**

DESCRIPTION: **PRO ELYO INVERBOOST NN**



**FRANCAIS**

POS	CODE	DESCRIPTION	QUANTITE	POS	CODE	DESCRIPTION	QUANTITE
1	ZX108140011	GRILLE FRONTALE		16	ZX1330500261	COUVERCLE TERMINAL	
2	ZX1330500081	PANNEAU AVANT		17	ZX117020150	CONTRÔLEUR	
3	ZX1330500571	PANNEAU GAUCHE		18	66108R0017	BOÎTIER CONTRÔLEUR ÉTANCHE	
4	ZX132000010	PALES VENTILATEUR		19	ZX108010018	BOÎTE DE CÂBLAGE	
5	ZX112000041	MOTEUR VENTILATEUR		20	ZX1330500561	PANNEAU ARRIÈRE	
6	68761R0006	RÉACTEUR		21	66108R0016	MANOMETRE	
7	ZX142000078	COLLIER CHAUFFANTS ÉVAPORATEUR		22	ZX150000110	BOUCHON PURGE	
8	ZX117110004	CAPTEUR TEMPÉRATURE TUYAU		23	ZX102040501	ÉCHANGEUR EN TITANE	
9	ZX117110020	CAPTEUR TEMPÉRATURE AMBIANT		24	ZX117110011	CAPTEUR TEMPÉRATURE EAU SORTIE	
10	ZX1330500221	COUVERCLE SUPÉRIEUR		25	ZX112100021-1	CONTROLEUR DE DEBIT	
11	ZX136010024	TUYAU DE DRAINAGE		26	66108R0018	ENSEMBLES CONNEXION D'EAU	
12	ZX136010023	BUSE D'EAU		27	ZX133020026	JOINT TORIQUE	
13	ZX101000142	COMPRESSEUR		28	ZX117110021	CAPTEUR TEMPÉRATURE EAU SORTIE	

CODE **68815**

DESCRIPTION: **PRO ELYO INVERBOOST NN**

14	ZX142000072	COLLIER CHAUFFANTS COMPRESSEUR	29	ZX108010025	CLIP FIXATION
15	ZX1330500551	PANNEAU DROIT	30	ZX117110012	CAPTEUR TEMPÉRATURE ARRIVÉE D'EAU
31	ZX113030091	VANNE 4 VOIES TUBE ÉCHANGEUR	36	ZX117040012	FIL DE CONNEXION 10M
32	ZX121000001	VANNE 4 VOIES	37	ZX113300199	COUVERTURE D"HIVERNAGE
33	ZX113060094	VANNE 4 VOIES TUBE COLLECTIF	38	68760R0002	PLAQUE BASE PCB
34	ZX117040019	0,8M CABLE BRANCHEMENT	39	68761R0004	BAGUE D'AIMANT
35	* ZX117040014	1M CABLE MODBUS	40	68762R0004	BAGUE D'AIMANT
35	* ZX117040015	10M CABLE MODBUS	41	ZX117010095	MODULE MODBUS

CODE **68815**

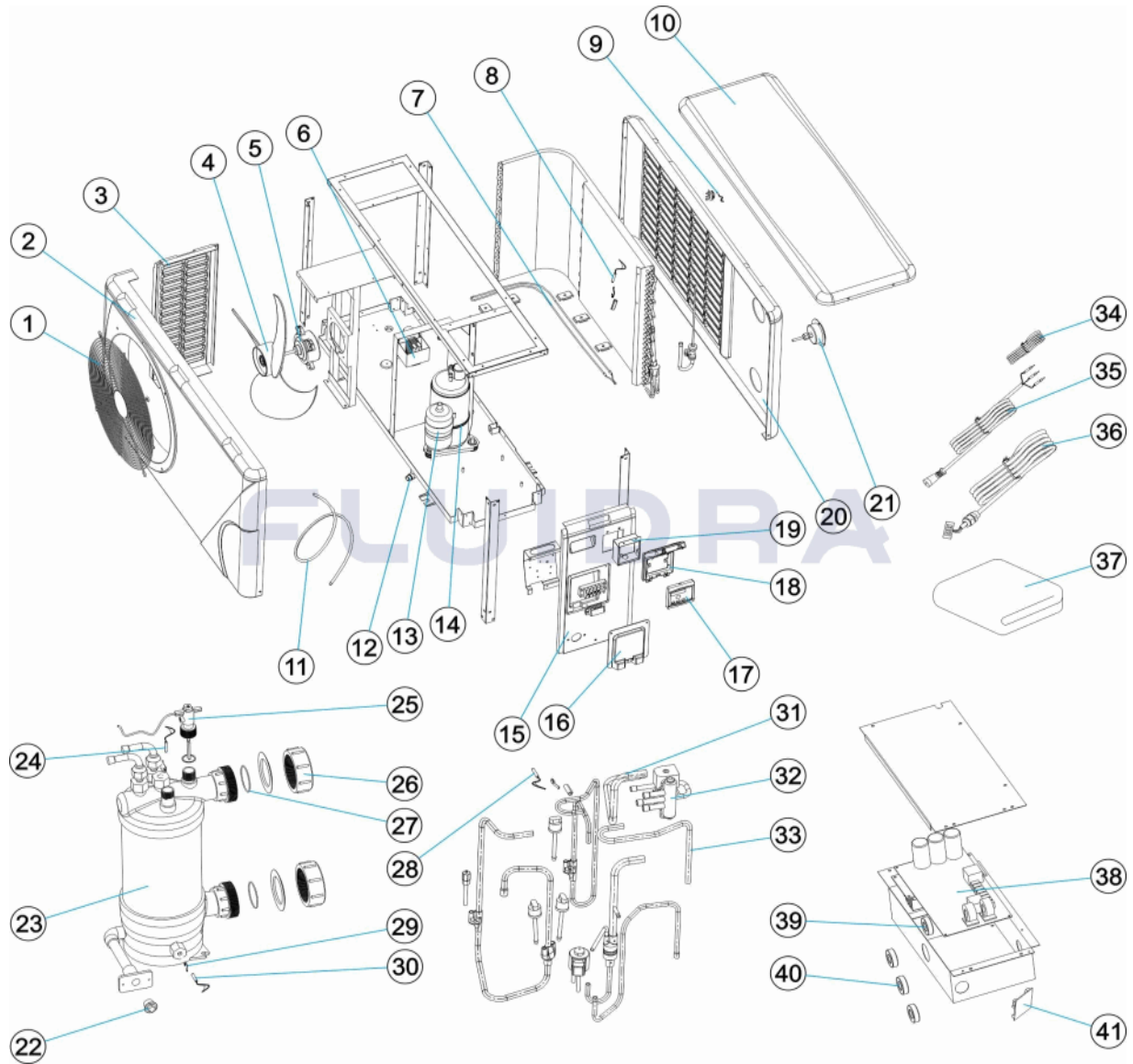
DESCRIPTION: **PRO ELYO INVERBOOST NN**

**OBSERVATIONS**

POS	CODE	OBSERVATIONS
35	* ZX117040014	POUR: 1 METRO / 1 METER
35	* ZX117040015	POUR: 10 METROS / 10 METERS

CODE **68815**

DESCRIPTION: **PRO ELYO INVERBOOST NN**



**ENGLISH**

POS	CODE	DESCRIPTION	QUANTITY	POS	CODE	DESCRIPTION	QUANTITY
1	ZX108140011	FRONT GRILL		16	ZX1330500261	TERMINAL BLOCKS PLASTIC COVER	
2	ZX1330500081	FRONT PANEL		17	ZX117020150	CONTROLLER	
3	ZX1330500571	LEFT SIDE PANEL		18	66108R0017	WATERPROOF CONTROLLER BOX	
4	ZX132000010	FAN BLADE		19	ZX108010018	WIRING BOX	
5	ZX112000041	FAN MOTOR		20	ZX1330500561	BACK PANEL	
6	68761R0006	REACTOR		21	66108R0016	PRESSURE GAUGE	
7	ZX142000078	EVAPORATOR HEATING BELT		22	ZX150000110	DRAIN PLUG	
8	ZX117110004	HEATING PIPE TEMPERATURE SENSOR		23	ZX102040501	TITANIUM HEAT EXCHANGER	
9	ZX117110020	AMBIENT TEMPERATURE SENSOR		24	ZX117110011	HEATING PIPE TEMPERATURE SENSOR	
10	ZX1330500221	TOP COVER		25	ZX112100021-1	WATER FLOW SWITCH	
11	ZX136010024	DRAIN HOSE		26	66108R0018	WATER CONNECTION SETS	
12	ZX136010023	WATER NOZZLE		27	ZX133020026	O' RING	
13	ZX101000142	COMPRESSOR		28	ZX117110021	EXHAUST TEMPERATURE SENSOR	

CODE                    **68815**

DESCRIPTION: **PRO ELYO INVERBOOST NN**

14	ZX142000072	COMPRESSOR HEATING BELT	29	ZX108010025	CLIP
15	ZX1330500551	RIGHT SIDE PANEL	30	ZX117110012	WATER INLET TEMPERATURE SENSOR
31	ZX113030091	4-WAY VALVE HEAT EXCHANGER TUBE	36	ZX117040012	10M CONNECTION WIRE BETWEEN THE
32	ZX121000001	4-WAY VALVE	37	ZX113300199	WINTER COVER
33	ZX113060094	4-WAY VALVE HEAT COLLECTIVE TUBE	38	68760R0002	PC BOARD
34	ZX117040019	0,8M CONNEXION CABLE	39	68761R0004	MAGNET RING
35	* ZX117040014	1M MODBUS CABLE	40	68762R0004	MAGNET RING
35	* ZX117040015	10M MODBUS CABLE	41	ZX117010095	MODBUS MODULE

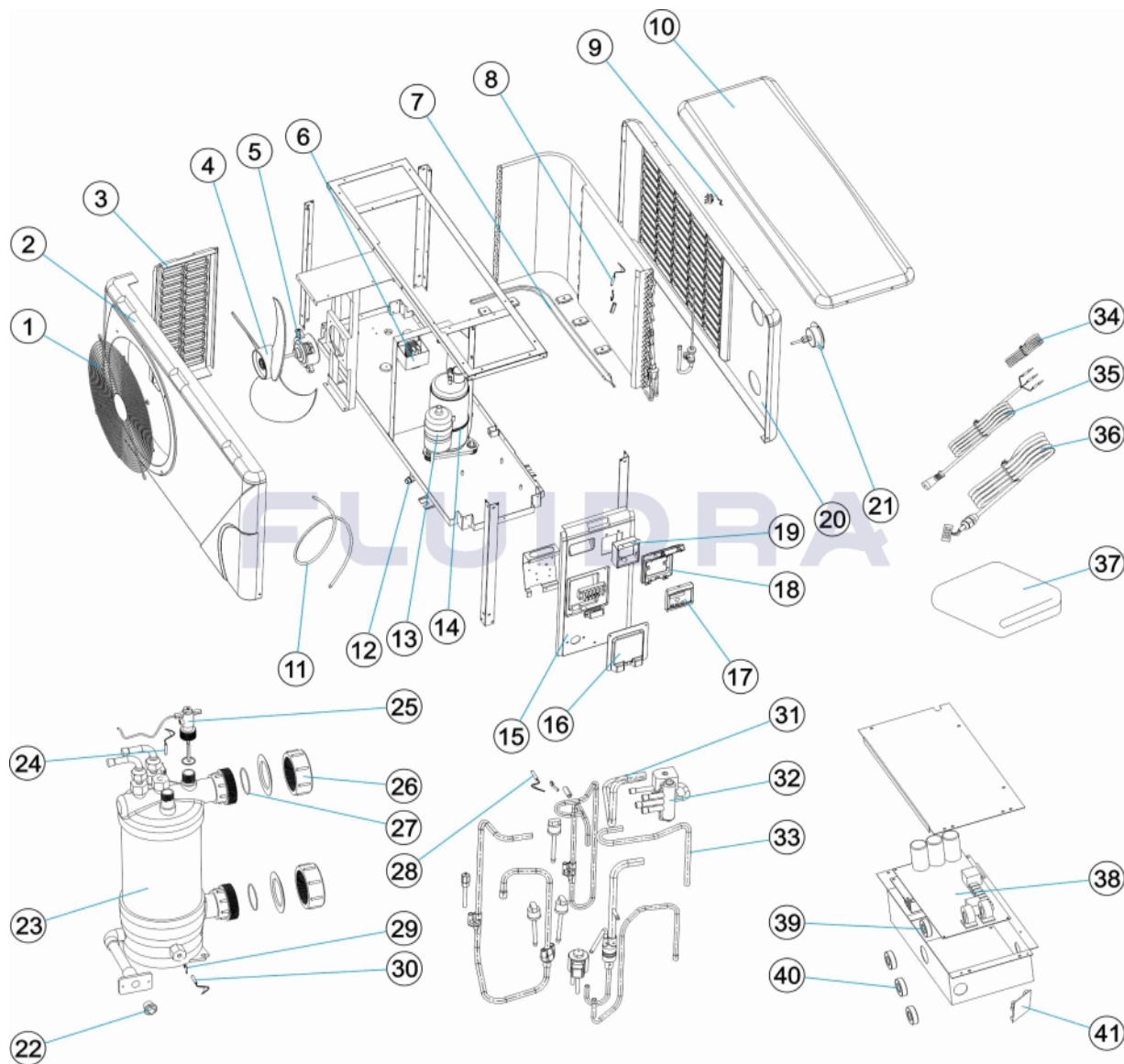


CODE **68815**DESCRIPTION: **PRO ELYO INVERBOOST NN****OBSERVATIONS**

POS	CODE	OBSERVATIONS
35	* ZX117040014	FOR: 1 METRO / 1 METER
35	* ZX117040015	FOR: 10 METROS / 10 METERS

CODICE **68815**

DESCRIZIONE: **PRO ELYO INVERBOOST NN**



**ITALIANO**

POS	CODICE	DESCRIZIONE	QUANTITA'	POS	CODICE	DESCRIZIONE	QUANTITA'
1	ZX108140011	GRIGLIA FRONTALE		16	ZX1330500261	COPERCHIO TERMINALE	
2	ZX1330500081	PANNELLO FRONTALE		17	ZX117020150	CONTROLLATORE	
3	ZX1330500571	PANNELLO SINISTRO		18	66108R0017	SCATOLA CONTROLLO IMPERMEABILE	
4	ZX132000010	PALE VENTILATORE		19	ZX108010018	SCATOLA DI CABLAGGIO	
5	ZX112000041	MOTORE VENTOLA		20	ZX1330500561	PANNELLO INDIETRO	
6	68761R0006	REATTORE		21	66108R0016	MANOMETRO	
7	ZX142000078	CINTURA DI RISCALDAMENTO EVAPORATI		22	ZX150000110	TAPPO SPURGO	
8	ZX117110004	SENSORE TEMPERATURA TUBO		23	ZX102040501	INTERCAMBIATORE IN TITANIO	
9	ZX117110020	SENSORE TEMPERATURA AMBIENTE		24	ZX117110011	SENSORE TEMPERATURA USCITA ACQUA	
10	ZX1330500221	COPERCHIO SUPERIORE		25	ZX112100021-1	FLUSSOSTATO	
11	ZX136010024	TUBO DI SCARICO		26	66108R0018	SET CONNESSIONE DELL'ACQUA	
12	ZX136010023	UGELLO DELL'ACQUA		27	ZX133020026	O-RING	
13	ZX101000142	COMPRESSORE		28	ZX117110021	SENSORE TEMPERATURA SCARICO	

CODICE **68815**

DESCRIZIONE: **PRO ELYO INVERBOOST NN**

14	ZX142000072	CINTURA DI RISCALDAMENTO COMPRESSE	29	ZX108010025	CLIP ATTACCO
15	ZX1330500551	PANNELLO DESTRO	30	ZX117110012	SENSORE TEMPERATURA INGRESSO ACQ
31	ZX113030091	VALVOLA A 4 VIE TUBO INTERCAMBIATORI	36	ZX117040012	FILO DI COLLEGAMENTO 10M
32	ZX121000001	VALVOLA A 4 VIE	37	ZX113300199	COPERTA DI INVERNO
33	ZX113060094	VALVOLA A 4 VIE TUBO COLLETTIVO	38	68760R0002	SCHEDA BASE PCB
34	ZX117040019	0,8M CAVO COLLEGAMENTO	39	68761R0004	ANELLO MAGNETICO
35	* ZX117040014	1M CAVO MODBUS	40	68762R0004	ANELLO MAGNETICO
35	* ZX117040015	10M CAVO MODBUS	41	ZX117010095	MODULO MODBUS

**CODICE 68815**

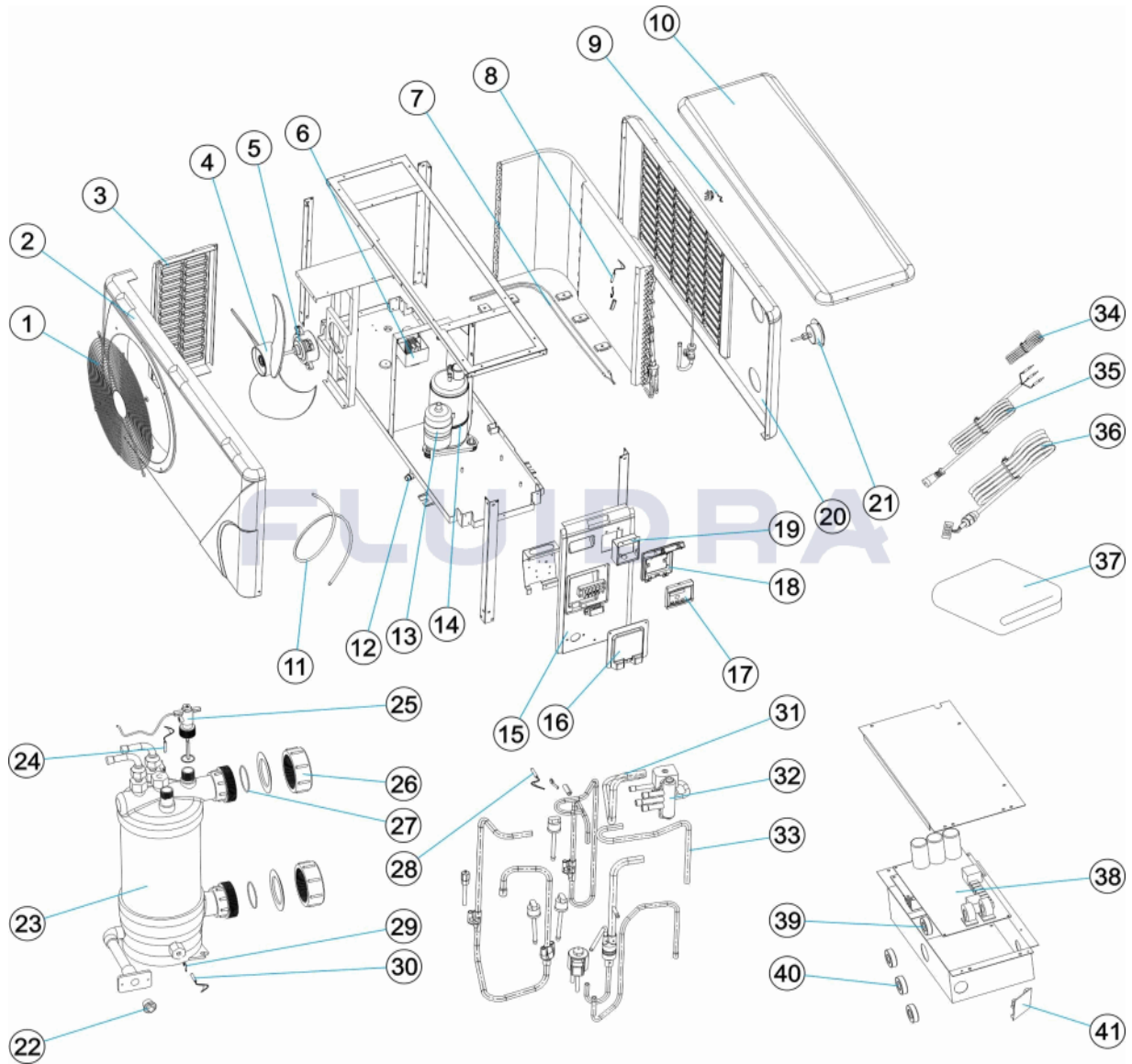
**DESCRIZIONE: PRO ELYO INVERBOOST NN**

**OSSERVAZIONI**

POS	CODICE	OSSERVAZIONI
35	* ZX117040014	PER: 1 METRO / 1 METER
35	* ZX117040015	PER: 10 METROS / 10 METERS

CODE **68815**

BESCHREIBUNG: **PRO ELYO INVERBOOST NN**



**DEUTSCH**

POS	CODE	BESCHREIBUNG	MENGE	POS	CODE	BESCHREIBUNG	MENGE
1	ZX108140011	FRONTGITTER		16	ZX1330500261	ANSCHLUSSABDECKUNG	
2	ZX1330500081	FRONTPLATTE		17	ZX117020150	STEUERUNG	
3	ZX1330500571	LINKENPLATTE		18	66108R0017	WASSERDICHTER STEUERUNGSBOX	
4	ZX132000010	ROTORBLÄTTER VENTILATOR		19	ZX108010018	WIRING BOX	
5	ZX112000041	LÜFTERMOTOR		20	ZX1330500561	FÜHRERHAUSRÜCKWAND	
6	68761R0006	REAKTOR		21	66108R0016	MANOMETER	
7	ZX142000078	EVAPORATOR HEIZBAND		22	ZX150000110	ABLASSSTOPFEN	
8	ZX117110004	ROHR TEMPERATURFÜHLER		23	ZX102040501	WÄRMEÜBERTRAGER TITANIUM	
9	ZX117110020	UMGEBUNGS TEMPERATURFÜHLER		24	ZX117110011	WASSERABFLUSS TEMPERATURFÜHLER	
10	ZX1330500221	ABDECKUNG OBEN		25	ZX112100021-1	DURCHFLUSSMESSER	
11	ZX136010024	ABFLUSSSCHLAUCH		26	66108R0018	WASSERANSCHLUSS SET	
12	ZX136010023	WASSERDÜSE		27	ZX133020026	O-RING	
13	ZX101000142	KOMPRESSOR		28	ZX117110021	AUSPUFF TEMPERATURFÜHLER	

\* SIEHE ANMERKUNGSBLATT

CODE                    **68815**

BESCHREIBUNG: **PRO ELYO INVERBOOST NN**

14	ZX142000072	KOMPRESSOR HEIZBAND	29	ZX108010025	HALTECLIP
15	ZX1330500551	RECHTENPLATTE	30	ZX117110012	WASSERZUFLUSS TEMPERATURFÜHLER
31	ZX113030091	4-WEGE-VENTIL WÄRMEÜBERTRAGE ROF	36	ZX117040012	10M VERBINDUNGSDRAHT
32	ZX121000001	4-WEGE-VENTIL	37	ZX113300199	WINTERDECKEL
33	ZX113060094	4-WEGE-VENTIL SAMMLUNG ROHR	38	68760R0002	BASISPLATTE PCB
34	ZX117040019	0,8M ANSCHLUSSKABEL	39	68761R0004	MAGNET-RING
35	* ZX117040014	1M MODBUS-KABEL	40	68762R0004	MAGNET-RING
35	* ZX117040015	10M MODBUS-KABEL	41	ZX117010095	MODBUS-MODUL

CODE **68815**

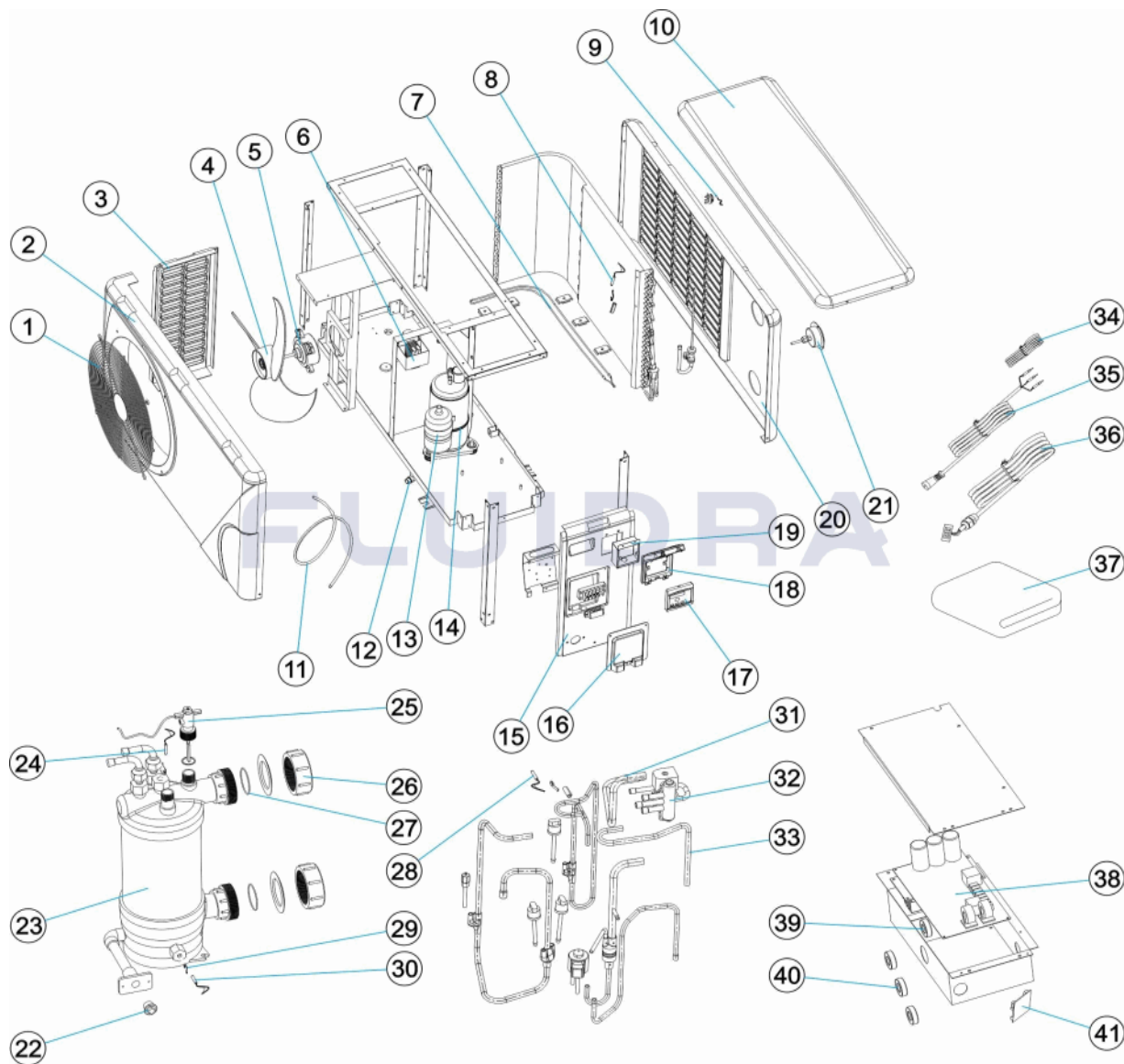
BESCHREIBUNG: **PRO ELYO INVERBOOST NN**

**HINWEISE**

POS	CODE	HINWEISE
35	* ZX117040014	FÜR: 1 METRO / 1 METER
35	* ZX117040015	FÜR: 10 METROS / 10 METERS

CODIGO **68815**

DESCRIÇÃO: **PRO ELYO INVERBOOST NN**



**PORTUGUES**

POS	CODIGO	DESCRIÇÃO	JANTIDADE	POS	CODIGO	DESCRIÇÃO	JANTIDADE
1	ZX108140011	GRELHA FRONTAL		16	ZX1330500261	COBERTURA TERMINAL	
2	ZX1330500081	PAINEL FRONTAL		17	ZX117020150	CONTROLADOR	
3	ZX1330500571	PAINEL ESQUERDO		18	66108R0017	CAIXA DE CONTROLE IMPERMEÁVEL	
4	ZX132000010	PÁS VENTILADOR		19	ZX108010018	CAIXA DE LIGAÇÕES	
5	ZX112000041	MOTOR VENTILADOR		20	ZX1330500561	PAINEL TRASEIRO	
6	68761R0006	REACTOR		21	66108R0016	MANOMETRO	
7	ZX142000078	CORREIA DE AQUECIMENTO EVAPORADO		22	ZX150000110	TAMPÃO PURGA	
8	ZX117110004	SENSOR TEMPERATURA TUBO		23	ZX102040501	PERMUTADOR DE TITÂNIO	
9	ZX117110020	SENSOR TEMPERATURA AMBIENTE		24	ZX117110011	SENSOR TEMPERATURA SAÍDA ÁGUA	
10	ZX1330500221	TAMPA SUPERIOR		25	ZX112100021-1	FLUXO-ESTATO	
11	ZX136010024	MANGUEIRA DE DRENAGEM		26	66108R0018	CONJECTIVOS CONEXÃO DE ÁGUA	
12	ZX136010023	BOCAL DE ÁGUA		27	ZX133020026	JUNTA TÓRICA	
13	ZX101000142	COMPRESSOR		28	ZX117110021	SENSOR TEMPERATURA ESCAPE	



CODIGO **68815**

DESCRIÇÃO: **PRO ELYO INVERBOOST NN**

14	ZX142000072	CORREIA DE AQUECIMENTO COMPRESSC	29	ZX108010025	CLIQUE FIXAÇÃO
15	ZX1330500551	PAINEL DIREITO	30	ZX117110012	SENSOR TEMPERATURA ENTRADA ÁGUA
31	ZX113030091	VÁLVULA DE 4 VIAS TUBO PERMUTADOR	36	ZX117040012	FIO DE CONEXÃO 10M
32	ZX121000001	VÁLVULA DE 4 VIAS	37	ZX113300199	COBERTURA DE INVERNO
33	ZX113060094	VÁLVULA DE 4 VIAS TUBO COLETIVO	38	68760R0002	PLACA BASE PCB
34	ZX117040019	0,8M CABO LIGAÇÃO	39	68761R0004	ANEL DE ÍNDIA
35	* ZX117040014	1M CABO MODBUS	40	68762R0004	ANEL DE ÍNDIA
35	* ZX117040015	10M CABO MODBUS	41	ZX117010095	MÓDULO MODBUS

**CODIGO 68815**

**DESCRIÇÃO: PRO ELYO INVERBOOST NN**

**OBSERVACÕES**

POS	CODIGO	OBSERVACÕES
35	* ZX117040014	PARA: 1 METRO / 1 METER
35	* ZX117040015	PARA: 10 METROS / 10 METERS