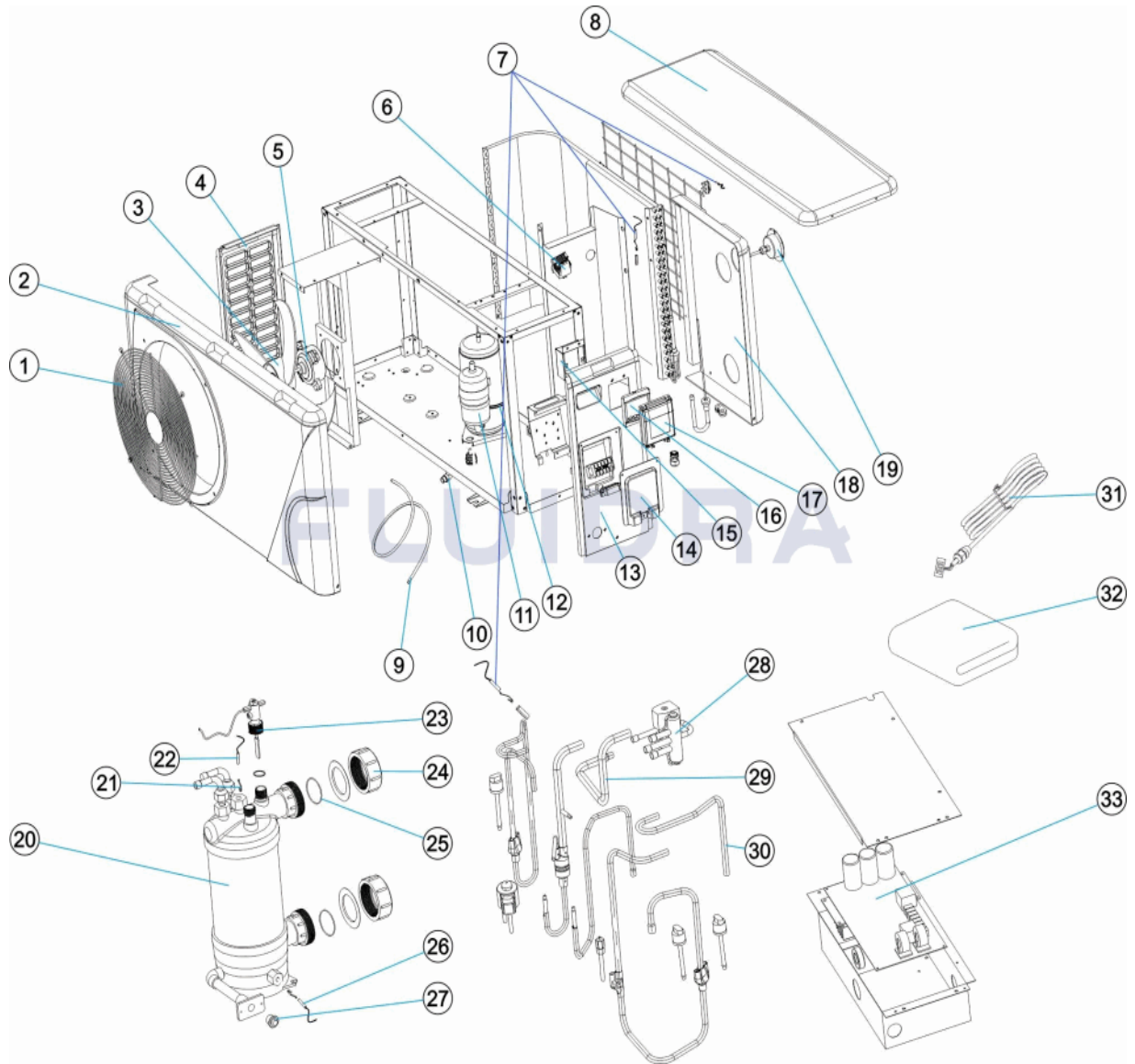


CODIGO **68760**

DESCRIPCION: **PRO ELYO INVERBOOST**



**ESPAÑOL**

POS	CODIGO	DESCRIPCION	CANTIDAD	POS	CODIGO	DESCRIPCION	CANTIDAD
1	ZX108140011	REJILLA FRONTAL		16	* 68761R0001	CONTROLADOR	
2	ZX1330500081	PANEL FRONTAL		16	ZX117020125	CONTROLADOR	
3	ZX132000010	ASPAS VENTILADOR		17	66108R0017	CAJA CONTROLADOR IMPERMEABLE	
4	ZX1330500571	PANEL IZQUIERDO		18	ZX1330500561	PANEL TRASERO	
5	ZX112000041	MOTOR VENTILADOR		19	66108R0016	MANOMETRO	
6	68761R0006	REACTOR		20	ZX102040501	INTERCAMBIADOR DE TITANIO	
7	ZX117110066	SENSOR TEMPERATURA AMBIENTE		21	ZX108010025	CLIP SUJECION	
8	ZX1330500221	TAPA SUPERIOR		22	ZX117110065	SENSOR TEMPERATURA SALIDA AGUA	
9	ZX136010024	MANGUERA DE DRENAJE		23	ZX112100021-2	FLUJOSTATO	
10	ZX136010023	BOQUILLA DE AGUA		24	66108R0018	KIT DE CONEXIÓN AGUA	
11	ZX101000142	COMPRESOR		25	ZX133020026	JUNTA TORICA	
12	ZX142000072	ABRAZADERA TERMOSTATO COMPRESOF		26	ZX117110064	SENSOR TEMPERATURA ENTRADA AGUA	
13	ZX1330500551	PANEL DERECHO		27	ZX150000110	TAPON PURGA	

**CODIGO 68760**

**DESCRIPCION: PRO ELYO INVERBOOST**

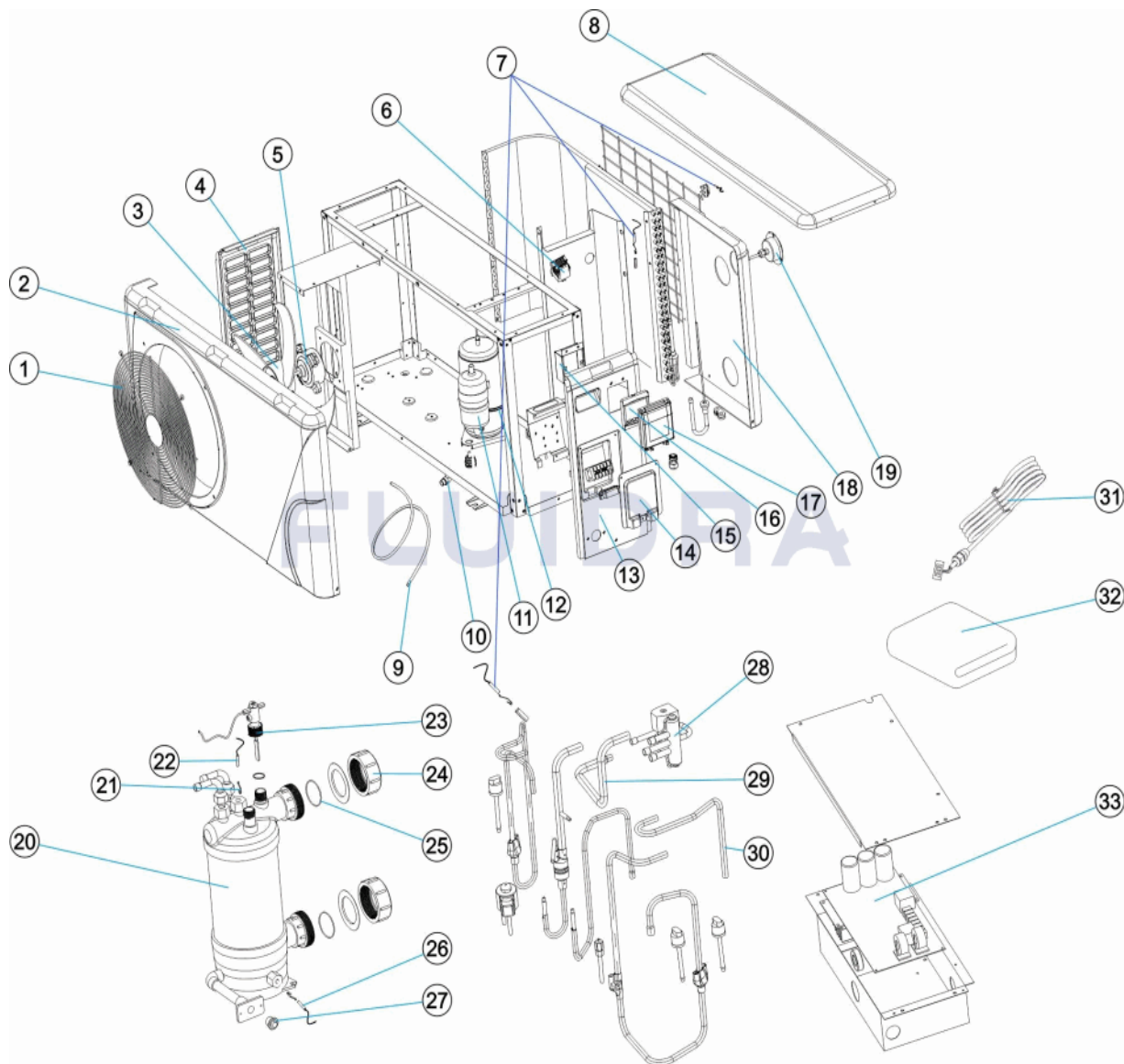
14	ZX1330500261	CUBIERTA TERMINALES	28	ZX121000001	VALVULA DE 4 VIAS
15	ZX108010018	CAJA DE CABLEADO	29	ZX113030091	VALVULA DE 4 VIAS TUBO INTERCAMBIAD
30	ZX113060094	VALVULA DE 4 VIAS TUBO COLECTIVO	32	ZX113300199	CUBIERTA DE INVIERNO
31	ZX117040012	CABLE DE CONEXIÓN 10M	33	68760R0002	PLACA BASE PCB

CODIGO **68760**DESCRIPCION: **PRO ELYO INVERBOOST****OBSERVACIONES**

POS	CODIGO	OBSERVACIONES
16	* 68761R0001	PARA: N° SERIE 0700ID42H317071001 HASTA 0700ID42H317071018 / SERIAL N° 0700ID42H317071001 UNTIL 0700ID42H317071018

CODE **68760**

DESCRIPTION: **PRO ELYO INVERBOOST**



**FRANCAIS**

POS	CODE	DESCRIPTION	QUANTITE	POS	CODE	DESCRIPTION	QUANTITE
1	ZX108140011	GRILLE FRONTALE		16	* 68761R0001	CONTRÔLEUR	
2	ZX1330500081	PANNEAU AVANT		16	ZX117020125	CONTRÔLEUR	
3	ZX132000010	PALES VENTILATEUR		17	66108R0017	BOÎTIER CONTRÔLEUR ÉTANCHE	
4	ZX1330500571	PANNEAU GAUCHE		18	ZX1330500561	PANNEAU ARRIÈRE	
5	ZX112000041	MOTEUR VENTILATEUR		19	66108R0016	MANOMETRE	
6	68761R0006	RÉACTEUR		20	ZX102040501	ÉCHANGEUR EN TITANE	
7	ZX117110066	CAPTEUR TEMPÉRATURE AMBIANT		21	ZX108010025	CLIP FIXATION	
8	ZX1330500221	COUVERCLE SUPÉRIEUR		22	ZX117110065	CAPTEUR TEMPÉRATURE EAU SORTIE	
9	ZX136010024	TUYAU DE DRAINAGE		23	ZX112100021-2	CONTROLEUR DE DEBIT	
10	ZX136010023	BUSE D'EAU		24	66108R0018	ENSEMBLES CONNEXION D'EAU	
11	ZX101000142	COMPRESSEUR		25	ZX133020026	JOINT TORIQUE	
12	ZX142000072	COLLIER CHAUFFANTS COMPRESSEUR		26	ZX117110064	CAPTEUR TEMPÉRATURE ARRIVÉE D'EAU	
13	ZX1330500551	PANNEAU DROIT		27	ZX150000110	BOUCHON PURGE	

**\* VOIR FICHE D'OBSERVATIONS**

CODE **68760**

DESCRIPTION: **PRO ELYO INVERBOOST**

14	ZX1330500261	COUVERCLE TERMINAL	28	ZX121000001	VANNE 4 VOIES
15	ZX108010018	BOÎTE DE CÂBLAGE	29	ZX113030091	VANNE 4 VOIES TUBE ÉCHANGEUR
30	ZX113060094	VANNE 4 VOIES TUBE COLLECTIF	32	ZX113300199	COUVERTURE D"HIVERNAGE
31	ZX117040012	FIL DE CONNEXION 10M	33	68760R0002	PLAQUE BASE PCB

CODE **68760**

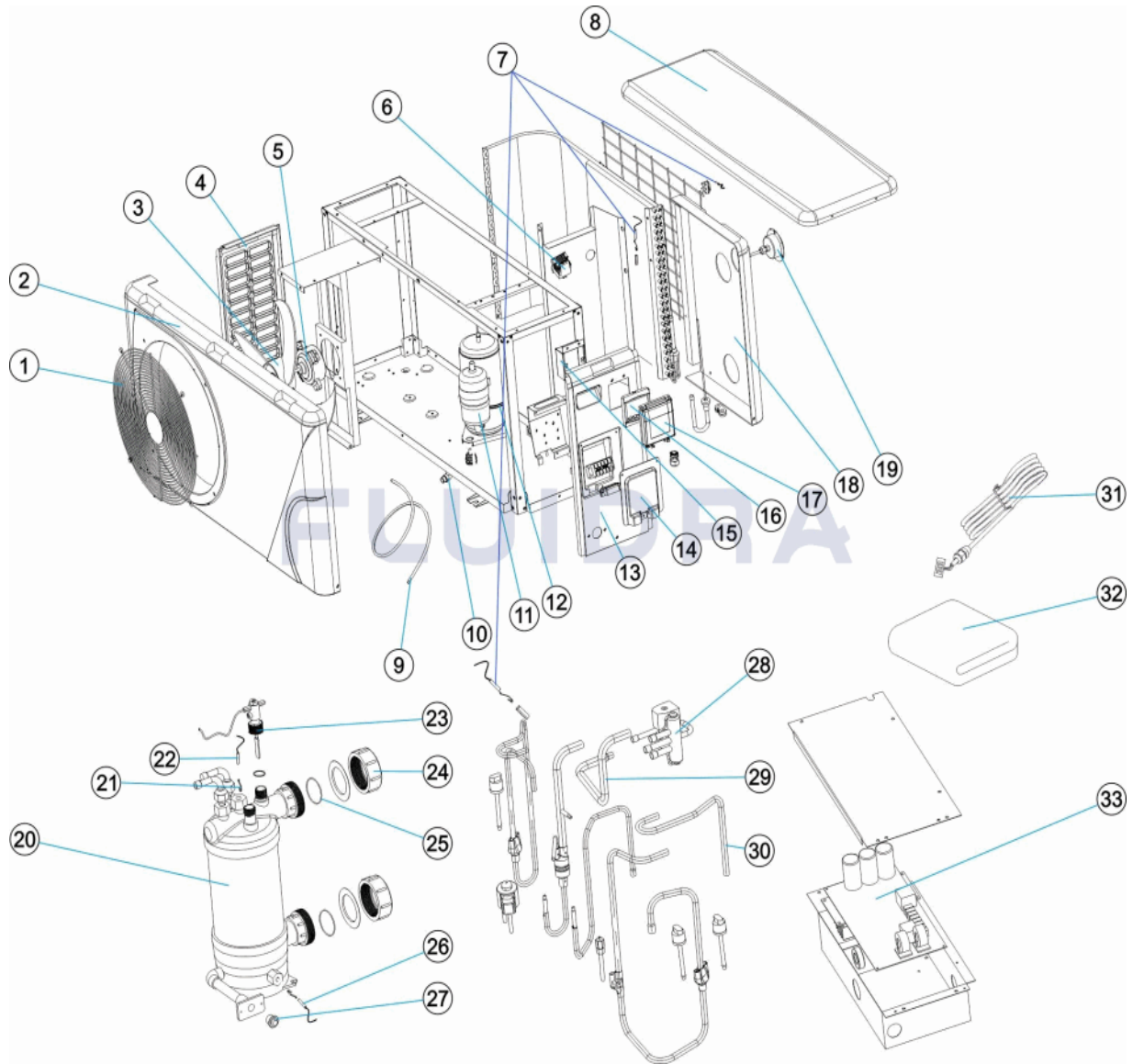
DESCRIPTION: **PRO ELYO INVERBOOST**

**OBSERVATIONS**

POS	CODE	OBSERVATIONS
16	* 68761R0001	POUR: N° SERIE 0700ID42H317071001 HASTA 0700ID42H317071018 / SERIAL N° 0700ID42H317071001 UNTIL 0700ID42H317071018

CODE **68760**

DESCRIPTION: **PRO ELYO INVERBOOST**



**ENGLISH**

POS	CODE	DESCRIPTION	QUANTITY	POS	CODE	DESCRIPTION	QUANTITY
1	ZX108140011	FRONT GRILL		16	* 68761R0001	CONTROLLER	
2	ZX1330500081	FRONT PANEL		16	ZX117020125	CONTROLLER	
3	ZX132000010	FAN BLADE		17	66108R0017	WATERPROOF CONTROLLER BOX	
4	ZX1330500571	LEFT SIDE PANEL		18	ZX1330500561	BACK PANEL	
5	ZX112000041	FAN MOTOR		19	66108R0016	PRESSURE GAUGE	
6	68761R0006	REACTOR		20	ZX102040501	TITANIUM HEAT EXCHANGER	
7	ZX117110066	AMBIENT TEMPERATURE SENSOR		21	ZX108010025	CLIP	
8	ZX1330500221	TOP COVER		22	ZX117110065	HEATING PIPE TEMPERATURE SENSOR	
9	ZX136010024	DRAIN HOSE		23	ZX112100021-2	WATER FLOW SWITCH	
10	ZX136010023	WATER NOZZLE		24	66108R0018	WATER CONNECTION SETS	
11	ZX101000142	COMPRESSOR		25	ZX133020026	O' RING	
12	ZX142000072	COMPRESSOR HEATING BELT		26	ZX117110064	WATER INLET TEMPERATURE SENSOR	
13	ZX1330500551	RIGHT SIDE PANEL		27	ZX150000110	DRAIN PLUG	

**\* SEE OBSERVATIONS SHEET**

CODE                    **68760**

DESCRIPTION: **PRO ELYO INVERBOOST**

14	ZX1330500261	TERMINAL BLOCKS PLASTIC COVER	28	ZX121000001	4-WAY VALVE
15	ZX108010018	WIRING BOX	29	ZX113030091	4-WAY VALVE HEAT EXCHANGER TUBE
30	ZX113060094	4-WAY VALVE HEAT COLLECTIVE TUBE	32	ZX113300199	WINTER COVER
31	ZX117040012	10M CONNECTION WIRE BETWEEN THE	33	68760R0002	PC BOARD

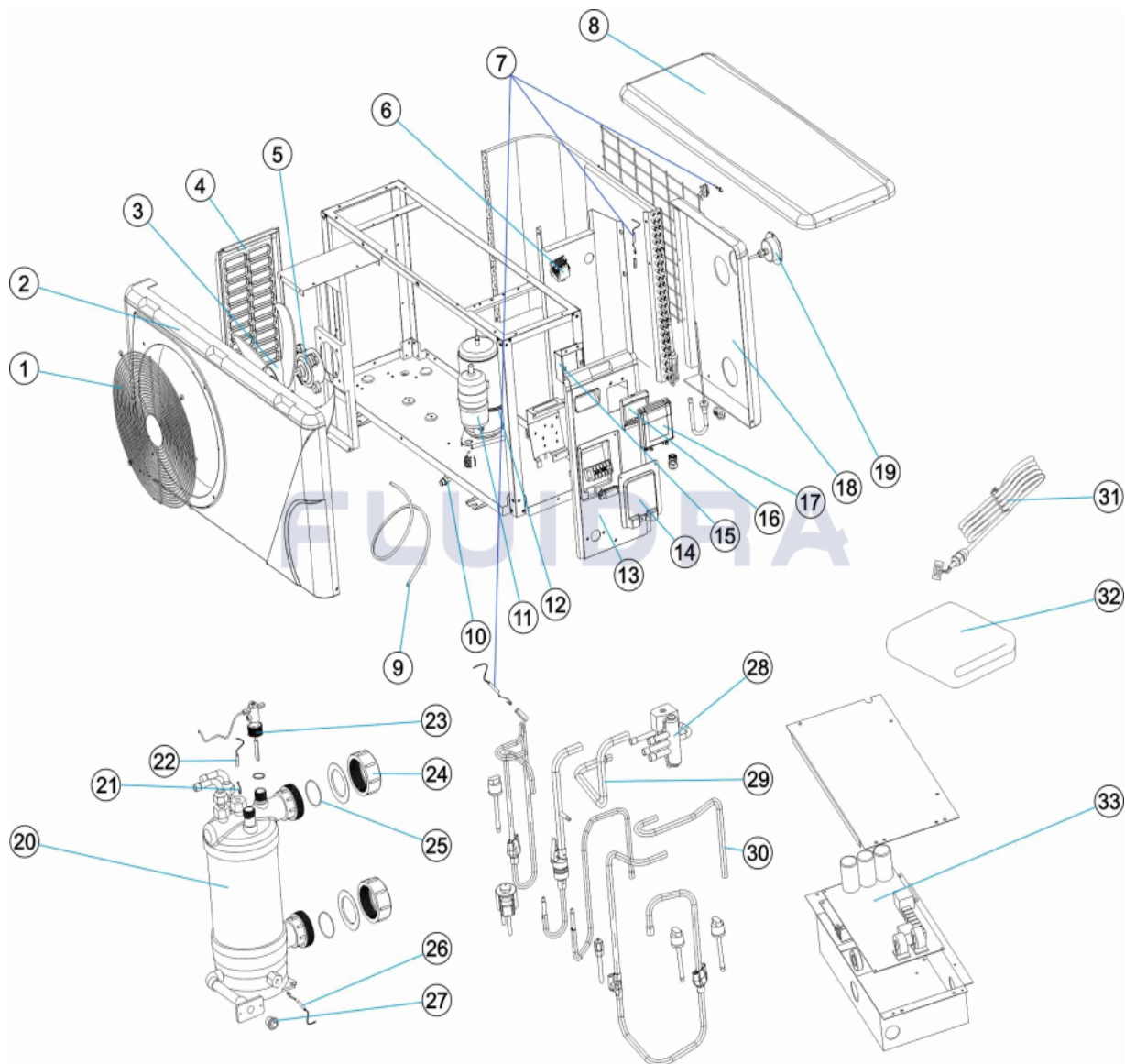


CODE **68760**DESCRIPTION: **PRO ELYO INVERBOOST****OBSERVATIONS**

POS	CODE	OBSERVATIONS
16	* 68761R0001	FOR: N° SERIE 0700ID42H317071001 HASTA 0700ID42H317071018 / SERIAL N° 0700ID42H317071001 UNTIL 0700ID42H317071018

CODICE **68760**

DESCRIZIONE: **PRO ELYO INVERBOOST**



**ITALIANO**

POS	CODICE	DESCRIZIONE	QUANTITA'	POS	CODICE	DESCRIZIONE	QUANTITA'
1	ZX108140011	GRIGLIA FRONTALE		16	* 68761R0001	CONTROLLATORE	
2	ZX1330500081	PANNELLO FRONTALE		16	ZX117020125	CONTROLLATORE	
3	ZX132000010	PALE VENTILATORE		17	66108R0017	SCATOLA CONTROLLO IMPERMEABILE	
4	ZX1330500571	PANNELLO SINISTRO		18	ZX1330500561	PANNELLO INDIETRO	
5	ZX112000041	MOTORE VENTOLA		19	66108R0016	MANOMETRO	
6	68761R0006	REATTORE		20	ZX102040501	INTERCAMBIATORE IN TITANIO	
7	ZX117110066	SENSORE TEMPERATURA AMBIENTE		21	ZX108010025	CLIP ATTACCO	
8	ZX1330500221	COPERCHIO SUPERIORE		22	ZX117110065	SENSORE TEMPERATURA USCITA ACQUA	
9	ZX136010024	TUBO DI SCARICO		23	ZX112100021-2	FLUSSOSTATO	
10	ZX136010023	UGELLO DELL'ACQUA		24	66108R0018	SET CONNESSIONE DELL'ACQUA	
11	ZX101000142	COMPRESSORE		25	ZX133020026	O-RING	
12	ZX142000072	CINTURA DI RISCALDAMENTO COMPRESSE		26	ZX117110064	SENSORE TEMPERATURA INGRESSO ACQ	
13	ZX1330500551	PANNELLO DESTRO		27	ZX150000110	TAPPO SPURGO	

**\* SI FACCIA RIFERIMENTO AL FOGLIO DELLE OSSERVAZIONI**

CODICE            **68760**

DESCRIZIONE: **PRO ELYO INVERBOOST**

14	ZX1330500261	COPERCHIO TERMINALE	28	ZX121000001	VALVOLA A 4 VIE
15	ZX108010018	SCATOLA DI CABLAGGIO	29	ZX113030091	VALVOLA A 4 VIE TUBO INTERCAMBIATORE
30	ZX113060094	VALVOLA A 4 VIE TUBO COLLETTIVO	32	ZX113300199	COPERTA DI INVERNO
31	ZX117040012	FILO DI COLLEGAMENTO 10M	33	68760R0002	SCHEDA BASE PCB

**CODICE 68760**

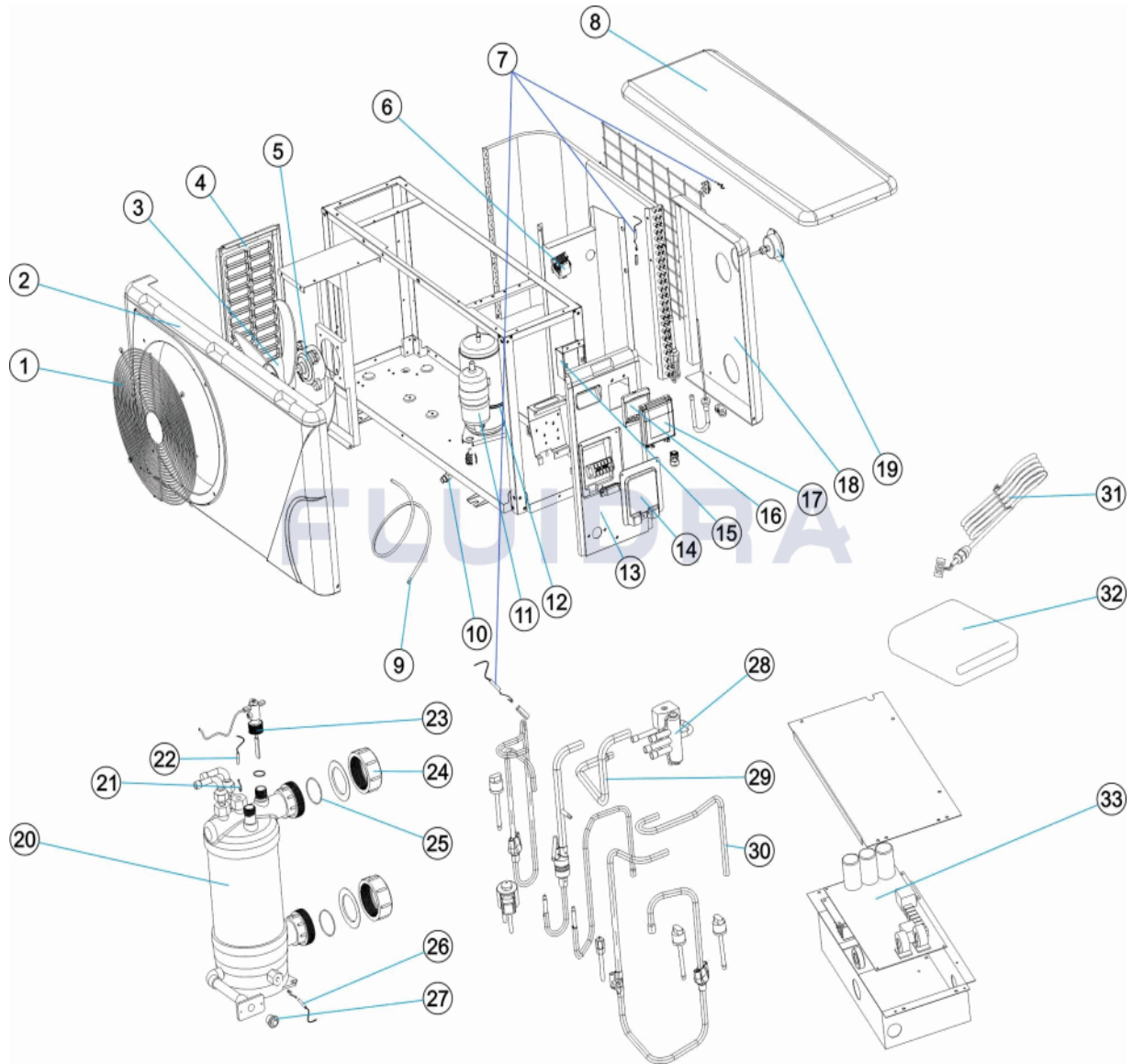
**DESCRIZIONE: PRO ELYO INVERBOOST**

**OSSERVAZIONI**

POS	CODICE	OSSERVAZIONI
16	* 68761R0001	PER: N° SERIE 0700ID42H317071001 HASTA 0700ID42H317071018 / SERIAL N° 0700ID42H317071001 UNTIL 0700ID42H317071018

CODE **68760**

BESCHREIBUNG: **PRO ELYO INVERBOOST**



**DEUTSCH**

POS	CODE	BESCHREIBUNG	MENGE	POS	CODE	BESCHREIBUNG	MENGE
1	ZX108140011	FRONTGITTER		16	* 68761R0001	STEUERUNG	
2	ZX1330500081	FRONTPLATTE		16	ZX117020125	STEUERUNG	
3	ZX132000010	ROTORBLÄTTER VENTILATOR		17	66108R0017	WASSERDICHTER STEUERUNGSBOX	
4	ZX1330500571	LINKENPLATTE		18	ZX1330500561	FÜHRERHAUSRÜCKWAND	
5	ZX112000041	LÜFTERMOTOR		19	66108R0016	MANOMETER	
6	68761R0006	REAKTOR		20	ZX102040501	WÄRMEÜBERTRAGER TITANIUM	
7	ZX117110066	UMGEBUNGS TEMPERATURFÜHLER		21	ZX108010025	HALTECLIP	
8	ZX1330500221	ABDECKUNG OBEN		22	ZX117110065	WASSERABFLUSS TEMPERATURFÜHLER	
9	ZX136010024	ABFLUSSSCHLAUCH		23	ZX112100021-2	DURCHFLUSSMESSER	
10	ZX136010023	WASSERDÜSE		24	66108R0018	WASSERANSCHLUSS SET	
11	ZX101000142	KOMPRESSOR		25	ZX133020026	O-RING	
12	ZX142000072	KOMPRESSOR HEIZBAND		26	ZX117110064	WASSERZUFUSS TEMPERATURFÜHLER	
13	ZX1330500551	RECHTENPLATTE		27	ZX150000110	ABLASSSTOPFEN	

\* SIEHE ANMERKUNGSBLATT

CODE                    **68760**

BESCHREIBUNG: **PRO ELYO INVERBOOST**

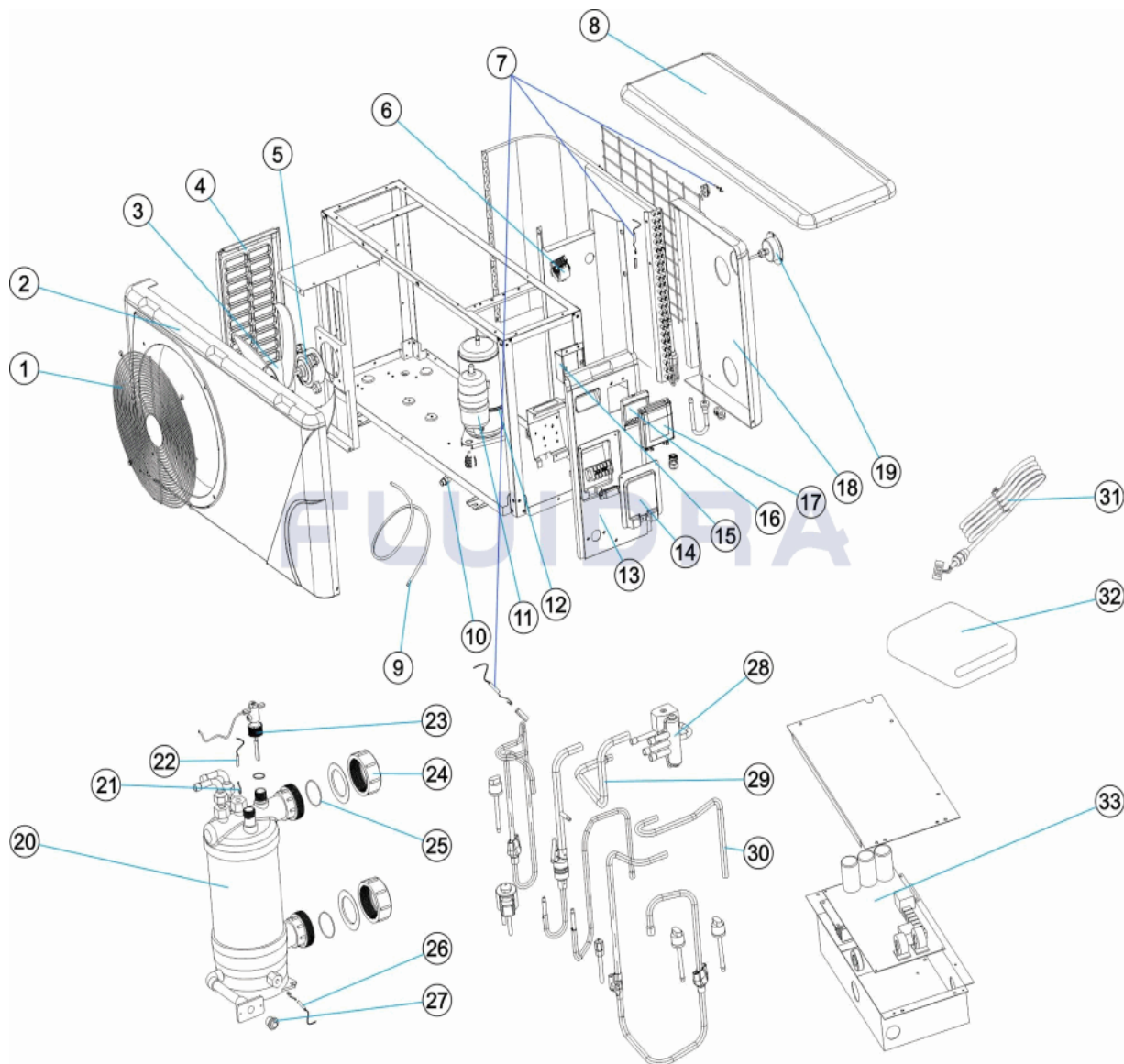
14	ZX1330500261	ANSCHLUSSABDECKUNG	28	ZX121000001	4-WEGE-VENTIL
15	ZX108010018	WIRING BOX	29	ZX113030091	4-WEGE-VENTIL WÄRMEÜBERTRAGE ROH
30	ZX113060094	4-WEGE-VENTIL SAMMLUNG ROHR	32	ZX113300199	WINTERDECKEL
31	ZX117040012	10M VERBINDUNGSDRAHT	33	68760R0002	BASISPLATTE PCB

CODE **68760**BESCHREIBUNG: **PRO ELYO INVERBOOST****HINWEISE**

POS	CODE	HINWEISE
16	* 68761R0001	FÜR: N° SERIE 0700ID42H317071001 HASTA 0700ID42H317071018 / SERIAL N° 0700ID42H317071001 UNTIL 0700ID42H317071018

CODIGO **68760**

DESCRIÇÃO: **PRO ELYO INVERBOOST**



**PORTUGUES**

POS	CODIGO	DESCRIÇÃO	JANTIDADE	POS	CODIGO	DESCRIÇÃO	JANTIDADE
1	ZX108140011	GRELHA FRONTAL		16	* 68761R0001	CONTROLADOR	
2	ZX1330500081	PAINEL FRONTAL		16	ZX117020125	CONTROLADOR	
3	ZX132000010	PÁS VENTILADOR		17	66108R0017	CAIXA DE CONTROLE IMPERMEÁVEL	
4	ZX1330500571	PAINEL ESQUERDO		18	ZX1330500561	PAINEL TRASEIRO	
5	ZX112000041	MOTOR VENTILADOR		19	66108R0016	MANOMETRO	
6	68761R0006	REACTOR		20	ZX102040501	PERMUTADOR DE TITÂNIO	
7	ZX117110066	SENSOR TEMPERATURA AMBIENTE		21	ZX108010025	CLIQUE FIXAÇÃO	
8	ZX1330500221	TAMPA SUPERIOR		22	ZX117110065	SENSOR TEMPERATURA SAÍDA ÁGUA	
9	ZX136010024	MANGUEIRA DE DRENAGEM		23	ZX112100021-2	FLUXO-ESTATO	
10	ZX136010023	BOCAL DE ÁGUA		24	66108R0018	CONJECTIVOS CONEXÃO DE ÁGUA	
11	ZX101000142	COMPRESSOR		25	ZX133020026	JUNTA TÓRICA	
12	ZX142000072	CORREIA DE AQUECIMENTO COMPRESSC		26	ZX117110064	SENSOR TEMPERATURA ENTRADA ÁGUA	
13	ZX1330500551	PAINEL DIREITO		27	ZX150000110	TAMPÃO PURGA	

**\* VEJA A FICHA DE OBSERVAÇÕES**



CODIGO **68760**

DESCRIÇÃO: **PRO ELYO INVERBOOST**

14	ZX1330500261	COBERTURA TERMINAL	28	ZX121000001	VÁLVULA DE 4 VIAS
15	ZX108010018	CAIXA DE LIGAÇÕES	29	ZX113030091	VÁLVULA DE 4 VIAS TUBO PERMUTADOR
30	ZX113060094	VÁLVULA DE 4 VIAS TUBO COLETIVO	32	ZX113300199	COBERTURA DE INVERNO
31	ZX117040012	FIO DE CONEXÃO 10M	33	68760R0002	PLACA BASE PCB

**CODIGO 68760**

**DESCRIÇÃO: PRO ELYO INVERBOOST**

**OBSERVACÕES**

POS	CODIGO	OBSERVACÕES
16	* 68761R0001	PARA: N° SERIE 0700ID42H317071001 HASTA 0700ID42H317071018 / SERIAL N° 0700ID42H317071001 UNTIL 0700ID42H317071018