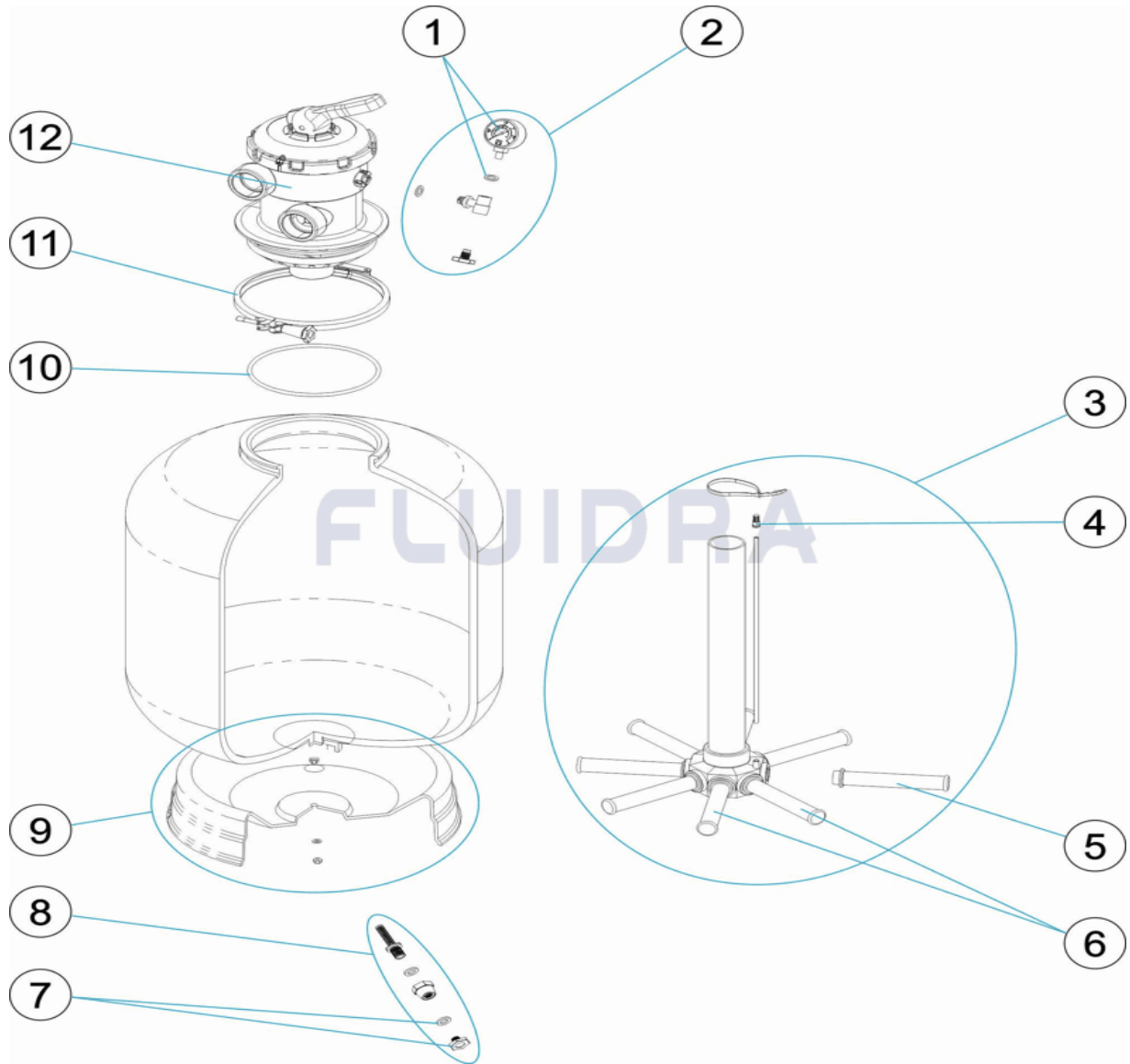


CODIGO 66243CL96, 66244CL96, 66245CL96, 66246CL96, 66247CL96, 71274

DESCRIPCION: FILTRO BWT2 400-900



ESPAÑOL

POS	CODIGO	DESCRIPCION	CANTIDAD	POS	CODIGO	DESCRIPCION	CANTIDAD
1	4404220102	MANOMETRO 1/8" 3 KG/C "		7	* 4404250010	CJTO. PURGA FILTRO	
2	4404220101	MANOMETRO COMPLETO		7	* 4404040113	TAPON PURGA Y JUNTA	
3	* 4404010080	CJTO. COLECTOR D. 400 TOP		8	* 4404070105	CREPINA PURGA 3/8'	
3	* 4404010081	CJTO. COLECTOR D. 500 TOP		8	* 4404010108	PURGA AGUA 3/8"	
3	* 4404010082	CJTO. COLECTOR D. 600 TOP		9	* 4404010353	PIE FILTRO D. 400	
3	* 4404010352	CJTO. COLECTOR D. 750 TOP		9	* 4404010354	PIE FILTRO D. 500	
3	* 4404010337	CJTO. COLECTOR D. 900 TOP		9	* 4404010051	PIE FILTRO D. 600	
4	4404040108	PURGA AIRE		9	* 4404300924	PIE FILTRO D. 750	
5	* 4404300917	BRAZO COLECTOR 1" 110 M "		9	* 4404010240	PIE FILTRO D. 900	
5	* 4404300915	BRAZO COLECTOR 1" 175 M "		10	4404080101	JUNTA TORICA TAPA	
5	* 4404300916	BRAZO COLECTOR 1" 225 M "		11	* 4404080103	ANILLO CIERRE 203 NEGRO	
6	* 4404010025	CJTO. BRAZOS COLECTOR D. 400		11	* 4404040000	CJTO. ZUNCHO	
6	* 4404010026	CJTO. BRAZOS COLECTOR		12	* 20565	VALVULA SELECTORA 1 1/2" TO "	

CODIGO **66243CL96, 66244CL96, 66245CL96, 66246CL96, 66247CL96, 71274**DESCRIPCION: **FILTRO BWT2 400-900**

6	* 4404010027	CJTO. BRAZOS COLECTOR D. 650	12	* 33968	VALVULA SELECTORA TOP 2" BAYONET "
---	--------------	------------------------------	----	---------	------------------------------------

CODIGO 66243CL96, 66244CL96, 66245CL96, 66246CL96, 66247CL96, 71274

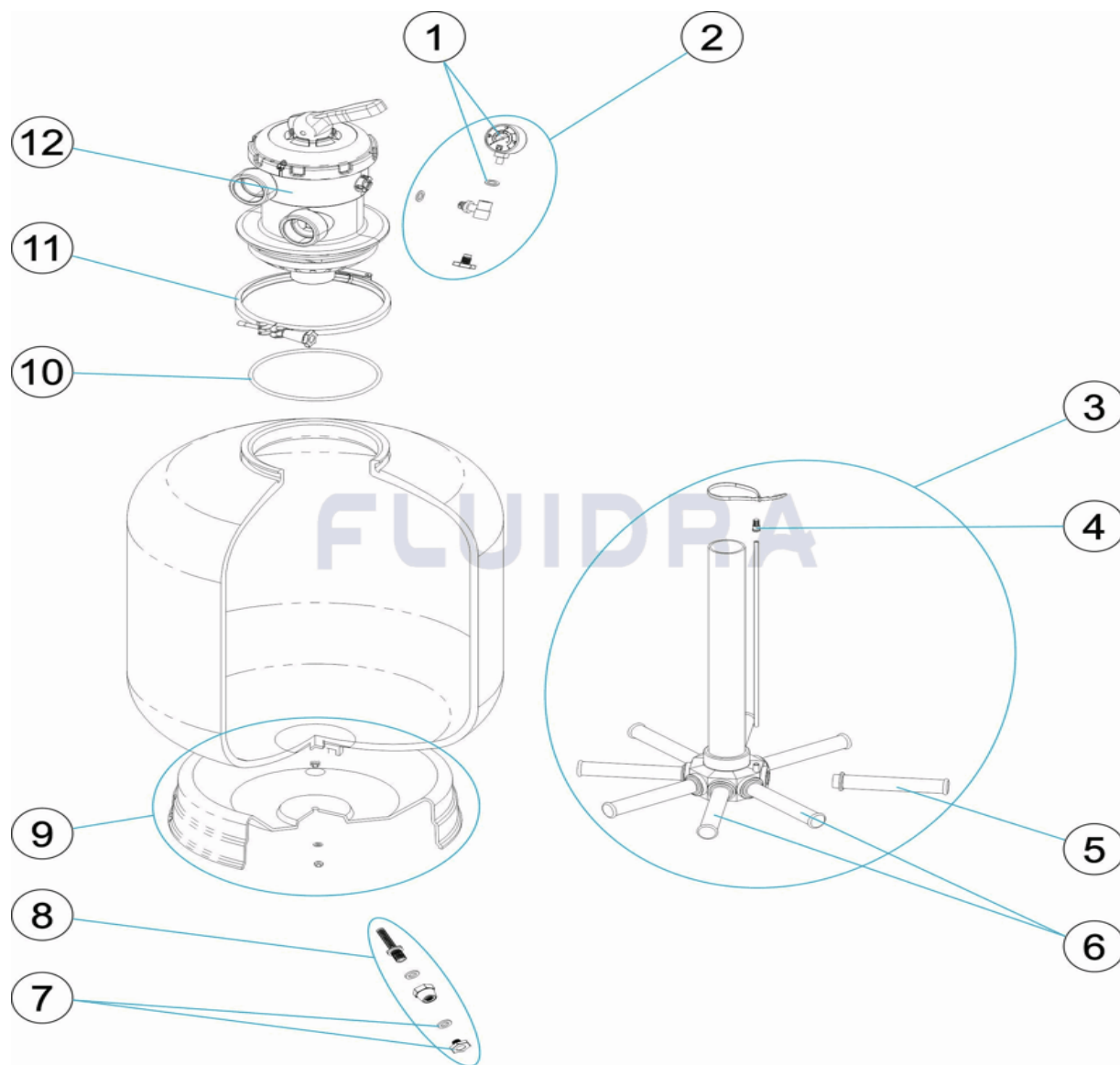
DESCRIPCION: FILTRO BWT2 400-900

OBSERVACIONES

POS	CODIGO	OBSERVACIONES
3	* 4404010080	PARA: 66243CL96
3	* 4404010081	PARA: 66244CL96
3	* 4404010082	PARA: 66245CL96, 71274
3	* 4404010352	PARA: 66246CL96
3	* 4404010337	PARA: 66247CL96
5	* 4404300917	PARA: 66243CL96 [4UT], 66246CL96 [6UT]
5	* 4404300915	PARA: 66244CL96 [4UT], 66247CL96 [6UT]
5	* 4404300916	PARA: 66245CL96 [4UT], 71274 [4UT]
6	* 4404010025	PARA: 66243CL96, 66246CL96
6	* 4404010026	PARA: 66244CL96, 66247CL96
6	* 4404010027	PARA: 66245CL96, 71274
7	* 4404250010	PARA: 66243CL96, 66244CL96, 66245CL96, 71274
7	* 4404040113	PARA: 66246CL96, 66247CL96
8	* 4404070105	PARA: 66243CL96, 66244CL96, 66245CL96, 71274
8	* 4404010108	PARA: 66246CL96, 66247CL96
9	* 4404010353	PARA: 66243CL96
9	* 4404010354	PARA: 66247CL96
9	* 4404010051	PARA: 66245CL96, 71274
9	* 4404300924	PARA: 66246CL96
9	* 4404010240	PARA: 66247CL96
11	* 4404080103	PARA: 66243CL96, 66244CL96, 66245CL96, 71274
11	* 4404040000	PARA: 66246CL96, 66247CL96
12	* 20565	PARA: 66243CL96, 66244CL96, 66245CL96, 71274
12	* 33968	PARA: 66246CL96, 66247CL96

CODE 66243CL96, 66244CL96, 66245CL96, 66246CL96, 66247CL96, 71274

DESCRIPTION: FILTRE BWT2 400-900



FRANCAIS

POS	CODE	DESCRIPTION	QUANTITE	POS	CODE	DESCRIPTION	QUANTITE
1	4404220102	MANOMETRE 1/8" 3 KG./C "		7	* 4404250010	ENSEMBLE PURGE FILTER	
2	4404220101	MANOMETRE COMPLET		7	* 4404040113	BOUCHON PURGE ET JOINT	
3	* 4404010080	ENSEMBLE COLLECTEUR D. 400 TOP		8	* 4404070105	CREPINE DE PURGE 3/8'	
3	* 4404010081	ENSEMBLE COLLECTEUR D. 500 TOP		8	* 4404010108	PURGE D'EAU 3/8"	
3	* 4404010082	ENSEMBLE COLLECTEUR D. 600 TOP		9	* 4404010353	SOCLE FILTRE D 400	
3	* 4404010352	ENSEMBLE COLLECTEUR D. 750 TOP		9	* 4404010354	SOCLE FILTRE D 500	
3	* 4404010337	ENSEMBLE COLLECTEUR D. 900 TOP		9	* 4404010051	SOCLE FILTRE D 600	
4	4404040108	PURGE D'AIR		9	* 4404300924	SOCLE FILTRE D 750	
5	* 4404300917	BRAS DE REPARTITEUR 1" 110 M "		9	* 4404010240	SOCLE FILTRE D. 900	
5	* 4404300915	BRAS DE REPARTITEUR 1" 175 M "		10	4404080101	JOINT TORIQUE COUVERCLE	
5	* 4404300916	BRAS DE REPARTITEUR 1" 225 M "		11	* 4404080103	COLLIER DE FERMETURE 203 NOIR	
6	* 4404010025	ENSEMBLE BRAS DE REPARTITEUR D. 400		11	* 4404040000	ENS. COLLIER	
6	* 4404010026	ENSEMBLE BRAS DE REPARTITEUR		12	* 20565	SÉLECTEUR 1 1/2" TO "	

*** VOIR FICHE D'OBSERVATIONS**

CODE **66243CL96, 66244CL96, 66245CL96, 66246CL96, 66247CL96, 71274**

DESCRIPTION: **FILTRE BWT2 400-900**

6	* 4404010027	ENSEMBLE BRAS DE REPARTITEUR D. 65	12	* 33968	SÉLECTEUR TOP 2" BAÏONNETT *
---	--------------	------------------------------------	----	---------	------------------------------

CODE **66243CL96, 66244CL96, 66245CL96, 66246CL96, 66247CL96, 71274**

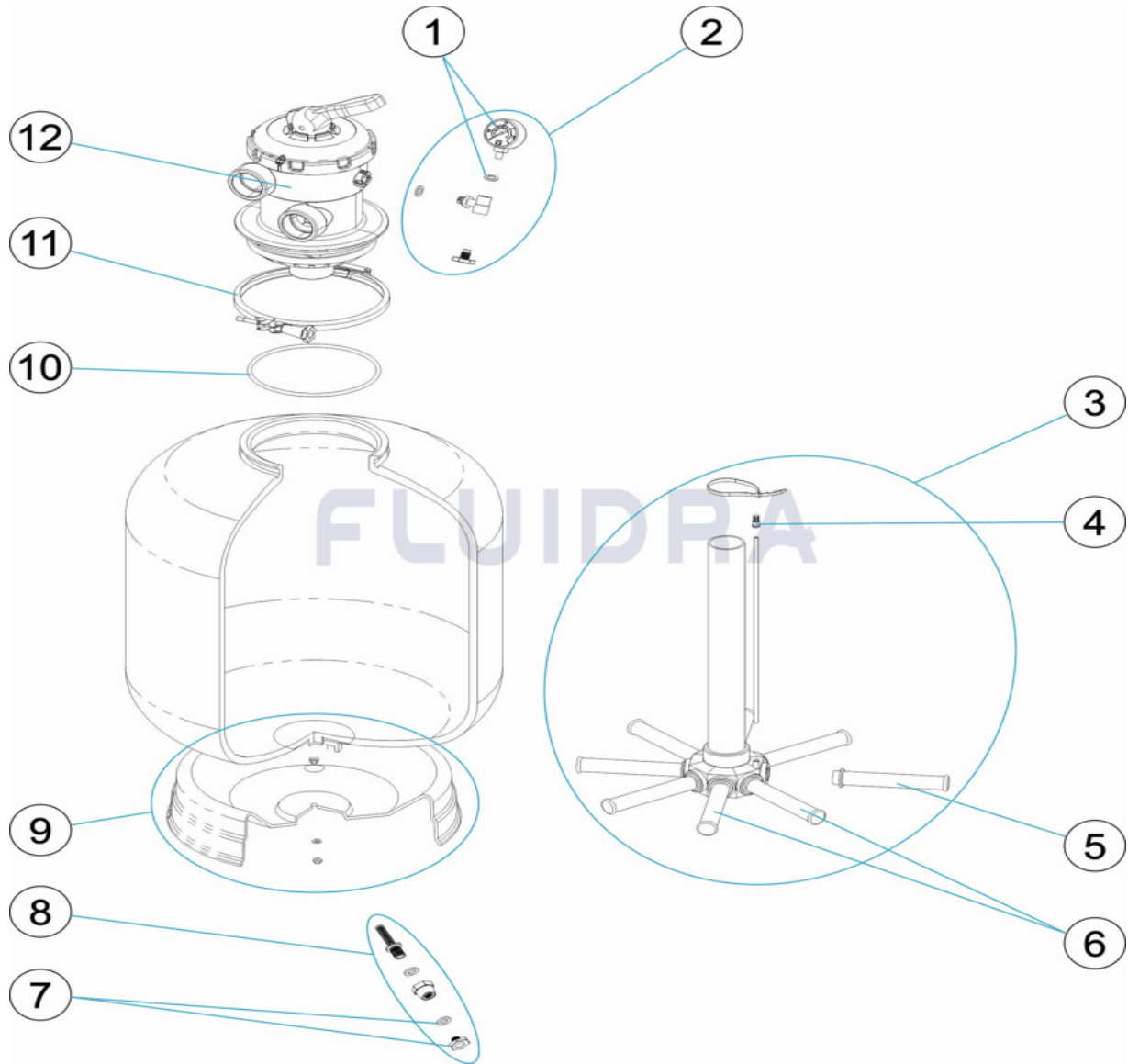
DESCRIPTION: **FILTRE BWT2 400-900**

OBSERVATIONS

POS	CODE	OBSERVATIONS
3	* 4404010080	POUR: 66243CL96
3	* 4404010081	POUR: 66244CL96
3	* 4404010082	POUR: 66245CL96, 71274
3	* 4404010352	POUR: 66246CL96
3	* 4404010337	POUR: 66247CL96
5	* 4404300917	POUR: 66243CL96 [4UT], 66246CL96 [6UT]
5	* 4404300915	POUR: 66244CL96 [4UT], 66247CL96 [6UT]
5	* 4404300916	POUR: 66245CL96 [4UT], 71274 [4UT]
6	* 4404010025	POUR: 66243CL96, 66246CL96
6	* 4404010026	POUR: 66244CL96, 66247CL96
6	* 4404010027	POUR: 66245CL96, 71274
7	* 4404250010	POUR: 66243CL96, 66244CL96, 66245CL96, 71274
7	* 4404040113	POUR: 66246CL96, 66247CL96
8	* 4404070105	POUR: 66243CL96, 66244CL96, 66245CL96, 71274
8	* 4404010108	POUR: 66246CL96, 66247CL96
9	* 4404010353	POUR: 66243CL96
9	* 4404010354	POUR: 66247CL96
9	* 4404010051	POUR: 66245CL96, 71274
9	* 4404300924	POUR: 66246CL96
9	* 4404010240	POUR: 66247CL96
11	* 4404080103	POUR: 66243CL96, 66244CL96, 66245CL96, 71274
11	* 4404040000	POUR: 66246CL96, 66247CL96
12	* 20565	POUR: 66243CL96, 66244CL96, 66245CL96, 71274
12	* 33968	POUR: 66246CL96, 66247CL96

CODE **66243CL96, 66244CL96, 66245CL96, 66246CL96, 66247CL96, 71274**

DESCRIPTION: **BWT2 400-900 FILTER**



ENGLISH

POS	CODE	DESCRIPTION	QUANTITY	POS	CODE	DESCRIPTION	QUANTITY
1	4404220102	PRESSURE GAUGE 1/8" 3 KG./C "		7	* 4404250010	FILTER PUEGE ASSEMBLY	
2	4404220101	COMPLETE PRESSURE GAUGE UNIT		7	* 4404040113	DRAIN PLUG AND GASKET	
3	* 4404010080	MANIFOLD ASSEMBLY D. 400 TOP		8	* 4404070105	DRAINAGE STRAINER NOZZLE 3/8"	
3	* 4404010081	MANIFOLD ASSEMBLY D. 500 TOP		8	* 4404010108	WATER PURGE 3/8"	
3	* 4404010082	MANIFOLD ASSEMBLY D. 600 TOP		9	* 4404010353	FILTER BASE D. 400	
3	* 4404010352	MANIFOLD ASSEMBLY D. 750 TOP		9	* 4404010354	FILTER BASE D. 500	
3	* 4404010337	MANIFOLD ASSEMBLY D. 900 TOP		9	* 4404010051	FILTER BASE D. 600	
4	4404040108	AIR PURGE		9	* 4404300924	FILTER BASE D. 750	
5	* 4404300917	MANIFOLD ARM 1" 110 M "		9	* 4404010240	FILTER BASE D. 900	
5	* 4404300915	MANIFOLD ARM 1" 175 M "		10	4404080101	LID 'O' RING	
5	* 4404300916	MANIFOLD ARM 1" 225 M "		11	* 4404080103	BLACK LOCKING FIXTURE 203	
6	* 4404010025	MANIFOLD ARM ASSEMBLY D. 400		11	* 4404040000	SET BAND	
6	* 4404010026	MANIFOLD ARM ASSEMBLY		12	* 20565	MULTIPOINT VALVE 1/2" TO "	

*** SEE OBSERVATIONS SHEET**

CODE **66243CL96, 66244CL96, 66245CL96, 66246CL96, 66247CL96, 71274**

DESCRIPTION: **BWT2 400-900 FILTER**

6	* 4404010027	MANIFOLD ARM ASSEMBLY D. 650	12	* 33968	MULTIPOINT VALVE TOP 2" LEVEL INDICATK
---	--------------	------------------------------	----	---------	--

CODE **66243CL96, 66244CL96, 66245CL96, 66246CL96, 66247CL96, 71274**

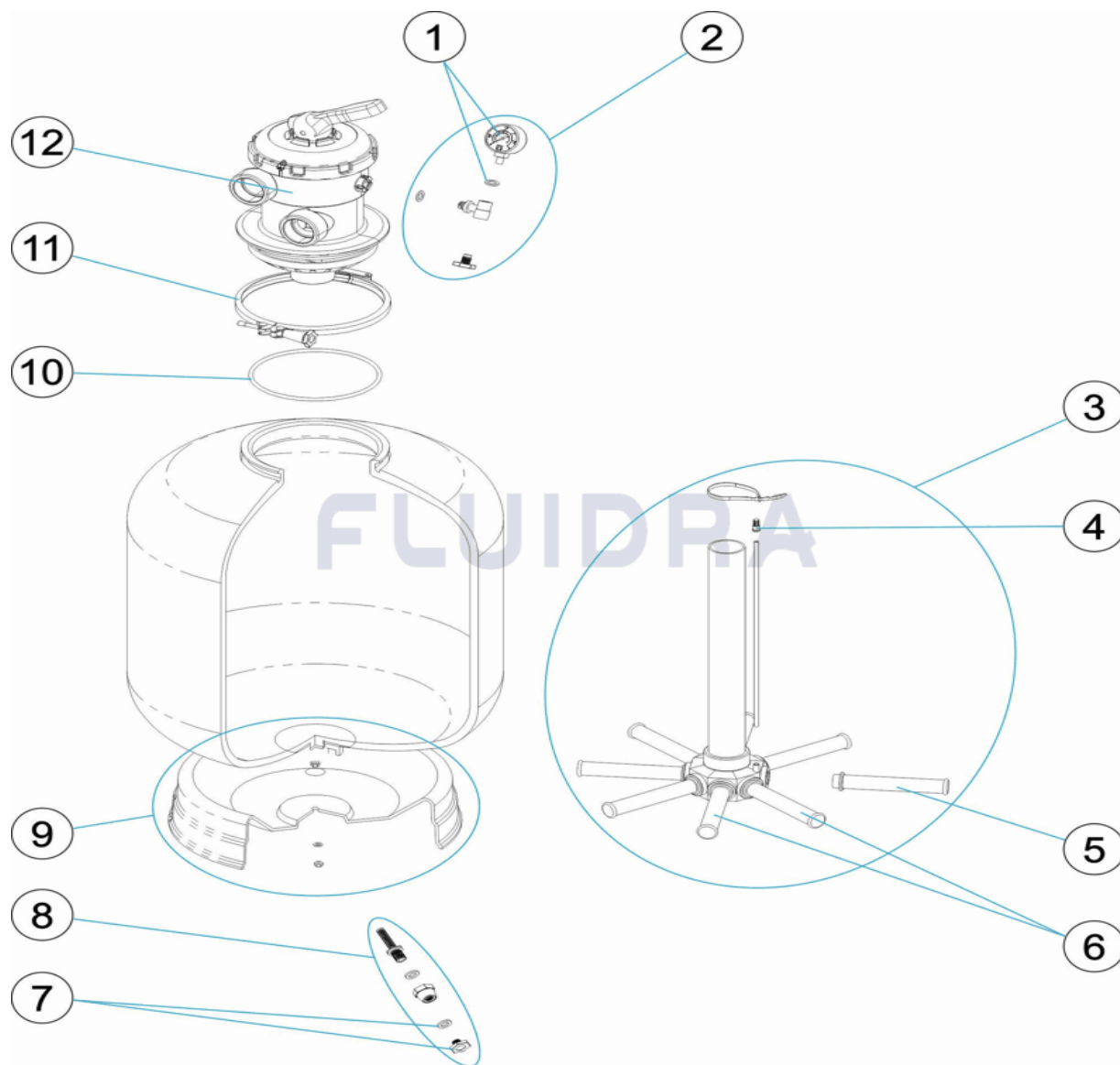
DESCRIPTION: **BWT2 400-900 FILTER**

OBSERVATIONS

POS	CODE	OBSERVATIONS
3	* 4404010080	FOR: 66243CL96
3	* 4404010081	FOR: 66244CL96
3	* 4404010082	FOR: 66245CL96, 71274
3	* 4404010352	FOR: 66246CL96
3	* 4404010337	FOR: 66247CL96
5	* 4404300917	FOR: 66243CL96 [4UT], 66246CL96 [6UT]
5	* 4404300915	FOR: 66244CL96 [4UT], 66247CL96 [6UT]
5	* 4404300916	FOR: 66245CL96 [4UT], 71274 [4UT]
6	* 4404010025	FOR: 66243CL96, 66246CL96
6	* 4404010026	FOR: 66244CL96, 66247CL96
6	* 4404010027	FOR: 66245CL96, 71274
7	* 4404250010	FOR: 66243CL96, 66244CL96, 66245CL96, 71274
7	* 4404040113	FOR: 66246CL96, 66247CL96
8	* 4404070105	FOR: 66243CL96, 66244CL96, 66245CL96, 71274
8	* 4404010108	FOR: 66246CL96, 66247CL96
9	* 4404010353	FOR: 66243CL96
9	* 4404010354	FOR: 66247CL96
9	* 4404010051	FOR: 66245CL96, 71274
9	* 4404300924	FOR: 66246CL96
9	* 4404010240	FOR: 66247CL96
11	* 4404080103	FOR: 66243CL96, 66244CL96, 66245CL96, 71274
11	* 4404040000	FOR: 66246CL96, 66247CL96
12	* 20565	FOR: 66243CL96, 66244CL96, 66245CL96, 71274
12	* 33968	FOR: 66246CL96, 66247CL96

CODICE **66243CL96, 66244CL96, 66245CL96, 66246CL96, 66247CL96, 71274**

DESCRIZIONE: **FILTRI BWT2 400-900**



ITALIANO

POS	CODICE	DESCRIZIONE	QUANTITA'	POS	CODICE	DESCRIZIONE	QUANTITA'
1	4404220102	MANOMETRO 1/8" 3 KG./C "		7	* 4404250010	CONGIUNTO PURGA FILTRO	
2	4404220101	MANOMETRO COMPLETO		7	* 4404040113	TAPPO SPURGO E GUARNIZIONE	
3	* 4404010080	KIT COLLETTORE D. 400 TOP		8	* 4404070105	DIFFUSORE SCARICO 3/8"	
3	* 4404010081	KIT COLLETTORE D. 500 TOP		8	* 4404010108	SCARICO ACQUA 3/8"	
3	* 4404010082	KIT COLLETTORE D. 600 TOP		9	* 4404010353	BASE FILTRO D 400	
3	* 4404010352	KIT COLLETTORE D. 750 TOP		9	* 4404010354	BASE FILTRO D 500	
3	* 4404010337	KIT COLLETTORE D. 900 TOP		9	* 4404010051	BASE FILTRO D 600	
4	4404040108	SFIATO ARIA		9	* 4404300924	BASE FILTRO D 750	
5	* 4404300917	CANDELOTTO COLLECTORE 1" 110 M "		9	* 4404010240	BASE FILTRO D. 900	
5	* 4404300915	CANDELOTTO COLLECTORE 1" 175 M "		10	4404080101	O-RING COPERCHIO	
5	* 4404300916	CANDELOTTO COLLECTORE 1" 225 M "		11	* 4404080103	ANELLO CHIUSURA 203 NERO	
6	* 4404010025	GRUPPO CANDELOTTO COLLECTORE D. 4		11	* 4404040000	GRUPPO FASCETTA	
6	* 4404010026	GRUPPO CANDELOTTO COLLECTORE		12	* 20565	VALVOLA SELETRICE 1 1/2" TO "	

*** SI FACCIA RIFERIMENTO AL FOGLIO DELLE OSSERVAZIONI**

CODICE **66243CL96, 66244CL96, 66245CL96, 66246CL96, 66247CL96, 71274**

DESCRIZIONE: **FILTRI BWT2 400-900**

6	* 4404010027	GRUPPO CANDELOTTO COLLECTORE D. €	12	* 33968	VALVOLA SELETRICE TOP 2" BAIONETT *
---	--------------	-----------------------------------	----	---------	-------------------------------------

CODICE **66243CL96, 66244CL96, 66245CL96, 66246CL96, 66247CL96, 71274**

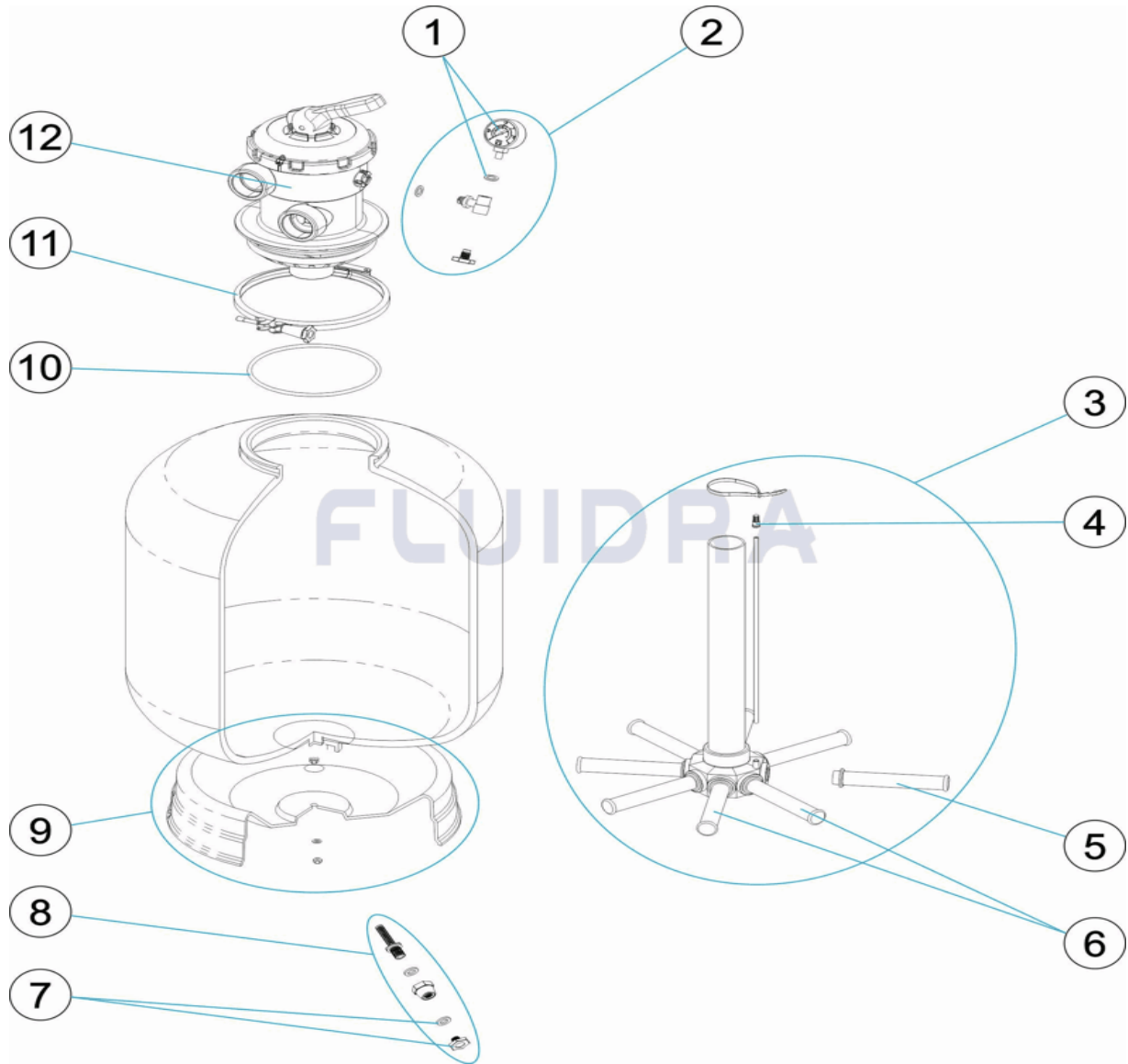
DESCRIZIONE: **FILTRI BWT2 400-900**

OSSERVAZIONI

POS	CODICE	OSSERVAZIONI
3	* 4404010080	PER: 66243CL96
3	* 4404010081	PER: 66244CL96
3	* 4404010082	PER: 66245CL96, 71274
3	* 4404010352	PER: 66246CL96
3	* 4404010337	PER: 66247CL96
5	* 4404300917	PER: 66243CL96 [4UT], 66246CL96 [6UT]
5	* 4404300915	PER: 66244CL96 [4UT], 66247CL96 [6UT]
5	* 4404300916	PER: 66245CL96 [4UT], 71274 [4UT]
6	* 4404010025	PER: 66243CL96, 66246CL96
6	* 4404010026	PER: 66244CL96, 66247CL96
6	* 4404010027	PER: 66245CL96, 71274
7	* 4404250010	PER: 66243CL96, 66244CL96, 66245CL96, 71274
7	* 4404040113	PER: 66246CL96, 66247CL96
8	* 4404070105	PER: 66243CL96, 66244CL96, 66245CL96, 71274
8	* 4404010108	PER: 66246CL96, 66247CL96
9	* 4404010353	PER: 66243CL96
9	* 4404010354	PER: 66247CL96
9	* 4404010051	PER: 66245CL96, 71274
9	* 4404300924	PER: 66246CL96
9	* 4404010240	PER: 66247CL96
11	* 4404080103	PER: 66243CL96, 66244CL96, 66245CL96, 71274
11	* 4404040000	PER: 66246CL96, 66247CL96
12	* 20565	PER: 66243CL96, 66244CL96, 66245CL96, 71274
12	* 33968	PER: 66246CL96, 66247CL96

CODE 66243CL96, 66244CL96, 66245CL96, 66246CL96, 66247CL96, 71274

BESCHREIBUNG: FILTER BWT2 400-900



DEUTSCH

POS	CODE	BESCHREIBUNG	MENGE	POS	CODE	BESCHREIBUNG	MENGE
1	4404220102	MANOMETER 1/8" 3 KG/C "		7	* 4404250010	SET ABLASS FILTER	
2	4404220101	MANOMETER KOMPLETT		7	* 4404040113	ABLASSSTOPFEN UND DICHTUNG	
3	* 4404010080	SAMMELROHRSET D. 400 TOP		8	* 4404070105	FILTERSTOPFEN ABLASS 3/8'	
3	* 4404010081	SAMMELROHRSET D. 500 TOP		8	* 4404010108	WASSERABLASS 3/8"	
3	* 4404010082	SAMMELROHRSET D. 600 TOP		9	* 4404010353	FILTERFUSS D. 400	
3	* 4404010352	SAMMELROHRSET D. 750 TOP		9	* 4404010354	FILTERFUSS D. 500	
3	* 4404010337	SAMMELROHRSET D. 900 TOP		9	* 4404010051	FILTERFUSS D. 600	
4	4404040108	ENTLÜFTUNG		9	* 4404300924	FILTERFUSS D. 750	
5	* 4404300917	FILTERSTERN-SCHLITZROHR 1" 110 M "		9	* 4404010240	FILTERFUSS D. 900	
5	* 4404300915	FILTERSTERN-SCHLITZROHR 1" 175 M "		10	4404080101	O-RING ABDECKUNG	
5	* 4404300916	FILTERSTERN-SCHLITZROHR 1" 225 M "		11	* 4404080103	SCHLIESSRING 203 SCHWARZ	
6	* 4404010025	SET FILTERSTERN-SCHLITZROHR D. 400		11	* 4404040000	SET EINSATZ	
6	* 4404010026	SET FILTERSTERN-SCHLITZROHR		12	* 20565	MEHRWEGVENTIL 1 1/2" TO "	

CODE **66243CL96, 66244CL96, 66245CL96, 66246CL96, 66247CL96, 71274**

BESCHREIBUNG: **FILTER BWT2 400-900**

6	* 4404010027	SET FILTERSTERN-SCHLITZROHR D. 650	12	* 33968	MEHRWEGVENTIL TOP 2" BAJONET "
---	--------------	------------------------------------	----	---------	--------------------------------

CODE **66243CL96, 66244CL96, 66245CL96, 66246CL96, 66247CL96, 71274**

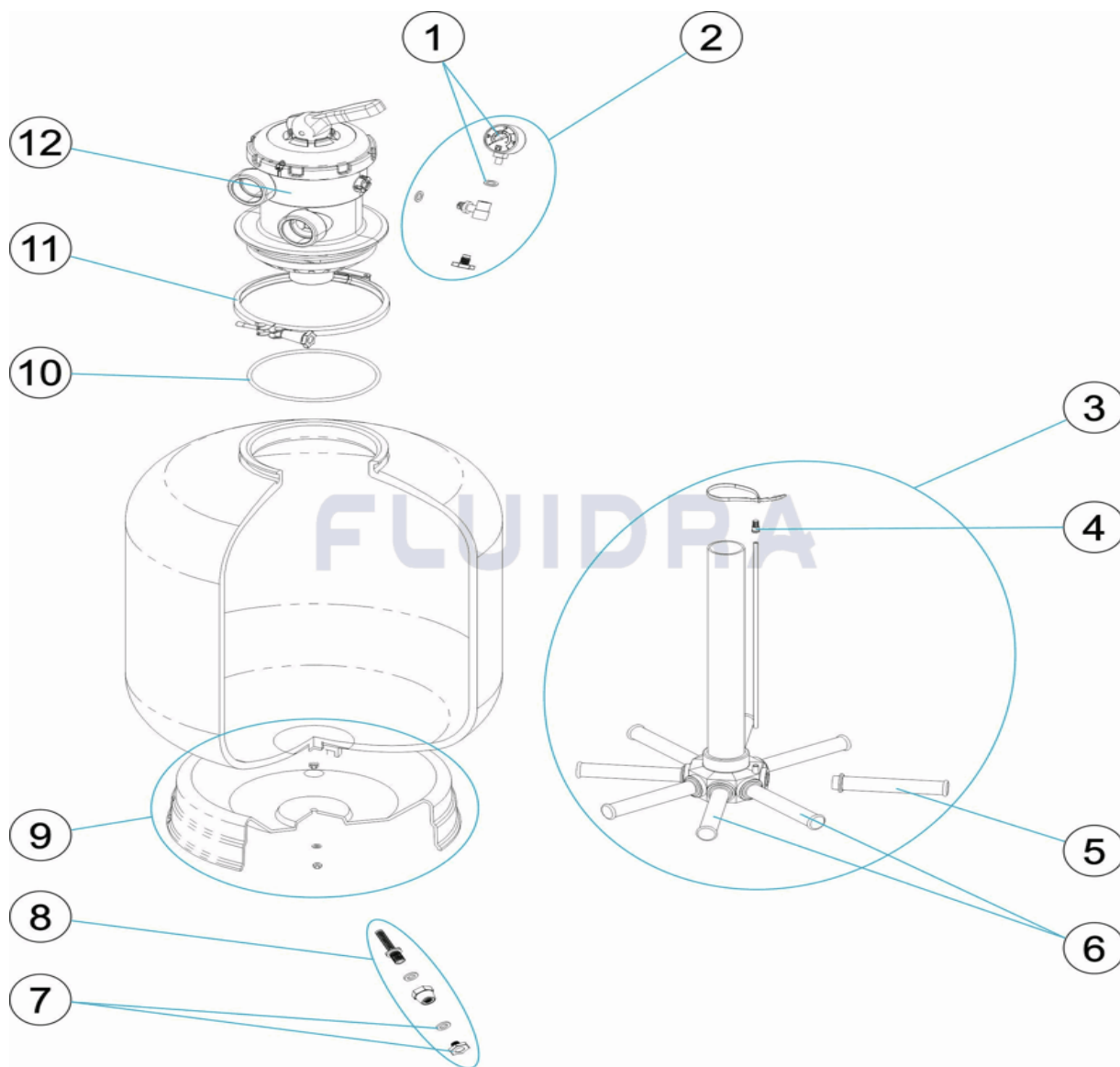
BESCHREIBUNG: **FILTER BWT2 400-900**

HINWEISE

POS	CODE	HINWEISE
3	* 4404010080	FÜR: 66243CL96
3	* 4404010081	FÜR: 66244CL96
3	* 4404010082	FÜR: 66245CL96, 71274
3	* 4404010352	FÜR: 66246CL96
3	* 4404010337	FÜR: 66247CL96
5	* 4404300917	FÜR: 66243CL96 [4UT], 66246CL96 [6UT]
5	* 4404300915	FÜR: 66244CL96 [4UT], 66247CL96 [6UT]
5	* 4404300916	FÜR: 66245CL96 [4UT], 71274 [4UT]
6	* 4404010025	FÜR: 66243CL96, 66246CL96
6	* 4404010026	FÜR: 66244CL96, 66247CL96
6	* 4404010027	FÜR: 66245CL96, 71274
7	* 4404250010	FÜR: 66243CL96, 66244CL96, 66245CL96, 71274
7	* 4404040113	FÜR: 66246CL96, 66247CL96
8	* 4404070105	FÜR: 66243CL96, 66244CL96, 66245CL96, 71274
8	* 4404010108	FÜR: 66246CL96, 66247CL96
9	* 4404010353	FÜR: 66243CL96
9	* 4404010354	FÜR: 66247CL96
9	* 4404010051	FÜR: 66245CL96, 71274
9	* 4404300924	FÜR: 66246CL96
9	* 4404010240	FÜR: 66247CL96
11	* 4404080103	FÜR: 66243CL96, 66244CL96, 66245CL96, 71274
11	* 4404040000	FÜR: 66246CL96, 66247CL96
12	* 20565	FÜR: 66243CL96, 66244CL96, 66245CL96, 71274
12	* 33968	FÜR: 66246CL96, 66247CL96

CODIGO 66243CL96, 66244CL96, 66245CL96, 66246CL96, 66247CL96, 71274

DESCRICÃO: FILTRO BWT2 400-900



PORTUGUES

POS	CODIGO	DESCRICÃO	JANTIDADE	POS	CODIGO	DESCRICÃO	JANTIDADE
1	4404220102	MANOMETRO 1/8" 3 KG./C "		7	* 4404250010	CONJUNTO PURGA FILTRO	
2	4404220101	MANÓMETRO COMPLETO		7	* 4404040113	TAMPÃO PURGA E JUNTA	
3	* 4404010080	CJTO. COLECTOR D. 400 TOP		8	* 4404070105	DRENO 3/8"	
3	* 4404010081	CJTO. COLECTOR D. 500 TOP		8	* 4404010108	PURGA AGUA 3/8"	
3	* 4404010082	CJTO. COLECTOR D. 600 TOP		9	* 4404010353	PÉ FILTRO D 400	
3	* 4404010352	CJTO. COLECTOR D. 750 TOP		9	* 4404010354	PÉ FILTRO D 500	
3	* 4404010337	CJTO. COLECTOR D. 900 TOP		9	* 4404010051	PÉ FILTRO D 600	
4	4404040108	PURGA AREIA		9	* 4404300924	PÉ FILTRO D 750	
5	* 4404300917	BRAÇO COLECTOR 1" 110 M "		9	* 4404010240	PÉ FILTRO D. 900	
5	* 4404300915	BRAÇO COLECTOR 1" 175 M "		10	4404080101	JUNTA TÓRICA TAMPA	
5	* 4404300916	BRAÇO COLECTOR 1" 225 M "		11	* 4404080103	FECHO COMPLETO	
6	* 4404010025	CJTO. BRAÇO COLECTOR D. 400		11	* 4404040000	CONJ.ANEL	
6	* 4404010026	CJTO. BRAÇO COLECTOR		12	* 20565	VÁLVULA SELECTORA 1 1/2" TO "	

CODIGO 66243CL96, 66244CL96, 66245CL96, 66246CL96, 66247CL96, 71274

DESCRIÇÃO: FILTRO BWT2 400-900

6	* 4404010027	CJTO. BRAÇO COLECTOR D.650	12	* 33968	VÁLVULA SELETORA TOP 2" BAIONET "
---	--------------	----------------------------	----	---------	-----------------------------------

CODIGO 66243CL96, 66244CL96, 66245CL96, 66246CL96, 66247CL96, 71274

DESCRIÇÃO: FILTRO BWT2 400-900

OBSERVAÇÕES

POS	CODIGO	OBSERVAÇÕES
3	* 4404010080	PARA: 66243CL96
3	* 4404010081	PARA: 66244CL96
3	* 4404010082	PARA: 66245CL96, 71274
3	* 4404010352	PARA: 66246CL96
3	* 4404010337	PARA: 66247CL96
5	* 4404300917	PARA: 66243CL96 [4UT], 66246CL96 [6UT]
5	* 4404300915	PARA: 66244CL96 [4UT], 66247CL96 [6UT]
5	* 4404300916	PARA: 66245CL96 [4UT], 71274 [4UT]
6	* 4404010025	PARA: 66243CL96, 66246CL96
6	* 4404010026	PARA: 66244CL96, 66247CL96
6	* 4404010027	PARA: 66245CL96, 71274
7	* 4404250010	PARA: 66243CL96, 66244CL96, 66245CL96, 71274
7	* 4404040113	PARA: 66246CL96, 66247CL96
8	* 4404070105	PARA: 66243CL96, 66244CL96, 66245CL96, 71274
8	* 4404010108	PARA: 66246CL96, 66247CL96
9	* 4404010353	PARA: 66243CL96
9	* 4404010354	PARA: 66247CL96
9	* 4404010051	PARA: 66245CL96, 71274
9	* 4404300924	PARA: 66246CL96
9	* 4404010240	PARA: 66247CL96
11	* 4404080103	PARA: 66243CL96, 66244CL96, 66245CL96, 71274
11	* 4404040000	PARA: 66246CL96, 66247CL96
12	* 20565	PARA: 66243CL96, 66244CL96, 66245CL96, 71274
12	* 33968	PARA: 66246CL96, 66247CL96