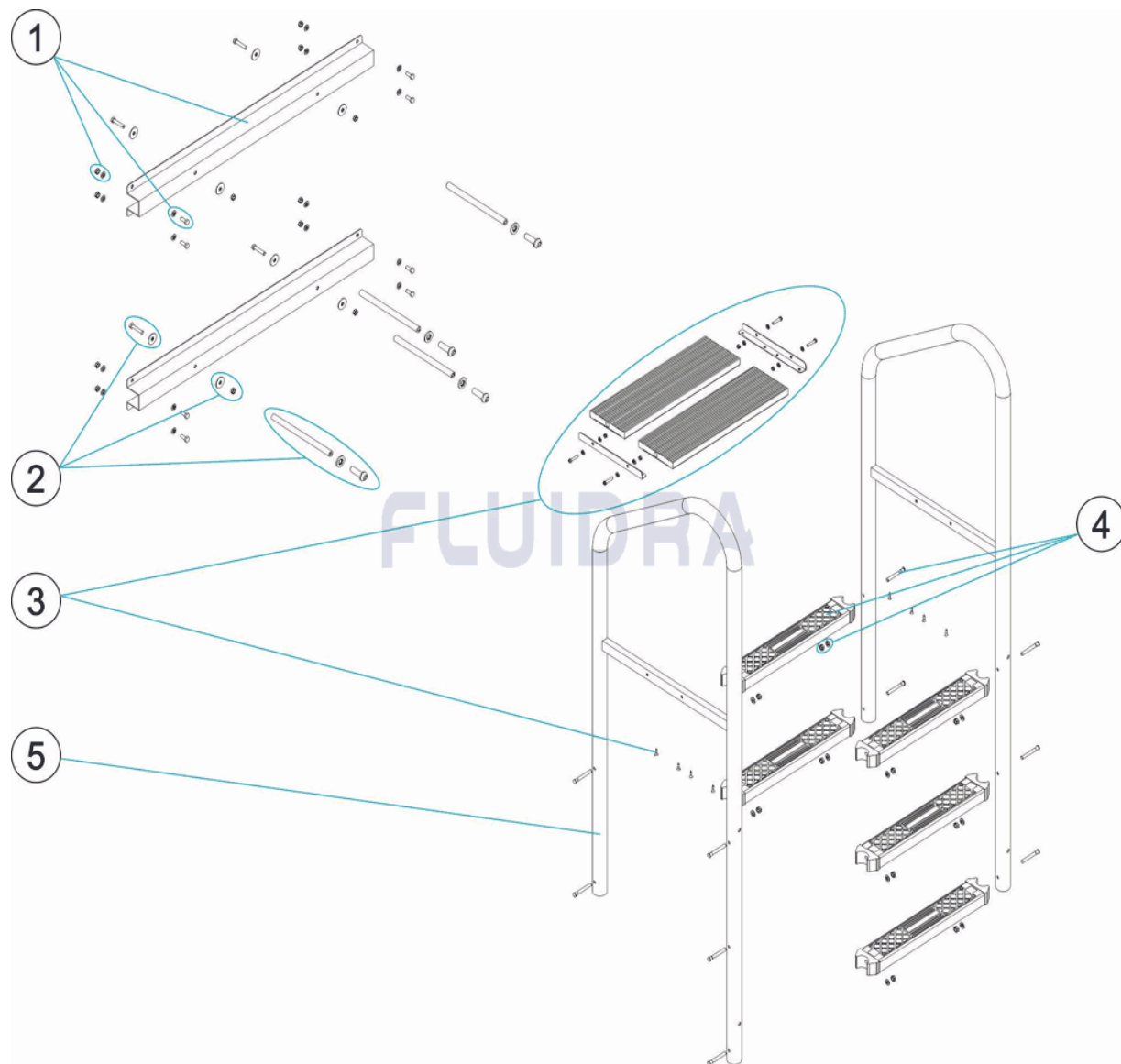


CODIGO **E-250/17**

DESCRIPCION: **ESCALERA PISCINA ELEVADA**



ESPAÑOL

POS	CODIGO	DESCRIPCION	CANTIDAD	POS	CODIGO	DESCRIPCION	CANTIDAD
1	4401010018	FIJACIÓN ESCALERA	3	*	4401010022	PELDAÑO DOBLE GRIS	
2	4401010019	DISTANCIADOR	4		4401010023	PELDAÑO LUXE	
3	* 4401010020	PELDAÑO DOBLE BLANCO	5		E-250/17R0100	PASAMANO 3+2	
3	* 4401010021	PELDAÑO DOBLE CAFÉ					

CODIGO E-250/17

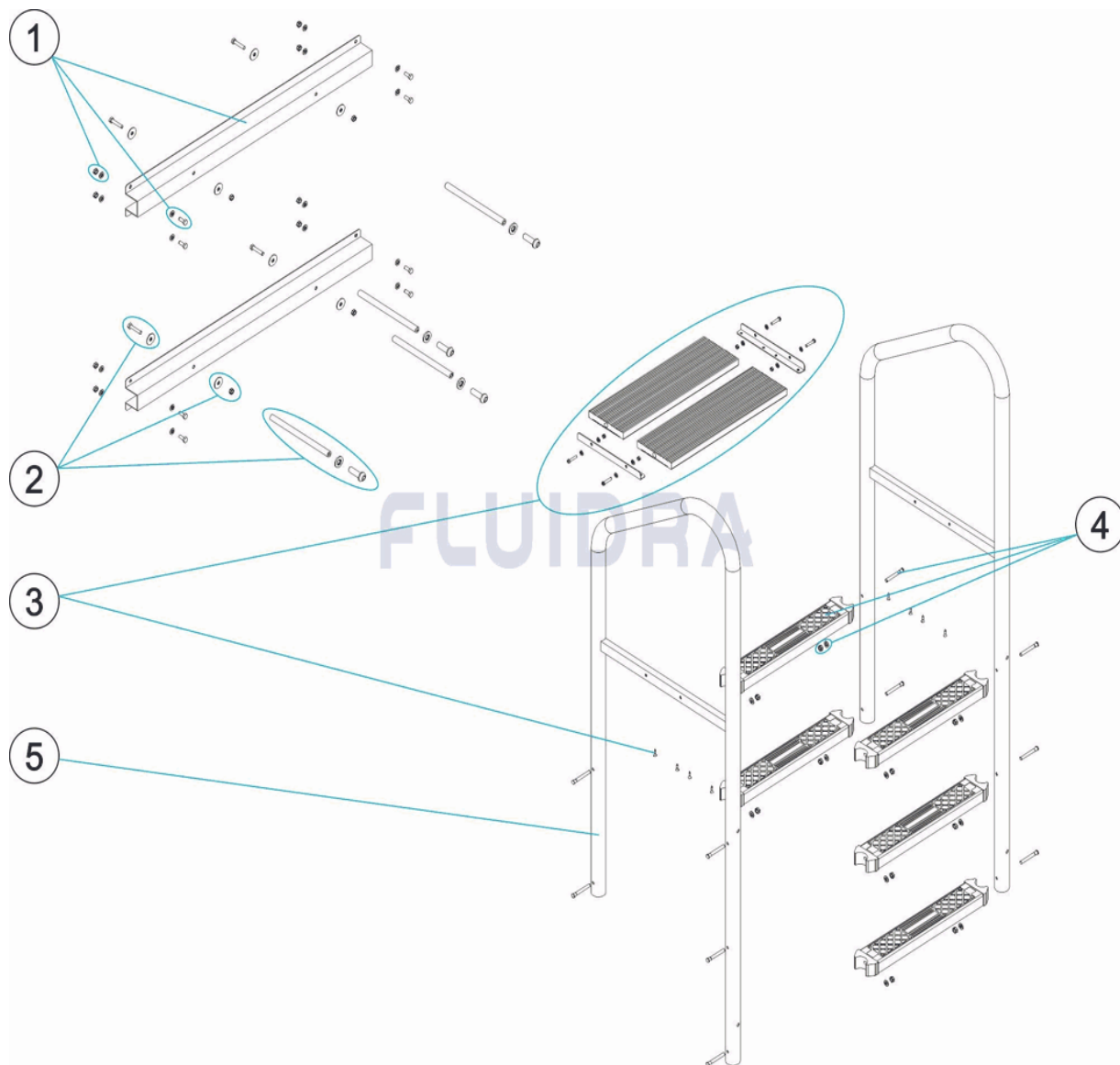
DESCRIPCION: ESCALERA PISCINA ELEVADA

OBSERVACIONES

POS	CODIGO	OBSERVACIONES
3	* 4401010020	PARA: BLANCO / WHITE
3	* 4401010021	PARA: CAFÉ / COFFEE
3	* 4401010022	PARA: GRIS / GREY

CODE **E-250/17**

DESCRIPTION: **ÉCHELLE PISCINE HORS SOL**



FRANCAIS

POS	CODE	DESCRIPTION	QUANTITE	POS	CODE	DESCRIPTION	QUANTITE
1	4401010018	FIXATION ECHELLE	3	*	4401010022	MARCHE DOUBLE GRIS	
2	4401010019	CALE	4		4401010023	MARCHE LUXE	
3	* 4401010020	MARCHE DOUBLE BLANC	5	E-250/17R0100	MAIN COURANTE 3+2		
3	* 4401010021	MARCHE DOUBLE CAFÉ					

CODE **E-250/17**

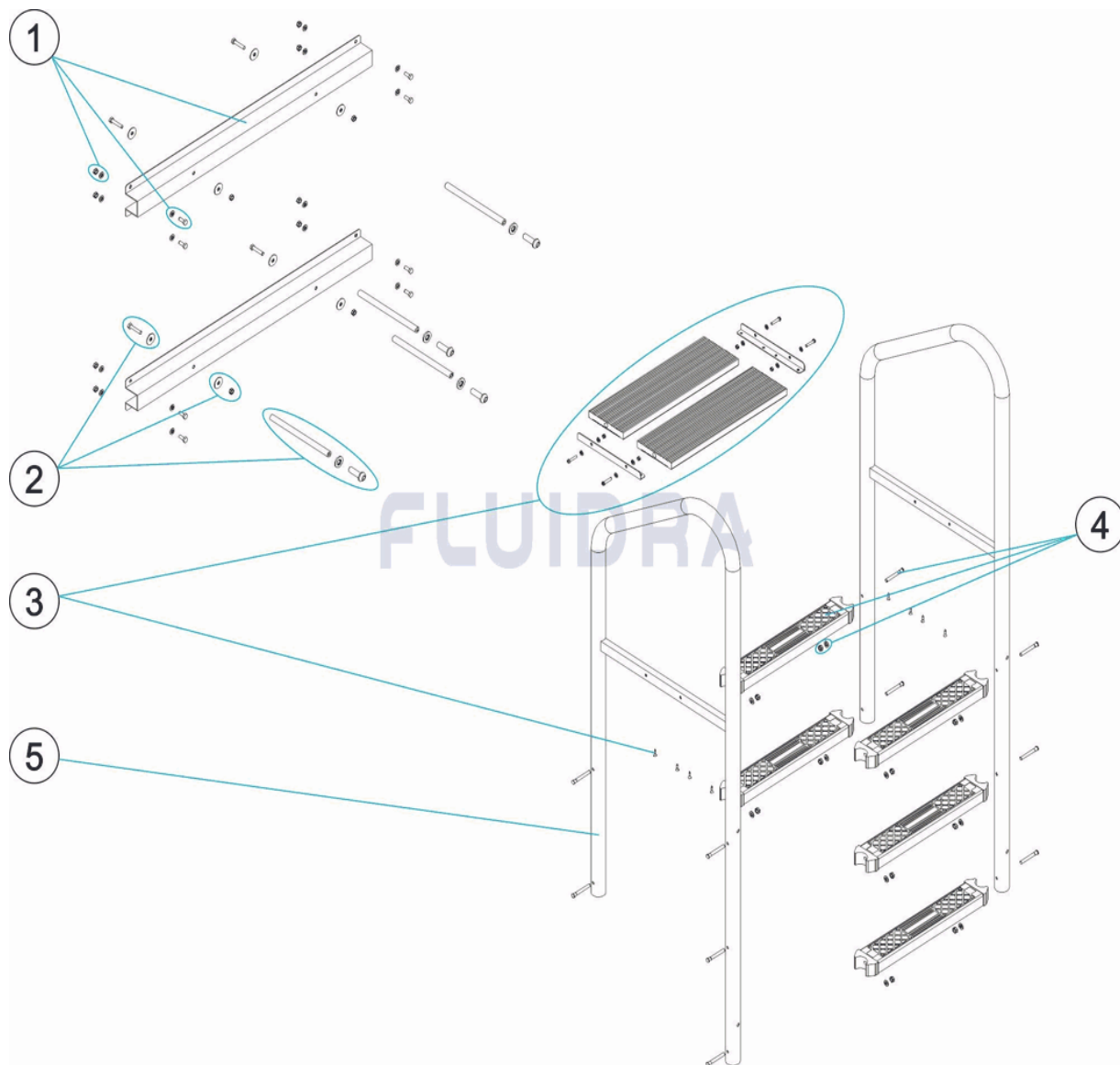
DESCRIPTION: **ÉCHELLE PISCINE HORS SOL**

OBSERVATIONS

POS	CODE	OBSERVATIONS
3	* 4401010020	POUR: BLANCO / WHITE
3	* 4401010021	POUR: CAFÉ / COFFEE
3	* 4401010022	POUR: GRIS / GREY

CODE **E-250/17**

DESCRIPTION: **ABOVE-GROUND POOL LADDER**



ENGLISH

POS	CODE	DESCRIPTION	QUANTITY	POS	CODE	DESCRIPTION	QUANTITY
1	4401010018	STAIR FIXATION		3	* 4401010022	GREY DOUBLE TREAD	
2	4401010019	SPACER		4	4401010023	DELUXE TREAD	
3	* 4401010020	WHITE DOUBLE TREAD		5	E-250/17R0100	HANDRAIL 3+2	
3	* 4401010021	COFFEE DOUBLE TREAD					

CODE **E-250/17**

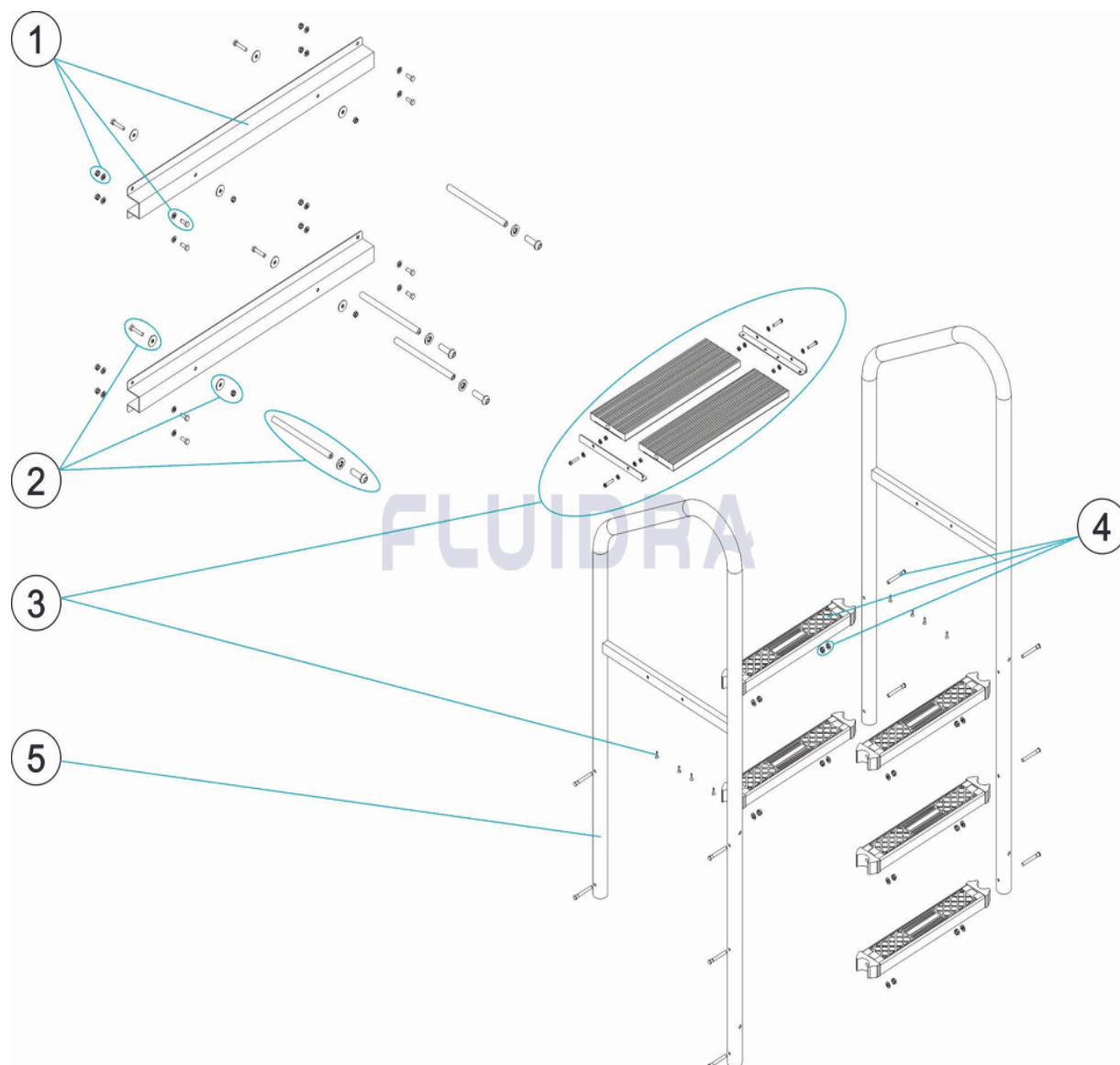
DESCRIPTION: **ABOVE-GROUND POOL LADDER**

OBSERVATIONS

POS	CODE	OBSERVATIONS
3	* 4401010020	FOR: BLANCO / WHITE
3	* 4401010021	FOR: CAFÉ / COFFEE
3	* 4401010022	FOR: GRIS / GREY

CODICE **E-250/17**

DESCRIZIONE: **SCALA PISCINA ELEVATA**



ITALIANO

POS	CODICE	DESCRIZIONE	QUANTITA'	POS	CODICE	DESCRIZIONE	QUANTITA'
1	4401010018	FISSAGGIO SCALA		3	* 4401010022	GRADINO DOPPIO GRIGIO	
2	4401010019	DISTANZIATORE		4	4401010023	GRADINO LUXE	
3	* 4401010020	GRADINO DOPPIO BIANCO		5	E-250/17R0100	CORRIMANO 3+2	
3	* 4401010021	GRADINO DOPPIO CAFFÈ					

CODICE E-250/17

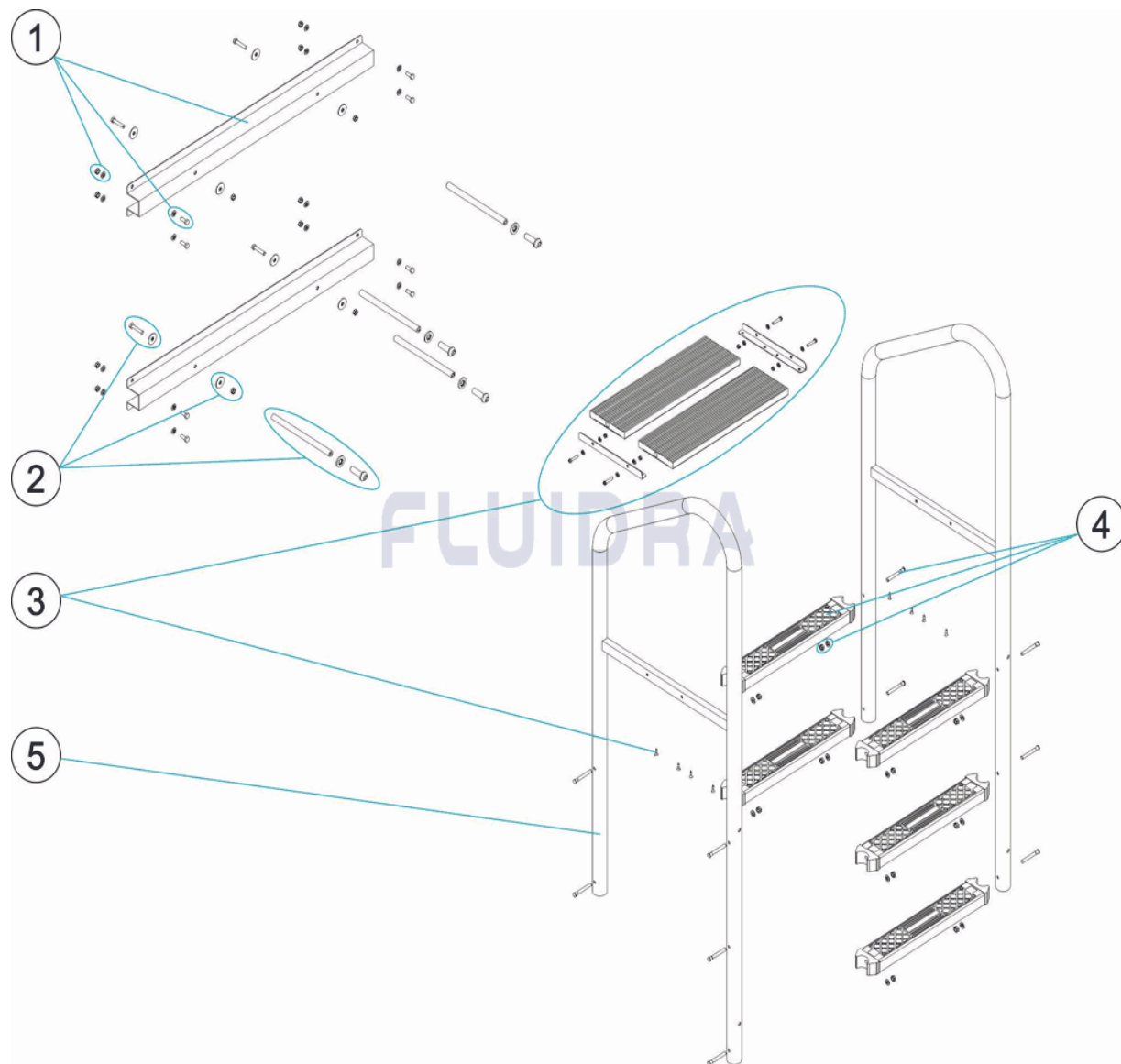
DESCRIZIONE: SCALA PISCINA ELEVATA

OSSERVAZIONI

POS	CODICE	OSSERVAZIONI
3	* 4401010020	PER: BLANCO / WHITE
3	* 4401010021	PER: CAFÉ / COFFEE
3	* 4401010022	PER: GRIS / GREY

CODE **E-250/17**

BESCHREIBUNG: **TREPPE AUFSTELLBECKEN**



DEUTSCH

POS	CODE	BESCHREIBUNG	MENGE	POS	CODE	BESCHREIBUNG	MENGE
1	4401010018	TREPPENFIXIERUNG		3	* 4401010022	STUFE DOPPELT GRAU	
2	4401010019	DISTANZSTÜCK		4	4401010023	STUFE LUXE	
3	* 4401010020	STUFE DOPPELT WEISS		5	E-250/17R0100	HANDLAUF 3+2	
3	* 4401010021	STUFE DOPPELT KAFFEE					

CODE **E-250/17**

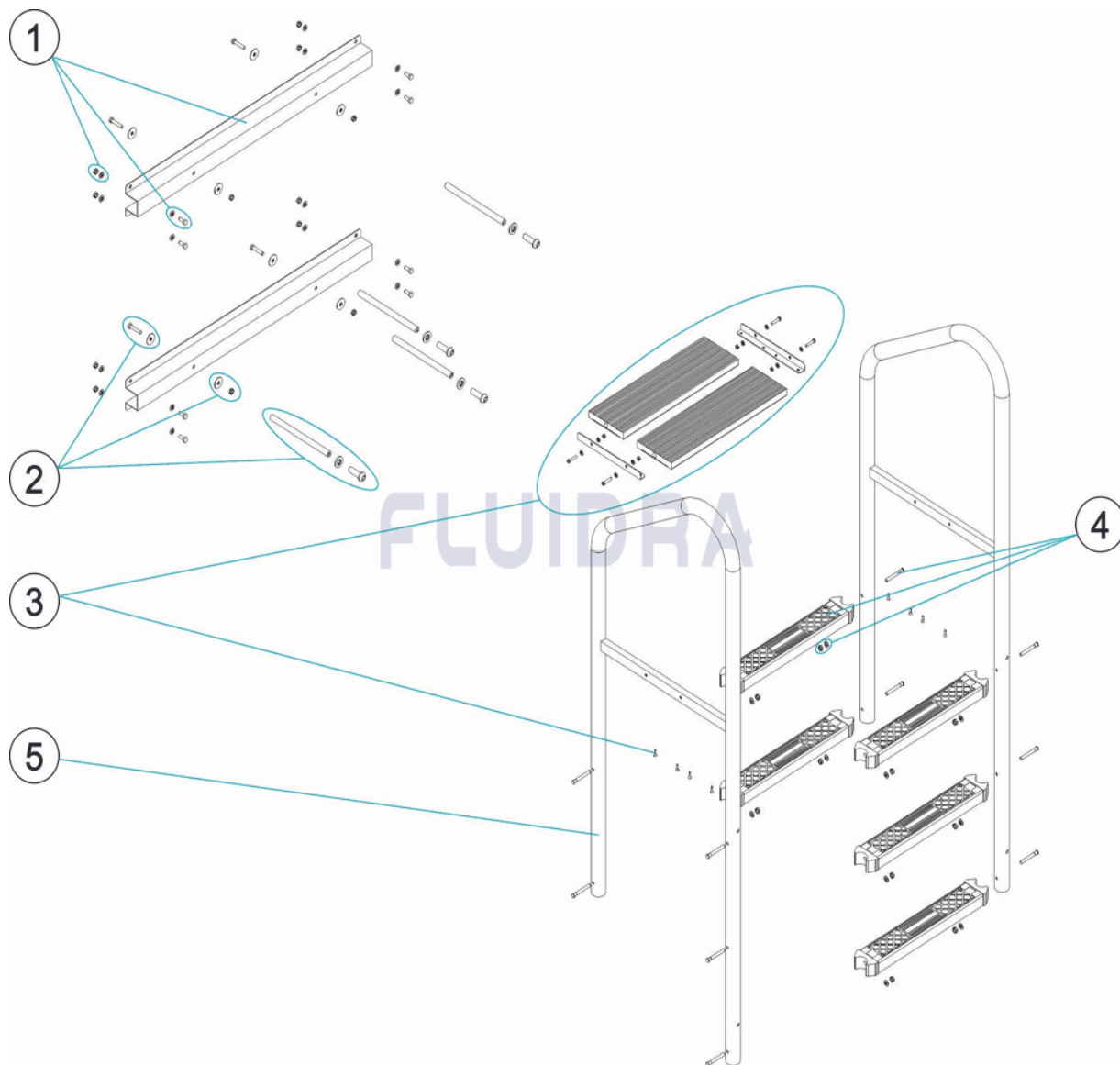
BESCHREIBUNG: **TREPPE AUFSTELLBECKEN**

HINWEISE

POS	CODE	HINWEISE
3	* 4401010020	FÜR: BLANCO / WHITE
3	* 4401010021	FÜR: CAFÉ / COFFEE
3	* 4401010022	FÜR: GRIS / GREY

CODIGO **E-250/17**

DESCRIÇÃO: **ESCADA PISCINA ELEVADA**



PORTUGUES

POS	CODIGO	DESCRIÇÃO	JANTIDADE	POS	CODIGO	DESCRIÇÃO	JANTIDADE
1	4401010018	FIXAÇÃO ESCADA	3	*	4401010022	DEGRAU DUPLO CINZENTO	
2	4401010019	DISTANCIADOR	4		4401010023	DEGRAU LUXE	
3	* 4401010020	DEGRAU DUPLO BRANCO	5	E-250/17R0100	CORRIMÃO 3+2		
3	* 4401010021	DEGRAU DUPLO CAFÉ					

CODIGO E-250/17

DESCRIÇÃO: ESCADA PISCINA ELEVADA

OBSERVACÕES

POS	CODIGO	OBSERVACÕES
3	* 4401010020	PARA: BLANCO / WHITE
3	* 4401010021	PARA: CAFÉ / COFFEE
3	* 4401010022	PARA: GRIS / GREY