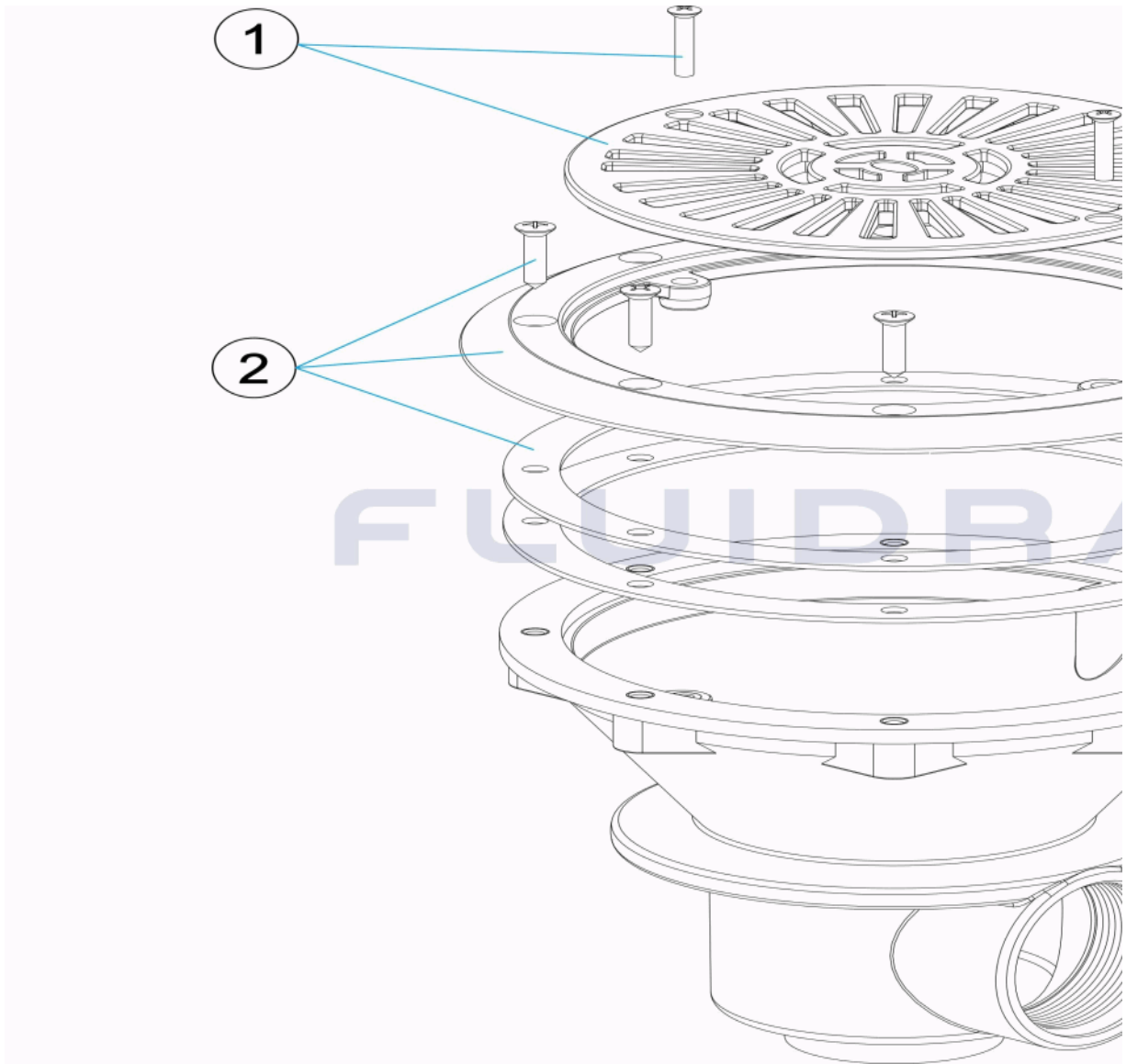


CODIGO **00271, 00271CL090, 00271CL129, 00271CL144**

DESCRIPCION: **SUMIDERO D. 210 PP S. LAT 2" BS "**



ESPAÑOL

POS	CODIGO	DESCRIPCION	CANTIDAD	POS	CODIGO	DESCRIPCION	CANTIDAD
1	* 4402021102	REJA SUMIDERO 2' P.PREF.		2	* 4402021101	ARO SUMIDERO 2'	
1	* 4402020029	REJA SUMIDERO 2' P.PREF.		2	* 4402020030	ARO SUMIDERO 2'	
1	* 4402010122	REJA SUMIDERO 2' P.PREF.		2	* 4402010123	ARO SUMIDERO 2'	
1	* 4402020026	REJA SUMIDERO 2' P.PREF.		2	* 4402020027	ARO SUMIDERO 2'	

CODIGO 00271, 00271CL090, 00271CL129, 00271CL144

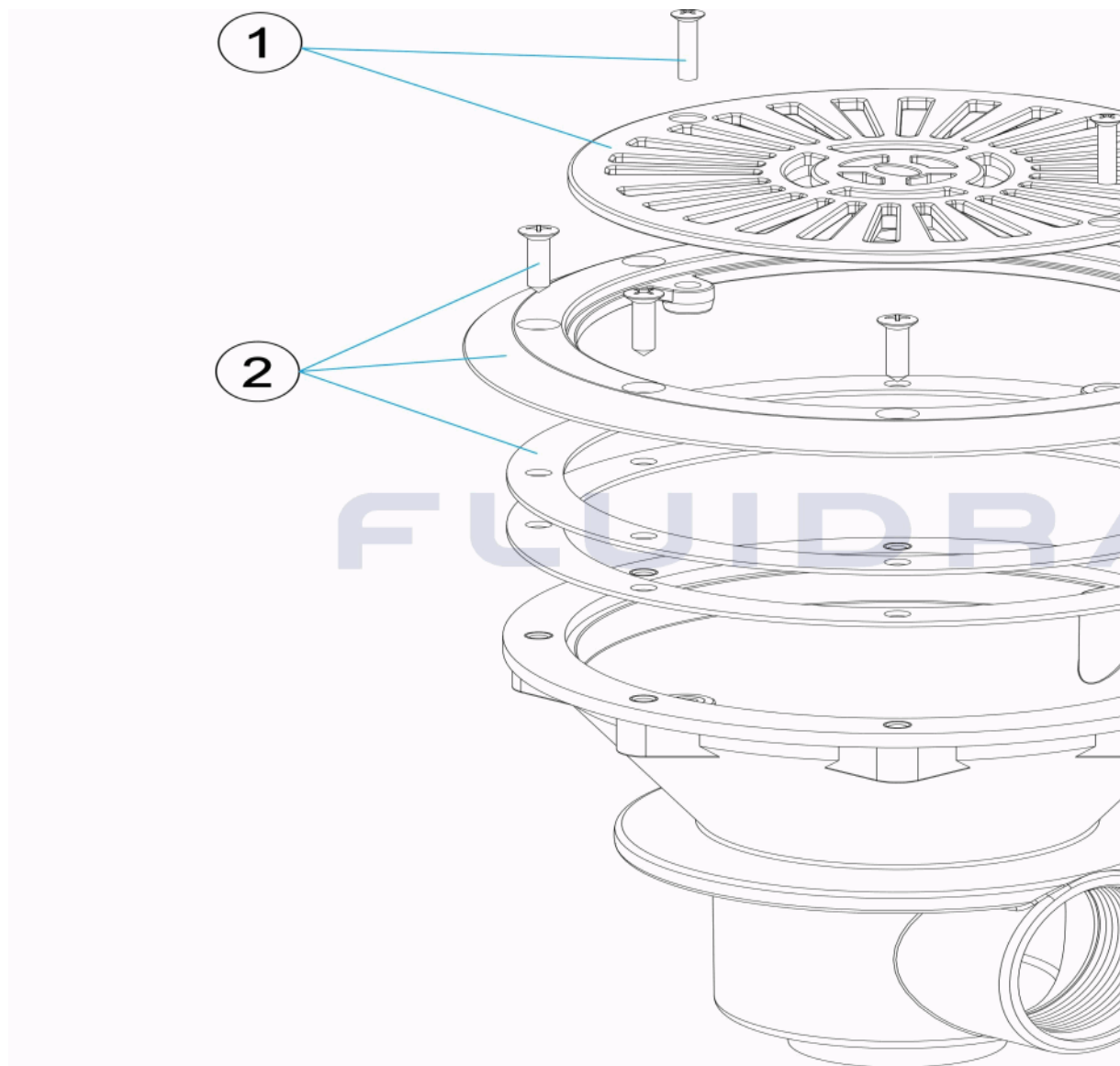
DESCRIPCION: SUMIDERO D. 210 PP S. LAT 2" BS "

OBSERVACIONES

POS	CODIGO	OBSERVACIONES
1	* 4402021102	PARA: 00271 BLANCO / WHITE
1	* 4402020029	PARA: 00271CL090 BEIGE
1	* 4402010122	PARA: 00271CL129 GRIS / GREY
1	* 4402020026	PARA: 00271CL144 ANTRACITA / ANTHRACITE
2	* 4402021101	PARA: 00271 BLANCO / WHITE
2	* 4402020030	PARA: 00271CL090 BEIGE
2	* 4402010123	PARA: 00271CL129 GRIS / GREY
2	* 4402020027	PARA: 00271CL144 ANTRACITA / ANTHRACITE

CODE **00271, 00271CL090, 00271CL129, 00271CL144**

DESCRIPTION: **BONDE D. 210 PP S. LAT 2" BS "**



FRANCAIS

POS	CODE	DESCRIPTION	QUANTITE	POS	CODE	DESCRIPTION	QUANTITE
1	* 4402021102	GRILLE BONDE DE FOND 2' P. LINER		2	* 4402021101	BRIDE BONDE DE FOND 2'	
1	* 4402020029	GRILLE BONDE DE FOND 2' P. LINER		2	* 4402020030	BRIDE BONDE DE FOND 2'	
1	* 4402010122	GRILLE BONDE DE FOND 2' P. LINER		2	* 4402010123	BRIDE BONDE DE FOND 2'	
1	* 4402020026	GRILLE BONDE DE FOND 2' P. LINER		2	* 4402020027	BRIDE BONDE DE FOND 2'	

CODE **00271, 00271CL090, 00271CL129, 00271CL144**

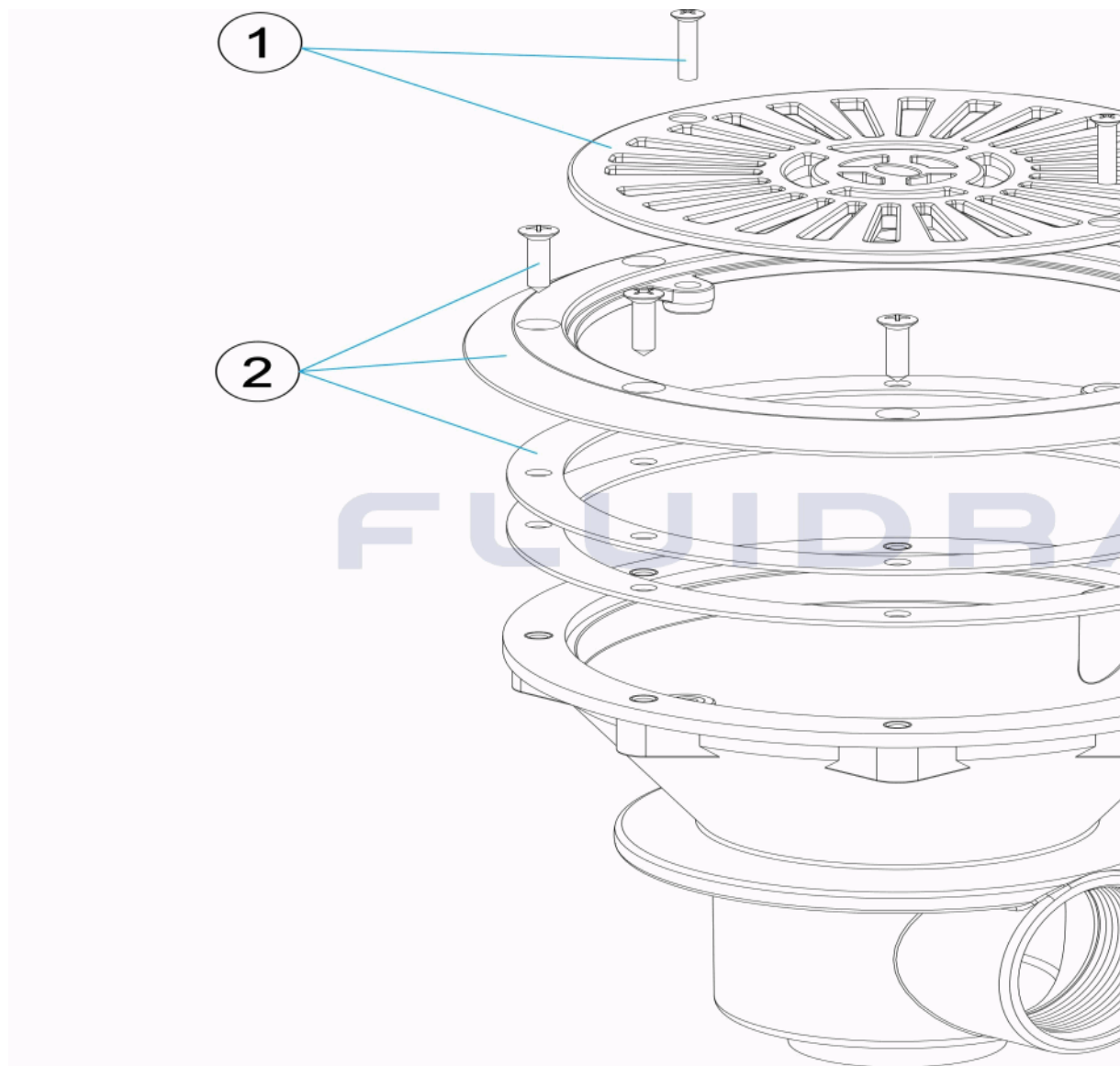
DESCRIPTION: **BONDE D. 210 PP S. LAT 2" BS "**

OBSERVATIONS

POS	CODE	OBSERVATIONS
1	* 4402021102	POUR: 00271 BLANCO / WHITE
1	* 4402020029	POUR: 00271CL090 BEIGE
1	* 4402010122	POUR: 00271CL129 GRIS / GREY
1	* 4402020026	POUR: 00271CL144 ANTRACITA / ANTHRACITE
2	* 4402021101	POUR: 00271 BLANCO / WHITE
2	* 4402020030	POUR: 00271CL090 BEIGE
2	* 4402010123	POUR: 00271CL129 GRIS / GREY
2	* 4402020027	POUR: 00271CL144 ANTRACITA / ANTHRACITE

CODE 00271, 00271CL090, 00271CL129, 00271CL144

DESCRIPTION: DRAIN D.210 PP S. SIDE OUTLET 2" BS "



ENGLISH

POS	CODE	DESCRIPTION	QUANTITY	POS	CODE	DESCRIPTION	QUANTITY
1	* 4402021102	2' DRAIN GRILLE LINER		2	* 4402021101	2' DRAIN FLANGE	
1	* 4402020029	2' DRAIN GRILLE LINER		2	* 4402020030	2' DRAIN FLANGE	
1	* 4402010122	2' DRAIN GRILLE LINER		2	* 4402010123	2' DRAIN FLANGE	
1	* 4402020026	2' DRAIN GRILLE LINER		2	* 4402020027	2' DRAIN FLANGE	

CODE **00271, 00271CL090, 00271CL129, 00271CL144**

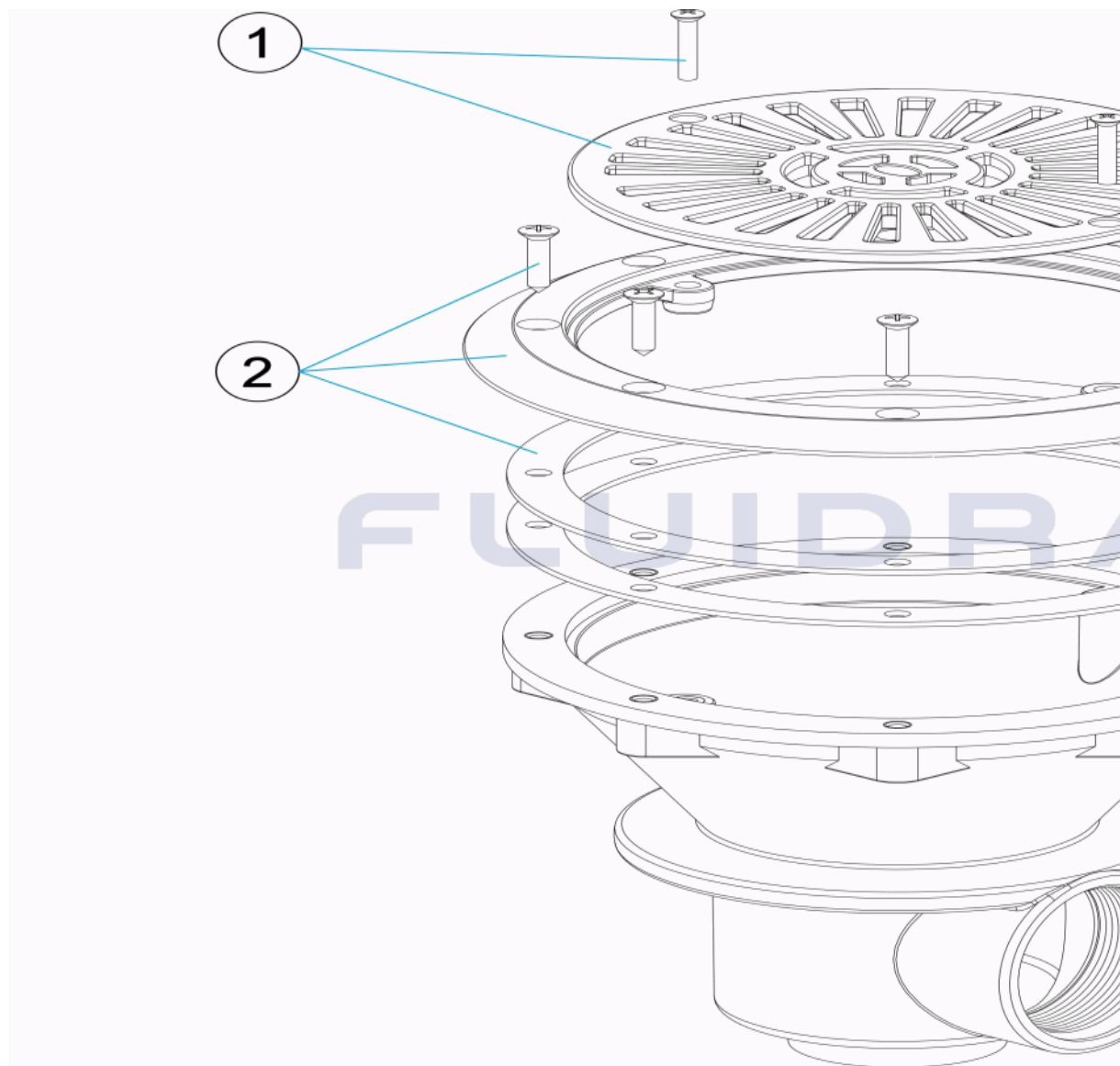
DESCRIPTION: **DRAIN D.210 PP S. SIDE OUTLET 2" BS "**

OBSERVATIONS

POS	CODE	OBSERVATIONS
1	* 4402021102	FOR: 00271 BLANCO / WHITE
1	* 4402020029	FOR: 00271CL090 BEIGE
1	* 4402010122	FOR: 00271CL129 GRIS / GREY
1	* 4402020026	FOR: 00271CL144 ANTRACITA / ANTHRACITE
2	* 4402021101	FOR: 00271 BLANCO / WHITE
2	* 4402020030	FOR: 00271CL090 BEIGE
2	* 4402010123	FOR: 00271CL129 GRIS / GREY
2	* 4402020027	FOR: 00271CL144 ANTRACITA / ANTHRACITE

CODICE **00271, 00271CL090, 00271CL129, 00271CL144**

DESCRIZIONE: **SCOLATOIO D. 210 PP USC. LAT. 2" BS "**



ITALIANO

POS	CODICE	DESCRIZIONE	QUANTITA'	POS	CODICE	DESCRIZIONE	QUANTITA'
1	* 4402021102	GRIGLIA 2' P.PREF		2	* 4402021101	FLANGIA 2'	
1	* 4402020029	GRIGLIA 2' P.PREF		2	* 4402020030	FLANGIA 2'	
1	* 4402010122	GRIGLIA 2' P.PREF		2	* 4402010123	FLANGIA 2'	
1	* 4402020026	GRIGLIA 2' P.PREF		2	* 4402020027	FLANGIA 2'	

CODICE 00271, 00271CL090, 00271CL129, 00271CL144

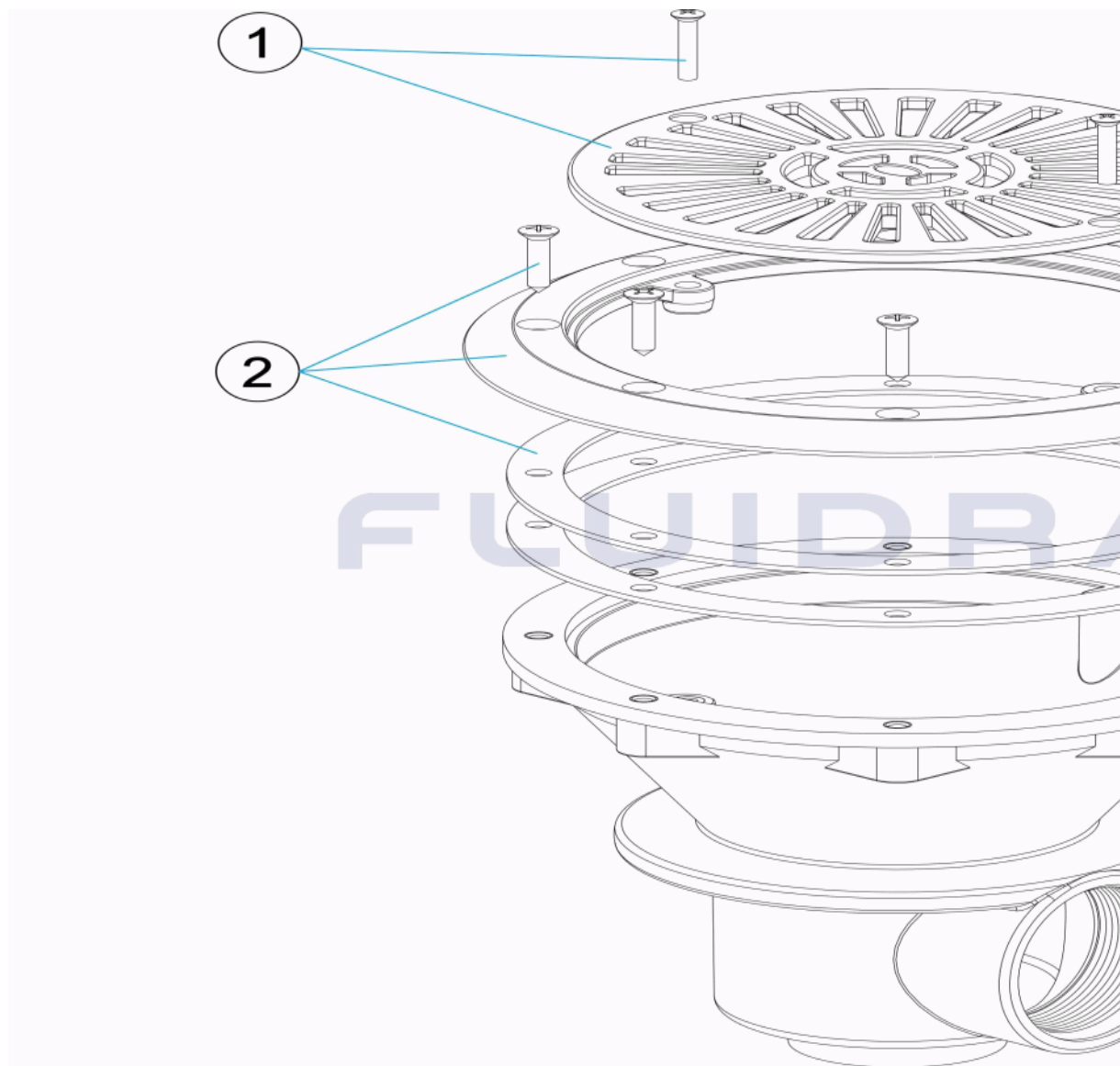
DESCRIZIONE: SCOLATOIO D. 210 PP USC. LAT. 2" BS "

OSSERVAZIONI

POS	CODICE	OSSERVAZIONI
1	* 4402021102	PER: 00271 BLANCO / WHITE
1	* 4402020029	PER: 00271CL090 BEIGE
1	* 4402010122	PER: 00271CL129 GRIS / GREY
1	* 4402020026	PER: 00271CL144 ANTRACITA / ANTHRACITE
2	* 4402021101	PER: 00271 BLANCO / WHITE
2	* 4402020030	PER: 00271CL090 BEIGE
2	* 4402010123	PER: 00271CL129 GRIS / GREY
2	* 4402020027	PER: 00271CL144 ANTRACITA / ANTHRACITE

CODE **00271, 00271CL090, 00271CL129, 00271CL144**

BESCHREIBUNG: **ABFLUSS D. 210 PP S. LAT 2" BS "**



DEUTSCH

POS	CODE	BESCHREIBUNG	MENGE	POS	CODE	BESCHREIBUNG	MENGE
1	* 4402021102	ABFLUSSGITTER 2' FERTIGBECKEN		2	* 4402021101	RING ABFLUSS 2'	
1	* 4402020029	ABFLUSSGITTER 2' FERTIGBECKEN		2	* 4402020030	RING ABFLUSS 2'	
1	* 4402010122	ABFLUSSGITTER 2' FERTIGBECKEN		2	* 4402010123	RING ABFLUSS 2'	
1	* 4402020026	ABFLUSSGITTER 2' FERTIGBECKEN		2	* 4402020027	RING ABFLUSS 2'	

CODE **00271, 00271CL090, 00271CL129, 00271CL144**

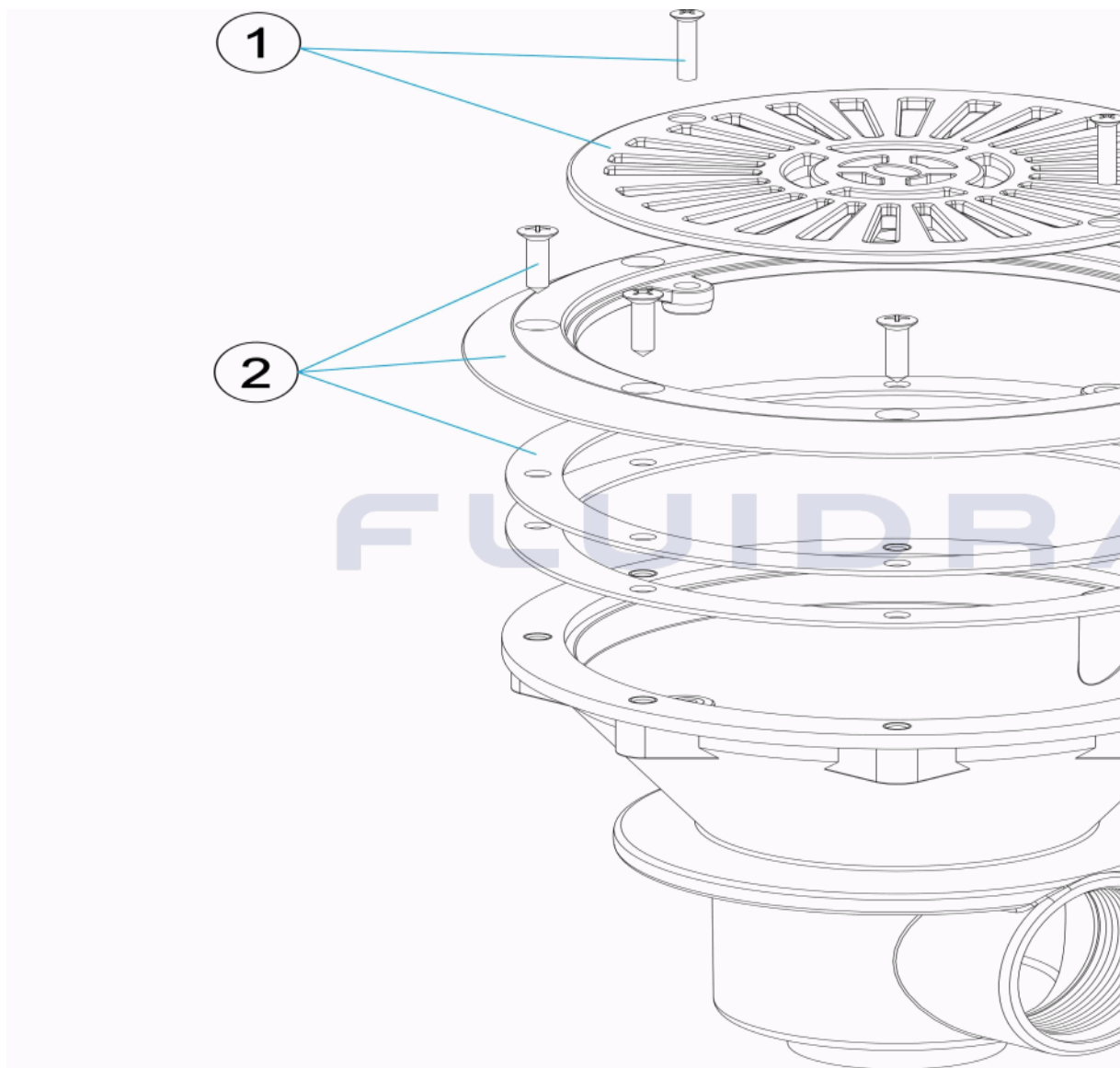
BESCHREIBUNG: **ABFLUSS D. 210 PP S. LAT 2" BS "**

HINWEISE

POS	CODE	HINWEISE
1	* 4402021102	FÜR: 00271 BLANCO / WHITE
1	* 4402020029	FÜR: 00271CL090 BEIGE
1	* 4402010122	FÜR: 00271CL129 GRIS / GREY
1	* 4402020026	FÜR: 00271CL144 ANTRACITA / ANTHRACITE
2	* 4402021101	FÜR: 00271 BLANCO / WHITE
2	* 4402020030	FÜR: 00271CL090 BEIGE
2	* 4402010123	FÜR: 00271CL129 GRIS / GREY
2	* 4402020027	FÜR: 00271CL144 ANTRACITA / ANTHRACITE

CODIGO 00271, 00271CL090, 00271CL129, 00271CL144

DESCRIÇÃO: ESGOTO D. 210 PP S. LAT 2" BS "



PORTUGUES

POS	CODIGO	DESCRIÇÃO	JANTIDADE	POS	CODIGO	DESCRIÇÃO	JANTIDADE
1	* 4402021102	GRELHA RALO DE FUNDO 2' P.PREF		2	* 4402021101	ARO RALO DE FUNDO 2'	
1	* 4402020029	GRELHA RALO DE FUNDO 2' P.PREF		2	* 4402020030	ARO RALO DE FUNDO 2'	
1	* 4402010122	GRELHA RALO DE FUNDO 2' P.PREF		2	* 4402010123	ARO RALO DE FUNDO 2'	
1	* 4402020026	GRELHA RALO DE FUNDO 2' P.PREF		2	* 4402020027	ARO RALO DE FUNDO 2'	

CODIGO **00271, 00271CL090, 00271CL129, 00271CL144**

DESCRIÇÃO: **ESGOTO D. 210 PP S. LAT 2" BS "**

OBSERVAÇÕES

POS	CODIGO	OBSERVAÇÕES
1	* 4402021102	PARA: 00271 BLANCO / WHITE
1	* 4402020029	PARA: 00271CL090 BEIGE
1	* 4402010122	PARA: 00271CL129 GRIS / GREY
1	* 4402020026	PARA: 00271CL144 ANTRACITA / ANTHRACITE
2	* 4402021101	PARA: 00271 BLANCO / WHITE
2	* 4402020030	PARA: 00271CL090 BEIGE
2	* 4402010123	PARA: 00271CL129 GRIS / GREY
2	* 4402020027	PARA: 00271CL144 ANTRACITA / ANTHRACITE