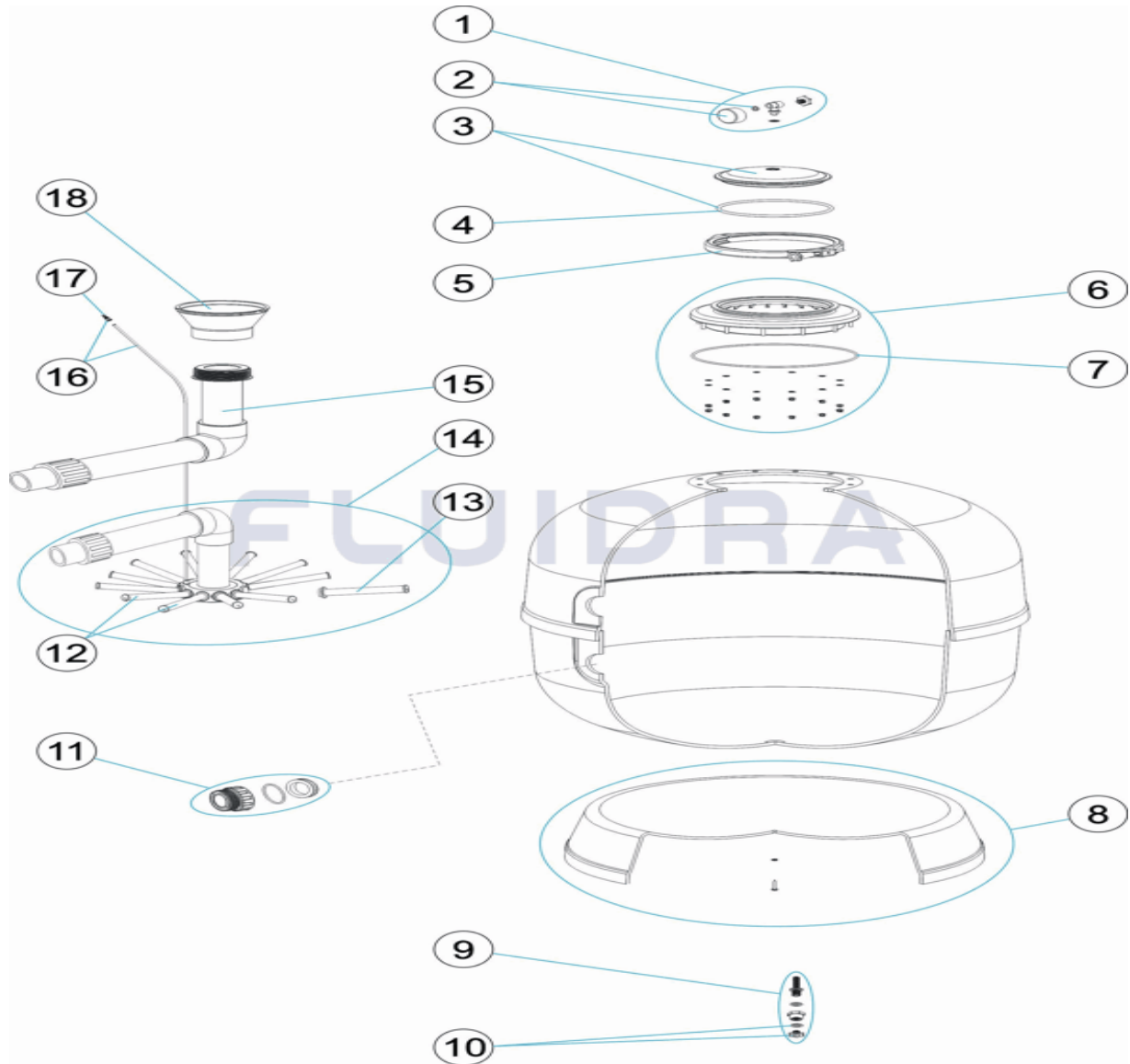


CODIGO **BWS750, BWS900**
 DESCRIPCION: **FILTRO HAWAII D. 750-900**



ESPAÑOL

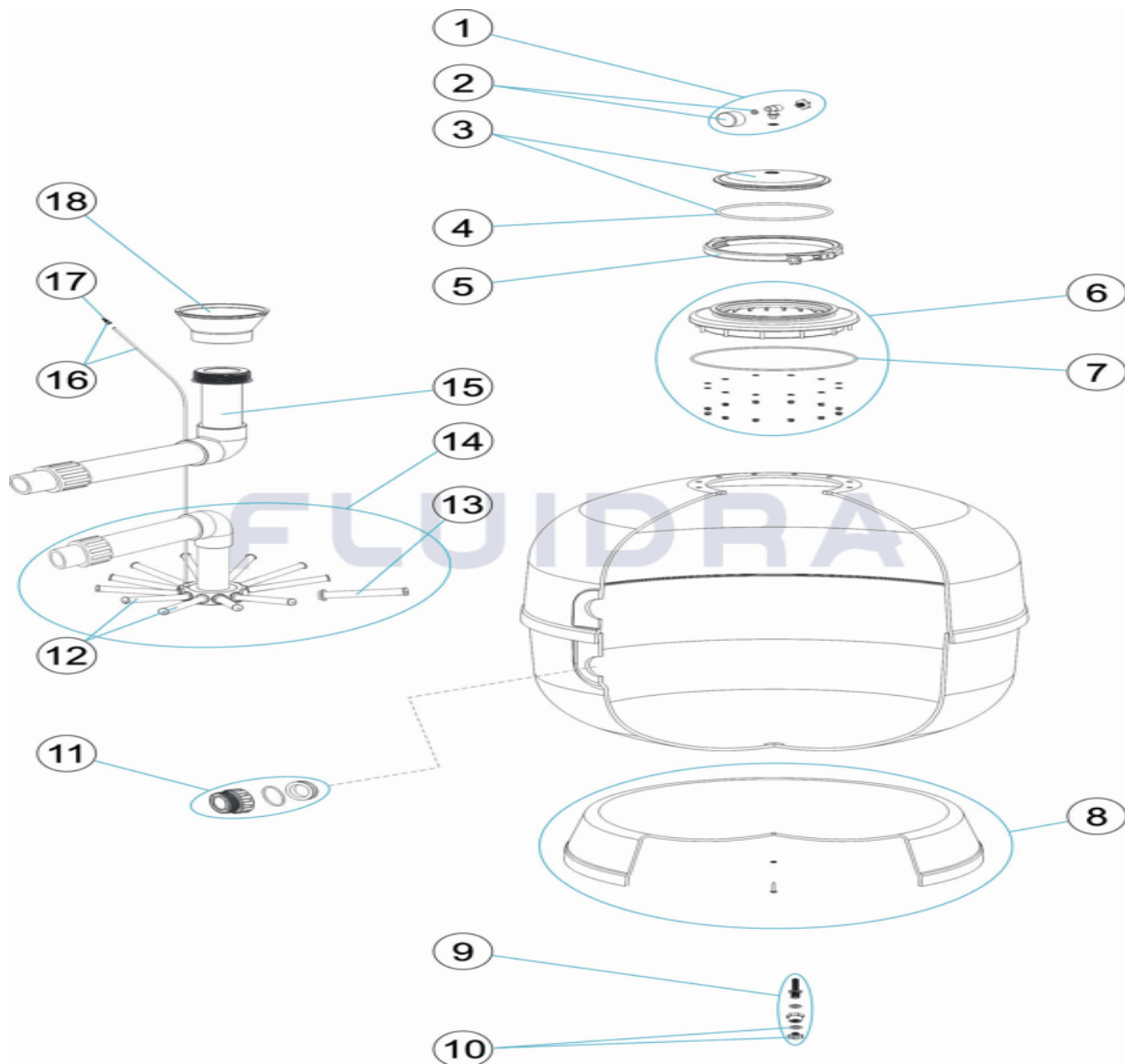
POS	CODIGO	DESCRIPCION	CANTIDAD	POS	CODIGO	DESCRIPCION	CANTIDAD
1	CE04180404	MANOMETRO COMPLETO		12	* CE04010028	CJTO. BRAZOS COLECTOR D. 650	
2	CE04180405	MANOMETRO 1/8" 3 KG/C "		12	* CE04010048	CJTO. BRAZOS COLECTOR D. 750	
3	CE04080102	TAPA TRANSPARENTE + ANILLO		13	* CE04300916	BRAZO COLECTOR 1" 225 M "	
4	CE04080101	JUNTA TORICA TAPA		13	* CE04290109	BRAZO COLECTOR 1" 265 M "	
5	CE04040000	CJTO. ZUNCHO		14	* CE04010333	CJTO. COLECTOR D. 750	
6	CE05040405	CJTO. ARO CUELLO		14	* CE04010334	CJTO. COLECTOR D. 900	
7	CE04020116	JUNTA TORICA 255X4		15	* CE04010335	CJTO. DIFUSOR D. 750	
8	* CE04010167	PIE FILTRO D. 750		15	* CE04010342	CJTO. DIFUSOR D. 900	
8	* CE04010332	PIE FILTRO D. 900		16	CE04301003	PURGA AIRE + TUBO L=670	
9	CE04010108	PURGA AGUA 3/8"		17	CE04040108	PURGA AIRE	
10	CE04040113	TAPON PURGA Y JUNTA		18	CE04300910	CONO DIFUSOR D. 63	
11	CE04020032	RACORD 2" + JUNTA CONCAV					

CODIGO **BWS750, BWS900**DESCRIPCION: **FILTRO HAWAII D. 750-900**

OBSERVACIONES

POS	CODIGO	OBSERVACIONES
8	* CE04010167	PARA: BWS750
8	* CE04010332	PARA: BWS900
12	* CE04010028	PARA: BWS750
12	* CE04010048	PARA: BWS900
13	* CE04300916	PARA: BWS750
13	* CE04290109	PARA: BWS900
14	* CE04010333	PARA: BWS750
14	* CE04010334	PARA: BWS900
15	* CE04010335	PARA: BWS750
15	* CE04010342	PARA: BWS900

CODE **BWS750, BWS900**

 DESCRIPTION: **FILTRE HAWAII D. 750-900**

FRANCAIS

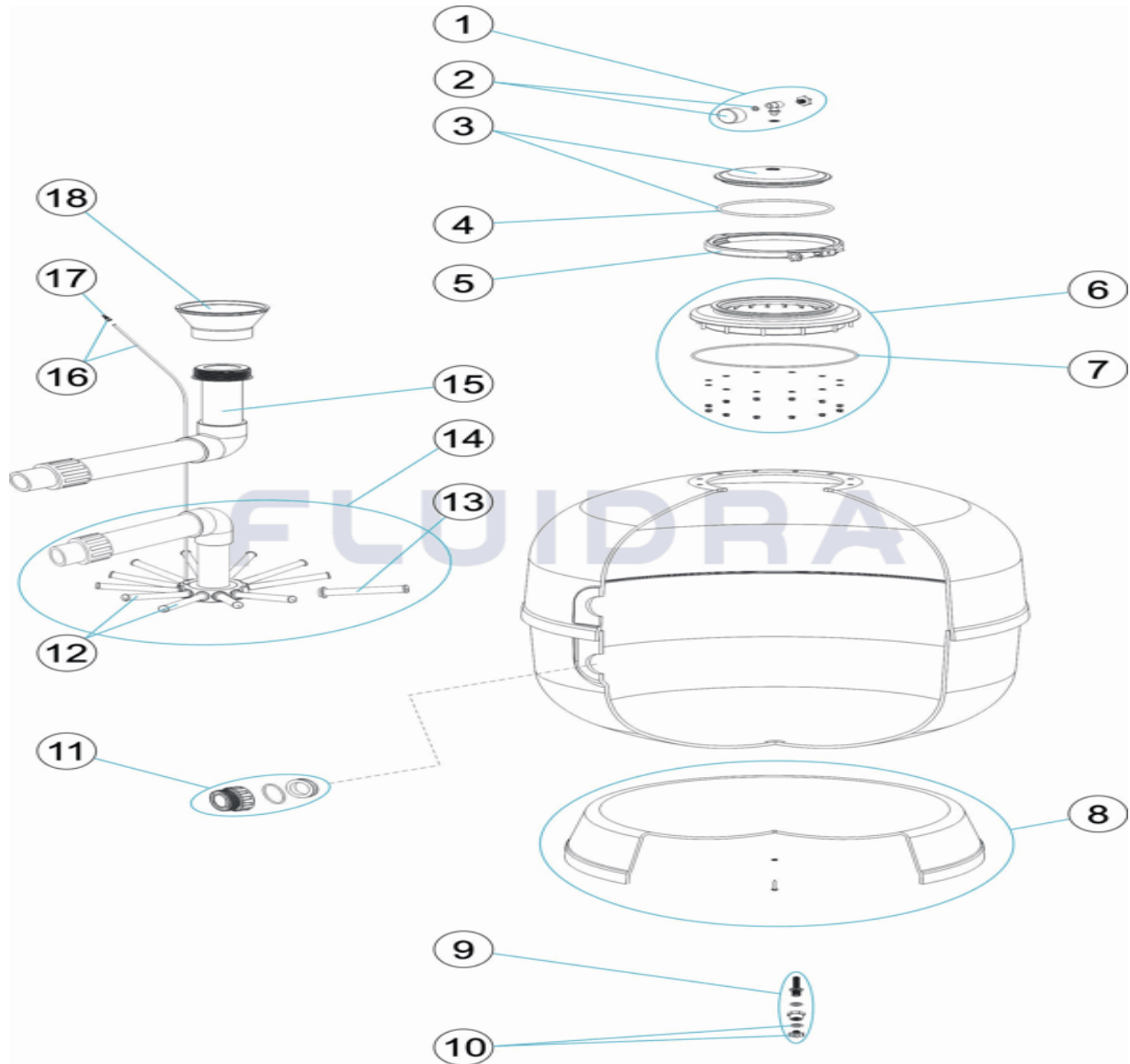
POS	CODE	DESCRIPTION	QUANTITE	POS	CODE	DESCRIPTION	QUANTITE
1	CE04180404	MANOMETRE COMPLET		12	* CE04010028	ENSEMBLE BRAS DE REPARTITEUR D. 650	
2	CE04180405	MANOMETRE 1/8" 3 KG./C "		12	* CE04010048	ENSEMBLE BRAS DE REPARTITEUR D. 750	
3	CE04080102	COUVERCLE TRANSPARENT + JOINT		13	* CE04300916	BRAS DE REPARTITEUR 1" 225 M "	
4	CE04080101	JOINT TORIQUE COUVERCLE		13	* CE04290109	BRAS DE REPARTITEUR 1" 265 M/M "	
5	CE04040000	ENS. COLLIER		14	* CE04010333	ENSEMBLE COLLECTEUR D. 750	
6	CE05040405	ENSEMBLE " BAGUE JOIN "		14	* CE04010334	ENSEMBLE COLLECTEUR D. 900	
7	CE04020116	JOINT TORIQUE 255X4		15	* CE04010335	ENSEMBLE DIFFUSEUR D. 750	
8	* CE04010167	SOCLE FILTRE D. 750		15	* CE04010342	ENSEMBLE DIFFUSEUR D. 900	
8	* CE04010332	SOCLE FILTRE D. 900		16	CE04301003	PURGE AIR + TUBE L=670	
9	CE04010108	PURGE D'EAU 3/8"		17	CE04040108	PURGE D'AIR	
10	CE04040113	BOUCHON PURGE ET JOINT		18	CE04300910	DIFUSOR CONIQUE SUPERIOR D. 63	
11	CE04020032	RACCORD 2" + JOINT CONCAV "					

CODE **BWS750, BWS900**DESCRIPTION: **FILTRE HAWAII D. 750-900**

OBSERVATIONS

POS	CODE	OBSERVATIONS
8	* CE04010167	POUR: BWS750
8	* CE04010332	POUR: BWS900
12	* CE04010028	POUR: BWS750
12	* CE04010048	POUR: BWS900
13	* CE04300916	POUR: BWS750
13	* CE04290109	POUR: BWS900
14	* CE04010333	POUR: BWS750
14	* CE04010334	POUR: BWS900
15	* CE04010335	POUR: BWS750
15	* CE04010342	POUR: BWS900

CODE **BWS750, BWS900**
DESCRIPTION: **HAWAII FILTER D. 750-900**



ENGLISH

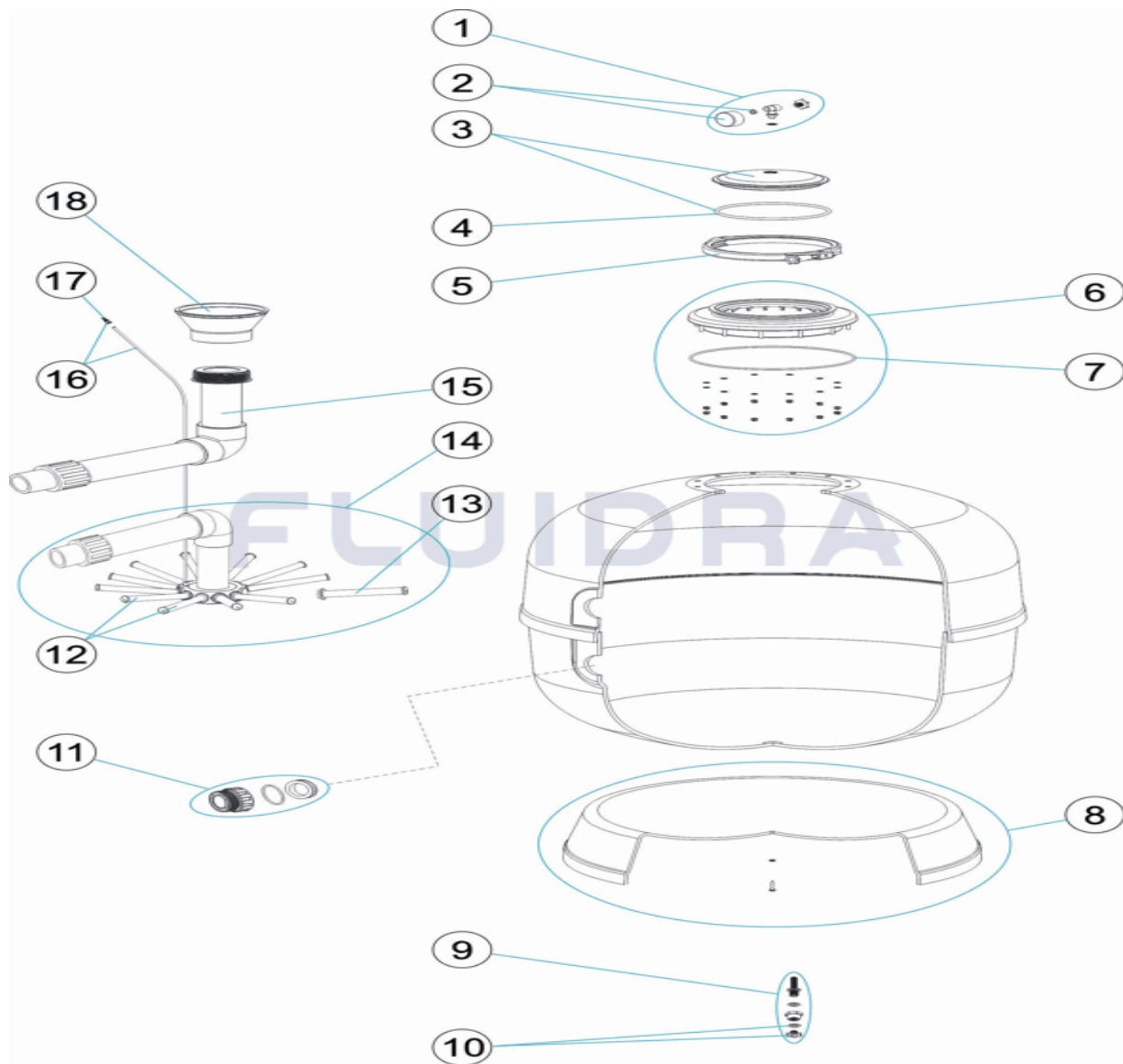
POS	CODE	DESCRIPTION	QUANTITY	POS	CODE	DESCRIPTION	QUANTITY
1	CE04180404	COMPLETE PRESSURE GAUGE UNIT		12	* CE04010028	MANIFOLD ARM ASSEMBLY D. 650	
2	CE04180405	PRESSURE GAUGE 1/8" 3 KG./C "		12	* CE04010048	MANIFOLD ARM ASSEMBLY D. 750	
3	CE04080102	TRANSPARENT LID + GASKET		13	* CE04300916	MANIFOLD ARM 1" 225 M "	
4	CE04080101	LID 'O' RING		13	* CE04290109	COLLECTOR ARM 1" 265 M "	
5	CE04040000	SET BAND		14	* CE04010333	MANIFOLD ASSEMBLY D. 750	
6	CE05040405	SET FILTER RING		14	* CE04010334	MANIFOLD ASSEMBLY D. 900	
7	CE04020116	O' RING 255X4		15	* CE04010335	DIFFUSER ASSEMBLY D. 750	
8	* CE04010167	FILTER BASE D. 750		15	* CE04010342	DIFFUSER ASSEMBLY D. 900	
8	* CE04010332	FILTER BASE D. 900		16	CE04301003	AIR PURGE + PIPE L=670	
9	CE04010108	WATER PURGE 3/8"		17	CE04040108	AIR PURGE	
10	CE04040113	DRAIN PLUG AND GASKET		18	CE04300910	DIFFUSER CONE D. 63	
11	CE04020032	2" FITTING + CONCAVE GASKE "					

CODE **BWS750, BWS900**DESCRIPTION: **HAWAII FILTER D. 750-900**

OBSERVATIONS

POS	CODE	OBSERVATIONS
8	* CE04010167	FOR: BWS750
8	* CE04010332	FOR: BWS900
12	* CE04010028	FOR: BWS750
12	* CE04010048	FOR: BWS900
13	* CE04300916	FOR: BWS750
13	* CE04290109	FOR: BWS900
14	* CE04010333	FOR: BWS750
14	* CE04010334	FOR: BWS900
15	* CE04010335	FOR: BWS750
15	* CE04010342	FOR: BWS900

CODICE **BWS750, BWS900**

 DESCRIZIONE: **FILTRO HAWAII D. 750-900**

ITALIANO

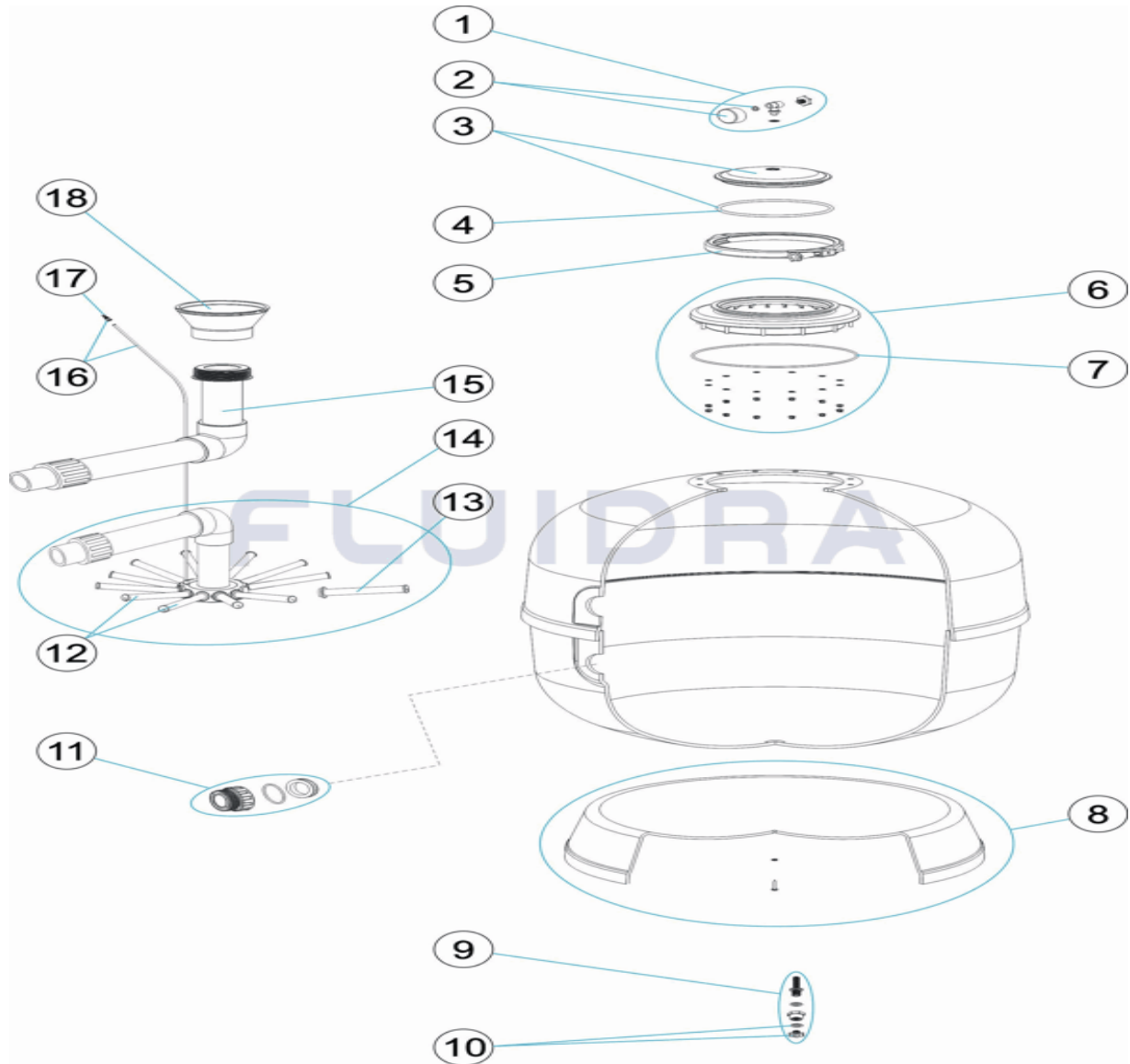
POS	CODICE	DESCRIZIONE	QUANTITA'	POS	CODICE	DESCRIZIONE	QUANTITA'
1	CE04180404	MANOMETRO COMPLETO		12	* CE04010028	GRUPPO CANDELOTTO COLLECTORE D. 6	
2	CE04180405	MANOMETRO 1/8" 3 KG./C "		12	* CE04010048	GRUPPO CANDELOTTO COLLECTORE D. 7	
3	CE04080102	COPERCHIO TRASPARENTE + ANELLO		13	* CE04300916	CANDELOTTO COLLECTORE 1" 225 M "	
4	CE04080101	O-RING COPERCHIO		13	* CE04290109	CANDELOTTO 1" 265 M/M "	
5	CE04040000	GRUPPO FASCETTA		14	* CE04010333	KIT COLLETTORE D. 750	
6	CE05040405	KIT FLANGIA COPERCHIO		14	* CE04010334	KIT COLLETTORE D. 900	
7	CE04020116	O-RING 255X4		15	* CE04010335	RACCORDO DIFFUSORE D. 750	
8	* CE04010167	BASE FILTRO D. 750		15	* CE04010342	RACCORDO DIFFUSORE D. 900	
8	* CE04010332	BASE FILTRO D. 900		16	CE04301003	SPURGO ARIA + TUBO L=670	
9	CE04010108	SCARICO ACQUA 3/8"		17	CE04040108	SFIATO ARIA	
10	CE04040113	TAPPO SPURGO E GUARNIZIONE		18	CE04300910	CONO DIFFUSORE D. 63	
11	CE04020032	RACCORDO 2" + GUAR. CONCAV "					

CODICE **BWS750, BWS900**DESCRIZIONE: **FILTRO HAWAII D. 750-900**

OSSERVAZIONI

POS	CODICE	OSSERVAZIONI
8	* CE04010167	PER: BWS750
8	* CE04010332	PER: BWS900
12	* CE04010028	PER: BWS750
12	* CE04010048	PER: BWS900
13	* CE04300916	PER: BWS750
13	* CE04290109	PER: BWS900
14	* CE04010333	PER: BWS750
14	* CE04010334	PER: BWS900
15	* CE04010335	PER: BWS750
15	* CE04010342	PER: BWS900

CODE **BWS750, BWS900**

 BESCHREIBUNG: **FILTER HAWAII D. 750-900**

DEUTSCH

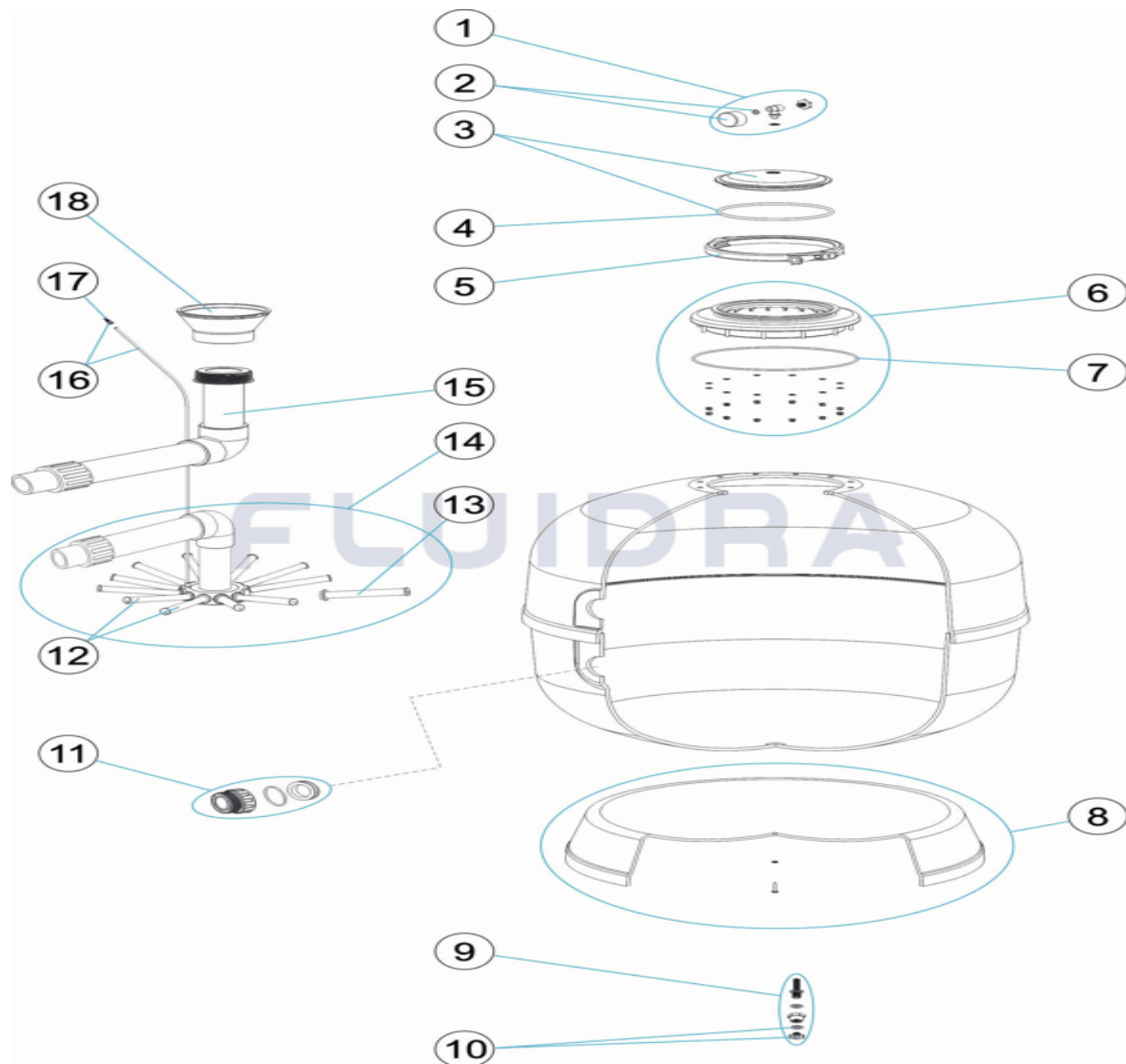
POS	CODE	BESCHREIBUNG	MENGE	POS	CODE	BESCHREIBUNG	MENGE
1	CE04180404	MANOMETER KOMPLETT		12	* CE04010028	SET FILTERSTERN-SCHLITZROHR D. 650	
2	CE04180405	MANOMETER 1/8" 3 KG/C "		12	* CE04010048	SET FILTERSTERN-SCHLITZROHR D. 750	
3	CE04080102	ABDECKUNG TRANSPARENT MIT RING		13	* CE04300916	FILTERSTERN-SCHLITZROHR 1" 225 M "	
4	CE04080101	O-RING ABDECKUNG		13	* CE04290109	FILTERSTERN-SCHLITZROHR 1" 265 M "	
5	CE04040000	SET EINSATZ		14	* CE04010333	SAMMELROHRSET D. 750	
6	CE05040405	SET FILTERRING		14	* CE04010334	SAMMELROHRSET D. 900	
7	CE04020116	O-RING 255 X 4		15	* CE04010335	SET WASSERVERTEILER D. 750	
8	* CE04010167	FILTERFUSS D. 750		15	* CE04010342	SET WASSERVERTEILER D. 900	
8	* CE04010332	FILTERFUSS D. 900		16	CE04301003	ENTLÜFTUNG UND ROHR L=670	
9	CE04010108	WASSERABLAß 3/8"		17	CE04040108	ENTLÜFTUNG	
10	CE04040113	ABLASSSTOPFEN UND DICHTUNG		18	CE04300910	KEGEL WASSERVERTEILER D. 63	
11	CE04020032	GEWINDESTÜCK 2" UND DICHTUNG KONK					

CODE **BWS750, BWS900**BESCHREIBUNG: **FILTER HAWAII D. 750-900**

HINWEISE

POS	CODE	HINWEISE
8	* CE04010167	FÜR: BWS750
8	* CE04010332	FÜR: BWS900
12	* CE04010028	FÜR: BWS750
12	* CE04010048	FÜR: BWS900
13	* CE04300916	FÜR: BWS750
13	* CE04290109	FÜR: BWS900
14	* CE04010333	FÜR: BWS750
14	* CE04010334	FÜR: BWS900
15	* CE04010335	FÜR: BWS750
15	* CE04010342	FÜR: BWS900

CODIGO **BWS750, BWS900**

 DESCRIÇÃO: **FILTRO HAWAII D. 750-900**


PORTUGUES

POS	CODIGO	DESCRIÇÃO	JANTIDADE	POS	CODIGO	DESCRIÇÃO	JANTIDADE
1	CE04180404	MANÓMETRO COMPLETO		12	* CE04010028	CJTO. BRAÇO COLECTOR D.650	
2	CE04180405	MANOMETRO 1/8" 3 KG./C "		12	* CE04010048	CJTO. BRAÇO COLECTOR D. 750	
3	CE04080102	TAMPA TRANSPARENTE + ARO		13	* CE04300916	BRAÇO COLECTOR 1" 225 M "	
4	CE04080101	JUNTA TÓRICA TAMPA		13	* CE04290109	BRAÇO COLECTOR 1" 265 M/M "	
5	CE04040000	CONJ.ANEL		14	* CE04010333	CJTO. COLECTOR D. 750	
6	CE05040405	CONJUNTO ARO PROLONGADOR		14	* CE04010334	CJTO. COLECTOR D. 900	
7	CE04020116	JUNTA TÓRICA 255X4		15	* CE04010335	CJTO. DIFUSOR D. 750	
8	* CE04010167	PÉ FILTRO D. 750		15	* CE04010342	CJTO. DIFUSOR D. 900	
8	* CE04010332	PÉ FILTRO D. 900		16	CE04301003	PURGA AR + TUBO L=670	
9	CE04010108	PURGA AGUA 3/8"		17	CE04040108	PURGA AREIA	
10	CE04040113	TAMPÃO PURGA E JUNTA		18	CE04300910	CONO DIFUSOR D. 63	
11	CE04020032	RACORD 2" + JUNTA CONCAV "					

CODIGO **BWS750, BWS900**DESCRIÇÃO: **FILTRO HAWAII D. 750-900****OBSERVACÕES**

POS	CODIGO	OBSERVACÕES
8	* CE04010167	PARA: BWS750
8	* CE04010332	PARA: BWS900
12	* CE04010028	PARA: BWS750
12	* CE04010048	PARA: BWS900
13	* CE04300916	PARA: BWS750
13	* CE04290109	PARA: BWS900
14	* CE04010333	PARA: BWS750
14	* CE04010334	PARA: BWS900
15	* CE04010335	PARA: BWS750
15	* CE04010342	PARA: BWS900