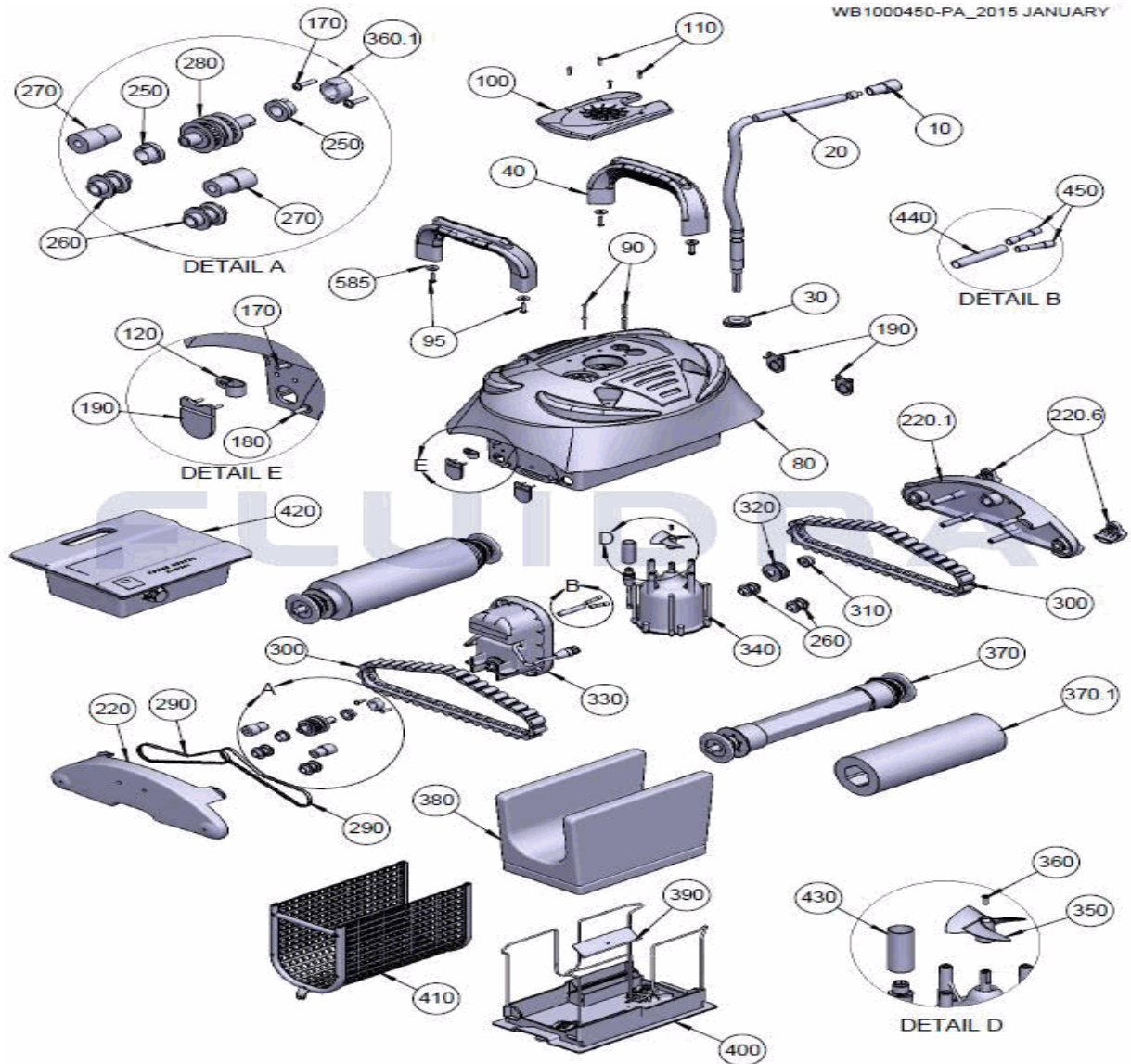


CODE **66019**

 BESCHREIBUNG: **BODENREINIGER CTX TYPHOON 4**

REFH-SUM0-TY413 (2016)



## DEUTSCH

POS	CODE	BESCHREIBUNG	MENGE	POS	CODE	BESCHREIBUNG	MENGE
10	PL00002M	STECKDOSE 4 ANSCHLÜSSE		250	2613	WÄLZLAGER ACHSEN	
20	WA00116CGL	SCHWIMMERKABEL CG/16M/2C		260	3500	ROLLE KLEIN	
40	AS1041000	GRIFF GEHÄUSE SUMSUM GELB		270	3506	SPANNER ZUGRIEMEN	
80	AS1006900A	GERÄTEGEHÄUSE		280	A3605	SET ANTRIEBSSCHEIBE	
90	2500	SCHRAUBE FÜR PUMPENMOTOR		290	3302	ZUGRIEMEN	
95	HW0003100	SCHRAUBE FÜR GRIFF		300	3201G	KETTENLEINE	
100	PP00042BL	OBERER ABZUG		310	2610	UNTERLEGSCHLEIBE MITTIG	
110	5061	SCHRAUBE ABDECKUNG OBEN		320	3700	ROLLE GROSS	
120	HW0006700	BEFESTIGUNG KABEL		330	AS08716-SP	ZUGMOTOR	
170	2700	SCHRAUBE OBEN SEITLICH		340	AS00035R-SP	PUMP MOTOR	
180	2701	SCHRAUBE UNTEN SEITLICH		350	P00038	ANTRIEBSSCHRAUBE	
190	2305N	GUMMIVENTIL		360	SW00069	SCHRAUBE FÜR ANTRIEBSSCHRAUBE	
220	AS1062300	SEITLICHER DECKEL		360,1	PP0004500	ABDECKUNG STIFT	

CODE                    **66019**

BESCHREIBUNG: **BODENREINIGER CTX TYPHOON 4**

**REFH-SUM0-TY413 (2016)**

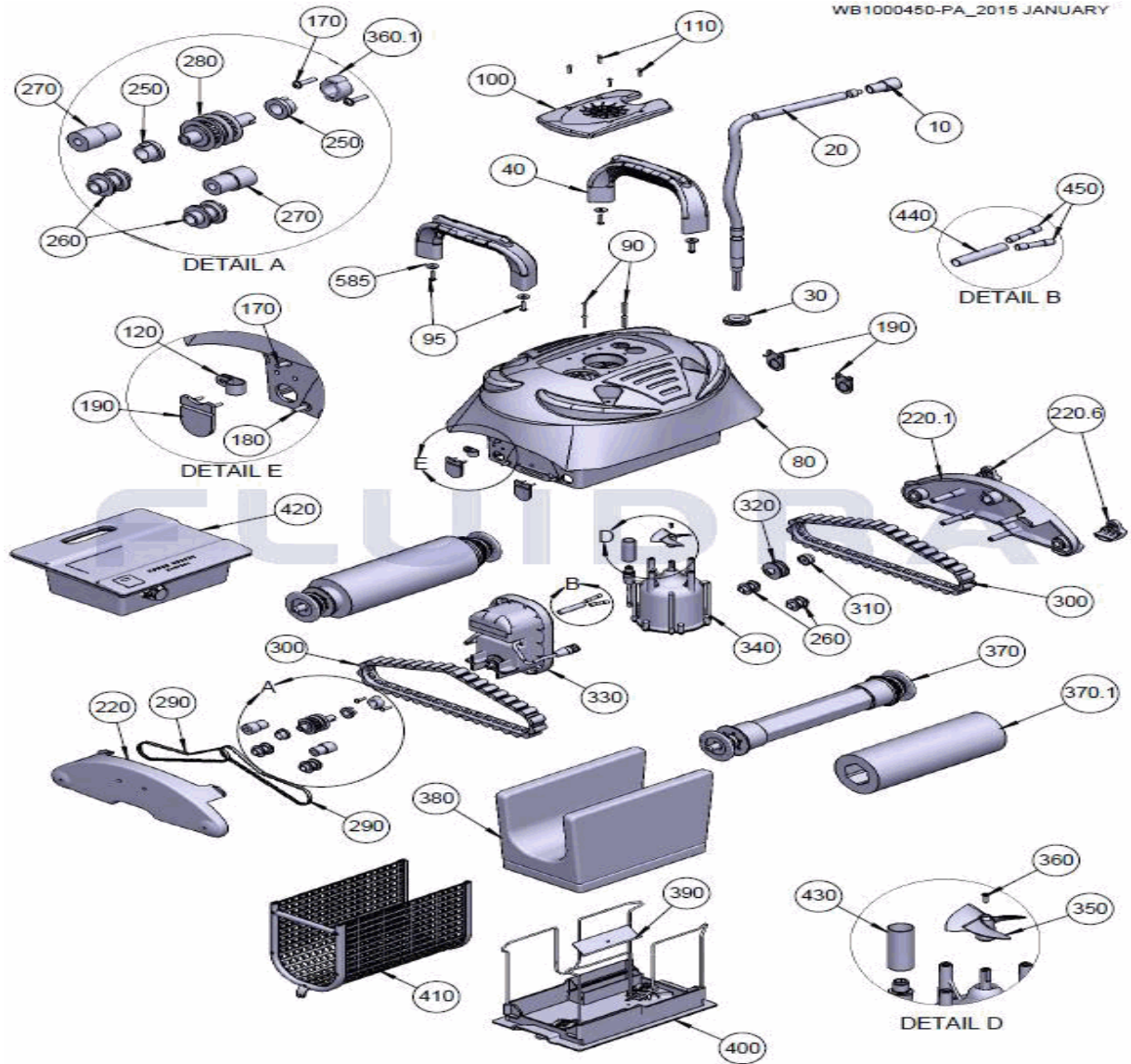
220,1	AS10623B1	SEITENABDECKUNG SUMSUM	370	AS38246CG	SCHLEPPROLLE
220,6	PP00213GY	DÜBEL SEITENDECKEL	370,1	PP03009GY	BÜRSTE PVA
380	8100S	FILTERBEUTEL	450	5473	VERBINDUNGSSTÜCK ROT
390	9305B-NT	VENTIL KUNSTSTOFF SCHLISSVORRICH	585	WS00001	FLACHER REINIGER M6 DIN 9021
400	BS6100200	SET ABDECKUNG UNTEN	shown	4613	STIFT MIT SCHLITZ
410	AS09237	SET GITTERFILTER	shown	AS8007010-SP	SCHWIMMERSET
420	AS2722402-SP	TRAFO BASIC 180 W GRAU	shown	PP0005000	SCHWIMMTEIL MOTOR
430	AS110162506	EINLAUFROHR 20/6 (60MM)	shown	XW3000100	DICHTMASSE
440	AS110011010	ROHR 16/4 WCSM			

CODE **66019**

DESCRIPTION: **POOL CLEANER CTX TYPHOON 4**

REFH-SUM0-TY413 (2016)

WB 1000450-PA\_2015 JANUARY



**ENGLISH**

POS	CODE	DESCRIPTION	QUANTITY	POS	CODE	DESCRIPTION	QUANTITY
10	PL00002M	4 PIN PLUG		250	2613	MOLYBDENUM BUSHING	
20	WA00116CGL	FLOAT CABLE ASSY CG/16M/2C		260	3500	SMALL ROLLER	
40	AS1041000	S/A HANDLE SUMSUM YELLOW		270	3506	SLEEVE ROLLER	
80	AS1006900A	BODY ASSY		280	A3605	PULLEY ASSY	
90	2500	SCREW 8X1,175 PH PN		290	3302	DRIVE BELT	
95	HW0003100	SCREW#12*3/4" DIN7981STS "		300	3201G	DRIVE TRACK	
100	PP00042BL	OUTLET TOP		310	2610	BUSHING FOR LOWER CASING	
110	5061	SCREW 6-32X5/8 S/S PH PA		320	3700	LARGE ROLLER	
120	HW0006700	CABLE RETAINER SOPHIA		330	AS08716-SP	SP D. MOTOR	
170	2700	SCREW 8X11/16 PHIL PN		340	AS00035R-SP	PUMP MOTOR	
180	2701	SCREW 8X11/16PHIL PN		350	P00038	PROPELLER	
190	2305N	RUBBER VALVE		360	SW00069	SCRERW M-3X10 PHIL DIN-965	
220	AS1062300	SIDE PLATE ASSY		360,1	PP0004500	CASE FOR PIN	



# PARTS BREAKDOWN

REV.: 0  
DATE: 01/04/2016  
SHEET: 4/12

1073

CODE                    **66019**

DESCRIPTION: **POOL CLEANER CTX TYPHOON 4**

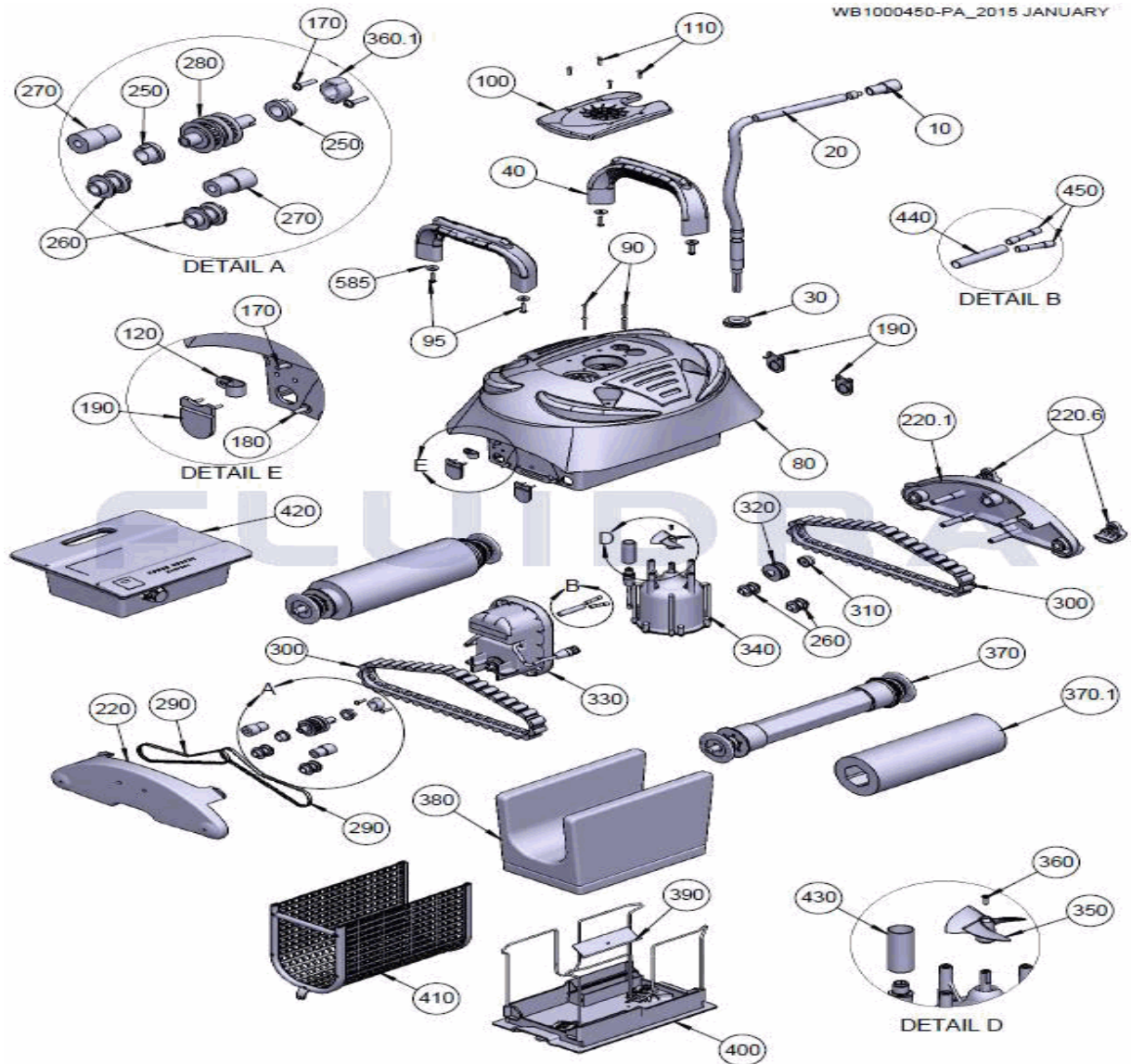
**REFH-SUM0-TY413 (2016)**

220.1	AS10623B1	SIDE COVER SUMSUM	370	AS38246CG	WHEEL TUBE ASSY.
220.6	PP00213GY	BUMPER FOR SIDE PLATE	370,1	PP03009GY	PVA BRUSH
380	8100S	FILTER BAG	450	5473	BUTT CONNECTOR
390	9305B-NT	BOTTOM LID VALVE	585	WS00001	PLAIN WASHER M6 DIN 9021
400	BS6100200	BOTTOM LID ASSY	shown	4613	GROOVE PIN 1/8X5/8 S/S
410	AS09237	FILTER SCREEN ASSY	shown	AS8007010-SP	KIT FOR FLOATIAN CELL
420	AS2722402-SP	SPS BASIC 180W GREY	shown	PP0005000	FLOAT FOR MOTOR
430	AS110162506	SHRINK TUBE 20/6 (60MM)	shown	XW3000100	SEALANT MASTIC
440	AS110011010	SHRINK TUBE 16/4 WCSM			

CODIGO **66019**

DESCRIPCION: LIMPIAFONDOS CTX TYPHOON 4

REFH-SUM0-TY413 (2016)



**ESPAÑOL**

POS	CODIGO	DESCRIPCION	CANTIDAD	POS	CODIGO	DESCRIPCION	CANTIDAD
10	PL00002M	ENCHUFE 4 TERMINALES		250	2613	RODAMIENTO DE EJES	
20	WA00116CGL	CABLE FLOTADOR CG/16M/2C		260	3500	RODILLO PEQUEÑO	
40	AS1041000	ASA CUERPO SUMSUM AMARILLO		270	3506	TENSOR CORREAS DE TRACCION	
80	AS1006900A	CUERPO LIMPIAFONDOS		280	A3605	CONJUNTO POLEA	
90	2500	TORNILLO PARA MOTOR BOMBA		290	3302	CORREA DE TRACCION	
95	HW0003100	TORNILLO PARA ASA		300	3201G	CORREA ORUGA	
100	PP00042BL	TAPA SUPERIOR		310	2610	ARANDELA CENTRAL	
110	5061	TORNILLO DE TAPA SUPERIOR		320	3700	RODILLO GRANDE	
120	HW0006700	SUJECION CABLE		330	AS08716-SP	MOTOR DE TRACCIÓN	
170	2700	TORNILLO SUPERIOR LATERAL		340	AS00035R-SP	MOTOR DE BOMBEO	
180	2701	TORNILLO INFERIOR LATERAL		350	P00038	HELICE	
190	2305N	VALVULA DE GOMA		360	SW00069	TORNILLO PARA HELICE	
220	AS1062300	TAPA LATERAL		360,1	PP0004500	CUBIERTA DEL PASADOR	



# DESPIECE

REV.: 0

1073

FECHA: 01/04/2016

HOJA: 6/12

CODIGO **66019**

DESCRIPCION: LIMPIAFONDOS CTX TYPHOON 4

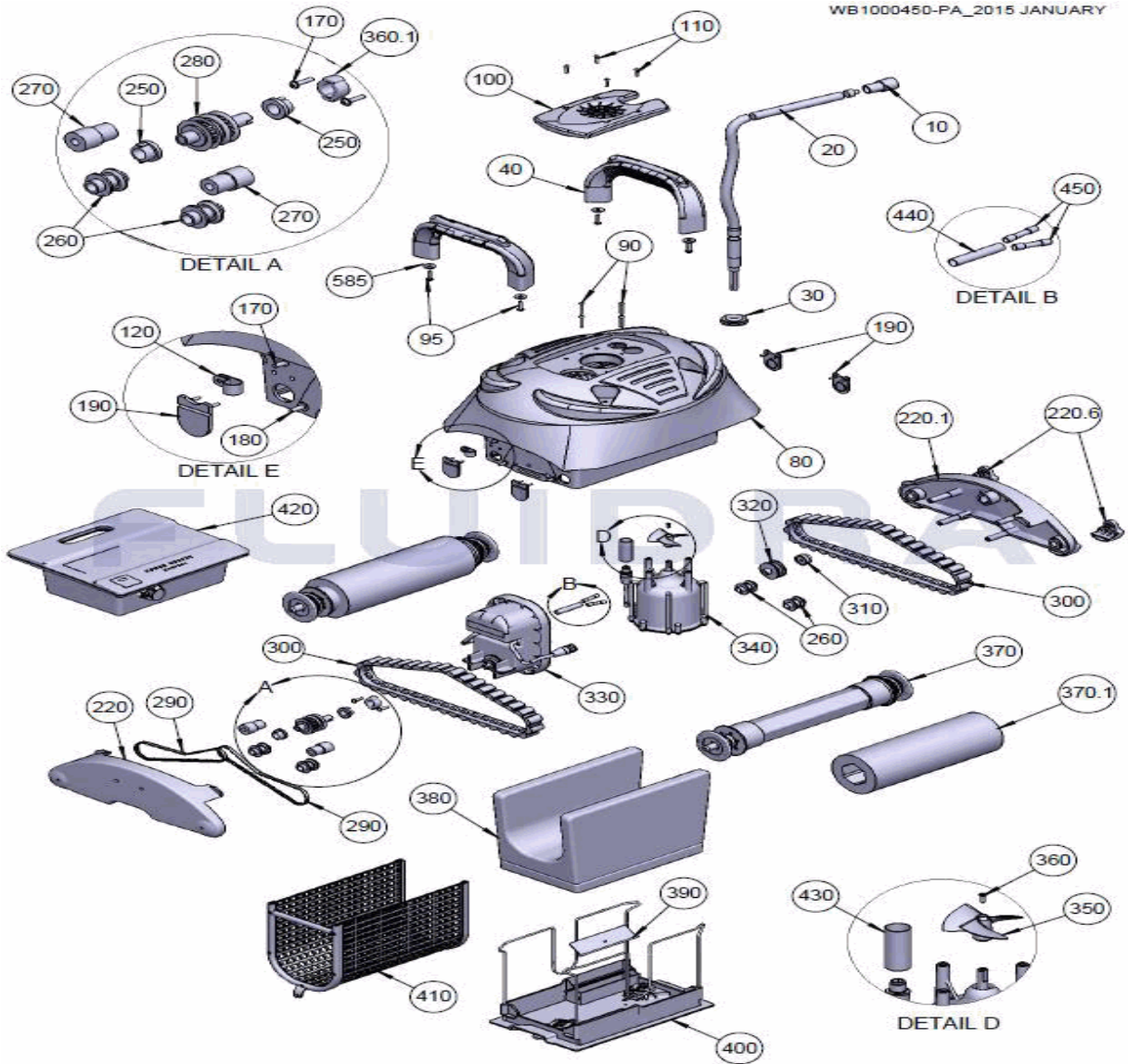
REFH-SUM0-TY413 (2016)

220.1	AS10623B1	TAPA LATERAL SUMSUM	370	AS38246CG	RODILLO DE ARRASTRE
220.6	PP00213GY	TOPE PLACA LATERAL	370,1	PP03009GY	CEPILLO PVA
380	8100S	BOLSA FILTRO	450	5473	CONECTOR RETRÁCTIL ROJO
390	9305B-NT	VALVULA PLASTICA CIERRE FONDO	585	WS00001	ARANDELA D. 6 DIN 9021
400	BS6100200	CONJUNTO TAPA INFERIOR	shown	4613	PASADOR CON RANURA
410	AS09237	CJTO. REJILLA FILTRO	shown	AS8007010-SP	CJTO. FLOTACION
420	AS2722402-SP	TRANSFORMADOR BASICO 180W GRIS	shown	PP0005000	FLOTADOR MOTOR
430	AS110162506	TUBO RETRACTIL 20/6 (60mm)	shown	XW3000100	MASILLA ESTANQUEIDAD
440	AS110011010	TUBO RETRACTIL 16/4 WCSM			

CODE **66019**

DESCRIPTION: **NETTOYEUR DE FOND CTX TYPHOON 4**

REFH-SUM0-TY413 (2016)



**FRANCAIS**

POS	CODE	DESCRIPTION	QUANTITE	POS	CODE	DESCRIPTION	QUANTITE
10	PL00002M	PRISE À 4 FICHES		250	2613	BAGUE EN MOLYBDÈNE	
20	WA00116CGL	CÂBLE FLOTTANT CG/16M/2C		260	3500	PETIT GALET	
40	AS1041000	POIGNÉE CORPS SUMSUM JAUNE		270	3506	MANCHON DE GALET	
80	AS1006900A	ENSEMBLE CORPS		280	A3605	ENSEMBLE POULIE	
90	2500	VIS 8X1,175 PH PN		290	3302	COURROIE DE TRANSMISSION	
95	HW0003100	VIS POUR POIGNÉE		300	3201G	CHENILLE	
100	PP00042BL	SORTIE SUPÉRIEURE		310	2610	RONDELLE CENTRALE	
110	5061	VIS 6-32X5/8 S/S PH PA		320	3700	GRAND GALET	
120	HW0006700	FIXATION CÂBLE		330	AS08716-SP	MOTEUR DE TRACTION	
170	2700	VIS 8X11/16 PHIL PN		340	AS00035R-SP	MOTEUR DE LA POMPE	
180	2701	VIS 8X11/16PHIL PN		350	P00038	HÉLICE	
190	2305N	VALVE CAOUTCHOUTÉE		360	SW00069	VIS M-3X10 PHIL DIN-965	
220	AS1062300	COUVERCLE LATÉRAL		360,1	PP0004500	LOGEMENT DE TIGE	

CODE **66019**

DESCRIPTION: NETTOYEUR DE FOND CTX TYPHOON 4

REFH-SUM0-TY413 (2016)

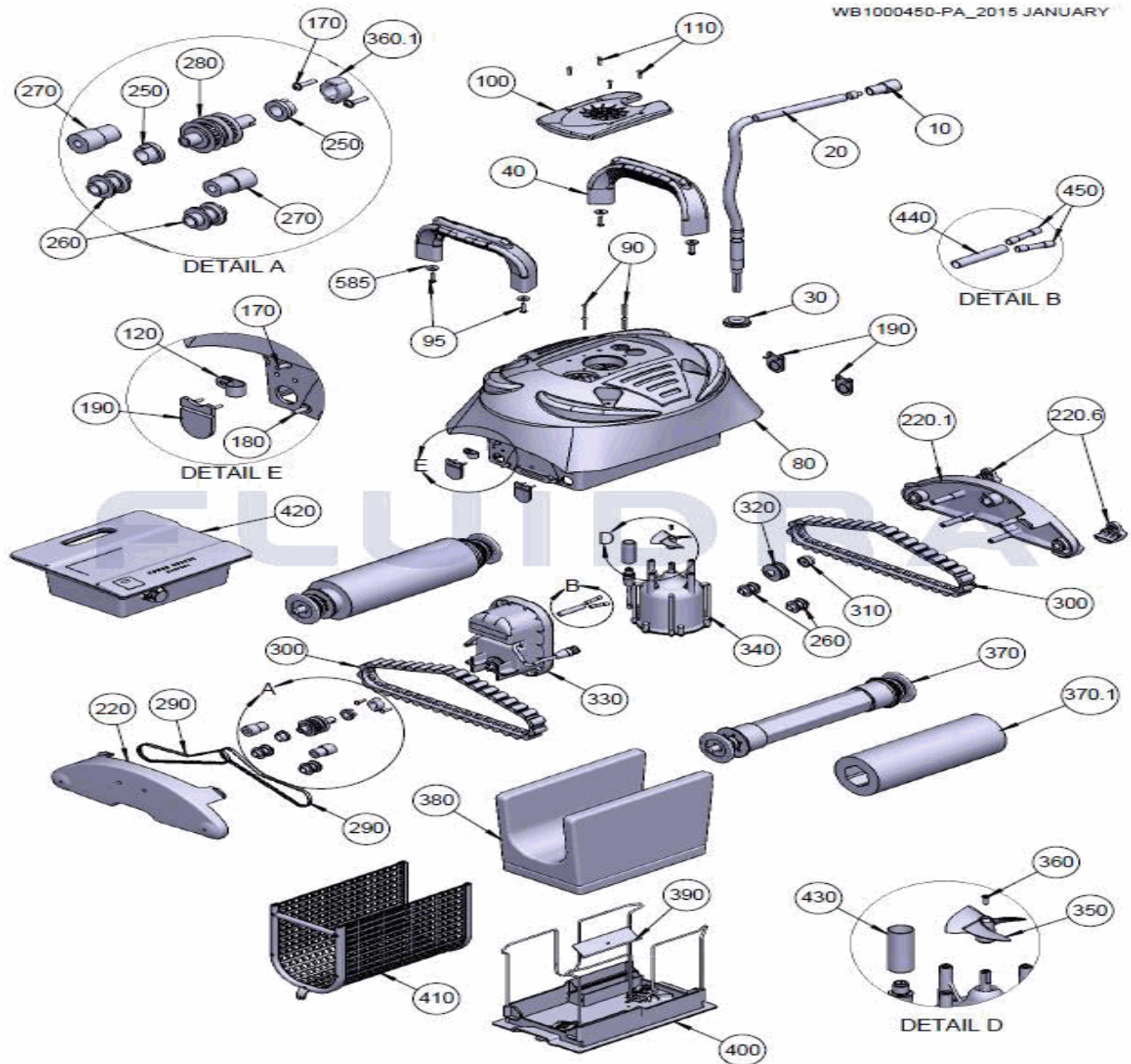
220,1	AS10623B1	COUVERCLE LATÉRAL SUMSUM	370	AS38246CG	ROULEAU D'ENTRAÎNEMENT
220,6	PP00213GY	BUTÉE COUVERCLE LATÉRAL	370,1	PP03009GY	BROSSE PVA
380	8100S	SAC FILTRANT	450	5473	CONNECTEUR BOUT À BOUT
390	9305B-NT	VANNE PLASTIQUE FERMETURE FOND	585	WS00001	RONDELLE PLATE M6 DN 9021
400	BS6100200	ENSEMBLE COUVERCLE INFÉRIEUR	shown	4613	GOUPILLE À RAINURE
410	AS09237	ENS. GRILLE ET FILTRE	shown	AS8007010-SP	ENS. FLOTTAISON
420	AS2722402-SP	TRANSFORMATEUR BASIQUE 180W GRIS	shown	PP0005000	FLOTTEUR MOTEUR
430	AS110162506	TUBE RÉTRACTABLE 20/6 (60MM)	shown	XW3000100	MASTIC ÉTANCHÉITÉ
440	AS110011010	TUYAU RÉTRACTILE 16/4 WCSM			



CODICE **66019**

DESCRIZIONE: **PULISCIFONDI CTX TYPHOON 4**

REFH-SUM0-TY413 (2016)



**ITALIANO**

POS	CODICE	DESCRIZIONE	QUANTITA'	POS	CODICE	DESCRIZIONE	QUANTITA'
10	PL00002M	PRESA A QUATTRO SPINE		250	2613	BOCCOLA IN MOLYBDENUM	
20	WA00116CGL	CAVO GALLEGGIANTE CG/16M/2C		260	3500	CILINDRO PICCOLO	
40	AS1041000	MANIGLIA CORPO SUMSUM GIALLO		270	3506	GUAINA CILINDRO	
80	AS1006900A	BLOCCO CORPO		280	A3605	BLOCCO PULEGGIA	
90	2500	VITE 8X1,175 PH PN		290	3302	CINGHIA DI TRASMISSIONE	
95	HW0003100	VITE PER MANIGLIA		300	3201G	CINGOLI DI TRASMISSIONE	
100	PP00042BL	SORTIE SUPÉRIEURE		310	2610	RONDELLA CENTRALE	
110	5061	VITE 6-32X5/8 S/S PH PA		320	3700	CILINDRO GRANDE	
120	HW0006700	ATTACCO CAVO		330	AS08716-SP	MOTORE DI TRAZIONE	
170	2700	VITE 8X11/16 PHIL PN		340	AS00035R-SP	INIETTORE A POMPA	
180	2701	VITE 8X11/16 PHIL PN		350	P00038	ELICA	
190	2305N	VALVOLA DI GOMMA		360	SW00069	VITE M-3X10 PHIL DIN-965	
220	AS1062300	COPERTURA LATERALE		360,1	PP0004500	PERNO	

CODICE **66019**

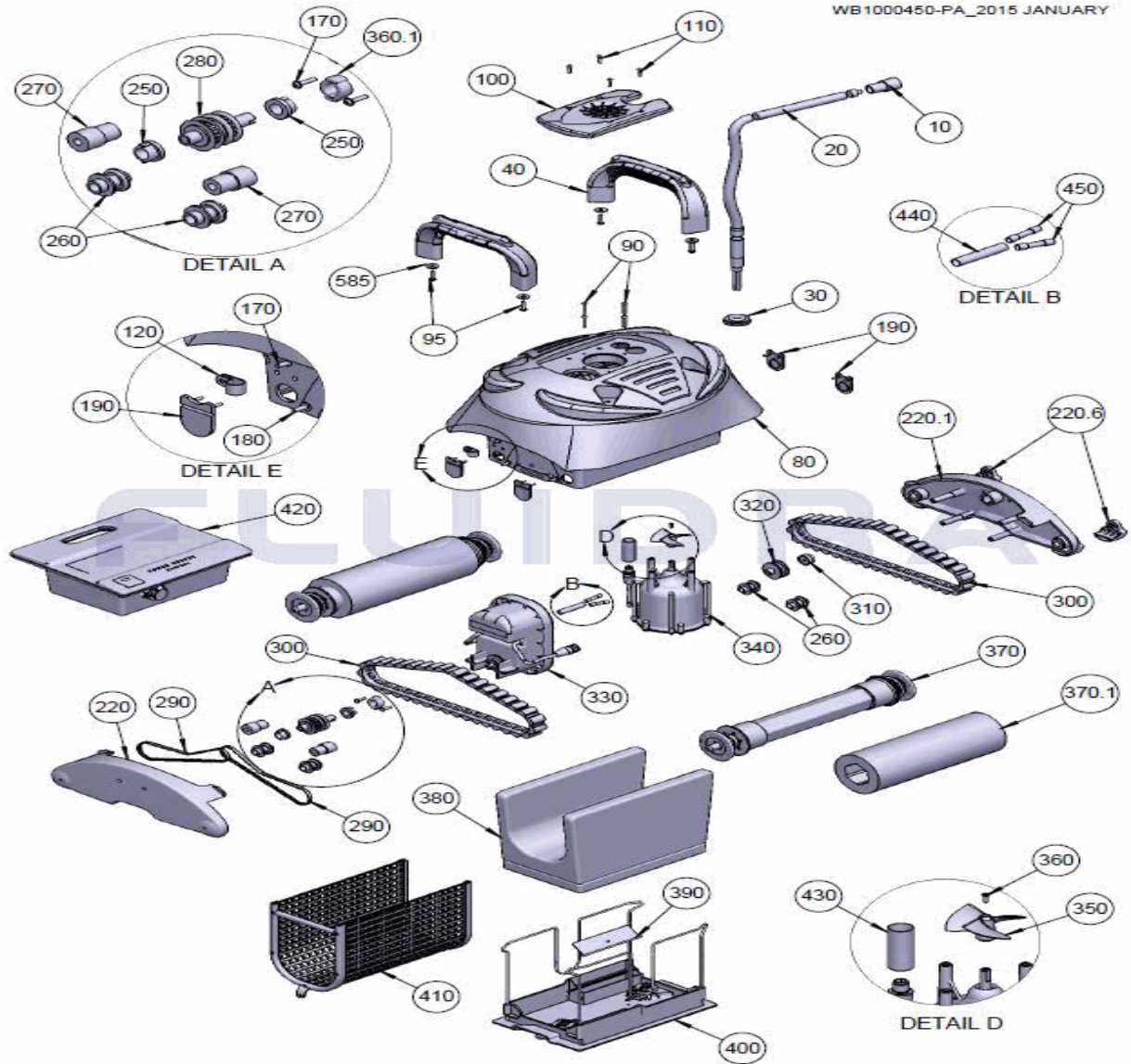
 DESCRIZIONE: **PULISCIFONDI CTX TYPHOON 4**
**REFH-SUM0-TY413 (2016)**

220,1	AS10623B1	COPERCHIO LATERALE SUMSUM	370	AS38246CG	RULLO DI TRAINO
220,6	PP00213GY	TACCO COPERCHIO LATERALE	370,1	PP03009GY	SPAZZOLA PVA
380	8100S	BORSA FILTRO	450	5473	CONNETTORI ISOLATI DI ESTREMITÀ
390	9305B-NT	VALVOLA PLASTICA CHIUSURA FONDO	585	WS00001	RONDELLA PIANA M6 DIN 9021
400	BS6100200	BLOCCO COPERCHIO INFERIORE	shown	4613	COPPIGLIA CON SCANALATURA
410	AS09237	INSIEME GRIGLIA FILTRO	shown	AS8007010-SP	KIT GALLEGGIANTE
420	AS2722402-SP	TRASFORMATORE BASICO 180 W. GRIGIO	shown	PP0005000	GALLEGGIANTE MOTORE
430	AS110162506	TUBO RETRACTIL 20/6 (60MM)	shown	XW3000100	STUCCO TENUTA STAGNA
440	AS110011010	TUBO RETRACTIL 16/4 WCSM			

CODIGO **66019**

DESCRIÇÃO: LIMPADOR DE FUNDOS CTX TYPHOON 4

REFH-SUM0-TY413 (2016)



### PORTUGUES

POS	CODIGO	DESCRIÇÃO	JANTIDADE	POS	CODIGO	DESCRIÇÃO	JANTIDADE
10	PL00002M	FICHA DE 4 PINOS		250	2613	BUCHA MOLIBDÊNIO	
20	WA00116CGL	CONJUNTO CABO DA BOIA CG/16M/2C		260	3500	ROLETE PEQUENO	
40	AS1041000	PEGA CORPO SUMSUM AMARELO		270	3506	ROLETE DE BORRACHA	
80	AS1006900A	CONJUNTO CORPO		280	A3605	CONJUNTO ROLDANA	
90	2500	PARAFUSO 8 X 1,175 PH PN		290	3302	CORREIA DE TRANSMISSÃO	
95	HW0003100	PARAFUSO PARA PEGA		300	3201G	LAGARTA DE TRACÇÃO	
100	PP00042BL	SORTIE SUPÉRIEURE		310	2610	ANILHA CENTRAL	
110	5061	PARAFUSO 6-32 X 5/8 S/S PH PA		320	3700	ROLETE GRANDE	
120	HW0006700	FIXAÇÃO CABO		330	AS08716-SP	MOTOR DE TRACÇÃO	
170	2700	PARAFUSO 8 X 11/16 PHIL PN		340	AS00035R-SP	BOMBA MOTOR	
180	2701	PARAFUSO 8 X 11/16 PHIL PN		350	P00038	HÉLICE	
190	2305N	VÁLVULA DE BORRACHA		360	SW00069	PARAFUSO M-3 X 10 PHIL DIN-965	
220	AS1062300	TAMPA LATERAL		360,1	PP0004500	ENCAIXE PARA PINO	

**CODIGO 66019**

**DESCRIÇÃO: LIMPADOR DE FUNDOS CTX TYPHOON 4**

**REFH-SUM0-TY413 (2016)**

220,1	AS10623B1	TAMPA LATERAL SUMSUM	370	AS38246CG	ROLO DE ARRASTO
220,6	PP00213GY	CUNHA TAMPA LATERAL	370,1	PP03009GY	ESCOVA PVA
380	8100S	BOLSA FILTRO	450	5473	CONECTOR DE EXTREMIDADE
390	9305B-NT	VÁLVULA PLÁSTICA FECHO FUNDO	585	WS00001	ANILHA PLANA M6 DIN 9021
400	BS6100200	CONJUNTO TAMPA INFERIOR	shown	4613	PASSADOR COM RANHURA
410	AS09237	CJTO. GRELHA FILTRO	shown	AS8007010-SP	CJTO. FLUTUAÇÃO
420	AS2722402-SP	TRANSFORMADOR BÁSICO 180 W. CINZEI	shown	PP0005000	BOIA MOTOR
430	AS110162506	TUBO ENCOLHÍVEL 20/6 (60MM)	shown	XW3000100	SELANTE ESTANQUEIDADE
440	AS110011010	TUBO RETRÁTIL 16/4 WCSM			