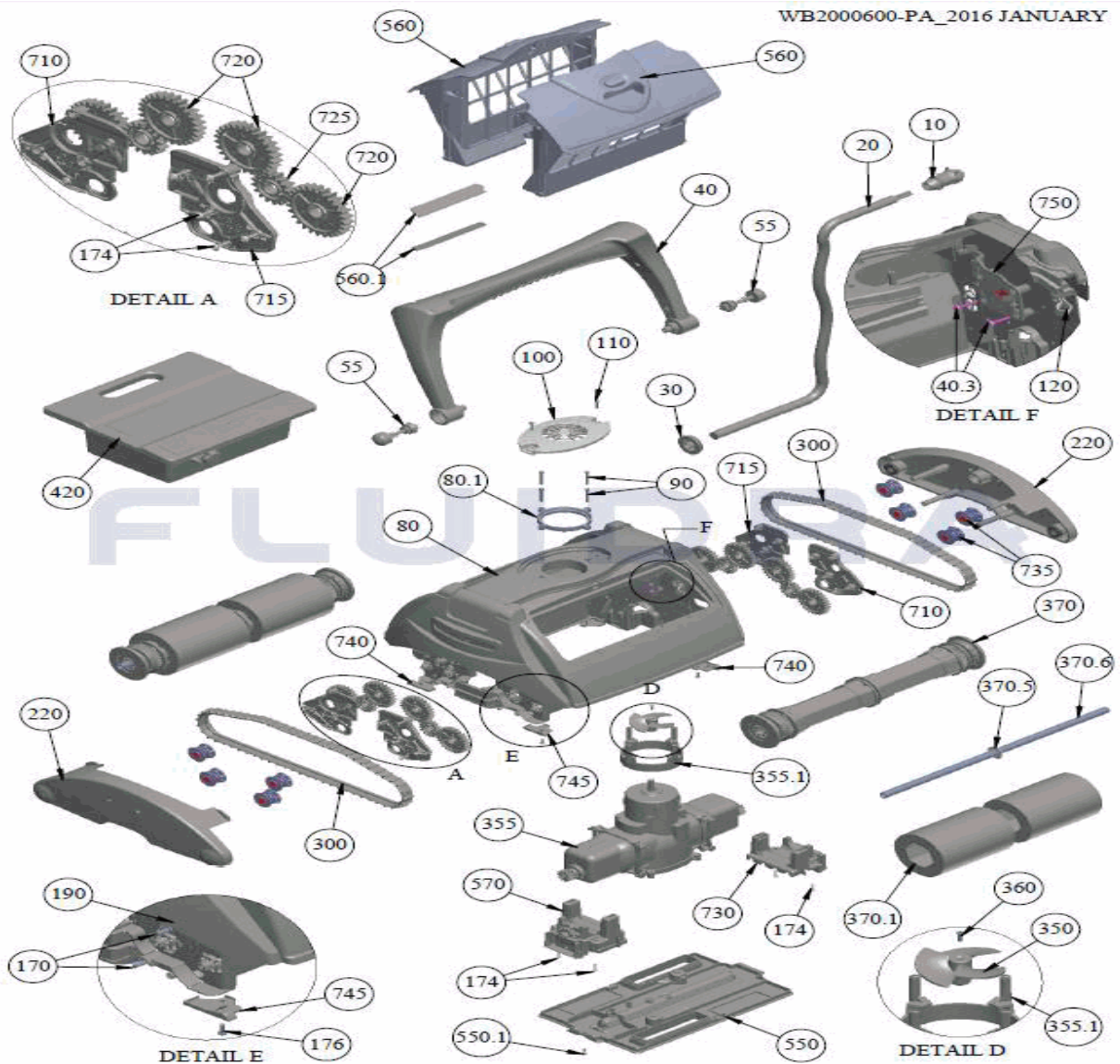


CODIGO **66020**

DESCRIPCION: LIMPIAFONDOS CTX TYPHOON TOP 5 DUO

RE3D-NANB-T5D13 (2016)


ESPAÑOL

POS	CODIGO	DESCRIPCION	CANTIDAD	POS	CODIGO	DESCRIPCION	CANTIDAD
10	ASPL00002M	ENCHUFE 4 TERMINALES		190	PP0095300	ALETA SALIDA AGUA	
20	WA00222CGL	CABLE FLOTADOR CG/18M/2C/EZ-SW/FAS		220	AS1064700	PLACA LATERAL	
30	1623	TUERCA FIJACIÓN CABLE		300	PP00949CG	CORREA DE ORUGA	
40	AS1045400	MANGO FLOTADOR		350	PP00952GY	HÉLICE	
40.3	HW0007000	TORNILLO PT KA 50X20		355	AS2904110-SP	MOTOR DE TRACCION	
55	SK00004BL	PIN COMPLETO PARA MANGO		355.1	PP0096400	ACCESORIOS BOMBA BREEZER	
80	AS1014110	CJTO. CUERPO		360	SW00069	TORNILLO PARA HELICE	
80.1	PP0064500	ESPACIADOR PARA NANA 7MM		370	AS38254CG	RODILLO DE ARRASTRE	
90	2500	TORNILLO PARA MOTOR BOMBA		370.1	3009AG	CEPILLO PVA GRIS (ANTIGUO)	
100	PP00059DG	TAPA SUPERIOR		370.5	3603	ARANDELA INTERMEDIA DE EJE	
110	5061	TORNILLO DE TAPA SUPERIOR		370.6	MP00234	EJE 424 MM	
120	HW0006700	SUJECION CABLE		420	AS2722600-SP	TRANSFORMADOR	
170	HW0006000	TORNILLO PT WN 1412		550	AS1050304	CONJUNTO TAPA INFERIOR CON CEPILLO	



DESPIECE

REV.: 1

1072

FECHA: 08/10/2018

HOJA: 2/12

CODIGO **66020**

DESCRIPCION: LIMPIAFONDOS CTX TYPHOON TOP 5 DUO

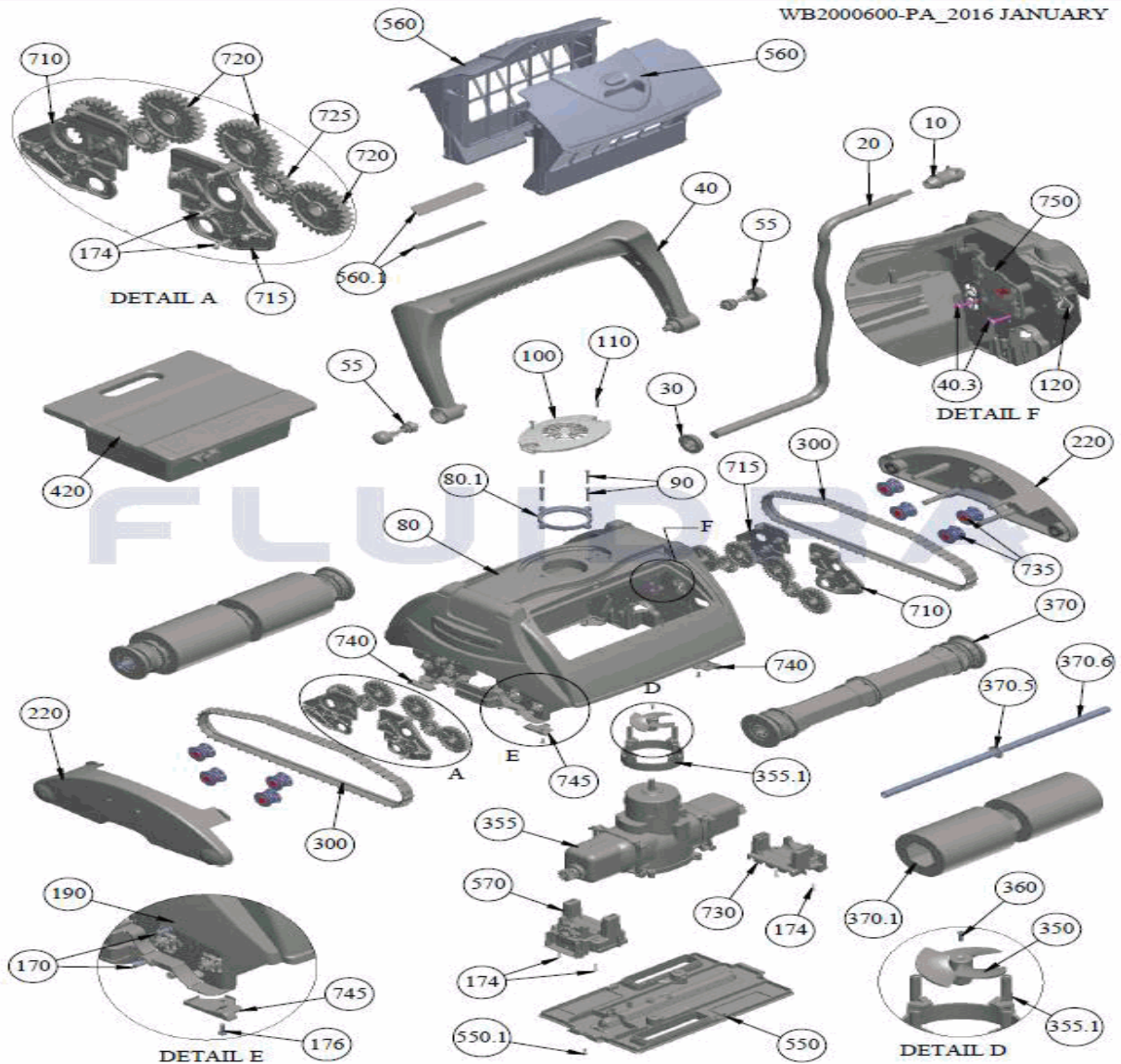
RE3D-NANB-T5D13 (2016)

174	HW0005800	TORNILLO EJOT PT KA 40X14 WN1412	560	AS1051427	FILTRO DGFNAN
176	HW0004200	TORNILLO EJOT PT KB30X10	560,1	PP00672IV	FILTRO VALVULA SUPERIOR
570	AS1050952	CJTO. CEPILLO VIBRANTE PARA BREEZEF	735	PP0095100	RODILLO PARA CORREA DE ORUGA
710	PP0097000	BUJE PLACA LATERAL IZQUIERDO	740	PP0096500	PROTECTOR INFERIOR DERECHO
715	PP0096900	BUJE PLACA LATERAL DERECHO	745	PP0096800	PROTECTOR INFERIOR IZQUIERDO
720	PP0093800	RUEDA DENTADA LATERAL GRANDE	750	PP0097200	SUJETACABLES PARA BREEZER
725	PP0093900	RUEDA DENTADA LATERAL PEQUEÑA	shown	PL00008F	CONECTOR ELECTRICO 4 PIN HEMBRA
730	PP0093700	PUENTE OMEGA			

CODE **66020**

DESCRIPTION: NETTOYEUR DE FOND CTX TYPHOON TOP 5 DUO

RE3D-NANB-T5D13 (2016)



FRANCAIS

POS	CODE	DESCRIPTION	QUANTITE	POS	CODE	DESCRIPTION	QUANTITE
10	ASPL00002M	PRISE À 4 FICHES		190	PP0095300	CLAPET SORTIE EAU	
20	WA00222CGL	CÂBLE FLOTTANT CG/18M/2C/EZ-SW/FAST		220	AS1064700	PLAQUE LATÉRALE	
30	1623	ÉCROU FIXATION CÂBLE		300	PP00949CG	COURROIE DE CHENILLE	
40	AS1045400	MANCHE FLOTTEUR		350	PP00952GY	HÉLICE	
40.3	HW0007000	VIS PT KA 50X20		355	AS2904110-SP	MOTEUR DE TRACTION	
55	SK00004BL	PIN COMPLET POUR MANCHE		355.1	PP0096400	ACCESSOIRES POMPE BREEZER	
80	AS1014110	ENSEMBLE CORPS		360	SW00069	VIS M-3X10 PHIL DIN-965	
80.1	PP0064500	ENTRETOISE POUR NANA 7MM		370	AS38254CG	ROULEAU D'ENTRAÎNEMENT	
90	2500	VIS 8X1,175 PH PN		370.1	3009AG	BROSSE PVA GRISE (ANCIENNE)	
100	PP00059DG	SORTIE SUPÉRIEURE		370.5	3603	RONDELLE INTERMÉDIAIRE AXE	
110	5061	VIS 6-32X5/8 S/S PH PA		370.6	MP00234	AXE 424 MM	
120	HW0006700	FIXATION CÂBLE		420	AS2722600-SP	TRANSFORMATEUR	
170	HW0006000	VIS PT WN 1412		550	AS1050304	ENSEMBLE COUVERCLE INFÉRIEUR	

CODE **66020**

DESCRIPTION: NETTOYEUR DE FOND CTX TYPHOON TOP 5 DUO

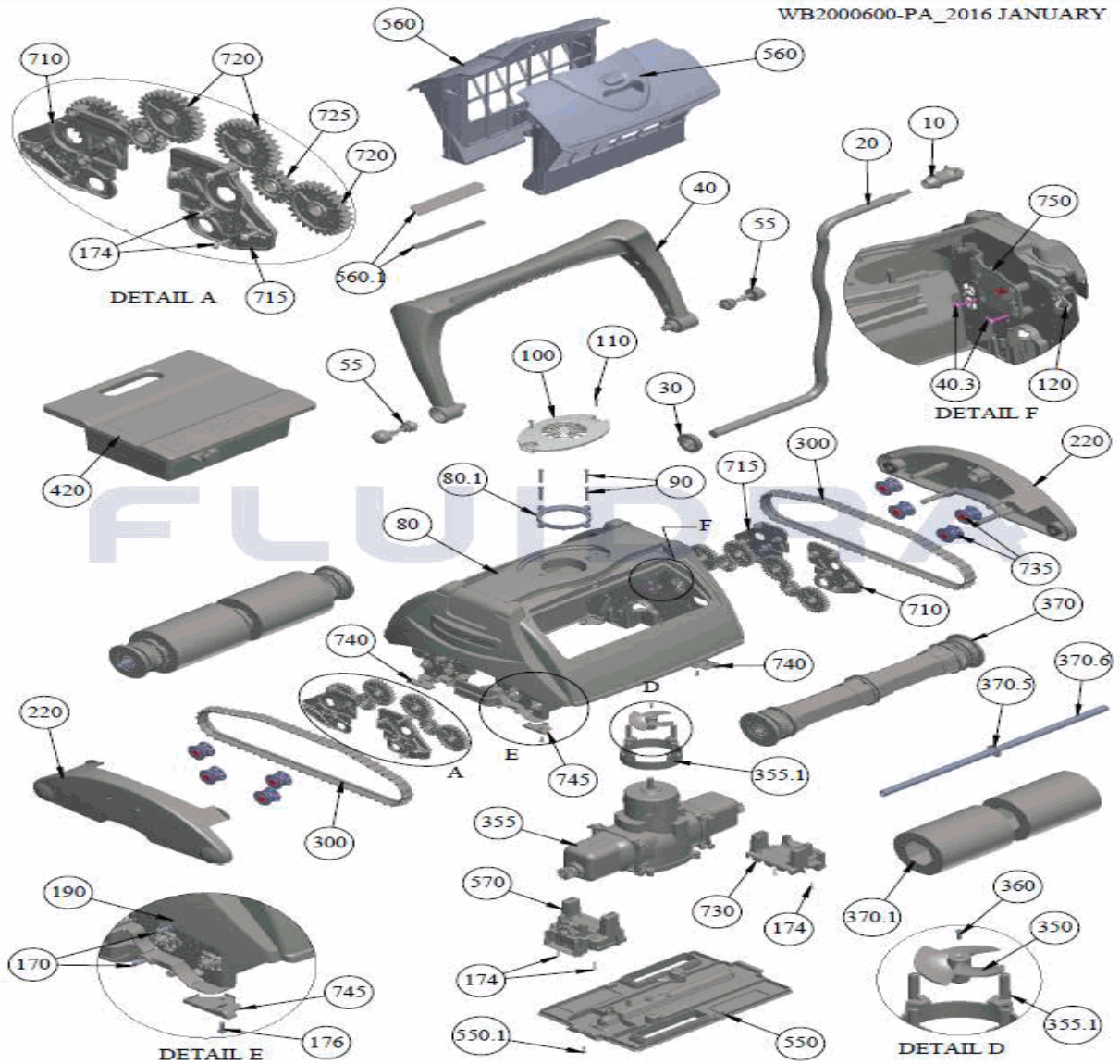
RE3D-NANB-T5D13 (2016)

174	HW0005800	VIS EJOT PT KA 40X14 WN1412	560	AS1051427	FILTRE DGFNAN
176	HW0004200	VIS EJOT PT KB30X10	560,1	PP00672IV	FILTRE VANNE SUPÉRIEUR
570	AS1050952	ENS. BROSSE VIBRANTE POUR BREEZER	735	PP0095100	ROULEAU POUR COURROIE DE CHENILLE
710	PP0097000	BAGUE PLAQUE LATÉRALE GAUCHE	740	PP0096500	PROTECTEUR INFÉRIEUR DROIT
715	PP0096900	BAGUE PLAQUE LATÉRALE DROITE	745	PP0096800	PROTECTEUR INFÉRIEUR GAUCHE
720	PP0093800	ROUE DENTÉE LATÉRALE GRANDE	750	PP0097200	ATTACHE-CÂBLES POUR BREEZER
725	PP0093900	ROUE DENTÉE LATÉRALE PETITE	shown	PL00008F	CONNECTEUR ÉLECTRIQUE 4 BROCHES F
730	PP0093700	PONT OMÉGA			

CODE **66020**

DESCRIPTION: **POOL CLEANER CTX TYPHOON TOP 5 DUO**

RE3D-NANB-T5D13 (2016)



ENGLISH

POS	CODE	DESCRIPTION	QUANTITY	POS	CODE	DESCRIPTION	QUANTITY
10	ASPL00002M	4 PIN PLUG		190	PP0095300	WATER OUTLET FLAP	
20	WA00222CGL	FLOAT CABLE ASSY CG/18M/2C/EZ-SW/FA'		220	AS1064700	SIDE PLATE, ROUND,	
30	1623	SEALING GROMMET		300	PP00949CG	TRACK BELT	
40	AS1045400	HANDLE ASSY		350	PP00952GY	PROPELLER	
40.3	HW0007000	SCREW EJOT PT KA 50X20		355	AS2904110-SP	MOTORS BOX ASSY	
55	SK00004BL	PIN ASSY FOR HANDLE		355.1	PP0096400	PUMP FIXTURE FOR BREEZER	
80	AS1014110	BODY ASSEMBLY		360	SW00069	SCRERW M-3X10 PHIL DIN-965	
80.1	PP0064500	SPACER FOR NANA 7MM		370	AS38254CG	WHEEL TUBE ASSY.	
90	2500	SCREW 8X1,175 PH PN		370.1	3009AG	PVA BRUSH	
100	PP00059DG	OUTLET TOP		370.5	3603	FLAT DELRIN WASHER	
110	5061	SCREW 6-32X5/8 S/S PH PA		370.6	MP00234	AXLE 424 MM	
120	HW0006700	CABLE RETAINER SOPHIA		420	AS2722600-SP	POWER SUPPLY	
170	HW0006000	SCREW EJOT PT WN 1412		550	AS1050304	BOTTOM LID ASSY	



PARTS BREAKDOWN

REV.: 1
DATE: 08/10/2018
SHEET: 6/12

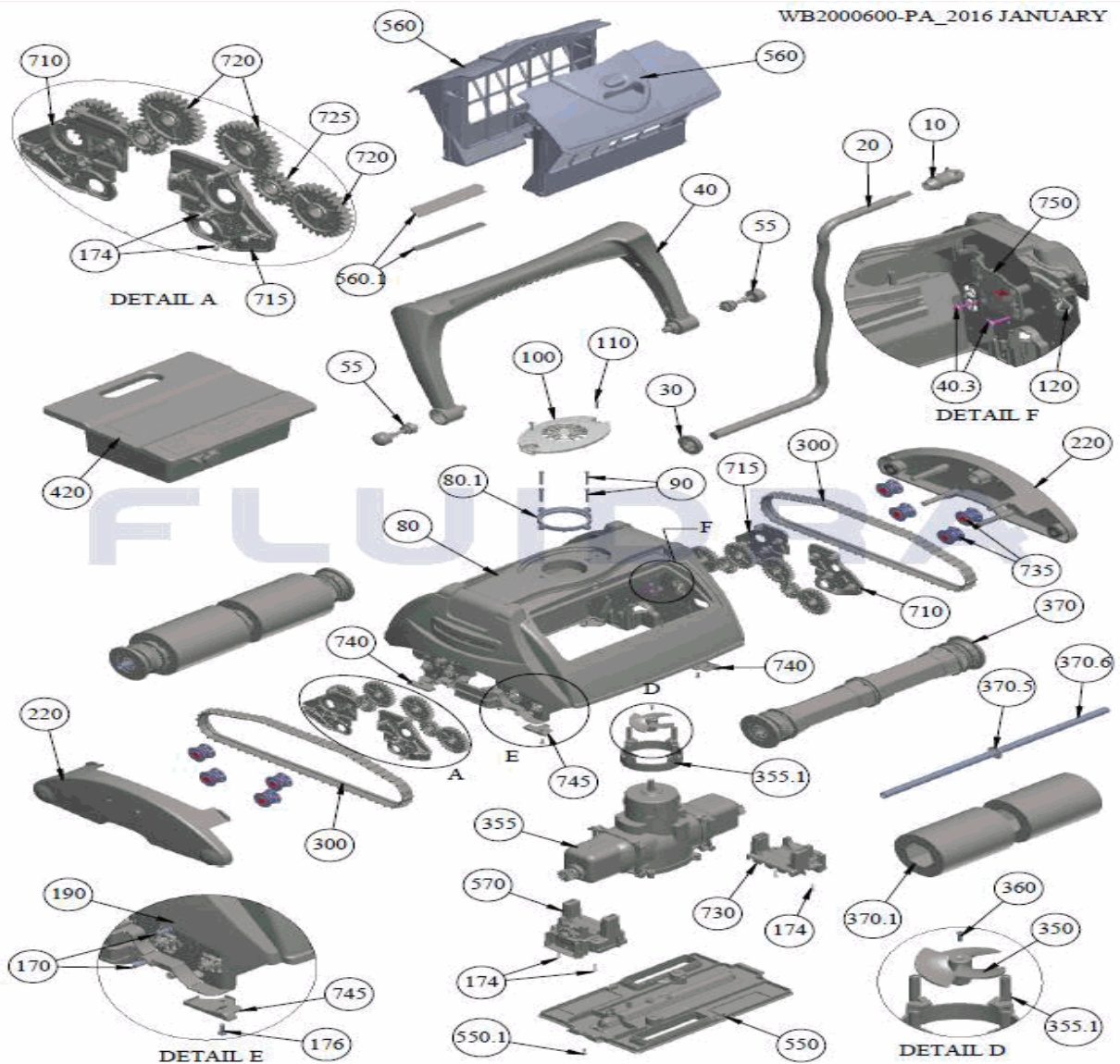
1072

CODE **66020**

DESCRIPTION: **POOL CLEANER CTX TYPHOON TOP 5 DUO**

RE3D-NANB-T5D13 (2016)

174	HW0005800	SCREW EJOT PT KA 40X14 WN1412	560	AS1051427	DGFNAN FILTER
176	HW0004200	SCREW EJOT PT KB30X10	560,1	PP00672IV	FILTER VALVE FOR TOP NEW
570	AS1050952	VB ASSY FOR BREEZER	735	PP0095100	TRACK BELT ROLLER
710	PP0097000	LEFT SIDE PLATE BUSHING	740	PP0096500	BOTTOM PROTECTOR RIGHT
715	PP0096900	RIGHT SIDE PLATE BUSHING	745	PP0096800	BOTTOM PROTECTOR LEFT
720	PP0093800	SIDE COGWHEEL BIG	750	PP0097200	CABLE HOLDER BREEZER
725	PP0093900	SIDE COGWHEEL SMALL	shown	PL00008F	CONNECTOR 4 PIN FEMALE
730	PP0093700	OMEGA BRIDGE			

CODICE **66020**DESCRIZIONE: **PULISCIFONDI CTX TYPHOON TOP 5 DUO****RE3D-NANB-T5D13 (2016)****ITALIANO**

POS	CODICE	DESCRIZIONE	QUANTITA'	POS	CODICE	DESCRIZIONE	QUANTITA'
10	ASPL00002M	PRESA A QUATTRO SPINE		190	PP0095300	ALETTA USCITA ACQUA	
20	WA00222CGL	CAVO GALLEGGIANTE CG/18M/2C/EZ-SW/I		220	AS1064700	PLACCA LATERALE	
30	1623	OCCHIELLO SIGILLANTE		300	PP00949CG	CINGHIA DENTATA	
40	AS1045400	MANICO GALLEGGIANTE		350	PP00952GY	ELICA	
40.3	HW0007000	VITE PT KA 50X20		355	AS2904110-SP	MOTORE DI TRAZIONE	
55	SK00004BL	PIN COMPLETO PER MANICO		355.1	PP0096400	ACCESSORI POMPA BREEZER	
80	AS1014110	GRUPPO CORPO		360	SW00069	VITE M-3X10 PHIL DIN-965	
80.1	PP0064500	DISTANZIATORE PER NANA 7MM		370	AS38254CG	RULLO DI TRAINO	
90	2500	VITE 8X1,175 PH PN		370.1	3009AG	SPAZZOLA PVA GRIGIO (VECCHIO)	
100	PP00059DG	SORTIE SUPERIEURE		370.5	3603	RONDELLA INTERMEDIA DI ASSE	
110	5061	VITE 6-32X5/8 S/S PH PA		370.6	MP00234	ASSE 424 MM	
120	HW0006700	ATTACCO CAVO		420	AS2722600-SP	TRASFORMATORE	
170	HW0006000	VITE PT WN 1412		550	AS1050304	BLOCCO COPERCHIO INFERIORE	

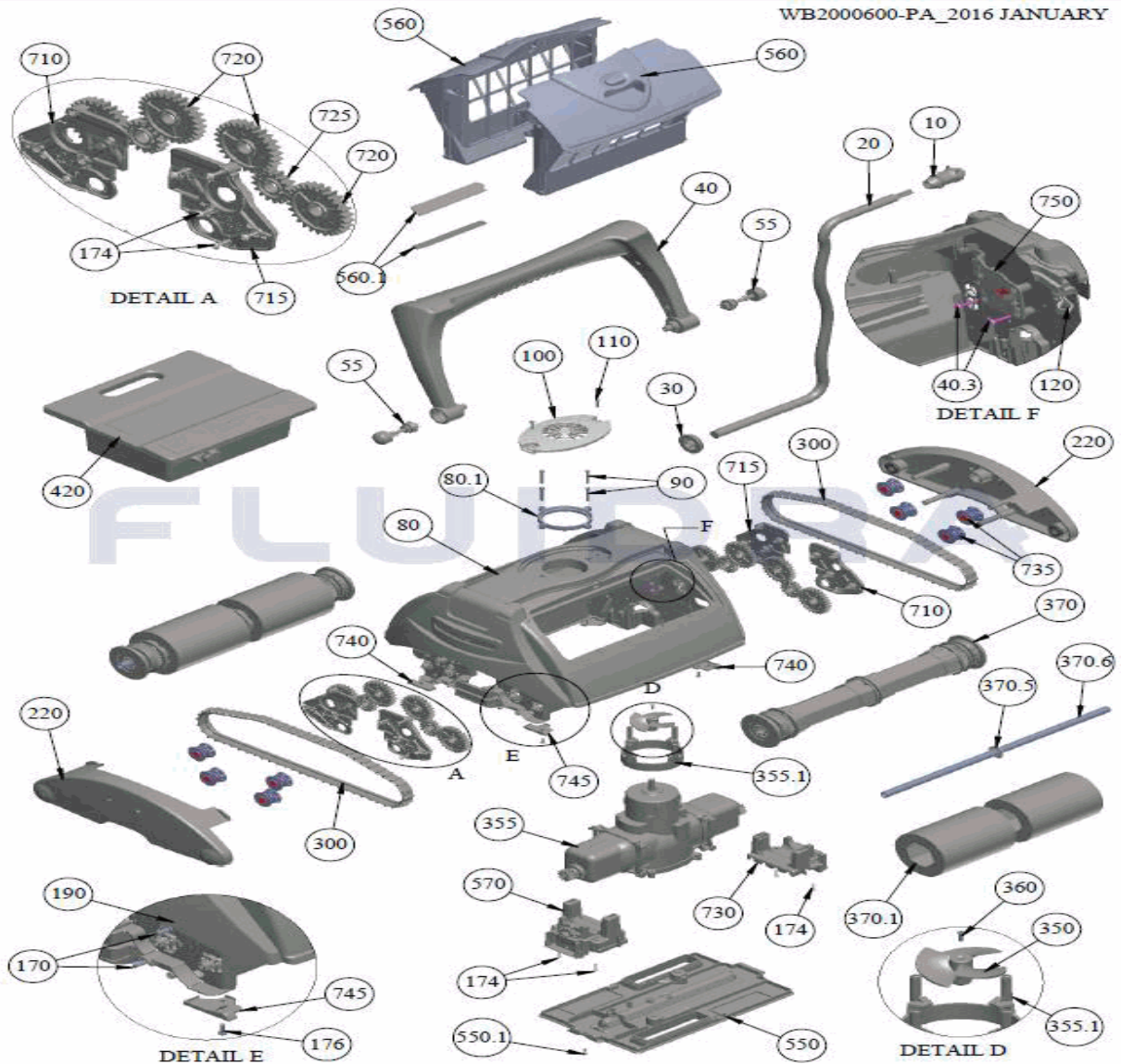
CODICE **66020**DESCRIZIONE: **PULISCIFONDI CTX TYPHOON TOP 5 DUO****RE3D-NANB-T5D13 (2016)**

174	HW0005800	VITE EJOT PT KA 40X14 WN1412	560	AS1051427	FILTRO DGFNAN
176	HW0004200	VITE EJOT PT KB30X10	560,1	PP00672IV	FILTRO VALVOLA SUPERIORE
570	AS1050952	KIT SPAZZOLA VIBRANTE PER BREEZER	735	PP0095100	RULLO PER CINGHIA DENTATA
710	PP0097000	BOCCOLA PLACCA LATERALE SINISTRA	740	PP0096500	PROTETTORE INFERIORE DESTRO
715	PP0096900	BOCCOLA PLACCA LATERALE DESTRA	745	PP0096800	PROTETTORE INFERIORE SINISTRO
720	PP0093800	RUOTA DENTATA LATERALE GRANDE	750	PP0097200	FERMACAVI PER BREEZER
725	PP0093900	RUOTA DENTATA LATERALE PICCOLA	shown	PL00008F	CONNETTORE ELETTRICO 4 PIN FEMMINA
730	PP0093700	PONTE OMEGA			

CODE **66020**

BESCHREIBUNG: **BODENREINIGER CTX TYPHOON TOP 5 DUO**

RE3D-NANB-T5D13 (2016)



DEUTSCH

POS	CODE	BESCHREIBUNG	MENGE	POS	CODE	BESCHREIBUNG	MENGE
10	ASPL00002M	STECKDOSE 4 ANSCHLÜSSE		190	PP0095300	KLAPPE WASSERAUSGANG	
20	WA00222CGL	SCHWIMMERKABEL CG/18M/2C/EZ-SW/FA'		220	AS1064700	SEITENPLAKETTE	
30	1623	FIXIERMUTTER KABEL		300	PP00949CG	KETTENLEINE	
40	AS1045400	GRIFF SCHWIMMTEIL		350	PP00952GY	HELIX	
40.3	HW0007000	SCHRAUBE PT KA 50X20		355	AS2904110-SP	ZUGMOTOR	
55	SK00004BL	PIN KOMPLETT FÜR GRIFF		355.1	PP0096400	PUMPENZUBEHÖR BREEZER	
80	AS1014110	SET KÖRPER		360	SW00069	SCHRAUBE FÜR ANTRIEBSSCHRAUBE	
80.1	PP0064500	DISTANZSTÜCK FÜR NANA		370	AS38254CG	FÖRDERROLLE	
90	2500	SCHRAUBE FÜR PUMPENMOTOR		370.1	3009AG	BÜRSTE PVA GRAU (VORVERSION)	
100	PP00059DG	OBERER ABZUG		370.5	3603	UNTERLEGSSCHEIBE MITTIG ACHSE	
110	5061	SCHRAUBE ABDECKUNG OBEN		370.6	MP00234	ACHSE 424 MM	
120	HW0006700	BEFESTIGUNG KABEL		420	AS2722600-SP	TRANSFORMATOR	
170	HW0006000	SCHRAUBE PT WN 1412		550	AS1050304	UNTERER GERÄTEDECKEL	

CODE **66020**

BESCHREIBUNG: **BODENREINIGER CTX TYPHOON TOP 5 DUO**

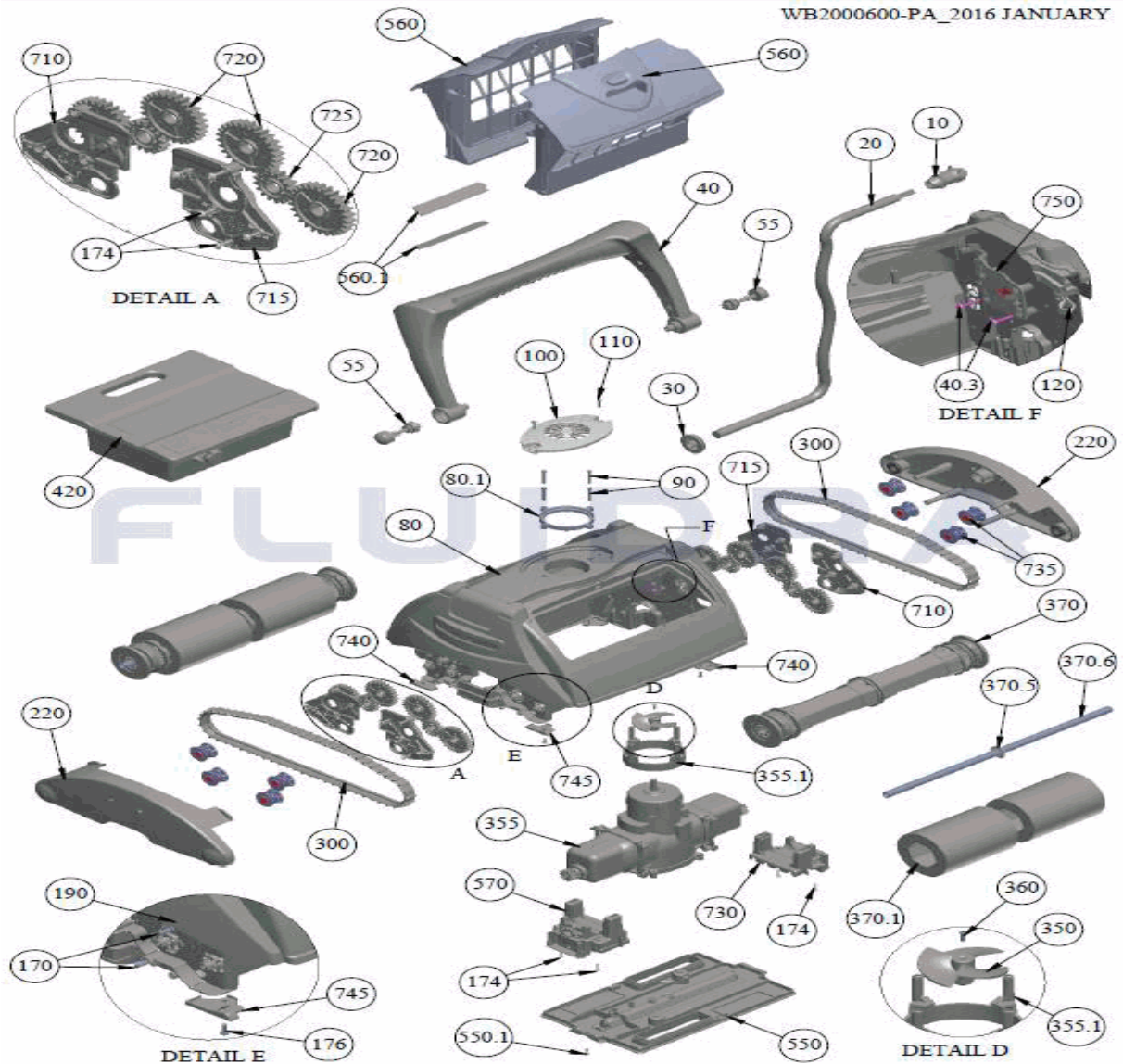
RE3D-NANB-T5D13 (2016)

174	HW0005800	SCHRAUBE EJOT PT KA 40X14 WN1412	560	AS1051427	FILTER DGFNAN
176	HW0004200	SCHRAUBE EJOT PT KB30X10	560,1	PP00672IV	FILTER VENTIL OBEN
570	AS1050952	SET VIBRIERBÜRSTE FÜR BREEZER	735	PP0095100	ROLLE KETTENLEINE
710	PP0097000	BÜCHSE SEITENPLATTE LINKS	740	PP0096500	SCHUTZVORRICHTUNG RECHTS UNTEN
715	PP0096900	BÜCHSE SEITENPLATTE RECHTS	745	PP0096800	SCHUTZVORRICHTUNG LINKS UNTEN
720	PP0093800	GROSSES SEITLICHES ZAHNRAD	750	PP0097200	KABELFÜHRUNG BREEZER
725	PP0093900	KLEINES SEITLICHES ZAHNRAD	shown	PL00008F	ELEKTRISCHER VERBINDER 4 PIN WEIBLIC
730	PP0093700	OMEGABRÜCKE			

CODIGO **66020**

DESCRIÇÃO: LIMPADOR DE FUNDOS CTX TYPHOON TOP 5 DUO

RE3D-NANB-T5D13 (2016)


PORTUGUES

POS	CODIGO	DESCRIÇÃO	JANTIDADE	POS	CODIGO	DESCRIÇÃO	JANTIDADE
10	ASPL00002M	FICHA DE 4 PINOS		190	PP0095300	BARBATANA SAÍDA DE ÁGUA	
20	WA00222CGL	CONJUNTO CABO BOIA CG/18M/2C/EZ-SW		220	AS1064700	PLACA LATERAL	
30	1623	ANEL ISOLANTE		300	PP00949CG	CINTA DE LAGARTA	
40	AS1045400	PEGA BOIA		350	PP00952GY	HÉLICE	
40.3	HW0007000	PARAFUSO PT KA 50X20		355	AS2904110-SP	MOTOR DE TRACÇÃO	
55	SK00004BL	PINO COMPLETO PARA PEGA		355.1	PP0096400	ACESSÓRIOS BOMBA BREEZER	
80	AS1014110	CONJUNTO CORPO		360	SW00069	PARAFUSO M-3 X 10 PHIL DIN-965	
80.1	PP0064500	ESPAÇADOR PARA NANA 7 MM		370	AS38254CG	ROLO DE ARRASTO	
90	2500	PARAFUSO 8 X 1,175 PH PN		370.1	3009AG	ESCOVA PVA CINZENTA (ANTIGA)	
100	PP00059DG	SORTIE SUPÉRIURE		370.5	3603	ANILHA INTERMÉDIA DO EIXO	
110	5061	PARAFUSO 6-32 X 5/8 S/S PH PA		370.6	MP00234	EIXO 424 MM	
120	HW0006700	FIXAÇÃO CABO		420	AS2722600-SP	TRANSFORMADOR	
170	HW0006000	PARAFUSO PT WN 1412		550	AS1050304	CONJUNTO TAMPA INFERIOR	



ITEM

REV.: 1

1072

DATA: 08/10/2018

FOLHA: 12/12

CODIGO **66020**

DESCRIÇÃO: LIMPADOR DE FUNDOS CTX TYPHOON TOP 5 DUO

RE3D-NANB-T5D13 (2016)

174	HW0005800	PARAFUSO EJOT PT KA 40X14 WN1412	560	AS1051427	FILTRO DGFNAN
176	HW0004200	PARAFUSO EJOT PT KB30X10	560,1	PP00672IV	FILTRO VÁLVULA SUPERIOR
570	AS1050952	CJTO. ESCOVA VIBRANTE PARA BREEZER	735	PP0095100	CILINDRO PARA CINTA DE LAGARTA
710	PP0097000	CASQUILHO PLACA LATERAL ESQUERDA	740	PP0096500	PROTETOR INFERIOR DIREITO
715	PP0096900	CASQUILHO PLACA LATERAL DIREITA	745	PP0096800	PROTETOR INFERIOR ESQUERDO
720	PP0093800	RODA DENTADA LATERAL GRANDE	750	PP0097200	CERRA-CABOS PARA BREEZER
725	PP0093900	RODA DENTADA LATERAL PEQUENA	shown	PL00008F	FICHA DE 4 PINOS FÊMEA
730	PP0093700	PONTE OMEGA			