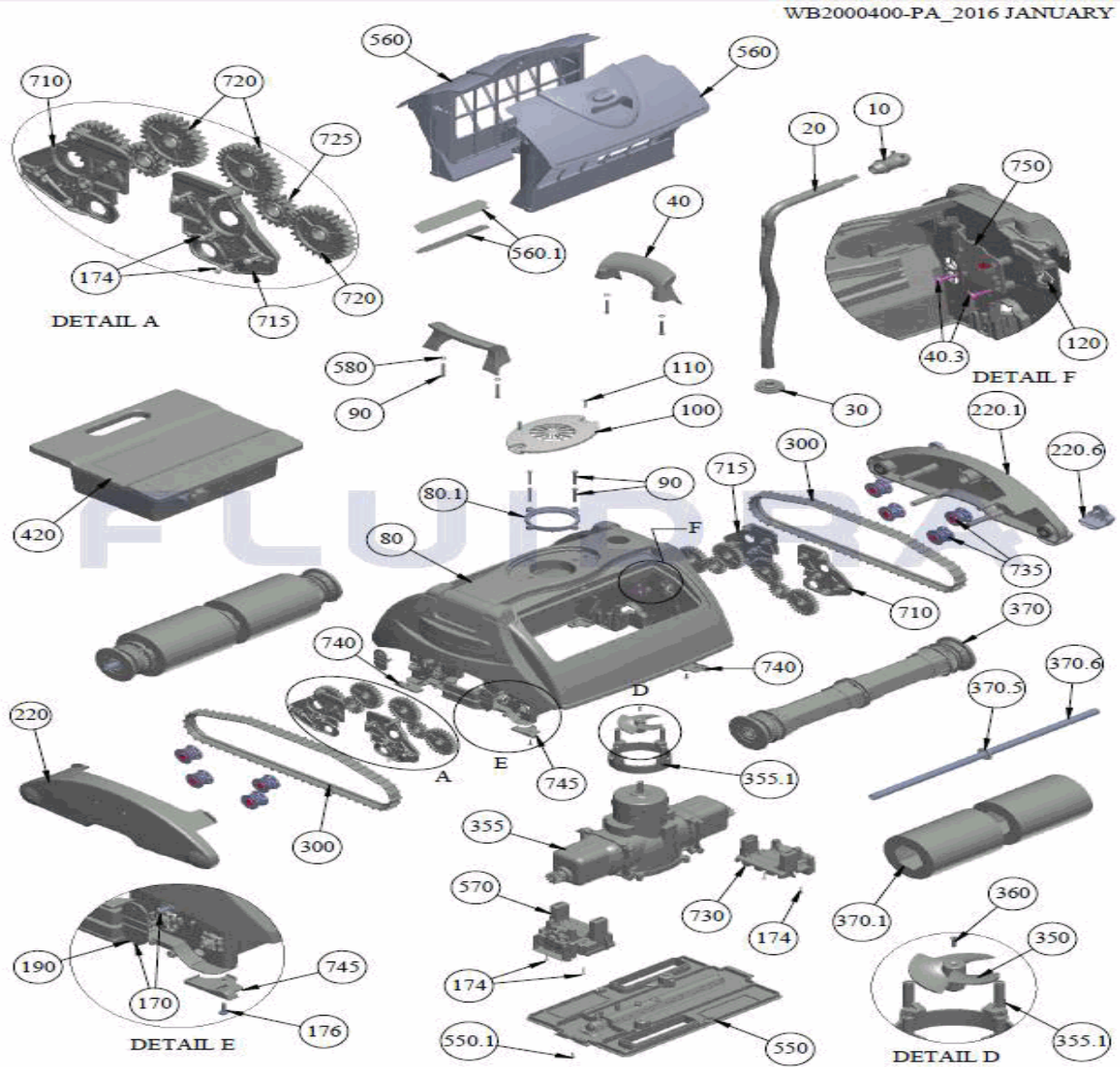


CODIGO **66024**

DESCRIPCION: LIMPIAFONDOS CTX TYPHOON TOP 3 DUO

REFD-NANB-T3D13 (2016)



ESPAÑOL

POS	CODIGO	DESCRIPCION	CANTIDAD	POS	CODIGO	DESCRIPCION	CANTIDAD
10	ASPL00002M	ENCHUFE 4 TERMINALES		220	AS1064700	PLACA LATERAL	
20	WA00222CGL	CABLE FLOTADOR CG/18M/2C/EZ-SW/FAS		220.1	AS10647B1	PLACA LATERAL	
30	1623	TUERCA FIJACIÓN CABLE		220.6	PP00213GY	TOPE PLACA LATERAL	
40	PP00463DGA	CONJUNTO ASA SUPERIOR		300	PP00949CG	CORREA DE ORUGA	
40.3	HW0007000	TORNILLO PT KA 50X20		350	PP00952GY	HÉLICE	
80	AS1014120	CJTO. CUERPO		355	AS2904130-SP	MOTOR DE TRACCION	
80.1	PP0064500	ESPACIADOR PARA NANA 7MM		355.1	PP0096400	ACCESORIOS BOMBA BREEZER	
90	2500	TORNILLO PARA MOTOR BOMBA		360	SW00069	TORNILLO PARA HELICE	
100	PP00059DG	TAPA SUPERIOR		370	AS38254CG	RODILLO DE ARRASTRE	
110	5061	TORNILLO DE TAPA SUPERIOR		370.1	3009AG	CEPILLO PVA GRIS (ANTIGUO)	
120	HW0006700	SUJECION CABLE		370.5	3603	ARANDELA INTERMEDIA DE EJE	
170	HW0006000	TORNILLO PT WN 1412		370.6	MP00234	EJE 424 MM	
174	HW0005800	TORNILLO EJOT PT KA 40X14 WN1412		420	AS2722402-SP	TRANSFORMADOR BASICO 180W GRIS	



DESPIECE

REV.: 1

1070

FECHA: 08/10/2018

HOJA: 2/12

CODIGO **66024**

DESCRIPCION: LIMPIAFONDOS CTX TYPHOON TOP 3 DUO

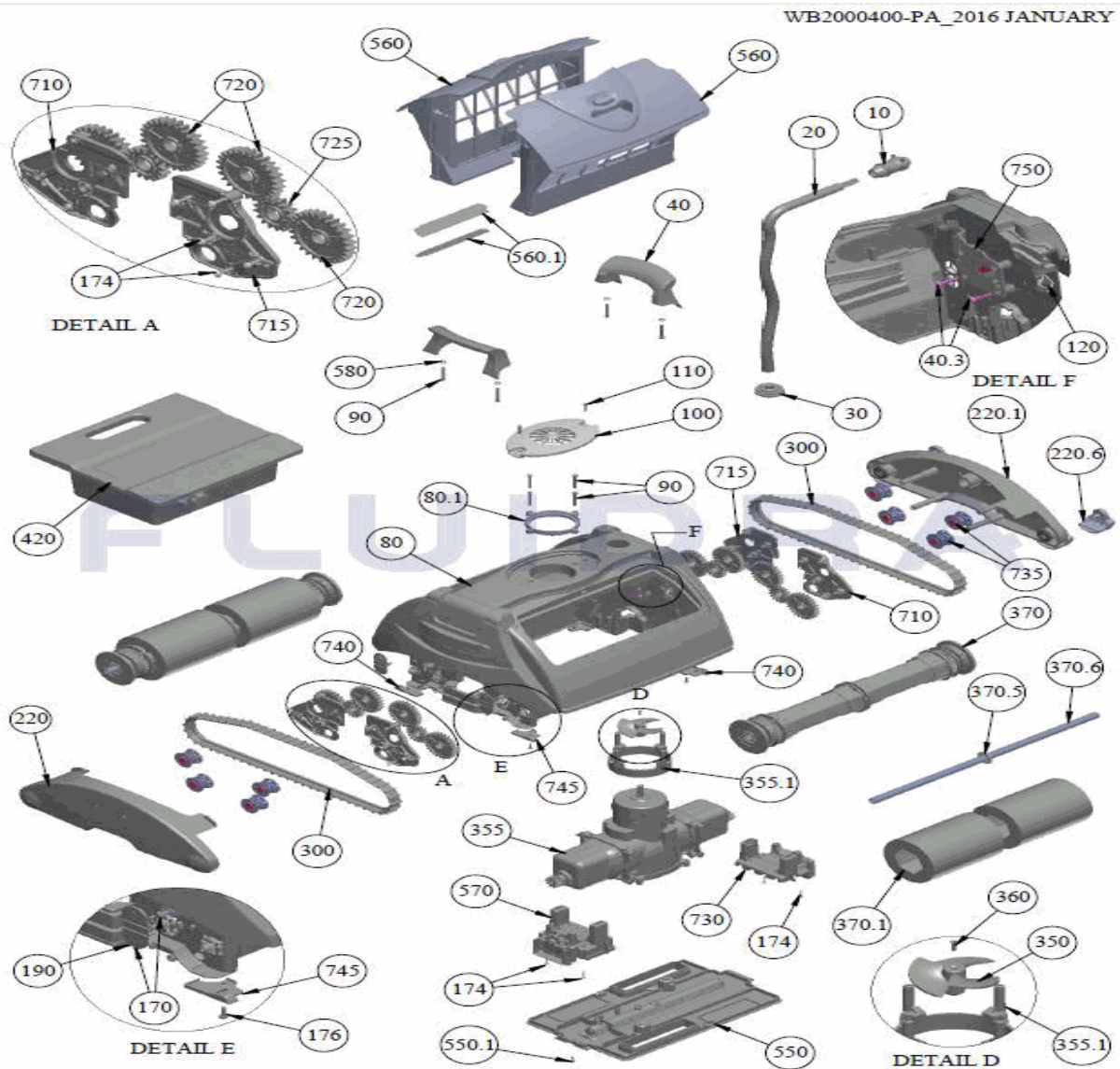
REFD-NANB-T3D13 (2016)

176	HW0004200	TORNILLO EJOT PT KB30X10	550	AS1050304	CONJUNTO TAPA INFERIOR CON CEPILLO
190	PP0095300	ALETA SALIDA AGUA	560	AS1051427	FILTRO DGFNAN
560.1	PP00672IV	FILTRO VALVULA SUPERIOR	730	PP0093700	PUENTE OMEGA
570	AS1050952	CJTO. CEPILLO VIBRANTE PARA BREEZEF	735	PP0095100	RODILLO PARA CORREA DE ORUGA
580	11065	ARANDELA D.4 DIN 125 A2	740	PP0096500	PROTECTOR INFERIOR DERECHO
710	PP0097000	BUJE PLACA LATERAL IZQUIERDO	745	PP0096800	PROTECTOR INFERIOR IZQUIERDO
715	PP0096900	BUJE PLACA LATERAL DERECHO	750	PP0097200	SUJETACABLES PARA BREEZER
720	PP0093800	RUEDA DENTADA LATERAL GRANDE	shown	PL00008F	CONECTOR ELECTRICO 4 PIN HEMBRA
725	PP0093900	RUEDA DENTADA LATERAL PEQUEÑA			

CODE **66024**

DESCRIPTION: NETTOYEUR DE FOND CTX TYPHOON TOP 3 DUO

REFD-NANB-T3D13 (2016)



FRANCAIS

POS	CODE	DESCRIPTION	QUANTITE	POS	CODE	DESCRIPTION	QUANTITE
10	ASPL00002M	PRISE À 4 FICHES		220	AS1064700	PLAQUE LATÉRALE	
20	WA00222CGL	CÂBLE FLOTTANT CG/18M/2C/EZ-SW/FAST		220.1	AS10647B1	PLAQUE LATÉRALE	
30	1623	ÉCROU FIXATION CÂBLE		220.6	PP00213GY	BUTÉE COUVERCLE LATÉRAL	
40	PP00463DGA	ENSEMBLE POIGNÉE SUPÉRIEUR		300	PP00949CG	COURROIE DE CHENILLE	
40.3	HW0007000	VIS PT KA 50X20		350	PP00952GY	HÉLICE	
80	AS1014120	ENSEMBLE CORPS		355	AS2904130-SP	MOTEUR DE TRACTION	
80.1	PP0064500	ENTRETOISE POUR NANA 7MM		355.1	PP0096400	ACCESSOIRES POMPE BREEZER	
90	2500	VIS 8X1,175 PH PN		360	SW00069	VIS M-3X10 PHIL DIN-965	
100	PP00059DG	SORTIE SUPÉRIEURE		370	AS38254CG	ROULEAU D'ENTRAÎNEMENT	
110	5061	VIS 6-32X5/8 S/S PH PA		370.1	3009AG	BROSSE PVA GRISE (ANCIENNE)	
120	HW0006700	FIXATION CÂBLE		370.5	3603	RONDELLE INTERMÉDIAIRE AXE	
170	HW0006000	VIS PT WN 1412		370.6	MP00234	AXE 424 MM	
174	HW0005800	VIS EJOT PT KA 40X14 WN1412		420	AS2722402-SP	TRANSFORMATEUR BASIQUE 180W GRIS	

CODE **66024**

DESCRIPTION: NETTOYEUR DE FOND CTX TYPHOON TOP 3 DUO

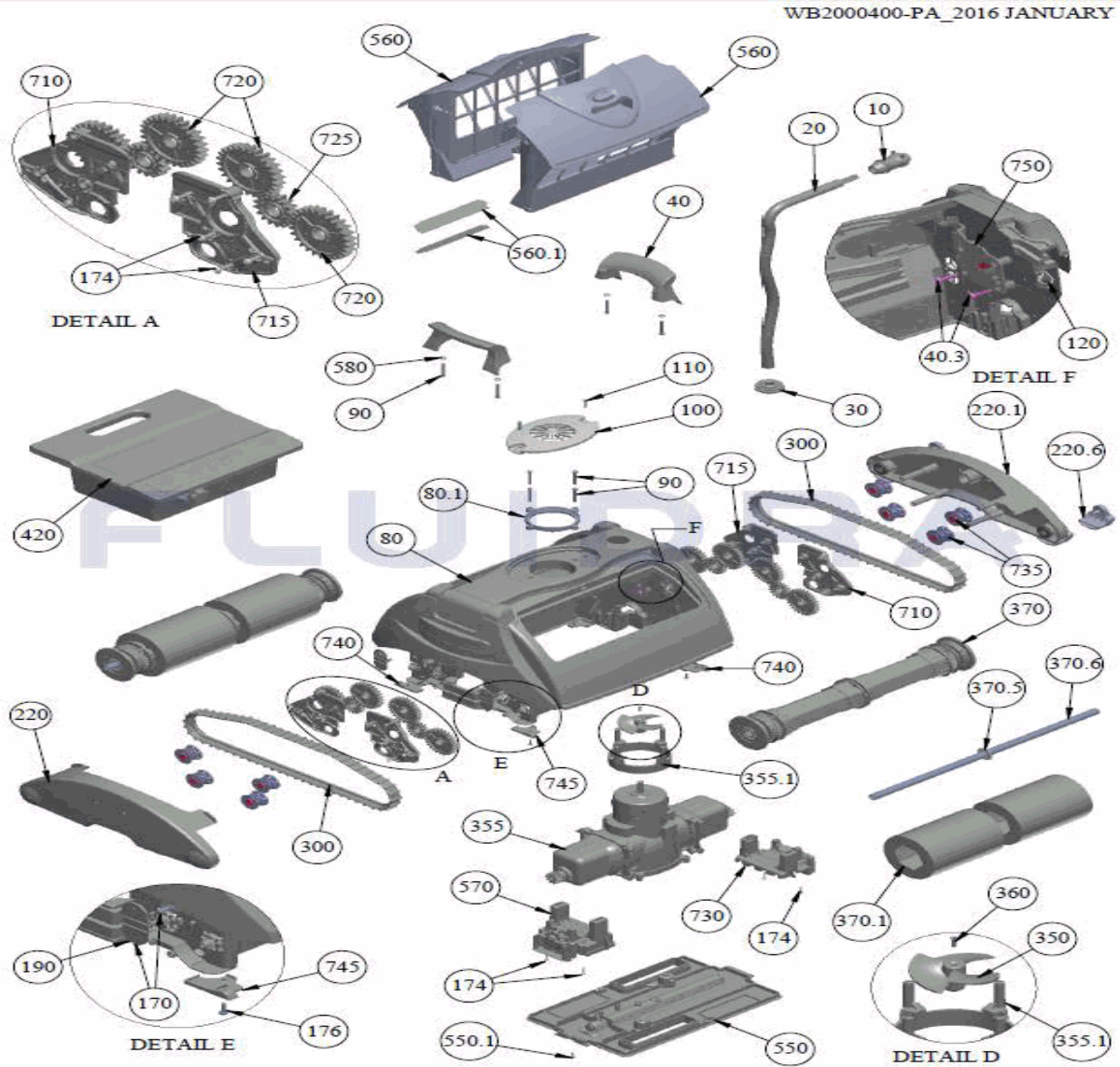
REFD-NANB-T3D13 (2016)

176	HW0004200	VIS EJOT PT KB30X10	550	AS1050304	ENSEMBLE COUVERCLE INFÉRIEUR
190	PP0095300	CLAPET SORTIE EAU	560	AS1051427	FILTRE DGFNAN
560.1	PP00672IV	FILTRE VANNE SUPÉRIEUR	730	PP0093700	PONT OMÉGA
570	AS1050952	ENS. BROSSSE VIBRANTE POUR BREEZER	735	PP0095100	ROULEAU POUR COURROIE DE CHENILLE
580	11065	RONDELLE M4 DIN-125-1A A2	740	PP0096500	PROTECTEUR INFÉRIEUR DROIT
710	PP0097000	BAGUE PLAQUE LATÉRALE GAUCHE	745	PP0096800	PROTECTEUR INFÉRIEUR GAUCHE
715	PP0096900	BAGUE PLAQUE LATÉRALE DROITE	750	PP0097200	ATTACHE-CÂBLES POUR BREEZER
720	PP0093800	ROUE DENTÉE LATÉRALE GRANDE	shown	PL00008F	CONNECTEUR ÉLECTRIQUE 4 BROCHES F
725	PP0093900	ROUE DENTÉE LATÉRALE PETITE			

CODE **66024**

DESCRIPTION: **POOL CLEANER CTX TYPHOON TOP 3 DUO**

REFD-NANB-T3D13 (2016)



WB2000400-PA_2016 JANUARY

ENGLISH

POS	CODE	DESCRIPTION	QUANTITY	POS	CODE	DESCRIPTION	QUANTITY
10	ASPL00002M	4 PIN PLUG		220	AS1064700	SIDE PLATE, ROUND,	
20	WA00222CGL	FLOAT CABLE ASSY CG/18M/2C/EZ-SW/FA'		220.1	AS10647B1	SIDE PLATE, ROUND,	
30	1623	SEALING GROMMET		220.6	PP00213GY	BUMPER FOR SIDE PLATE	
40	PP00463DGA	TOP HANDLE ASSY		300	PP00949CG	TRACK BELT	
40.3	HW0007000	SCREW EJOT PT KA 50X20		350	PP00952GY	PROPELLER	
80	AS1014120	BODY ASSEMBLY		355	AS2904130-SP	MOTORS BOX ASSY	
80.1	PP0064500	SPACER FOR NANA 7MM		355.1	PP0096400	PUMP FIXTURE FOR BREEZER	
90	2500	SCREW 8X1,175 PH PN		360	SW00069	SCRERW M-3X10 PHIL DIN-965	
100	PP00059DG	OUTLET TOP		370	AS38254CG	WHEEL TUBE ASSY.	
110	5061	SCREW 6-32X5/8 S/S PH PA		370.1	3009AG	PVA BRUSH	
120	HW0006700	CABLE RETAINER SOPHIA		370.5	3603	FLAT DELRIN WASHER	
170	HW0006000	SCREW EJOT PT WN 1412		370.6	MP00234	AXLE 424 MM	
174	HW0005800	SCREW EJOT PT KA 40X14 WN1412		420	AS2722402-SP	SPS BASIC 180W GREY	



PARTS BREAKDOWN

REV.: 1
DATE: 08/10/2018
SHEET: 6/12

1070

CODE **66024**

DESCRIPTION: **POOL CLEANER CTX TYPHOON TOP 3 DUO**

REFD-NANB-T3D13 (2016)

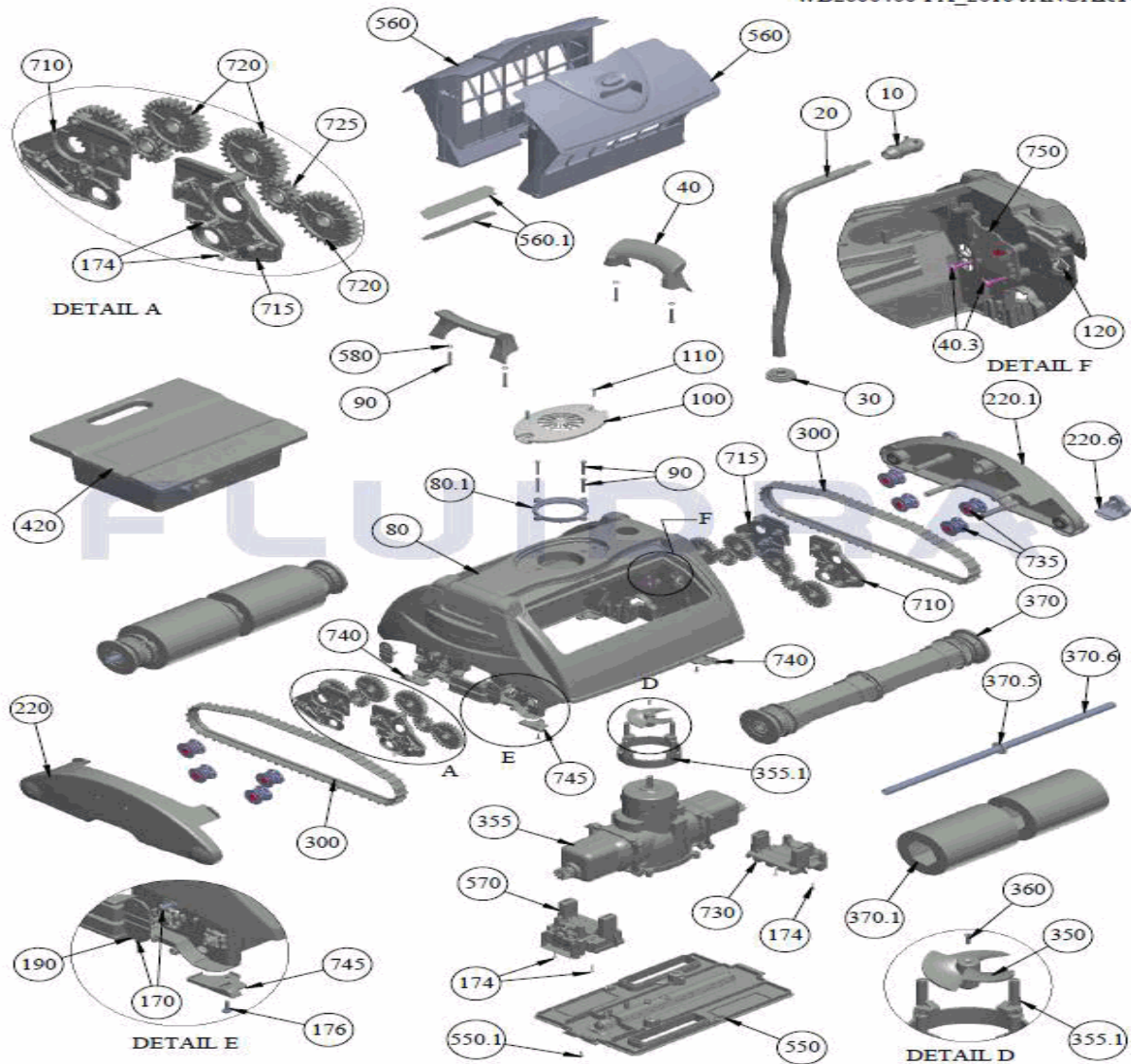
176	HW0004200	SCREW EJOT PT KB30X10	550	AS1050304	BOTTOM LID ASSY
190	PP0095300	WATER OUTLET FLAP	560	AS1051427	DGFNAN FILTER
560.1	PP00672IV	FILTER VALVE FOR TOP NEW	730	PP0093700	OMEGA BRIDGE
570	AS1050952	VB ASSY FOR BREEZER	735	PP0095100	TRACK BELT ROLLER
580	11065	WASHER M4 DIN-125-1A A2	740	PP0096500	BOTTOM PROTECTOR RIGHT
710	PP0097000	LEFT SIDE PLATE BUSHING	745	PP0096800	BOTTOM PROTECTOR LEFT
715	PP0096900	RIGHT SIDE PLATE BUSHING	750	PP0097200	CABLE HOLDER BREEZER
720	PP0093800	SIDE COGWHEEL BIG	shown	PL00008F	CONNECTOR 4 PIN FEMALE
725	PP0093900	SIDE COGWHEEL SMALL			

CODICE **66024**

 DESCRIZIONE: **PULISCIFONDI CTX TYPHOON TOP 3 DUO**

REFD-NANB-T3D13 (2016)

WB2000400-PA_2016 JANUARY


ITALIANO

POS	CODICE	DESCRIZIONE	QUANTITA'	POS	CODICE	DESCRIZIONE	QUANTITA'
10	ASPL00002M	PRESA A QUATTRO SPINE		220	AS1064700	PLACCA LATERALE	
20	WA00222CGL	CAVO GALLEGGIANTE CG/18M/2C/EZ-SW/I		220.1	AS10647B1	PLACCA LATERALE	
30	1623	OCCHIELLO SIGILLANTE		220.6	PP00213GY	TACCO COPERCHIO LATERALE	
40	PP00463DGA	KIT MANICO SUPERIORE		300	PP00949CG	CINGHIA DENTATA	
40.3	HW0007000	VITE PT KA 50X20		350	PP00952GY	ELICA	
80	AS1014120	GRUPPO CORPO		355	AS2904130-SP	MOTORE DI TRAZIONE	
80.1	PP0064500	DISTANZIATORE PER NANA 7MM		355.1	PP0096400	ACCESSORI POMPA BREEZER	
90	2500	VITE 8X1,175 PH PN		360	SW00069	VITE M-3X10 PHIL DIN-965	
100	PP00059DG	SORTIE SUPÉRIEURE		370	AS38254CG	RULLO DI TRAINO	
110	5061	VITE 6-32X5/8 S/S PH PA		370.1	3009AG	SPAZZOLA PVA GRIGIO (VECCHIO)	
120	HW0006700	ATTACCO CAVO		370.5	3603	RONDELLA INTERMEDIA DI ASSE	
170	HW0006000	VITE PT WN 1412		370.6	MP00234	ASSE 424 MM	
174	HW0005800	VITE EJOT PT KA 40X14 WN1412		420	AS2722402-SP	TRASFORMATORE BASICO 180 W. GRIGIO	

CODICE **66024**DESCRIZIONE: **PULISCIFONDI CTX TYPHOON TOP 3 DUO****REFD-NANB-T3D13 (2016)**

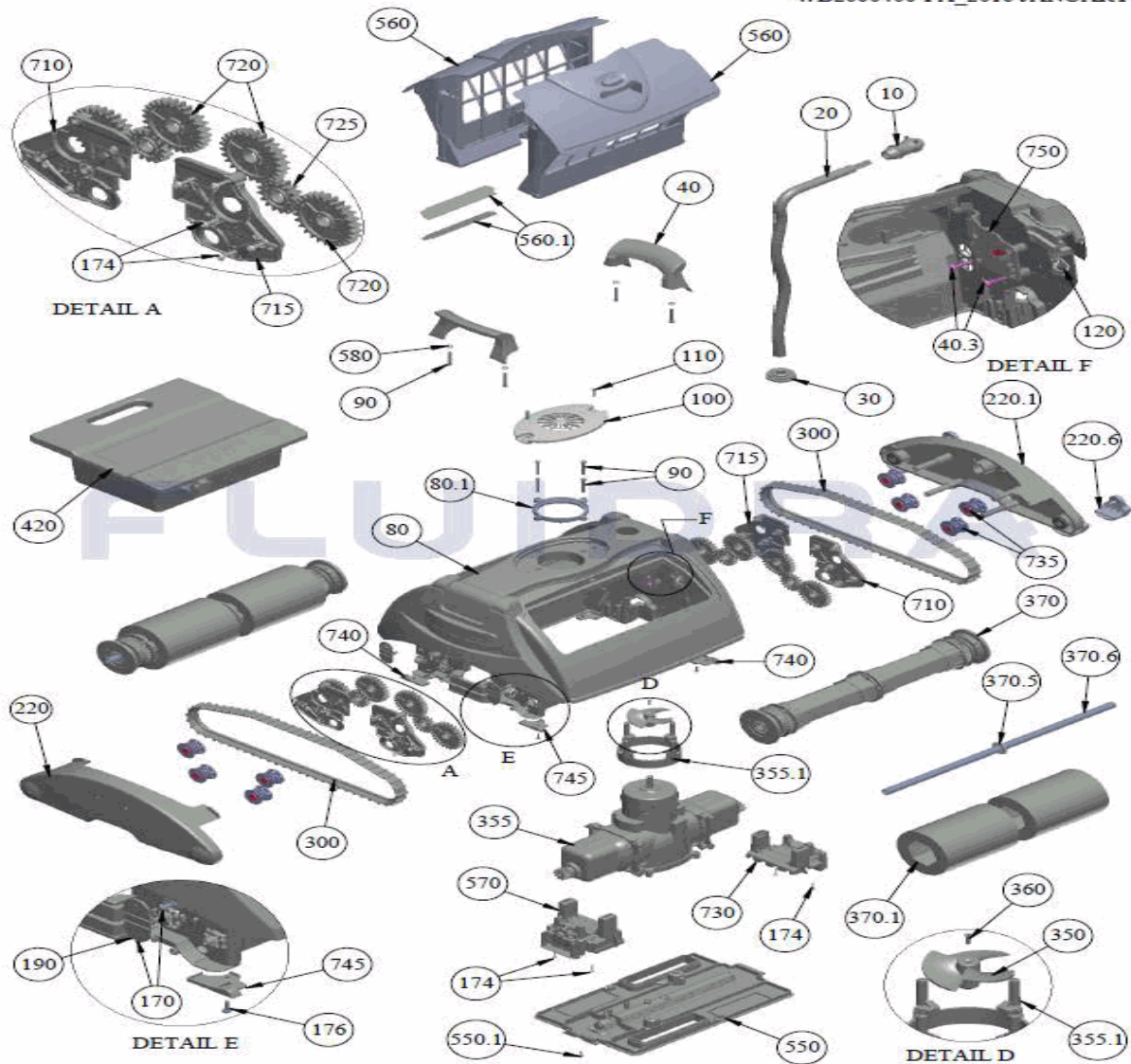
176	HW0004200	VITE EJOT PT KB30X10	550	AS1050304	BLOCCO COPERCHIO INFERIORE
190	PP0095300	ALETTA USCITA ACQUA	560	AS1051427	FILTRO DGFNAN
560.1	PP00672IV	FILTRO VALVOLA SUPERIORE	730	PP0093700	PONTE OMEGA
570	AS1050952	KIT SPAZZOLA VIBRANTE PER BREEZER	735	PP0095100	RULLO PER CINGHIA DENTATA
580	11065	RONDELLA M4 DIN-125-1A A2	740	PP0096500	PROTETTORE INFERIORE DESTRO
710	PP0097000	BOCCOLA PLACCA LATERALE SINISTRA	745	PP0096800	PROTETTORE INFERIORE SINISTRO
715	PP0096900	BOCCOLA PLACCA LATERALE DESTRA	750	PP0097200	FERMACAVI PER BREEZER
720	PP0093800	RUOTA DENTATA LATERALE GRANDE	shown	PL00008F	CONNETTORE ELETTRICO 4 PIN FEMMINA
725	PP0093900	RUOTA DENTATA LATERALE PICCOLA			

CODE **66024**

 BESCHREIBUNG: **BODENREINIGER CTX TYPHOON TOP 3 DUO**

REFD-NANB-T3D13 (2016)

WB2000400-PA_2016 JANUARY



DEUTSCH

POS	CODE	BESCHREIBUNG	MENGE	POS	CODE	BESCHREIBUNG	MENGE
10	ASPL00002M	STECKDOSE 4 ANSCHLÜSSE		220	AS1064700	SEITENPLAKETTE	
20	WA00222CGL	SCHWIMMERKABEL CG/18M/2C/EZ-SW/FA'		220,1	AS10647B1	SEITENPLAKETTE	
30	1623	FIXIERMUTTER KABEL		220,6	PP00213GY	DÜBEL SEITENDECKEL	
40	PP00463DGA	SET GRIFB OBN		300	PP00949CG	KETTENLEINE	
40,3	HW0007000	SCHRAUBE PT KA 50X20		350	PP00952GY	HELIX	
80	AS1014120	SET KÖRPER		355	AS2904130-SP	ZUGMOTOR	
80,1	PP0064500	DISTANZSTÜCK FÜR NANA		355,1	PP0096400	PUMPENZUBEHÖR BREEZER	
90	2500	SCHRAUBE FÜR PUMPENMOTOR		360	SW00069	SCHRAUBE FÜR ANTRIEBSSCHRAUBE	
100	PP00059DG	OBERER ABZUG		370	AS38254CG	FÖRDERROLLE	
110	5061	SCHRAUBE ABDECKUNG OBN		370,1	3009AG	BÜRSTE PVA GRAU (VORVERSION)	
120	HW0006700	BEFESTIGUNG KABEL		370,5	3603	UNTERLEGSSCHEIBE MITTIG ACHSE	
170	HW0006000	SCHRAUBE PT WN 1412		370,6	MP00234	ACHSE 424 MM	
174	HW0005800	SCHRAUBE EJOT PT KA 40X14 WN1412		420	AS2722402-SP	TRAF0 BASIC 180 W GRAU	

CODE **66024**

BESCHREIBUNG: **BODENREINIGER CTX TYPHOON TOP 3 DUO**

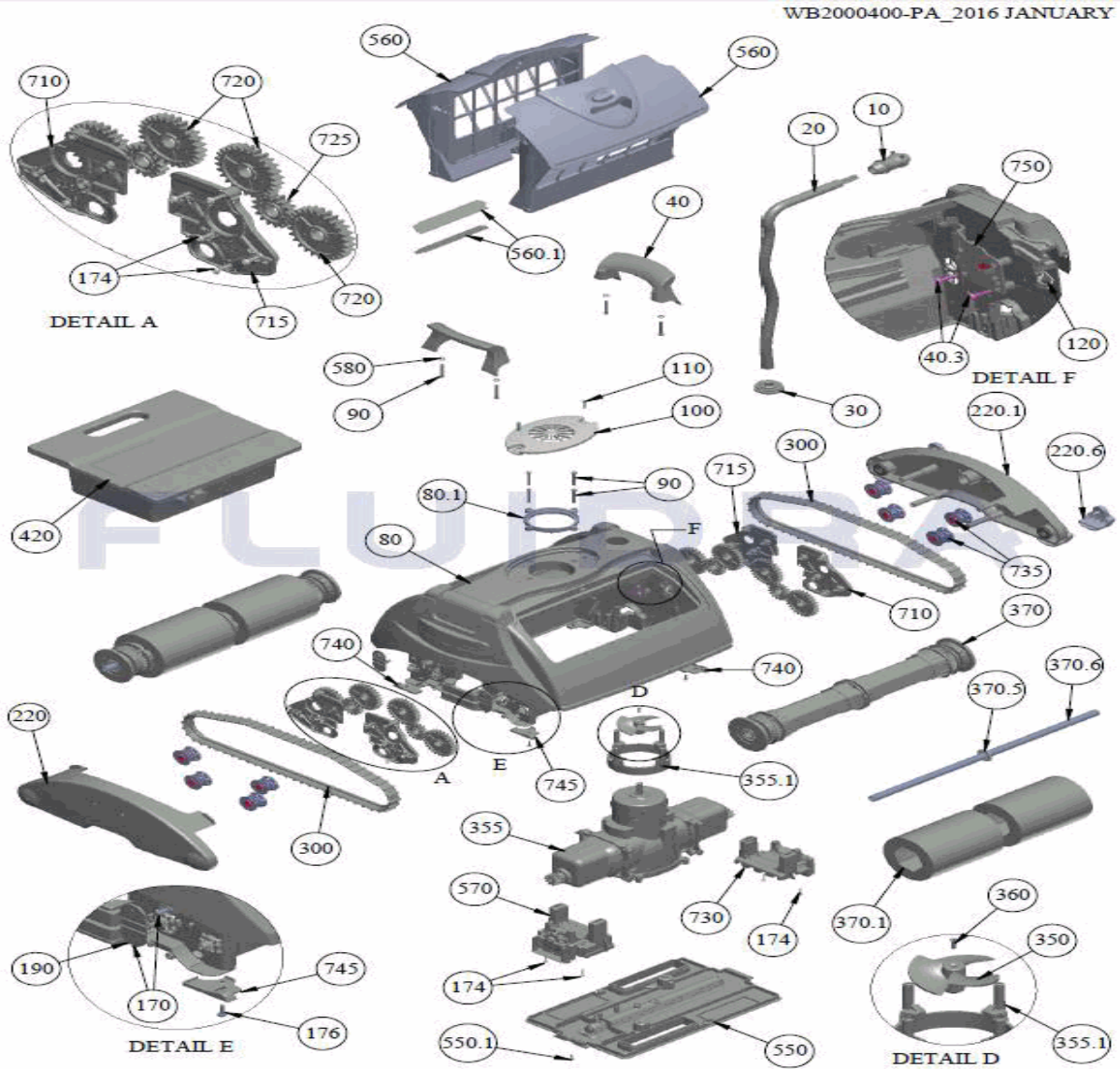
REFD-NANB-T3D13 (2016)

176	HW0004200	SCHRAUBE EJOT PT KB30X10	550	AS1050304	UNTERER GERÄTEDECKEL
190	PP0095300	KLAPPE WASSERAUSGANG	560	AS1051427	FILTER DGFNAN
560,1	PP00672IV	FILTER VENTIL OBEN	730	PP0093700	OMEGABRÜCKE
570	AS1050952	SET VIBRIERBÜRSTE FÜR BREEZER	735	PP0095100	ROLLE KETTENLEINE
580	11065	UNTERLEGSCHIBE D. 4 DIN-125 A2	740	PP0096500	SCHUTZVORRICHTUNG RECHTS UNTEN
710	PP0097000	BÜCHSE SEITENPLATTE LINKS	745	PP0096800	SCHUTZVORRICHTUNG LINKS UNTEN
715	PP0096900	BÜCHSE SEITENPLATTE RECHTS	750	PP0097200	KABELFÜHRUNG BREEZER
720	PP0093800	GROSSES SEITLICHES ZAHNRAD	shown	PL00008F	ELEKTRISCHER VERBINDER 4 PIN WEIBLIC
725	PP0093900	KLEINES SEITLICHES ZAHNRAD			

CODIGO **66024**

DESCRIÇÃO: LIMPADOR DE FUNDOS CTX TYPHOON TOP 3 DUO

REFD-NANB-T3D13 (2016)



PORTUGUES

POS	CODIGO	DESCRIÇÃO	JANTIDADE	POS	CODIGO	DESCRIÇÃO	JANTIDADE
10	ASPL00002M	FICHA DE 4 PINOS		220	AS1064700	PLACA LATERAL	
20	WA00222CGL	CONJUNTO CABO BOIA CG/18M/2C/EZ-SW		220.1	AS10647B1	PLACA LATERAL	
30	1623	ANEL ISOLANTE		220.6	PP00213GY	CUNHA TAMPA LATERAL	
40	PP00463DGA	CONJUNTO PEGA SUPERIOR		300	PP00949CG	CINTA DE LAGARTA	
40.3	HW0007000	PARAFUSO PT KA 50X20		350	PP00952GY	HÉLICE	
80	AS1014120	CONJUNTO CORPO		355	AS2904130-SP	MOTOR DE TRACÇÃO	
80.1	PP0064500	ESPAÇADOR PARA NANA 7 MM		355.1	PP0096400	ACESSÓRIOS BOMBA BREEZER	
90	2500	PARAFUSO 8 X 1,175 PH PN		360	SW00069	PARAFUSO M-3 X 10 PHIL DIN-965	
100	PP00059DG	SORTIE SUPÉRIEURE		370	AS38254CG	ROLO DE ARRASTO	
110	5061	PARAFUSO 6-32 X 5/8 S/S PH PA		370.1	3009AG	ESCOVA PVA CINZENTA (ANTIGA)	
120	HW0006700	FIXAÇÃO CABO		370.5	3603	ANILHA INTERMÉDIA DO EIXO	
170	HW0006000	PARAFUSO PT WN 1412		370.6	MP00234	EIXO 424 MM	
174	HW0005800	PARAFUSO EJOT PT KA 40X14 WN1412		420	AS2722402-SP	TRANSFORMADOR BÁSICO 180 W. CINZEN	

CODIGO **66024**

DESCRIÇÃO: **LIMPADOR DE FUNDOS CTX TYPHOON TOP 3 DUO**

REFD-NANB-T3D13 (2016)

176	HW0004200	PARAFUSO EJOT PT KB30X10	550	AS1050304	CONJUNTO TAMPA INFERIOR
190	PP0095300	BARBATANA SAÍDA DE ÁGUA	560	AS1051427	FILTRO DGFNAN
560,1	PP00672IV	FILTRO VÁLVULA SUPERIOR	730	PP0093700	PONTE OMEGA
570	AS1050952	CJTO. ESCOVA VIBRANTE PARA BREEZER	735	PP0095100	CILINDRO PARA CINTA DE LAGARTA
580	11065	ANILHA M4 DIN-125-1A A2	740	PP0096500	PROTETOR INFERIOR DIREITO
710	PP0097000	CASQUILHO PLACA LATERAL ESQUERDA	745	PP0096800	PROTETOR INFERIOR ESQUERDO
715	PP0096900	CASQUILHO PLACA LATERAL DIREITA	750	PP0097200	CERRA-CABOS PARA BREEZER
720	PP0093800	RODA DENTADA LATERAL GRANDE	shown	PL00008F	FICHA DE 4 PINOS FÊMEA
725	PP0093900	RODA DENTADA LATERAL PEQUENA			