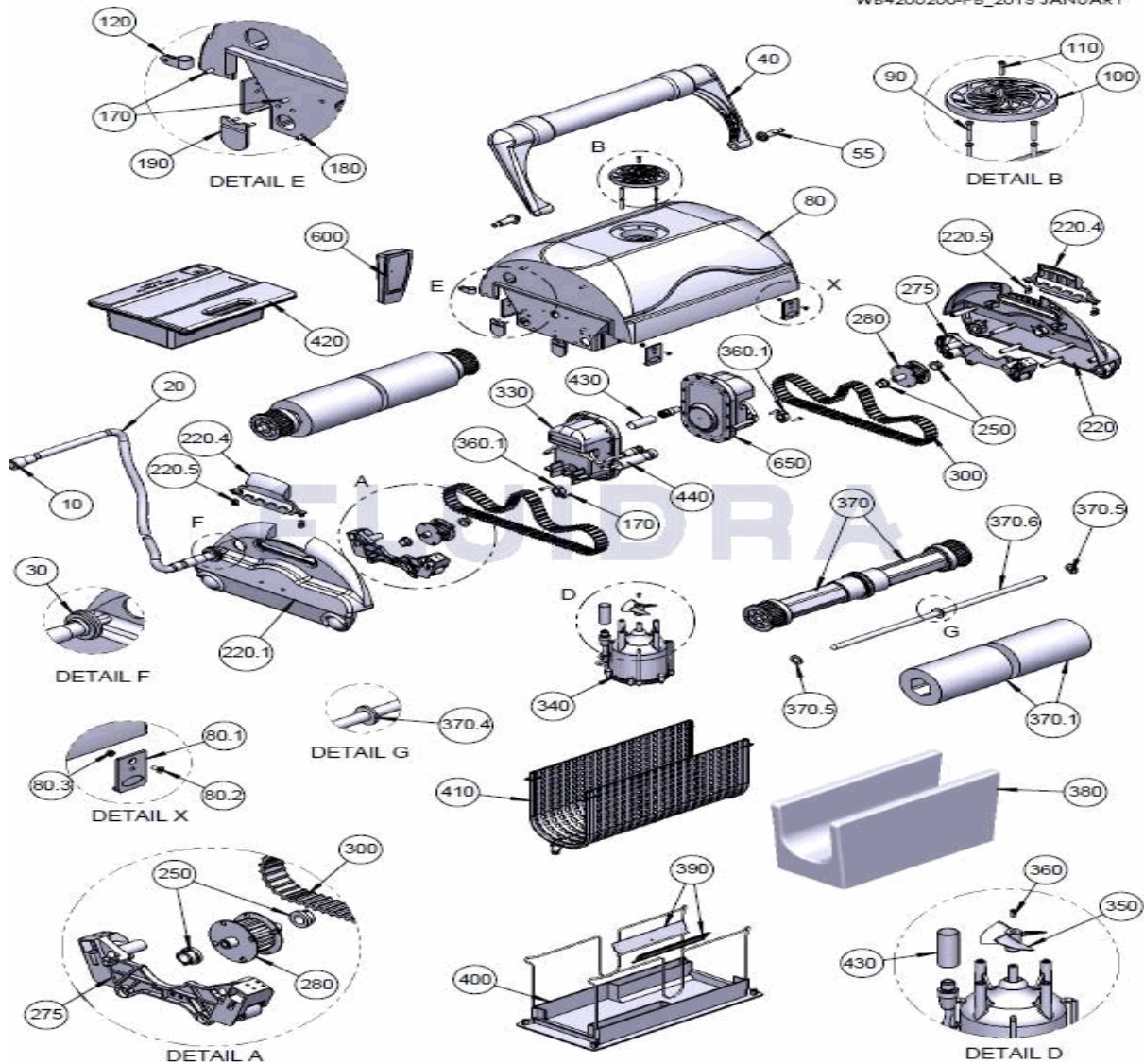


CODIGO **66015**

DESCRIPCION: LIMPIAFONDOS CLIMBING ULTRA 500

WB4200200-P8_2015 JANUARY



ESPAÑOL

POS	CODIGO	DESCRIPCION	CANTIDAD	POS	CODIGO	DESCRIPCION	CANTIDAD
10	ASPL00002M	ENCHUFE 4 TERMINALES		190	2305N	VALVULA DE GOMA	
20	WA00030CGL	CABLE FLOTADOR CG/30M/4C/EZ-SW/FAS		220	AS1066400	PLACA LATERAL	
30	PP0001623	JUNTA PASACABLES		220.1	AS1066450	PLACA LATERAL CON AGUJERO	
40	AS1049920	CONJUNTO MANGO		220.4	5088BL	PALANCA DE BLOQUEO	
55	SK00000BK	PASADOR COMPLETO PARA MANGO		220.5	5087	MUELLE	
80	AS1019910	CJTO. CUERPO		250	2613	RODAMIENTO DE EJES	
80.1	PP00046NT	TAPETA DE BLOQUEO		275	ASPP036200	SISTEMA DE TENSORES	
80.2	2303	TORNILLO M-4X10 S/S		280	AS2000500	CONJUNTO POLEA	
80.3	7133	TUERCA BLOQUEO HEX. M-4 S/S		300	RB00098GY	CORREA DE TRACCION	
90	2500	TORNILLO PARA MOTOR BOMBA		330	AS08705D-SP	MOTOR DE TRACCION (FORMA D)	
100	5093CG	TAPA SUPERIOR		340	AS00035R-SP	MOTOR DE BOMBEO	
110	5061	TORNILLO DE TAPA SUPERIOR		350	P00038	HELICE	
120	2105	SUJECION CABLE		360	SW00069	TORNILLO PARA HELICE	

CODIGO **66015**

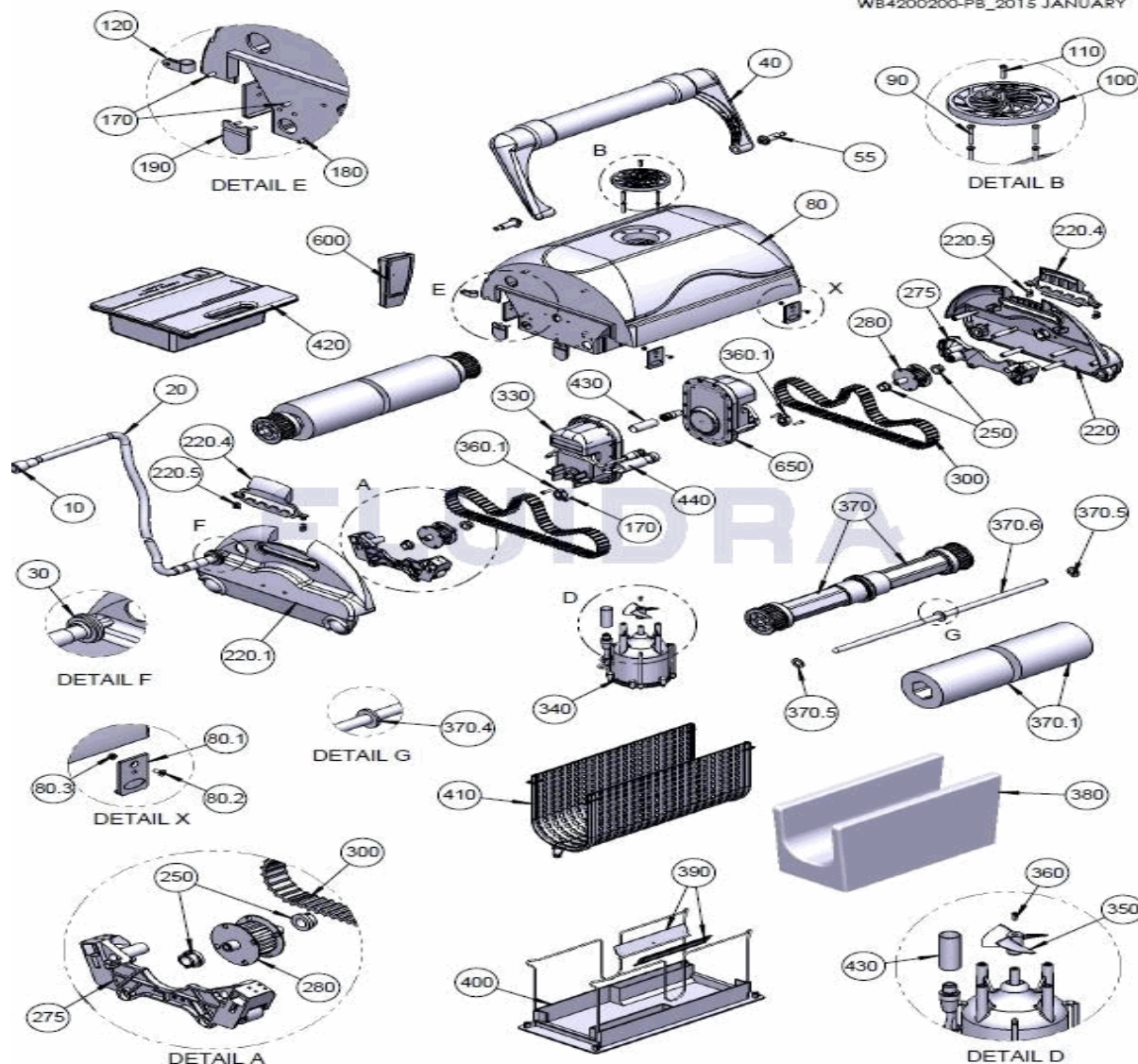
DESCRIPCION: LIMPIAFONDOS CLIMBING ULTRA 500

170	2700	TORNILLO SUPERIOR LATERAL	370	A38213BL	CONJUNTO RODILLO
180	2701	TORNILLO INFERIOR LATERAL	370.1	3008AG	CEPILLO PVA
370.4	A2607PK	ARANDELA EXTREMOS EJE 4 PK	430	AS110162506	TUBO RETRACTIL 20/6 (60mm)
370.5	3603	ARANDELA INTERMEDIA DE EJE	440	AS111161408	TUBO RETRACTIL 1614 (80mm)
370.6	MP00164	EJE RUEDAS 511 MM	600	RC0100500	CONTROL REMOTO
380	8101	BOLSA FILTRO	650	AS08694D-SP	MOTOR ESCLAVO (FORMA D)
390	PP0017700	TAPA VALVULA INFERIOR MAGNUM	Not shown	4613	PASADOR CON RANURA
400	BS6500200	TAPA INFERIOR	Not shown	PL00008F	CONECTOR ELECTRICO 4 PIN HEMBRA
410	AS09224	CJTO. REJILLA FILTRO	Not shown	PP0005000	FLOTADOR MOTOR
420	AS2722810-SP	TRANSFORMADOR			

CODE 66015

DESCRIPTION: NETTOYEUR DE FOND CLIMBING ULTRA 500

WB4200200-PS_2015 JANUARY



FRANCAIS

POS	CODE	DESCRIPTION	QUANTITE	POS	CODE	DESCRIPTION	QUANTITE
10	ASPL00002M	PRISE À 4 FICHES		190	2305N	VALVE CAOUTCHOUTÉE	
20	WA00030CGL	CÂBLE FLOTTANT CG/30M/4C/EZ-SW/FAST		220	AS1066400	PLAQUE LATÉRALE	
30	PP0001623	(not defined)		220.1	AS1066450	PLAQUE LATÉRALE AVEC ORIFICE	
40	AS1049920	ENSEMBLE MANCHE		220.4	5088BL	LEVIER DE BLOCAGE	
55	SK00000BK	BROCHE COMPLÈTE POUR MANCHE		220.5	5087	RESSORT	
80	AS1019910	ENSEMBLE CORPS		250	2613	BAGUE EN MOLYBDÈNE	
80.1	PP00046NT	PATTE DE BLOCAGE		275	ASPP036200	SYSTÈME DE TENSION	
80.2	2303	VIS M-4X10 S/S		280	AS2000500	ENSEMBLE POULIE	
80.3	7133	BOULON HEX. VEROU M-4 S/S		300	RB00098GY	COURROIE DE TRACTION	
90	2500	VIS 8X1,175 PH PN		330	AS08705D-SP	MOTEUR DE TRACTION (FORME D)	
100	5093CG	SORTIE SUPÉRIEURE		340	AS00035R-SP	MOTEUR DE LA POMPE	
110	5061	VIS 6-32X5/8 S/S PH PA		350	P00038	HÉLICE	
120	2105	FIXATION CÂBLE		360	SW00069	VIS M-3X10 PHIL DIN-965	

CODE **66015**

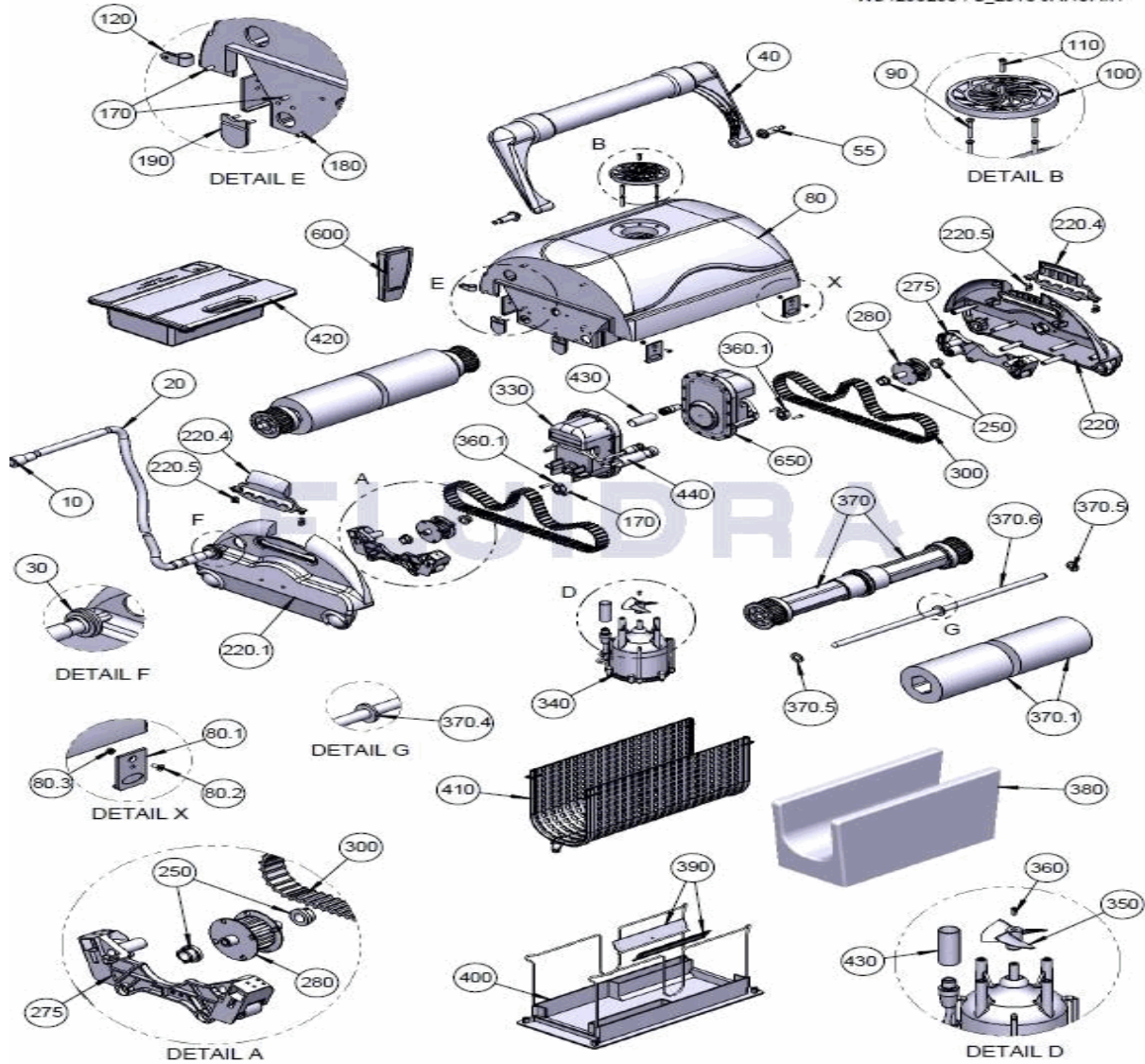
DESCRIPTION: **NETTOYEUR DE FOND CLIMBING ULTRA 500**

170	2700	VIS 8X11/16 PHIL PN	370	A38213BL	ENSEMBLE ROULEAU
180	2701	VIS 8X11/16PHIL PN	370.1	3008AG	BROSSE PVA
370.4	A2607PK	RONDELLE D'EXTRÉMITÉ D'ARBRE	430	AS110162506	TUBE RÉTRACTABLE 20/6 (60MM)
370.5	3603	RONDELLE INTERMÉDIAIRE AXE	440	AS111161408	TUBE RÉTRACTABLE 1614 (80MM)
370.6	MP00164	AXE ROUES 511 MM	600	RC0100500	TÉLÉCOMMANDE
380	8101	SAC FILTRANT	650	AS08694D-SP	MOTEUR ESCLAVE (FORME D)
390	PP0017700	COUVERCLE VANNE INFÉRIEURE MAGNUI	Not shown	4613	GOUPILLE À RAINURE
400	BS6500200	COUVERCLE INFÉRIEUR	Not shown	PL00008F	CONNECTEUR ÉLECTRIQUE 4 BROCHES F
410	AS09224	ENS. GRILLE ET FILTRE	Not shown	PP0005000	FLOTTEUR MOTEUR
420	AS2722810-SP	TRANSFORMATEUR			

CODE **66015**

DESCRIPTION: **POOL CLEANER CLIMBING ULTRA 500**

WB4200200-P8_2015 JANUARY



ENGLISH

POS	CODE	DESCRIPTION	QUANTITY	POS	CODE	DESCRIPTION	QUANTITY
10	ASPL00002M	4 PIN PLUG		190	2305N	RUBBER VALVE	
20	WA00030CGL	FLOAT CABLE CG/30M/4C/EZ-SW/FAST		220	AS1066400	SIDE PLATE, ROUND,	
30	PP0001623	SEALING GROMMET		220.1	AS1066450	SIDE PLATE WITH HOLE	
40	AS1049920	HANDLE ASSEMBLY		220.4	5088BL	HANDLE LOCK	
55	SK00000BK	PIN ASSY FOR HANDLE		220.5	5087	SPRING	
80	AS1019910	BODY ASSEMBLY		250	2613	MOLYBDENUM BUSHING	
80.1	PP00046NT	LOCK TAB		275	ASPP036200	TENSION SYSTEM	
80.2	2303	SCREW M-4X10 S/S		280	AS2000500	PULLEY ASSY	
80.3	7133	HEX. NUT LOCK M-4 S/S		300	RB00098GY	DRIVE BELT	
90	2500	SCREW 8X1,175 PH PN		330	AS08705D-SP	DRIVE MOTOR (FORM D)	
100	5093CG	OUTLET TOP		340	AS00035R-SP	PUMP MOTOR	
110	5061	SCREW 6-32X5/8 S/S PH PA		350	P00038	PROPELLER	
120	2105	CABLE RETAINER SOPHIA		360	SW00069	SCRERW M-3X10 PHIL DIN-965	

CODE **66015**

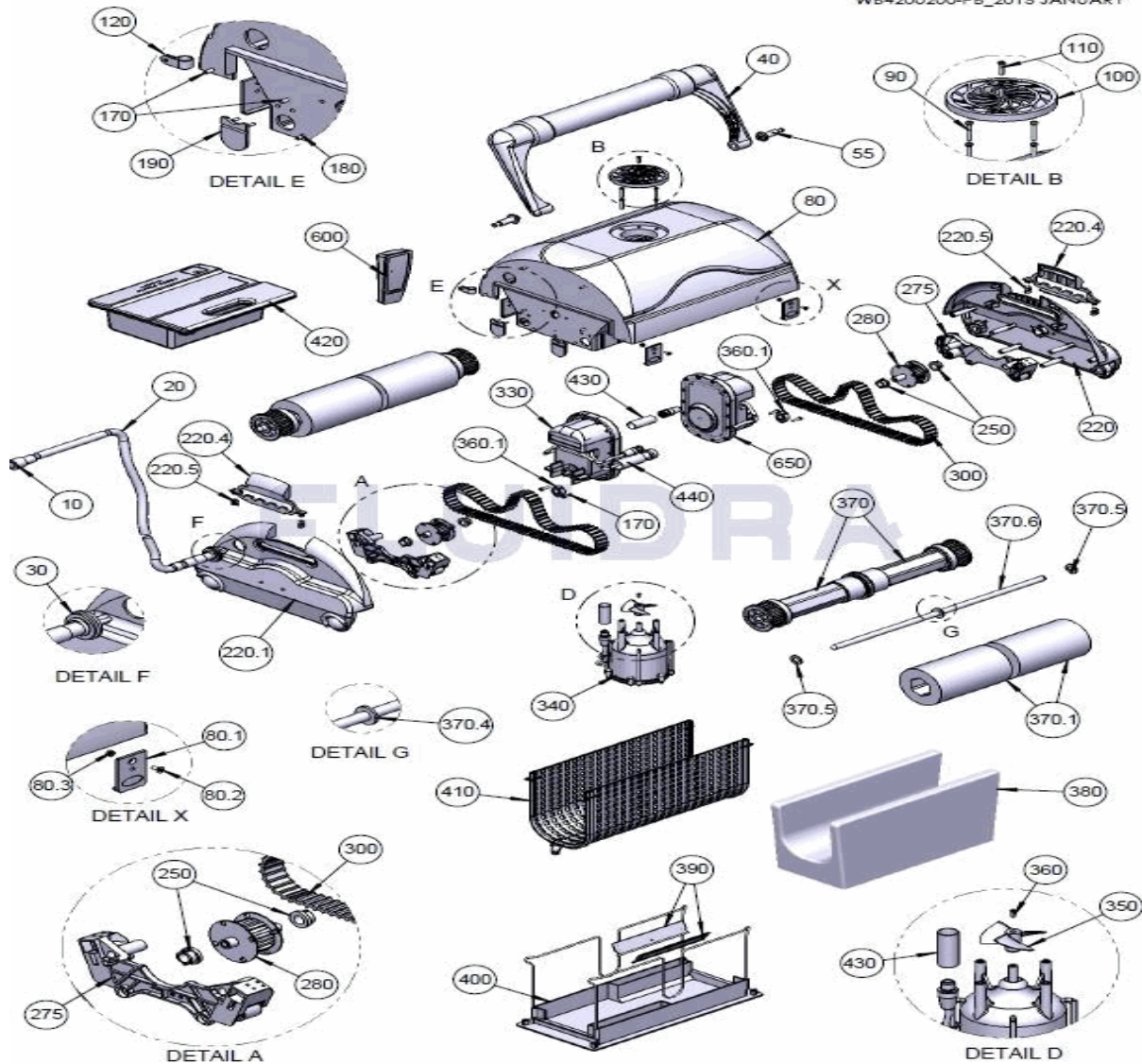
DESCRIPTION: **POOL CLEANER CLIMBING ULTRA 500**

170	2700	SCREW 8X11/16 PHIL PN	370	A38213BL	WHEEL TUBE ASSY
180	2701	SCREW 8X11/16PHIL PN	370.1	3008AG	PVA BRUSH
370.4	A2607PK	DELRIN WASHER 4 PK	430	AS110162506	SHRINK TUBE 20/6 (60MM)
370.5	3603	FLAT DELRIN WASHER	440	AS111161408	SHRINK TUBE 1614 (80MM)
370.6	MP00164	AXLE 511 MM FOR WHEEL	600	RC0100500	RC RES IDP INTEG RAD
380	8101	FILTER BAG	650	AS08694D-SP	ENGINE SLAVE (FORM D)
390	PP0017700	BOTTOM LID VALVE MAGNUM	Not shown	4613	GROOVE PIN 1/8X5/8 S/S
400	BS6500200	LOWER COVER	Not shown	PL00008F	CONNECTOR 4 PIN FEMALE
410	AS09224	FILTER SCREEN ASSY	Not shown	PP0005000	FLOAT FOR MOTOR
420	AS2722810-SP	POWER SUPPLY			

CODICE 66015

DESCRIZIONE: PULISCIFONDI CLIMBING ULTRA 500

WB4200200-P8_2015 JANUARY



ITALIANO

POS	CODICE	DESCRIZIONE	QUANTITA'	POS	CODICE	DESCRIZIONE	QUANTITA'
10	ASPL00002M	PRESA A QUATTRO SPINE		190	2305N	VALVOLA DI GOMMA	
20	WA00030CGL	CAVO GALLEGGIANTE CG/30M/4C/EZ-SW/I		220	AS1066400	PLACCA LATERALE	
30	PP0001623	(not defined)		220.1	AS1066450	PLACCA LATERALE CON FORO	
40	AS1049920	INSIEME MANICO		220.4	5088BL	LEVA DI BLOCCO	
55	SK00000BK	PASSANTE COMPLETO PER MANICO		220.5	5087	MOLLA	
80	AS1019910	GRUPPO CORPO		250	2613	BOCCOLA IN MOLYBDENUM	
80.1	PP00046NT	CAPPUCCIO DI BLOCCAGGIO		275	ASPP036200	SISTEMA DI TENSORI	
80.2	2303	VITE M-4X10 S/S		280	AS2000500	BLOCCO PULEGGIA	
80.3	7133	DADO DI SICUREZZA ESAG. M-4 S/S		300	RB00098GY	CINGHIA DI TRASMISSIONE	
90	2500	VITE 8X1,175 PH PN		330	AS08705D-SP	MOTORE DI TRAZIONE (FORMA D)	
100	5093CG	SORTIE SUPÉRIEURE		340	AS00035R-SP	INIETTORE A POMPA	
110	5061	VITE 6-32X5/8 S/S PH PA		350	P00038	ELICA	
120	2105	ATTACCO CAVO		360	SW00069	VITE M-3X10 PHIL DIN-965	

CODICE **66015**

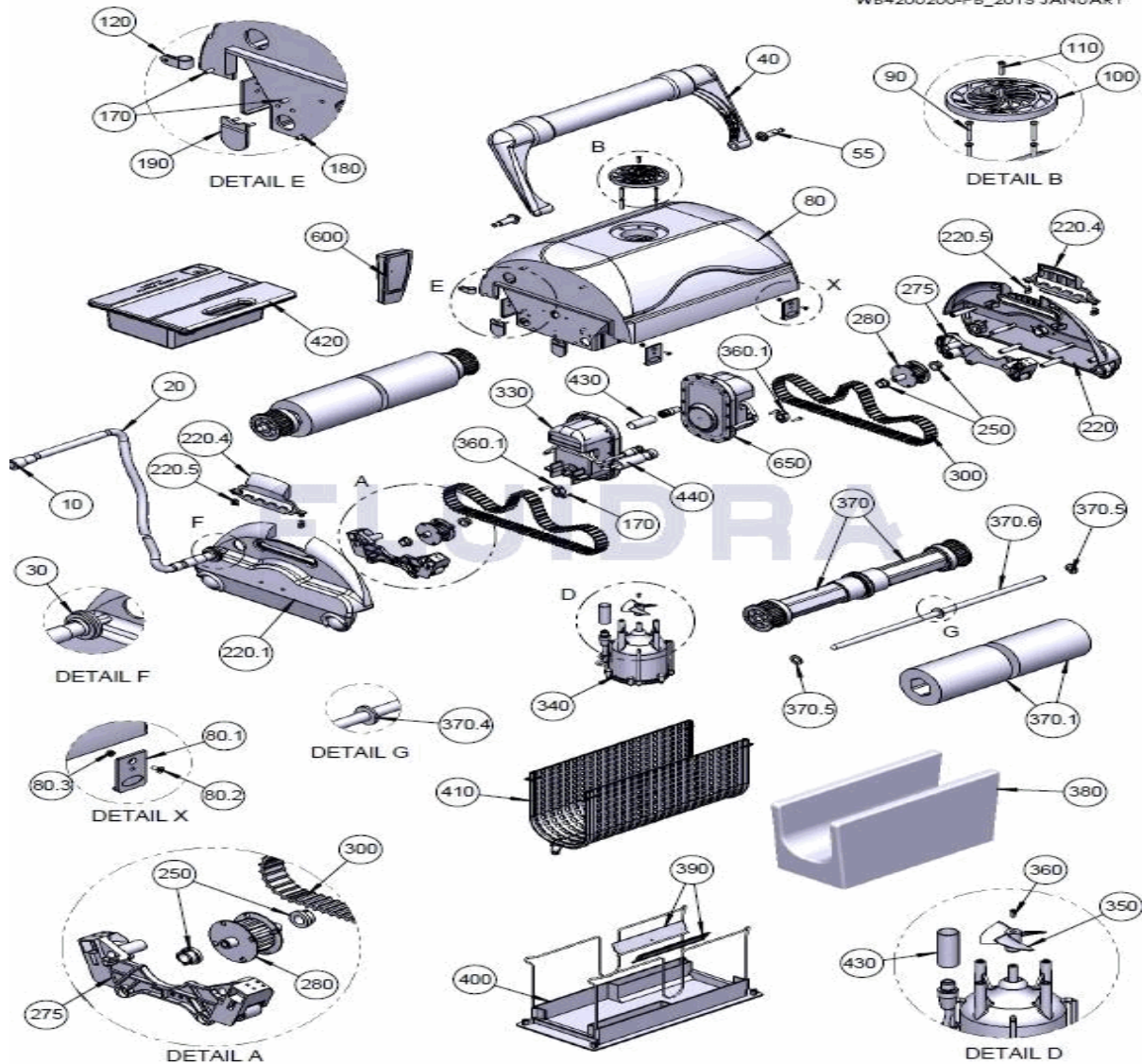
DESCRIZIONE: **PULISCIFONDI CLIMBING ULTRA 500**

170	2700	VITE 8X11/16 PHIL PN	370	A38213BL	KIT RULLO
180	2701	VITE 8X11/16 PHIL PN	370,1	3008AG	SPAZZOLA PVA
370,4	A2607PK	RONDELLA ESTREMITÀ ALBERO	430	AS110162506	TUBO RETRACTIL 20/6 (60MM)
370,5	3603	RONDELLA INTERMEDIA DI ASSE	440	AS111161408	TUBO RETRACTIL 1614 (80MM)
370,6	MP00164	ASSE RUOTE 511 MM	600	RC0100500	CONTROLLO REMOTO
380	8101	BORSA FILTRO	650	AS08694D-SP	MOTORE SLAVE (FORMA D)
390	PP0017700	COPERCHIO VALVOLA INFERIORE MAGNU	Not shown	4613	COPPIGLIA CON SCANALATURA
400	BS6500200	COPERTURA INFERIORE	Not shown	PL00008F	CONNETTORE ELETTRICO 4 PIN FEMMINA
410	AS09224	INSIEME GRIGLIA FILTRO	Not shown	PP0005000	GALLEGGIANTE MOTORE
420	AS2722810-SP	TRASFORMATORE			

CODE 66015

BESCHREIBUNG: BODENREINIGER CLIMBING ULTRA 500

WB4200200-P8_2015 JANUARY



DEUTSCH

POS	CODE	BESCHREIBUNG	MENGE	POS	CODE	BESCHREIBUNG	MENGE
10	ASPL00002M	STECKDOSE 4 ANSCHLÜSSE		190	2305N	GUMMIVENTIL	
20	WA00030CGL	SCHWIMMERKABEL CG/30M/4C/EZ-SW/FA'		220	AS1066400	SEITENPLAKETTE	
30	PP0001623	(not defined)		220.1	AS1066450	SEITLICHE PLAKETTE MIT LOCH	
40	AS1049920	SET GRIFF		220.4	5088BL	SPERRVERRIEGELUNG	
55	SK00000BK	BÜGEL KOMPLETT FÜR GRIFF		220.5	5087	FEDER	
80	AS1019910	SET KÖRPER		250	2613	WÄLZLAGER AXHSEN	
80.1	PP00046NT	BLOCKIERERDECKEL		275	ASPP036200	SPANNSYSTEM	
80.2	2303	SCHRAUBE M4X10 S/S		280	AS2000500	ANTRIEBSSCHEIBE GERÄT	
80.3	7133	HEX. SCHLIESSMUTTER M-4 S/S		300	RB00098GY	ANTRIEBSRIEMEN	
90	2500	SCHRAUBE FÜR PUMPENMOTOR		330	AS08705D-SP	ZUGMOTOR (D-FORM)	
100	5093CG	OBERER ABZUG		340	AS00035R-SP	PUMP MOTOR	
110	5061	SCHRAUBE ABDECKUNG OBEN		350	P00038	ANTRIEBSSCHRAUBE	
120	2105	BEFESTIGUNG KABEL		360	SW00069	SCHRAUBE FÜR ANTRIEBSSCHRAUBE	

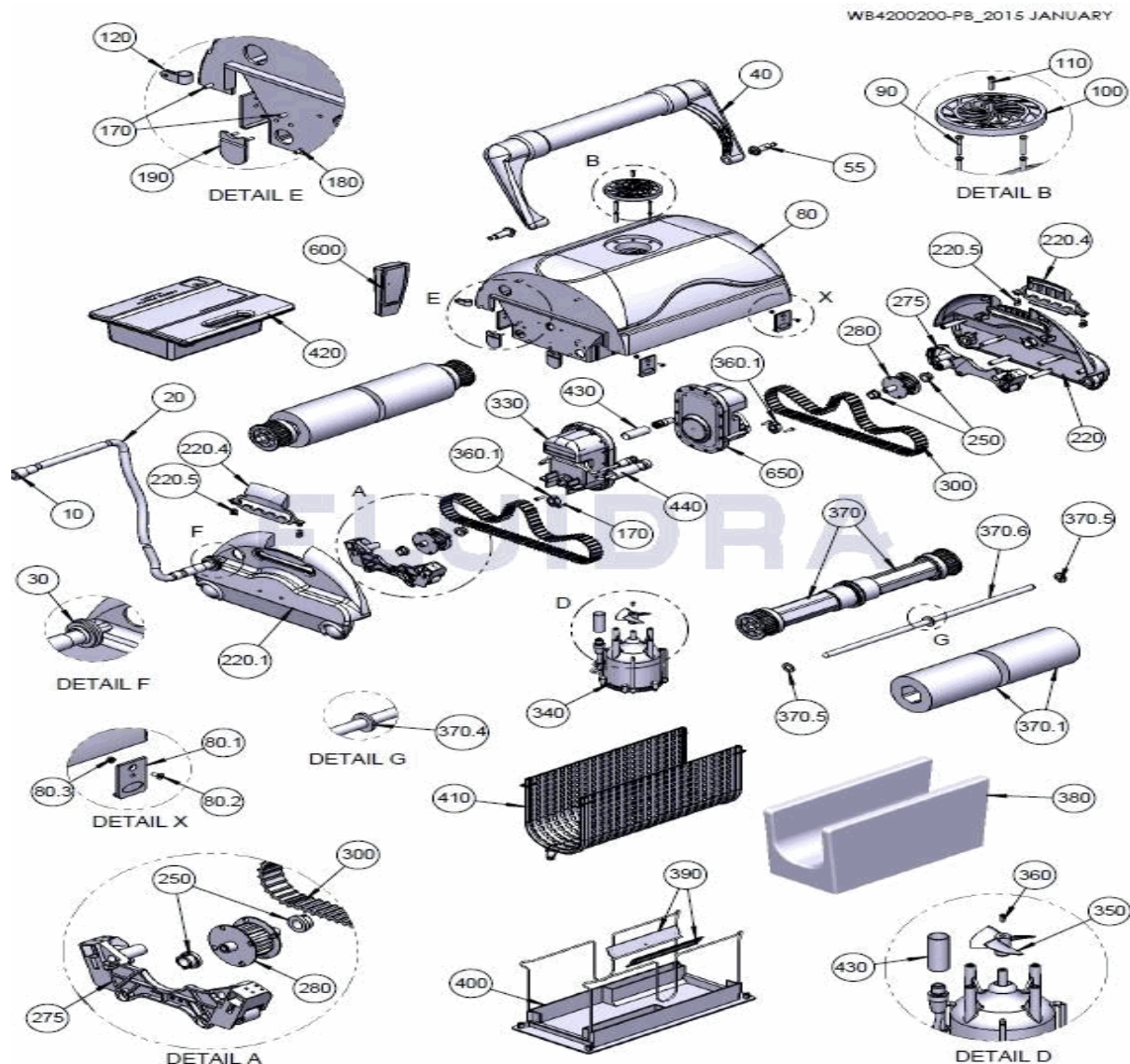
CODE **66015**

BESCHREIBUNG: **BODENREINIGER CLIMBING ULTRA 500**

170	2700	SCHRAUBE OBEN SEITLICH	370	A38213BL	ROLLENSET
180	2701	SCHRAUBE UNTEN SEITLICH	370,1	3008AG	PVA-BÜRSTE
370,4	A2607PK	WELLENENDWASCHMASCHINE	430	AS110162506	EINLAUFROHR 20/6 (60MM)
370,5	3603	UNTERLEGSCHIEBE MITTIG ACHSE	440	AS111161408	EINLAUFROHR 1614 (80MM)
370,6	MP00164	ACHSE RÄDER 511 MM	600	RC0100500	FERNBEDIENUNG
380	8101	FILTERBEUTEL	650	AS08694D-SP	HILFSMOTOR (D-FORM)
390	PP0017700	DECKEL INNERES VENTIL MAGNUM	Not shown	4613	STIFT MIT SCHLITZ
400	BS6500200	UNTERER DECKEL	Not shown	PL00008F	ELEKTRISCHER VERBINDER 4 PIN WEIBLIC
410	AS09224	SET GITTERFILTER	Not shown	PP0005000	SCHWIMMTEIL MOTOR
420	AS2722810-SP	TRANSFORMATOR			

CODIGO **66015**

DESCRIÇÃO: **LIMPADOR DE FUNDOS CLIMBING ULTRA 500**



PORTUGUES

POS	CODIGO	DESCRIÇÃO	JANTIDADE	POS	CODIGO	DESCRIÇÃO	JANTIDADE
10	ASPL00002M	FICHA DE 4 PINOS		190	2305N	VÁLVULA DE BORRACHA	
20	WA00030CGL	CONJUNTO CABO BOIA CG/30M/4C/EZ-SW		220	AS1066400	PLACA LATERAL	
30	PP0001623	(not defined)		220.1	AS1066450	PLACA LATERAL COM ORIFÍCIO	
40	AS1049920	CONJUNTO PEGA		220.4	5088BL	ALAVANCA DE BLOQUEIO	
55	SK00000BK	PASSADOR COMPLETO PARA PEGA		220.5	5087	MOLA	
80	AS1019910	CONJUNTO CORPO		250	2613	BUCHA MOLIBDÊNIO	
80.1	PP00046NT	PLACA DE BLOQUEIO		275	ASPP036200	SISTEMA DE TENSORES	
80.2	2303	PARAFUSO M-4X10 S/S		280	AS2000500	CONJUNTO ROLDANA	
80.3	7133	CONTRAPORCA HEX. M-4 S/S		300	RB00098GY	CORREIA DE TRANSMISSÃO	
90	2500	PARAFUSO 8 X 1,175 PH PN		330	AS08705D-SP	MOTOR DE TRACÇÃO (FORMA D)	
100	5093CG	SORTIE SUPÉRIEURE		340	AS00035R-SP	BOMBA MOTOR	
110	5061	PARAFUSO 6-32 X 5/8 S/S PH PA		350	P00038	HÉLICE	
120	2105	FIXAÇÃO CABO		360	SW00069	PARAFUSO M-3 X 10 PHIL DIN-965	

CODIGO 66015

DESCRIÇÃO: LIMPADOR DE FUNDOS CLIMBING ULTRA 500

170	2700	PARAFUSO 8 X 11/16 PHIL PN	370	A38213BL	CONJUNTO CILINDRO
180	2701	PARAFUSO 8 X 11/16 PHIL PN	370.1	3008AG	ESCOVA PVA
370.4	A2607PK	LAVADORA DE EXTREMIDADE DO EIXO	430	AS110162506	TUBO ENCOLHÍVEL 20/6 (60MM)
370.5	3603	ANILHA INTERMÉDIA DO EIXO	440	AS111161408	TUBO ENCOLHÍVEL 16/4 (80MM)
370.6	MP00164	EIXO RODAS 511 MM	600	RC0100500	CONTROLO REMOTO
380	8101	BOLSA FILTRO	650	AS08694D-SP	MOTOR ESCRAVO (FORMA D)
390	PP0017700	TAMPA VÁLVULA INFERIOR MAGNUM	Not shown	4613	PASSADOR COM RANHURA
400	BS6500200	TAMPA INFERIOR	Not shown	PL00008F	FICHA DE 4 PINOS FÊMEA
410	AS09224	CJTO. GRELHA FILTRO	Not shown	PP0005000	BOIA MOTOR
420	AS2722810-SP	TRANSFORMADOR			