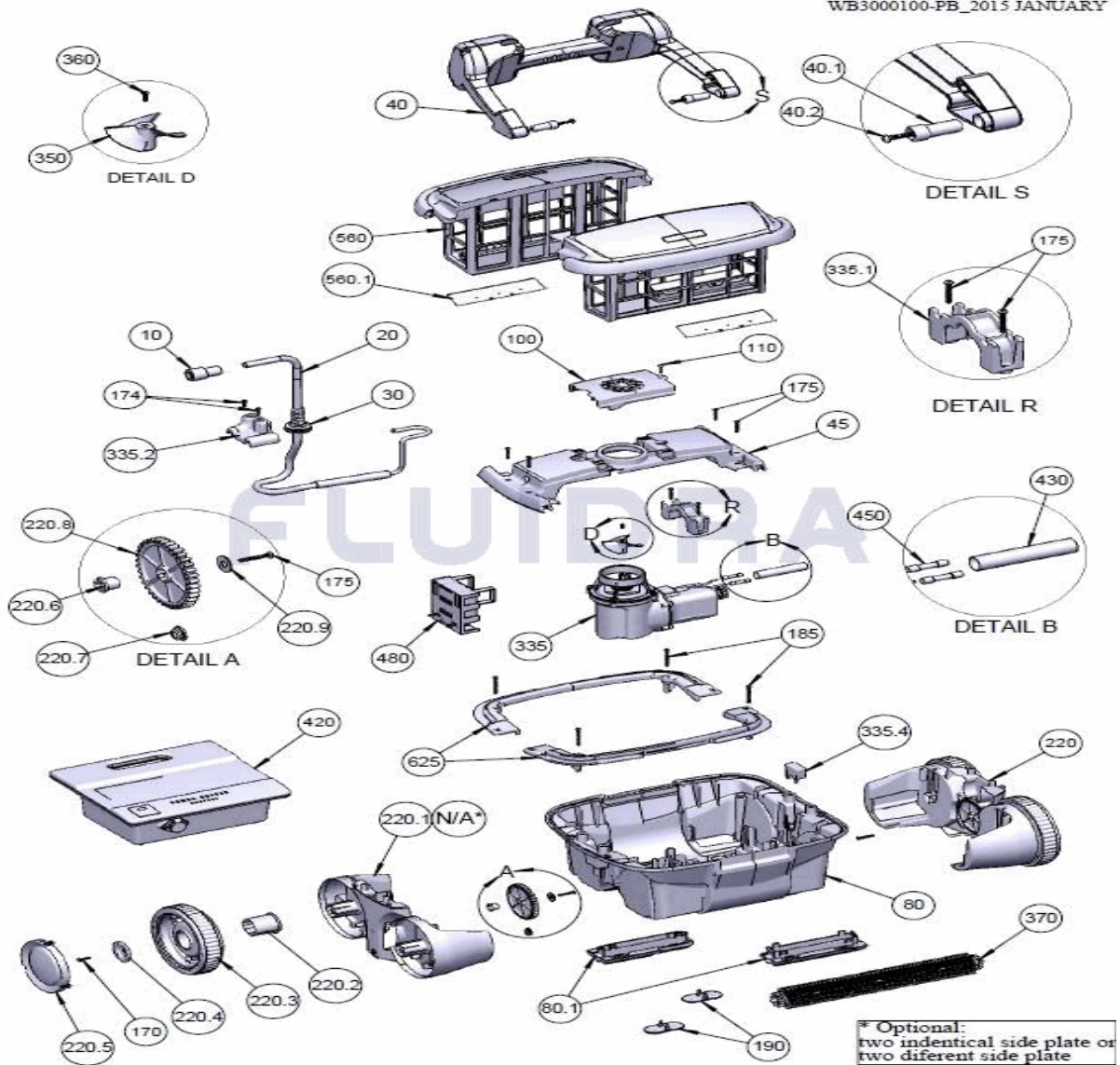


CODIGO **66027**

DESCRIPCION: **LIMPIAFONDOS MAX 3 +**

WB3000100-PB\_2015 JANUARY



**ESPAÑOL**

POS	CODIGO	DESCRIPCION	CANTIDAD	POS	CODIGO	DESCRIPCION	CANTIDAD
10	ASPL00002M	ENCHUFE 4 TERMINALES		190	PP0039600	VALVULA DE CAUCHO	
20	WA00325CGLA	CABLE FLOTADOR CG/16M/2C/EL-SW		220	AS2804001	CJTO. TAPA LATERAL	
30	PP00589BK	PASACABLES CABLE 16 AWG		220.2	PP0038200	CASQUILLO RUEDA SOPHIA	
40	AS2803100	CJTO. ASA		220.3	SA0016414	RUEDA CON TAPA + PVA	
40.1	PP0038700	EJE MANGO		220.4	PP0042100	RUEDA TRACCION	
40.2	HW0006100	TORNILLO PT WN 1412		220.5	PP00386DG	TAPON RUEDA	
45	ASPP00365DB	CARCASA SUPERIOR		220.6	PP0042000	COJINETE RUEDA CENTRAL DENTADA	
80	SA0015200	CARCASA INFERIOR		220.7	PP0037400	RODAMIENTO PARA SOPHIA	
80.1	SA0016901	CJTO. ENTRADA		220.8	PP0039000	RUEDA CENTRAL DENTADA	
100	PP00369DB	TAPA SUPERIOR		220.9	HW0006600	ARANDELA PLANA 5/16N	
110	5061	TORNILLO DE TAPA SUPERIOR		335	AS2801620-SP	CJTO. MOTOR MAX 3 (2013)	
170	2700	TORNILLO SUPERIOR LATERAL		335.1	PP0037900	SOPORTE MOTOR	
174	HW0005800	TORNILLO EJOT PT KA 40X14 WN1412		335.2	PP0038000	SUJECION CABLE	

CODIGO **66027**

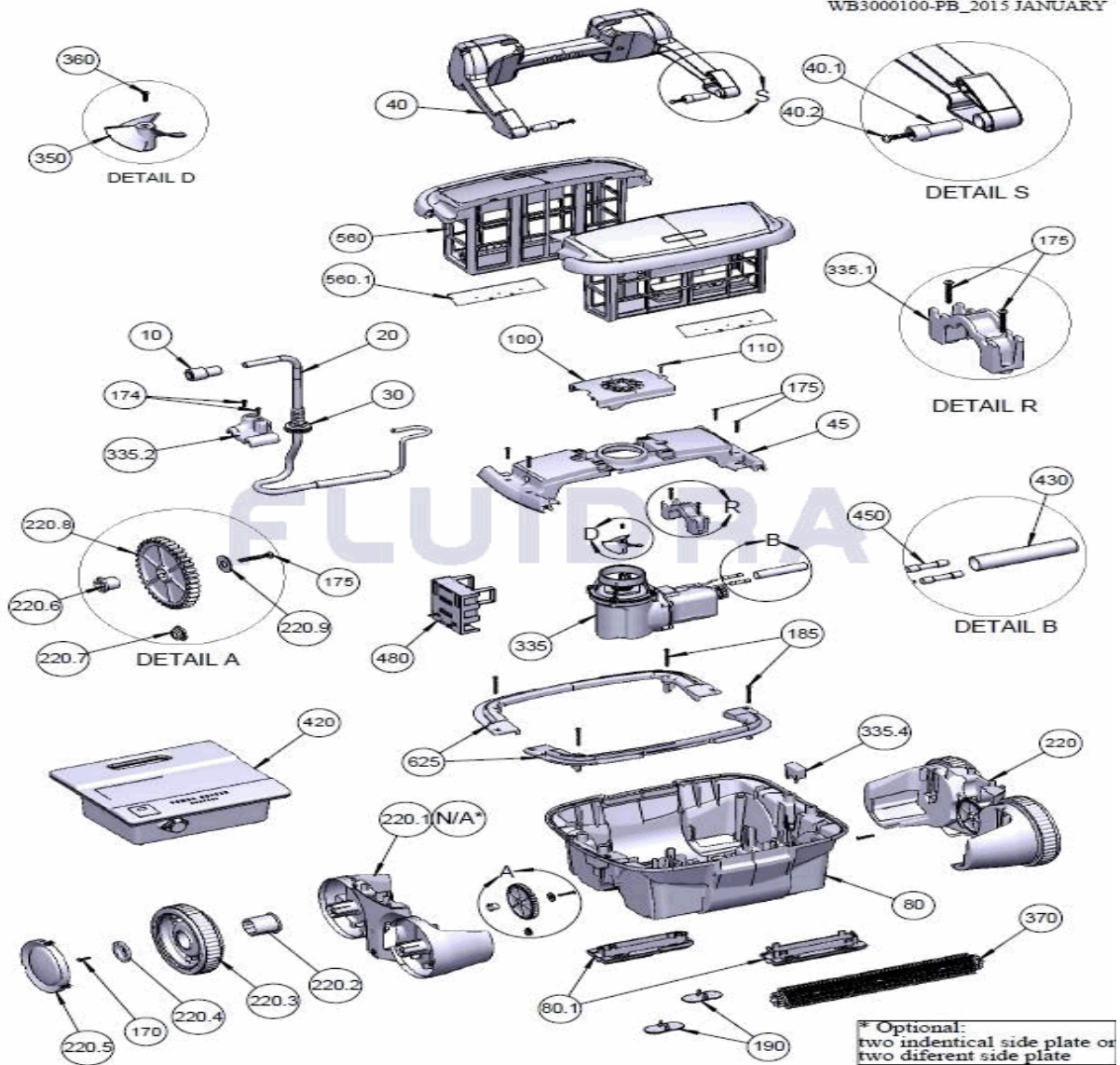
DESCRIPCION: LIMPIAFONDOS MAX 3 +

175	HW0005100	TORNILLO PT KA 40X25	335,4	PP0037600	JUNTA RUEDA DENTADA SOPHIA
185	HW0006000	TORNILLO PT WN 1412	350	P00038	HELICE
360	SW00069	TORNILLO PARA HELICE	480	AS8007000-SP	CJTO. FLOTACION
370	AS2802420	CJTO. CEPILLO	560	AS2802318	FILTRO DBFSOF
420	AS2722402-SP	TRANSFORMADOR BASICO 180W GRIS	560,1	PP00381IV	TAPETA FILTRO CARCASA
430	AS110011010	TUBO RETRACTIL 16/4 WCSM	625	PP00364DB	MARCO SUPERIOR
450	5473	CONECTOR RETRÁCTIL ROJO	N/S	AS110300001	SELLANTE BUTIL MASTIC

CODE 66027

DESCRIPTION: NETTOYEUR DE FOND MAX 3 +

WB3000100-PB\_2015 JANUARY



FRANCAIS

POS	CODE	DESCRIPTION	QUANTITE	POS	CODE	DESCRIPTION	QUANTITE
10	ASPL00002M	PRISE À 4 FICHES		190	PP0039600	SOUPAPE EN CAOUTCHOUC	
20	WA00325CGLA	CÂBLE FLOTTANT CG/16M/2C/EL-SW		220	AS2804001	COUVERCLE LATÉRAL	
30	PP00589BK	FOURREAU CÂBLE 16 AWG		220.2	PP0038200	BAGUE ROUE SOPHIA	
40	AS2803100	ENS. POIGNÉE		220.3	SA0016414	ROUE	
40.1	PP0038700	AXE MANCHE		220.4	PP0042100	ROUE TRACTION	
40.2	HW0006100	VIS PT WN 1412		220.5	PP00386DG	BOUCHON ROUE	
45	ASPP00365DB	CARCASSE SUPÉRIEURE		220.6	PP0042000	COUSSINET ROUE CENTRALE DENTÉE	
80	SA0015200	BOITIER INFÉRIEUR		220.7	PP0037400	ROULEMENT POUR SOPHIA	
80.1	SA0016901	ENS. ENTRÉE		220.8	PP0039000	ROUE CENTRALE DENTÉE	
100	PP00369DB	SORTIE SUPÉRIEURE		220.9	HW0006600	RONDELLE PLATE 5/16N	
110	5061	VIS 6-32X5/8 S/S PH PA		335	AS2801620-SP	ENS. MOTEUR MAX 3 (2013)	
170	2700	VIS 8X11/16 PHIL PN		335.1	PP0037900	SUPPORT MOTEUR	
174	HW0005800	VIS EJOT PT KA 40X14 WN1412		335.2	PP0038000	FIXATION CÂBLE	

CODE **66027**

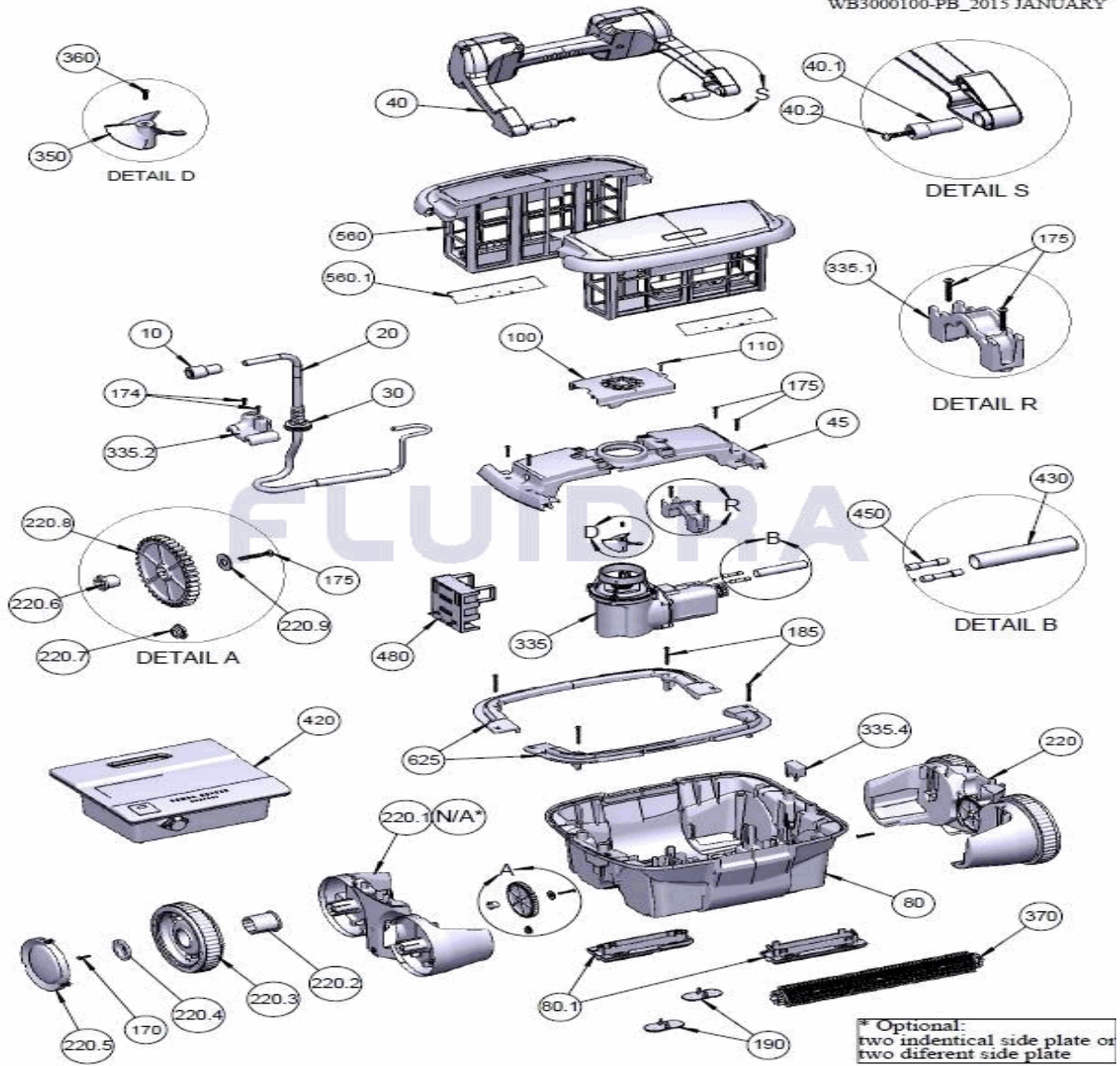
DESCRIPTION: NETTOYEUR DE FOND MAX 3 +

175	HW0005100	VIS PT KA 40X25	335,4	PP0037600	JOINT ROUE DENTÉE SOPHIA
185	HW0006000	VIS PT WN 1412	350	P00038	HÉLICE
360	SW00069	VIS M-3X10 PHIL DIN-965	480	AS8007000-SP	ENS. FLOTTAISON
370	AS2802420	NOT DEFINED	560	AS2802318	FILTRE DBFSOF
420	AS2722402-SP	TRANSFORMATEUR BASIQUE 180W GRIS	560,1	PP00381IV	VOLET FILTRE CARCASSE
430	AS110011010	TUYAU RÉTRACTILE 16/4 WCSM	625	PP00364DB	CADRE SUPÉRIEUR
450	5473	CONNECTEUR BOUT À BOUT	N/S	AS110300001	MASTIC ÉTANCHÉITÉ

CODE **66027**

DESCRIPTION: **POOL CLEANER MAX 3 +**

WB3000100-PB\_2015 JANUARY



\* Optional:  
two identical side plate or  
two different side plate

**ENGLISH**

POS	CODE	DESCRIPTION	QUANTITY	POS	CODE	DESCRIPTION	QUANTITY
10	ASPL00002M	4 PIN PLUG		190	PP0039600	RUBBER VALVE	
20	WA00325CGLA	FLOAT CABLE CG/16M/2C/EL-SW		220	AS2804001	SIDE PLATE ASSY	
30	PP00589BK	GROMMET 16 AWG		220.2	PP0038200	WHEEL BEARING SOPHIA	
40	AS2803100	HANDLE ASSY		220.3	SA0016414	WHEEL	
40.1	PP0038700	MAIN HANDLE AXIS		220.4	PP0042100	WHEEL WASHER FOR SOPHIA	
40.2	HW0006100	SCREW EJOT PT WN 1412		220.5	PP00386DG	WHEEL TASS SOPHIA	
45	ASPP00365DB	TOP BRIDGE		220.6	PP0042000	CENTER COGWHEEL BEARING	
80	SA0015200	BOTTOM HOUSING ASSY.		220.7	PP0037400	BEARING FOR SOPHIA	
80.1	SA0016901	INTAKE ASSY		220.8	PP0039000	CENTRAL COGWHEEL	
100	PP00369DB	OUTLET TOP		220.9	HW0006600	5/16N FLAT WASHER	
110	5061	SCREW 6-32X5/8 S/S PH PA		335	AS2801620-SP	MOTOR ASSY MAX 3 (2013)	
170	2700	SCREW 8X11/16 PHIL PN		335.1	PP0037900	MOTOR CLAMP	
174	HW0005800	SCREW EJOT PT KA 40X14 WN1412		335.2	PP0038000	CABLE RETAINER SOPHIA	



CODE **66027**

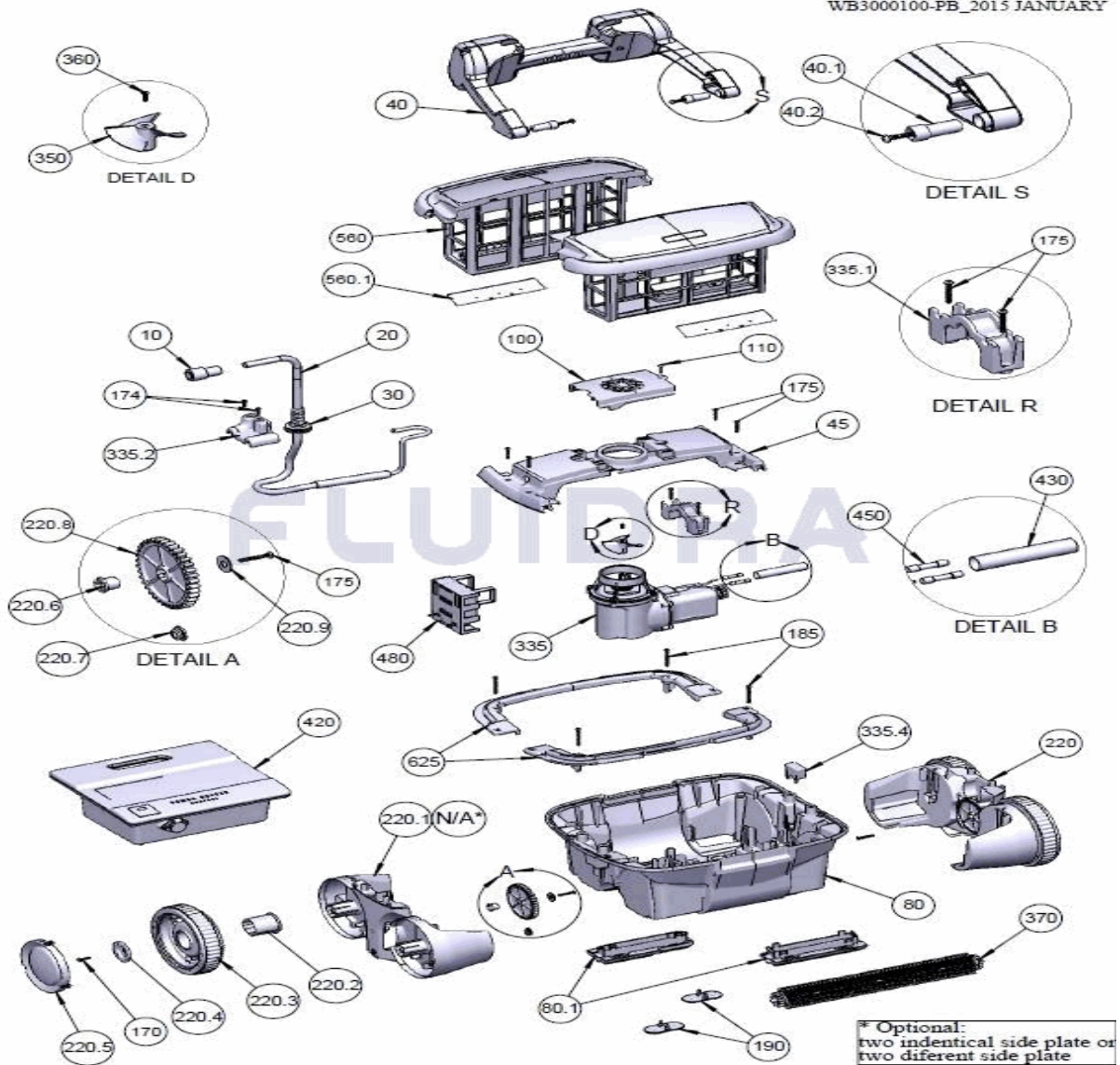
DESCRIPTION: **POOL CLEANER MAX 3 +**

175	HW0005100	SCREW EJOT PT KA 40X25	335,4	PP0037600	COGWHEEL GASKET SOPHIA
185	HW0006000	SCREW EJOT PT WN 1412	350	P00038	PROPELLER
360	SW00069	SCRERW M-3X10 PHIL DIN-965	480	AS8007000-SP	KIT FOR FLOATIAN CELL
370	AS2802420	NOT DEFINED	560	AS2802318	DBFSOF FILTER
420	AS2722402-SP	SPS BASIC 180W GREY	560,1	PP00381IV	BOTTOM HOUSING VALVE
430	AS110011010	SHRINK TUBE 16/4 WCSM	625	PP00364DB	TOP FRAME
450	5473	BUTT CONNECTOR	N/S	AS110300001	SEALANT MASTIC

CODICE 66027

DESCRIZIONE: PULISCIFONDI MAX 3 +

WB3000100-PB\_2015 JANUARY



ITALIANO

POS	CODICE	DESCRIZIONE	QUANTITA'	POS	CODICE	DESCRIZIONE	QUANTITA'
10	ASPL00002M	PRESA A QUATTRO SPINE		190	PP0039600	VALVOLA IN GOMMA	
20	WA00325CGLA	CAVO GALLEGGIANTE CG/16M/2C/EL-SW		220	AS2804001	COPERTURA LATERALE	
30	PP00589BK	PASSACAVI CAVO 16 AWG		220.2	PP0038200	BOCCOLA RUOTA SOPHIA	
40	AS2803100	INSIEME MANIGLIA		220.3	SA0016414	RUOTA	
40.1	PP0038700	ASSE MANICO		220.4	PP0042100	RUOTA TRAZIONE	
40.2	HW0006100	VITE PT WN 1412		220.5	PP00386DG	TAPPO RUOTA	
45	ASPP00365DB	CARCASSA SUPERIORE		220.6	PP0042000	CUSCINETTO RUOTA CENTRALE DENTATA	
80	SA0015200	SCATOLA INFERIORE		220.7	PP0037400	CUSCINETTO PER SOPHIA	
80.1	SA0016901	INSIEME ENTRATA		220.8	PP0039000	RUOTA CENTRALE DENTATA	
100	PP00369DB	SORTIE SUPÉRIEURE		220.9	HW0006600	RONDELLA PIANA 5/16N	
110	5061	VITE 6-32X5/8 S/S PH PA		335	AS2801620-SP	KIT MOTORE MAX 3 (2013)	
170	2700	VITE 8X11/16 PHIL PN		335.1	PP0037900	SUPPORTO MOTORE	
174	HW0005800	VITE EJOT PT KA 40X14 WN1412		335.2	PP0038000	ATTACCO CAVO	

CODICE **66027**

DESCRIZIONE: **PULISCIFONDI MAX 3 +**

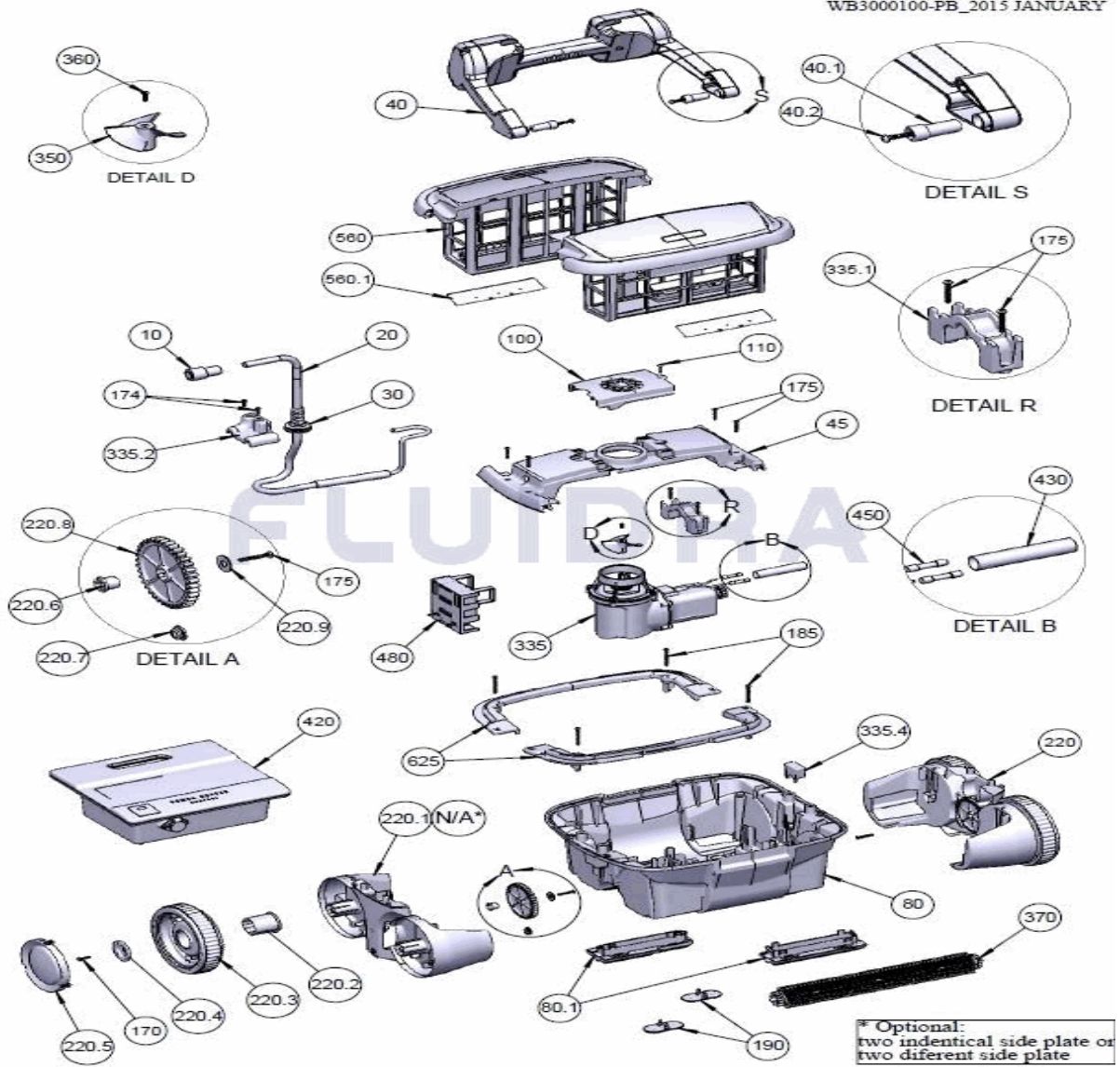
175	HW0005100	VITE PT KA 40X25	335,4	PP0037600	GIUNTA RUOTA DENTATA SOPHIA
185	HW0006000	VITE PT WN 1412	350	P00038	ELICA
360	SW00069	VITE M-3X10 PHIL DIN-965	480	AS8007000-SP	KIT GALLEGGIANTE
370	AS2802420	NOT DEFINED	560	AS2802318	FILTRO DBFSOF
420	AS2722402-SP	TRASFORMATORE BASICO 180 W. GRIGIO	560,1	PP00381IV	CAPPUCCIO FILTRO CARCASSA
430	AS110011010	TUBO RETRACTIL 16/4 WCSM	625	PP00364DB	MANICO SUPERIORE
450	5473	CONNETTORI ISOLATI DI ESTREMITÀ	N/S	AS110300001	STUCCO TENUTA STAGNA



CODE **66027**

BESCHREIBUNG: **BODENREINIGER MAX 3 +**

WB3000100-PB\_2015 JANUARY



**DEUTSCH**

POS	CODE	BESCHREIBUNG	MENGE	POS	CODE	BESCHREIBUNG	MENGE
10	ASPL00002M	STECKDOSE 4 ANSCHLÜSSE		190	PP0039600	GUMMIVENTIL	
20	WA00325CGLA	SCHWIMMERKABEL CG/16M/2C/EL-SW		220	AS2804001	SEITLICHER DECKEL	
30	PP00589BK	KABELDURCHGANG KABEL 16 AWG		220.2	PP0038200	BUCHSE RAD SOPHIA	
40	AS2803100	SET GRIFF		220.3	SA0016414	RAD	
40.1	PP0038700	ACHSE GRIFF		220.4	PP0042100	TRAKTION-RAD	
40.2	HW0006100	SCHRAUBE PT WN 1412		220.5	PP00386DG	PFROPFEN RAD	
45	ASPP00365DB	OBERES GEHÄUSE		220.6	PP0042000	LAGER MITTLERES ZAHNRAD	
80	SA0015200	UNTERES GEHÄUSE		220.7	PP0037400	LAGER FÜR SOPHIA	
80.1	SA0016901	SET EINGANG		220.8	PP0039000	MITTLERES ZAHNRAD	
100	PP00369DB	OBERER ABZUG		220.9	HW0006600	FLACHE UNTERLEGSCHIBE 5/16N	
110	5061	SCHRAUBE ABDECKUNG OBEN		335	AS2801620-SP	SET MOTOR MAX 3 (2013)	
170	2700	SCHRAUBE OBEN SEITLICH		335.1	PP0037900	HALTERUNG MOTOR	
174	HW0005800	SCHRAUBE EJOT PT KA 40X14 WN1412		335.2	PP0038000	BEFESTIGUNG KABEL	

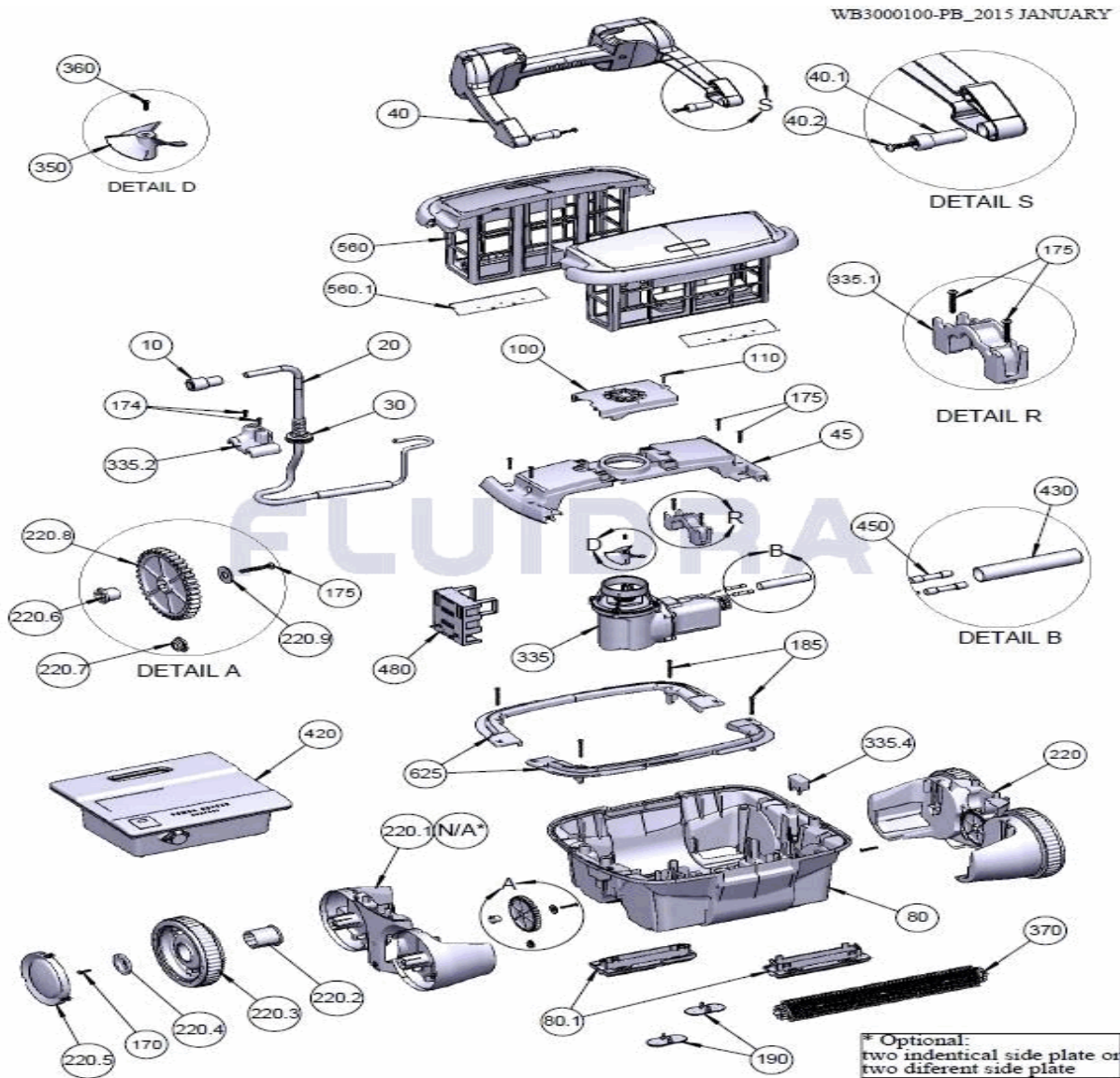
CODE **66027**

BESCHREIBUNG: **BODENREINIGER MAX 3 +**

175	HW0005100	SCHRAUBE PT KA 40X25	335,4	PP0037600	DICHTUNG ZAHNRAD SOPHIA
185	HW0006000	SCHRAUBE PT WN 1412	350	P00038	ANTRIEBSSCHRAUBE
360	SW00069	SCHRAUBE FÜR ANTRIEBSSCHRAUBE	480	AS8007000-SP	SET SCHWIMMER
370	AS2802420	NOT DEFINED	560	AS2802318	FILTER DBFSOF
420	AS2722402-SP	TRAFO BASIC 180 W GRAU	560,1	PP00381IV	DECKEL FILTER GEHÄUSE
430	AS110011010	ROHR 16/4 WCSM	625	PP00364DB	OBERER RAHMEN
450	5473	VERBINDUNGSTÜCK ROT	N/S	AS110300001	DICHTMASSE

CODIGO **66027**

DESCRIÇÃO: **LIMPADOR DE FUNDOS MAX 3 +**



**PORTUGUES**

POS	CODIGO	DESCRIÇÃO	JANTIDADE	POS	CODIGO	DESCRIÇÃO	JANTIDADE
10	ASPL00002M	FICHA DE 4 PINOS		190	PP0039600	VÁLVULA DE BORRACHA	
20	WA00325CGLA	CONJUNTO CABO DA BOIA CG/16M/2C/EL-		220	AS2804001	TAMPA LATERAL	
30	PP00589BK	PASSA-CABOS PARA CABO 16 AWG		220.2	PP0038200	CASQUILHO ROSA SOPHIA	
40	AS2803100	CJTO. PEGA		220.3	SA0016414	RODA	
40.1	PP0038700	EIXO PEGA		220.4	PP0042100	RODA DE TRAÇÃO	
40.2	HW0006100	PARAFUSO PT WN 1412		220.5	PP00386DG	ROLHA RODA	
45	ASPP00365DB	CARÇAÇA SUPERIOR		220.6	PP0042000	CHUMACEIRA RODA CENTRAL DENTADA	
80	SA0015200	CAIXA INFERIOR		220.7	PP0037400	ROLAMENTO PARA SOPHIA	
80.1	SA0016901	CJTO. ENTRADA		220.8	PP0039000	RODA CENTRAL DENTADA	
100	PP00369DB	SORTIE SUPÉRIEURE		220.9	HW0006600	ANILHA PLANA 5/16N	
110	5061	PARAFUSO 6-32 X 5/8 S/S PH PA		335	AS2801620-SP	CJTO. MOTOR MÁX 3 (2013)	
170	2700	PARAFUSO 8 X 11/16 PHIL PN		335.1	PP0037900	SUPORTE MOTOR	
174	HW0005800	PARAFUSO EJOT PT KA 40X14 WN1412		335.2	PP0038000	FIXAÇÃO CABO	

CODIGO **66027**

DESCRIÇÃO: **LIMPADOR DE FUNDOS MAX 3 +**

175	HW0005100	PARAFUSO PT KA 40X25	335,4	PP0037600	JUNTA RODA DENTADA SOPHIA
185	HW0006000	PARAFUSO PT WN 1412	350	P00038	HÉLICE
360	SW00069	PARAFUSO M-3 X 10 PHIL DIN-965	480	AS8007000-SP	CJTO. FLUTUAÇÃO
370	AS2802420	NOT DEFINED	560	AS2802318	FILTRO DBFSOF
420	AS2722402-SP	TRANSFORMADOR BÁSICO 180 W. CINZEI	560,1	PP00381IV	PLACA FILTRO ARMAÇÃO
430	AS110011010	TUBO RETRÁTIL 16/4 WCSM	625	PP00364DB	ESTRUTURA SUPERIOR
450	5473	CONECTOR DE EXTREMIDADE	N/S	AS110300001	SELANTE ESTANQUEIDADE