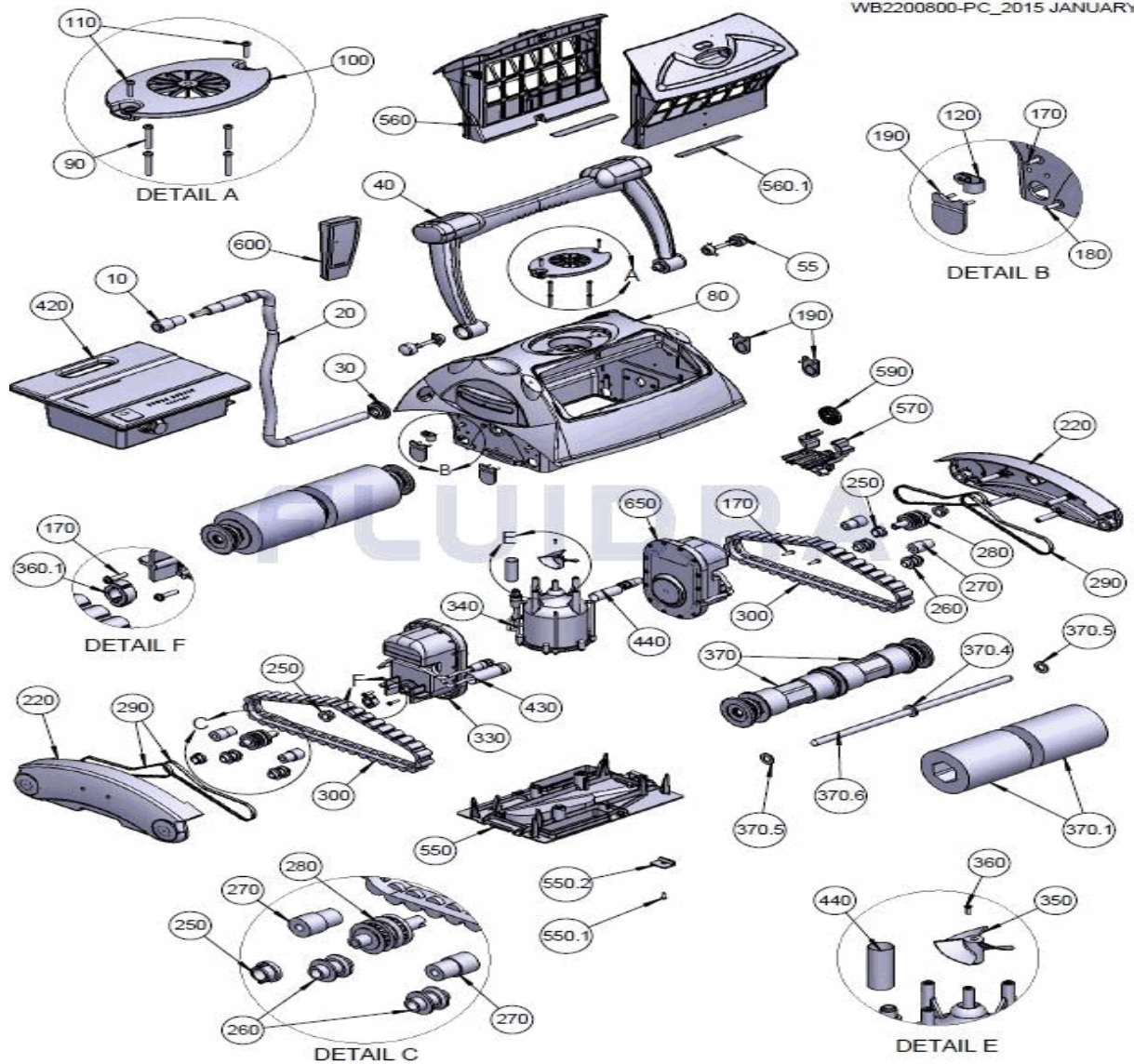


CODIGO **64573**

DESCRIPCION: LIMPIAFONDOS H7 DUO PLUS



**ESPAÑOL**

POS	CODIGO	DESCRIPCION	CANTIDAD	POS	CODIGO	DESCRIPCION	CANTIDAD
10	ASPL00002M	ENCHUFE 4 TERMINALES		260	3500	RODILLO PEQUEÑO	
20	WA00023CGL	CABLE FLOTADOR CG/23M/4C/EZ-SW/FAS		270	3506	TENSOR CORREAS DE TRACCION	
30	PP0001623	JUNTA PASACABLES		280	A3605	CONJUNTO POLEA	
40	AS0361600	CJTO. ASA		290	3302	CORREA DE TRACCION	
55	SK00005DB	PASADOR COMPLETO PARA MANGO		300	3201G	CORREA ORUGA	
80	AS1018500	CJTO. CUERPO		330	AS08702-SP	MOTOR DE TRACCION	
90	2500	TORNILLO PARA MOTOR BOMBA		340	AS00035R-SP	MOTOR DE BOMBEO	
100	PP000590B	TAPA SUPERIOR		350	P00038	HELICE	
110	5061	TORNILLO DE TAPA SUPERIOR		360	SW00069	TORNILLO PARA HELICE	
120	2105	SUJECION CABLE		360,1	PP0004500	CUBIERTA DEL PASADOR	
170	2700	TORNILLO SUPERIOR LATERAL		370	AS38252CG	CJTO. RODILLO	
180	2701	TORNILLO INFERIOR LATERAL		370,1	3009AG	CEPILO PVA GRIS (ANTIGUO)	
190	2305N	VALVULA DE GOMA		370,4	A2607PK	ARANDELA EXTREMOS EJE 4 PK	

CODIGO **64573**

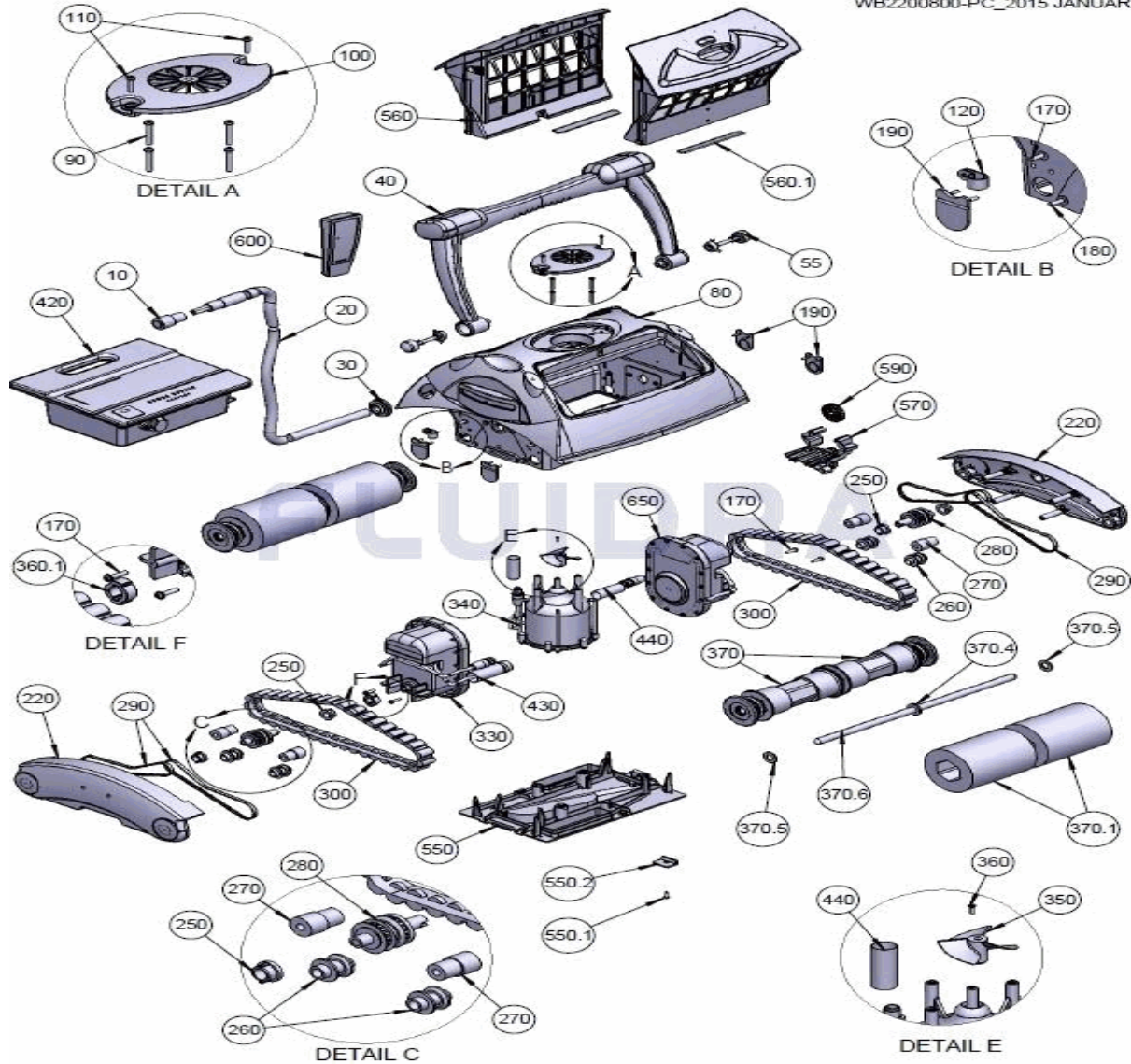
DESCRIPCION: LIMPIAFONDOS H7 DUO PLUS

220	AS1065500	PLACA LATERAL	370.5	3603	ARANDELA INTERMEDIA DE EJE
250	2613	RODAMIENTO DE EJES	370.6	MP00212	EJE RUEDAS 413 MM
420	AS2722800-SP	TRANSFORMADOR SP SPS 180W	590	PP0070300	RUEDA
430	AS110162506	TUBO RETRACTIL 20/6 (60mm)	600	RC0100500	CONTROL REMOTO
440	AS111161408	TUBO RETRACTIL 1614 (80mm)	650	AS08694-SP	MOTOR ESCLAVO
550	BS1050303	CJTO. TAPA INFERIOR	Not shown	PL00008F	CONECTOR ELECTRICO 4 PIN HEMBRA
550.2	PP0067300	ARANDELA DE SEGURIDAD	Not shown	PP0005100-SP	FLOTADOR LATERAL
560	AS1055250	CJTO. FILTRO SUPERIOR SIN TAPA	Not shown	PP0054300	FLOTADOR OVALADO MOTOR
560.1	PP00672IV	FILTRO VALVULA SUPERIOR	Not shown	PP0013900	PROTECTOR CABLE
570	AS1050510	SOPORTE MECANISMO	Not shown	4613	PASADOR CON RANURA

CODE 64573

DESCRIPTION: NETTOYEUR DE FOND H7 DUO PLUS

WB2200800-PC\_2015 JANUARY



FRANCAIS

POS	CODE	DESCRIPTION	QUANTITE	POS	CODE	DESCRIPTION	QUANTITE
10	ASPL00002M	PRISE À 4 FICHES		260	3500	PETIT GALET	
20	WA00023CGL	CÂBLE FLOTTANT CG/23M/4C/EZ-SW/FAST		270	3506	MANCHON DE GALET	
30	PP0001623	NOT DEFINED		280	A3605	ENSEMBLE POULIE	
40	AS0361600	ENS. POIGNÉE		290	3302	COURROIE DE TRANSMISSION	
55	SK00005DB	BROCHE COMPLÈTE POUR MANCHE		300	3201G	CHENILLE	
80	AS1018500	ENSEMBLE CORPS		330	AS08702-SP	MOTEUR DE TRACTION	
90	2500	VIS 8X1,175 PH PN		340	AS00035R-SP	MOTEUR DE LA POMPE	
100	PP00059OB	SORTIE SUPÉRIEURE		350	P00038	HÉLICE	
110	5061	VIS 6-32X5/8 S/S PH PA		360	SW000069	VIS M-3X10 PHIL DIN-965	
120	2105	FIXATION CÂBLE		360,1	PP0004500	LOGEMENT DE TIGE	
170	2700	VIS 8X11/16 PHIL PN		370	AS38252CG	ENSEMBLE ROULEAU	
180	2701	VIS 8X11/16PHIL PN		370,1	3009AG	BROSSE PVA GRISE (ANCIENNE)	
190	2305N	VALVE CAOUTCHOUTÉE		370,4	A2607PK	RONDELLE D'EXTRÉMITÉ D'ARBRE	

CODE **64573**

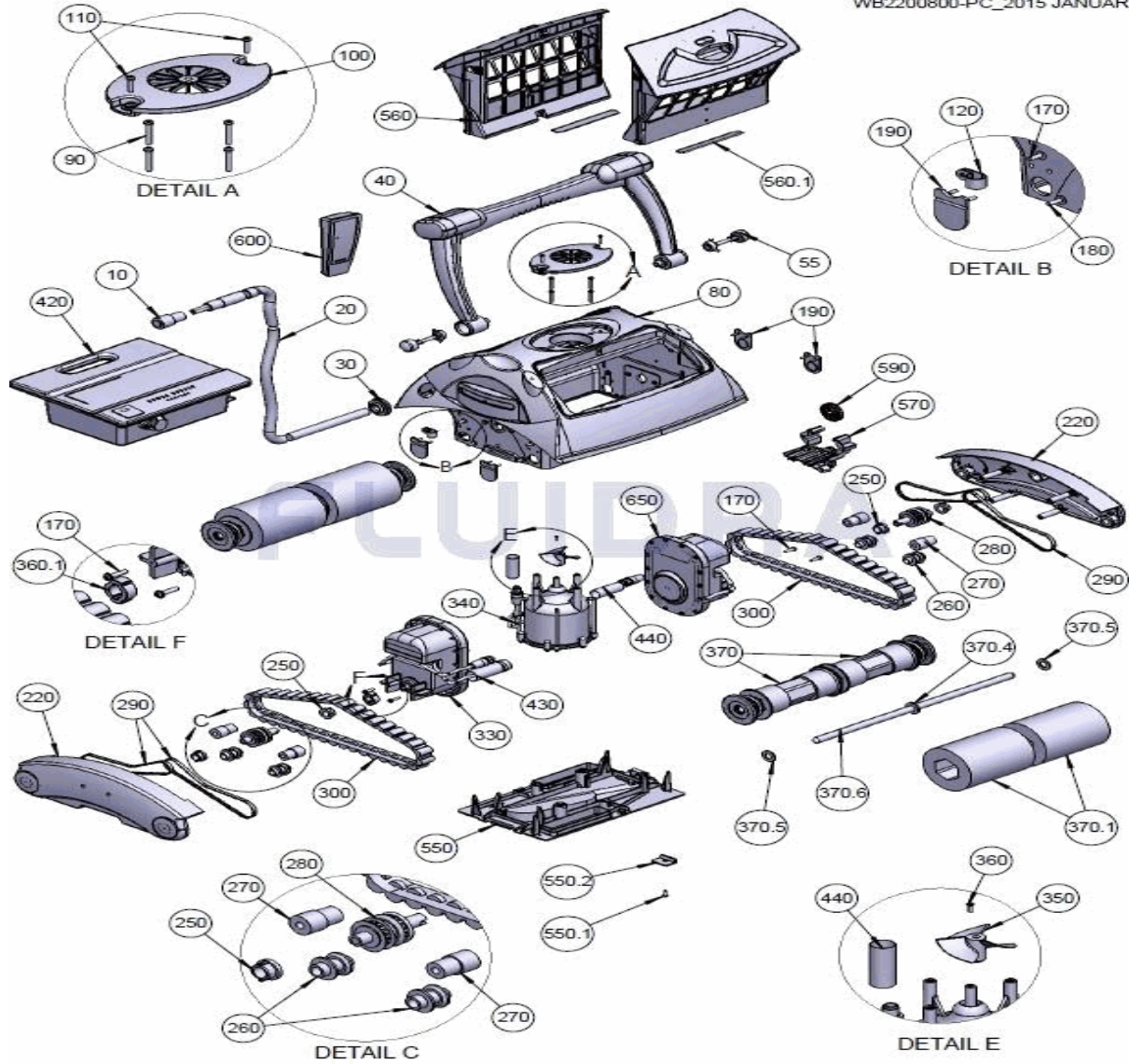
DESCRIPTION: NETTOYEUR DE FOND H7 DUO PLUS

220	AS1065500	PLAQUE LATÉRALE	370.5	3603	RONDELLE INTERMÉDIAIRE AXE
250	2613	BAGUE EN MOLYBDÈNE	370.6	MP00212	AXE ROUES 413 MM
420	AS2722800-SP	TRANSFORMATEUR SP SPS 180W	590	PP0070300	ROUE
430	AS110162506	TUBE RÉTRACTABLE 20/6 (60MM)	600	RC0100500	TÉLÉCOMMANDE
440	AS111161408	TUBE RÉTRACTABLE 1614 (80MM)	650	AS08694-SP	MOTEUR ESCLAVE
550	BS1050303	ENS. COUVERCLE INFÉRIEUR	Not shown	PL00008F	CONNECTEUR ÉLECTRIQUE 4 BROCHES F
550.2	PP0067300	RONDELLE DE SURETE	Not shown	PP0005100-SP	FLOTTEUR LATÉRAL
560	AS1055250	ENS. FILTRE SUPÉRIEUR SANS COUVERC	Not shown	PP0054300	FLOTTEUR OVALE MOTEUR
560.1	PP00672IV	FILTRE VANNE SUPÉRIEUR	Not shown	PP0013900	PROTECTEUR CÂBLE
570	AS1050510	SUPPORT MÉCANISME	Not shown	4613	GOUPILLE À RAINURE

CODE **64573**

DESCRIPTION: **POOL CLEANER H7 DUO PLUS**

WB2200800-PC\_2015 JANUARY



**ENGLISH**

POS	CODE	DESCRIPTION	QUANTITY	POS	CODE	DESCRIPTION	QUANTITY
10	ASPL00002M	4 PIN PLUG		260	3500	SMALL ROLLER	
20	WA00023CGL	FLOAT CABLE CG/23M/4C/EZ-SW/FAST		270	3506	SLEEVE ROLLER	
30	PP0001623	SEALING GROMMET		280	A3605	PULLEY ASSY	
40	AS0361600	HANDLE ASSY		290	3302	DRIVE BELT	
55	SK00005DB	PIN ASSY FOR HANDLE		300	3201G	DRIVE TRACK	
80	AS1018500	BODY ASSEMBLY		330	AS08702-SP	SP D. MOTOR	
90	2500	SCREW 8X1,175 PH PN		340	AS00035R-SP	PUMP MOTOR	
100	PP000590B	OUTLET TOP		350	P00038	PROPELLER	
110	5061	SCREW 6-32X5/8 S/S PH PA		360	SW00069	SCRERW M-3X10 PHIL DIN-965	
120	2105	CABLE RETAINER SOPHIA		360.1	PP0004500	CASE FOR PIN	
170	2700	SCREW 8X11/16 PHIL PN		370	AS38252CG	WHEEL TUBE, ASSY, AB, 12" , W/ PV "	
180	2701	SCREW 8X11/16PHIL PN		370.1	3009AG	PVA BRUSH	
190	2305N	RUBBER VALVE		370.4	A2607PK	DELFIN WASHER 4 PK	

CODE **64573**

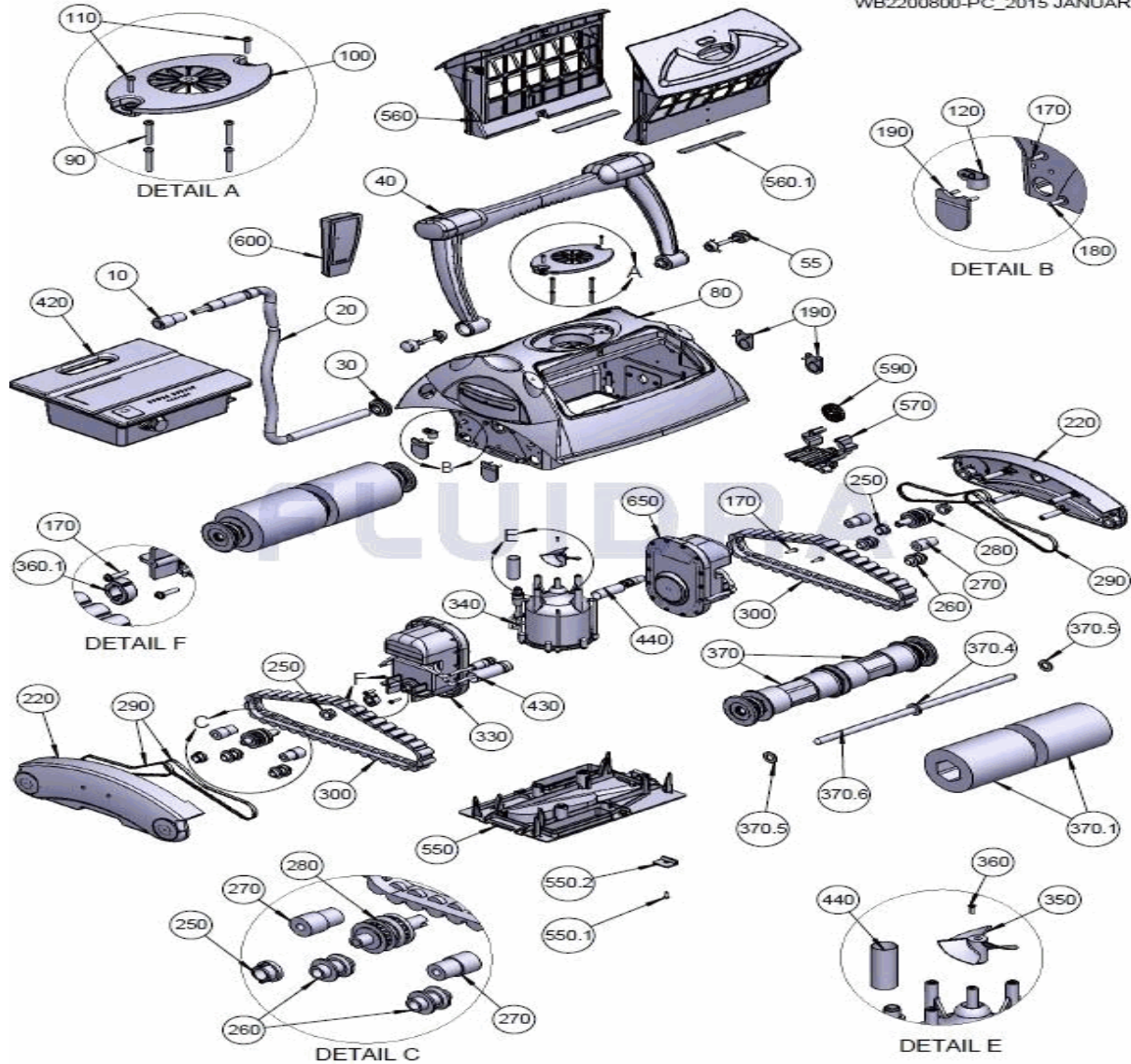
DESCRIPTION: **POOL CLEANER H7 DUO PLUS**

220	AS1065500	SIDE PLATE, ROUND,	370.5	3603	FLAT DELRIN WASHER
250	2613	MOLYBDENUM BUSHING	370.6	MP00212	AXLE 413 MM FOR WHEEL
420	AS2722800-SP	SP SPS 180W	590	PP0070300	WHEEL
430	AS110162506	SHRINK TUBE 20/6 (60MM)	600	RC0100500	RC RES IDP INTEG RAD
440	AS111161408	SHRINK TUBE 1614 (80MM)	650	AS08694-SP	SLAVE MOTOR
550	BS1050303	S/A BOTTOM LID ASSY + VB+FLOAT	Not shown	PL00008F	CONNECTOR 4 PIN FEMALE
550.2	PP0067300	SAFETY WASHER	Not shown	PP0005100-SP	SIDE FLOAT
560	AS1055250	FILTER TOP ASSY WITHOUT COVER	Not shown	PP0054300	FLOAT OVAL OUTSIDE
560.1	PP00672IV	FILTER VALVE FOR TOP NEW	Not shown	PP0013900	GROMMET
570	AS1050510	NEW VB MECHANISM ASSEMBLY	Not shown	4613	GROOVE PIN 1/8X5/8 S/S

CODICE 64573

DESCRIZIONE: PULISCIFONDI H7 DUO PLUS

WB2200800-PC\_2015 JANUARY



ITALIANO

POS	CODICE	DESCRIZIONE	QUANTITA'	POS	CODICE	DESCRIZIONE	QUANTITA'
10	ASPL00002M	PRESA A QUATTRO SPINE		260	3500	CILINDRO PICCOLO	
20	WA00023CGL	CAVO GALLEGGIANTE CG/23M/4C/EZ-SW/I		270	3506	GUAINA CILINDRO	
30	PP0001623	NOT DEFINED		280	A3605	BLOCCO PULEGGIA	
40	AS0361600	INSIEME MANIGLIA		290	3302	CINGHIA DI TRASMISSIONE	
55	SK00005DB	PASSANTE COMPLETO PER MANICO		300	3201G	CINGOLI DI TRASMISSIONE	
80	AS1018500	GRUPPO CORPO		330	AS08702-SP	MOTORE DI TRAZIONE	
90	2500	VITE 8X1,175 PH PN		340	AS00035R-SP	INIETTORE A POMPA	
100	PP000590B	SORTIE SUPÉRIEURE		350	P00038	ELICA	
110	5061	VITE 6-32X5/8 S/S PH PA		360	SW000069	VITE M-3X10 PHIL DIN-965	
120	2105	ATTACCO CAVO		360,1	PP0004500	PERNO	
170	2700	VITE 8X11/16 PHIL PN		370	AS38252CG	CONGIUNTO RULLO	
180	2701	VITE 8X11/16 PHIL PN		370,1	3009AG	SPAZZOLA PVA GRIGIO (VECCHIO)	
190	2305N	VALVOLA DI GOMMA		370,4	A2607PK	RONDELLA ESTREMITÀ ALBERO	

CODICE **64573**

DESCRIZIONE: **PULISCIFONDI H7 DUO PLUS**

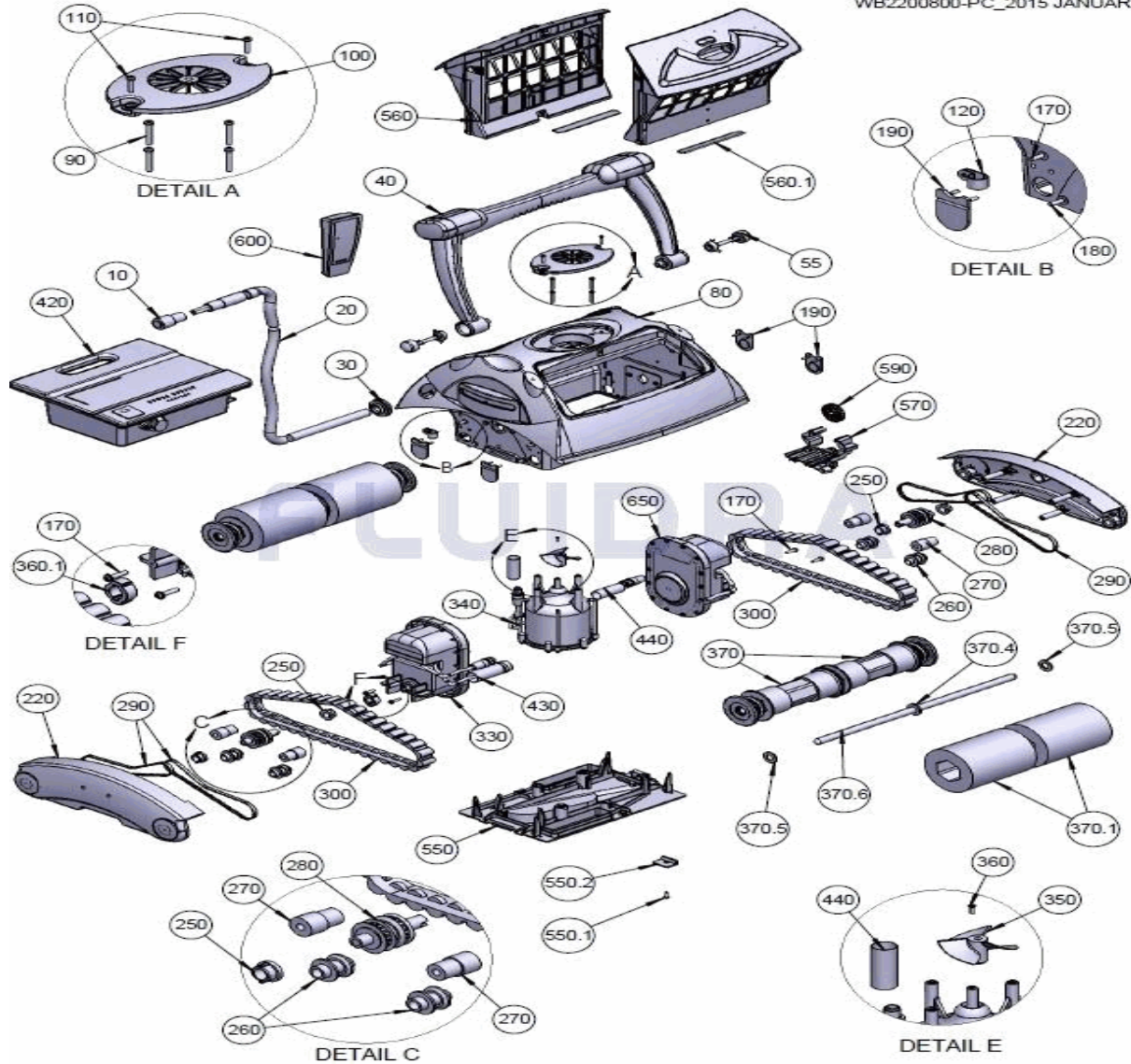
220	AS1065500	PLACCA LATERALE	370.5	3603	RONDELLA INTERMEDIA DI ASSE
250	2613	BOCCOLA IN MOLYBDENUM	370.6	MP00212	ASSE RUOTE 413 MM
420	AS2722800-SP	TRASFORMATORE SP SPS 180W	590	PP0070300	RUOTA
430	AS110162506	TUBO RETRACTIL 20/6 (60MM)	600	RC0100500	CONTROLLO REMOTO
440	AS111161408	TUBO RETRACTIL 1614 (80MM)	650	AS08694-SP	MOTORE SCHIAVO
550	BS1050303	KIT COPERTURA INFERIORE	Not shown	PL00008F	CONNETTORE ELETTRICO 4 PIN FEMMINA
550.2	PP0067300	RONDELLA DI SICUREZZA	Not shown	PP0005100-SP	GALLEGGIANTE LATERALE
560	AS1055250	KIT FILTRO SUPERIORE SENZA COPERCH	Not shown	PP0054300	GALLEGGIANTE OVALE MOTORE
560.1	PP00672IV	FILTRO VALVOLA SUPERIORE	Not shown	PP0013900	PROTETTORE CAVO
570	AS1050510	SUPPORTO MECCANISMO	Not shown	4613	COPPIGLIA CON SCANALATURA



CODE 64573

BESCHREIBUNG: BODENREINIGER H7 DUO PLUS

WB2200800-PC\_2015 JANUARY



DEUTSCH

POS	CODE	BESCHREIBUNG	MENGE	POS	CODE	BESCHREIBUNG	MENGE
10	ASPL00002M	STECKDOSE 4 ANSCHLÜSSE		260	3500	ROLLE KLEIN	
20	WA00023CGL	SCHWIMMERKABEL CG/23M/4C/EZ-SW/FA'		270	3506	SPANNER ZUGRIEMEN	
30	PP0001623	NOT DEFINED		280	A3605	SET ANTRIEBSSCHEIBE	
40	AS0361600	SET GRIFF		290	3302	ZUGRIEMEN	
55	SK00005DB	STIFT KOMPLETT FÜR GRIFF		300	3201G	KETTENLEINE	
80	AS1018500	SET GEHÄUSE		330	AS08702-SP	ZUGMOTOR	
90	2500	SCHRAUBE FÜR PUMPENMOTOR		340	AS00035R-SP	PUMPENMOTOR	
100	PP000590B	ABDECKUNG OBEN		350	P00038	ANTRIEBSSCHRAUBE	
110	5061	SCHRAUBE ABDECKUNG OBEN		360	SW000069	SCHRAUBE FÜR ANTRIEBSSCHRAUBE	
120	2105	BEFESTIGUNG KABEL		360,1	PP0004500	ABDECKUNG STIFT	
170	2700	SCHRAUBE OBEN SEITLICH		370	AS38252CG	SET ROLLE	
180	2701	SCHRAUBE UNTEN SEITLICH		370,1	3009AG	BÜRSTE PVA GRAU (VORVERSION)	
190	2305N	GUMMIVENTIL		370,4	A2607PK	WELLENENDWASCHMASCHINE	

CODE **64573**

BESCHREIBUNG: **BODENREINIGER H7 DUO PLUS**

220	AS1065500	PLATINE SEITLICH	370.5	3603	UNTERLEGSCHEIBE MITTIG ACHSE
250	2613	WÄLZLAGER ACHSEN	370.6	MP00212	ACHSE RÄDER 413 MM
420	AS2722800-SP	TRAFO SP SPS 180 W	590	PP0070300	RAD
430	AS110162506	EINLAUFROHR 20/6 (60MM)	600	RC0100500	FERNBEDIENUNG
440	AS111161408	EINLAUFROHR 1614 (80MM)	650	AS08694-SP	HILFSMOTOR
550	BS1050303	SET ABDECKUNG UNTEN	Not shown	PL00008F	ELEKTRISCHER VERBINDER 4 PIN WEIBLIC
550.2	PP0067300	SICHERHEITSUNTERLEGSCHEIBE	Not shown	PP0005100-SP	SEITENPUFFER
560	AS1055250	SET OBERER FILTER OHNE DECKEL	Not shown	PP0054300	SCHWIMMER OVAL MOTOR
560.1	PP00672IV	FILTER VENTIL OBEN	Not shown	PP0013900	KABELSCHUTZ
570	AS1050510	HALTERUNG MECHANISMUS	Not shown	4613	STIFT MIT SCHLITZ

CODIGO **64573**

 DESCRIÇÃO: **LIMPADOR DE FUNDOS H7 DUO PLUS**
**PORTUGUES**

POS	CODIGO	DESCRIÇÃO	JANTIDADE	POS	CODIGO	DESCRIÇÃO	JANTIDADE
10	ASPL00002M	FICHA DE 4 PINOS		260	3500	ROLETE PEQUENO	
20	WA00023CGL	CONJUNTO CABO BOIA CG/23M/4C/EZ-SW		270	3506	ROLETE DE BORRACHA	
30	PP0001623	NOT DEFINED		280	A3605	CONJUNTO ROLDANA	
40	AS0361600	CJTO. PEGA		290	3302	CORREIA DE TRANSMISSÃO	
55	SK00005DB	PASSADOR COMPLETO PARA PEGA		300	3201G	LAGARTA DE TRAÇÃO	
80	AS1018500	CONJUNTO CORPO		330	AS08702-SP	MOTOR DE TRAÇÃO	
90	2500	PARAFUSO 8 X 1,175 PH PN		340	AS00035R-SP	BOMBA MOTOR	
100	PP000590B	SORTIE SUPÉRIEURE		350	P00038	HÉLICE	
110	5061	PARAFUSO 6-32 X 5/8 S/S PH PA		360	SW00069	PARAFUSO M-3 X 10 PHIL DIN-965	
120	2105	FIXAÇÃO CABO		360,1	PP0004500	ENCAIXE PARA PINO	
170	2700	PARAFUSO 8 X 11/16 PHIL PN		370	AS38252CG	CJTO. CILINDRO	
180	2701	PARAFUSO 8 X 11/16 PHIL PN		370,1	3009AG	ESCOVA PVA CINZENTA (ANTIGA)	
190	2305N	VÁLVULA DE BORRACHA		370,4	A2607PK	LAVADORA DE EXTREMIDADE DO EIXO	

**ITEM**

REV.: 2

1062

DATA: 20/07/2021

FOLHA: 12/12

CODIGO **64573**DESCRIÇÃO: **LIMPADOR DE FUNDOS H7 DUO PLUS**

220	AS1065500	PLACA LATERAL	370.5	3603	ANILHA INTERMÉDIA DO EIXO
250	2613	BUCHA MOLIBDÉNIO	370.6	MP00212	EIXO RODAS 413 MM
420	AS2722800-SP	TRANSFORMADOR SP SPS 180 W	590	PP0070300	RODA
430	AS110162506	TUBO ENCOLHÍVEL 20/6 (60MM)	600	RC0100500	CONTROLO REMOTO
440	AS111161408	TUBO ENCOLHÍVEL 1614 (80MM)	650	AS08694-SP	MOTOR ESCRAVO
550	BS1050303	CJTO. TAMPA INFERIOR	Not shown	PL00008F	FICHA DE 4 PINOS FÊMEA
550.2	PP0067300	ANILHA DE SEGURANÇA	Not shown	PP0005100-SP	BÓIA LATERAL
560	AS1055250	CJTO. FILTRO SUPERIOR SEM TAMPA	Not shown	PP0054300	BOIA OVALADA MOTOR
560.1	PP00672IV	FILTRO VÁLVULA SUPERIOR	Not shown	PP0013900	PROTETOR CABO
570	AS1050510	SUPORTE MECANISMO	Not shown	4613	PASSADOR COM RANHURA