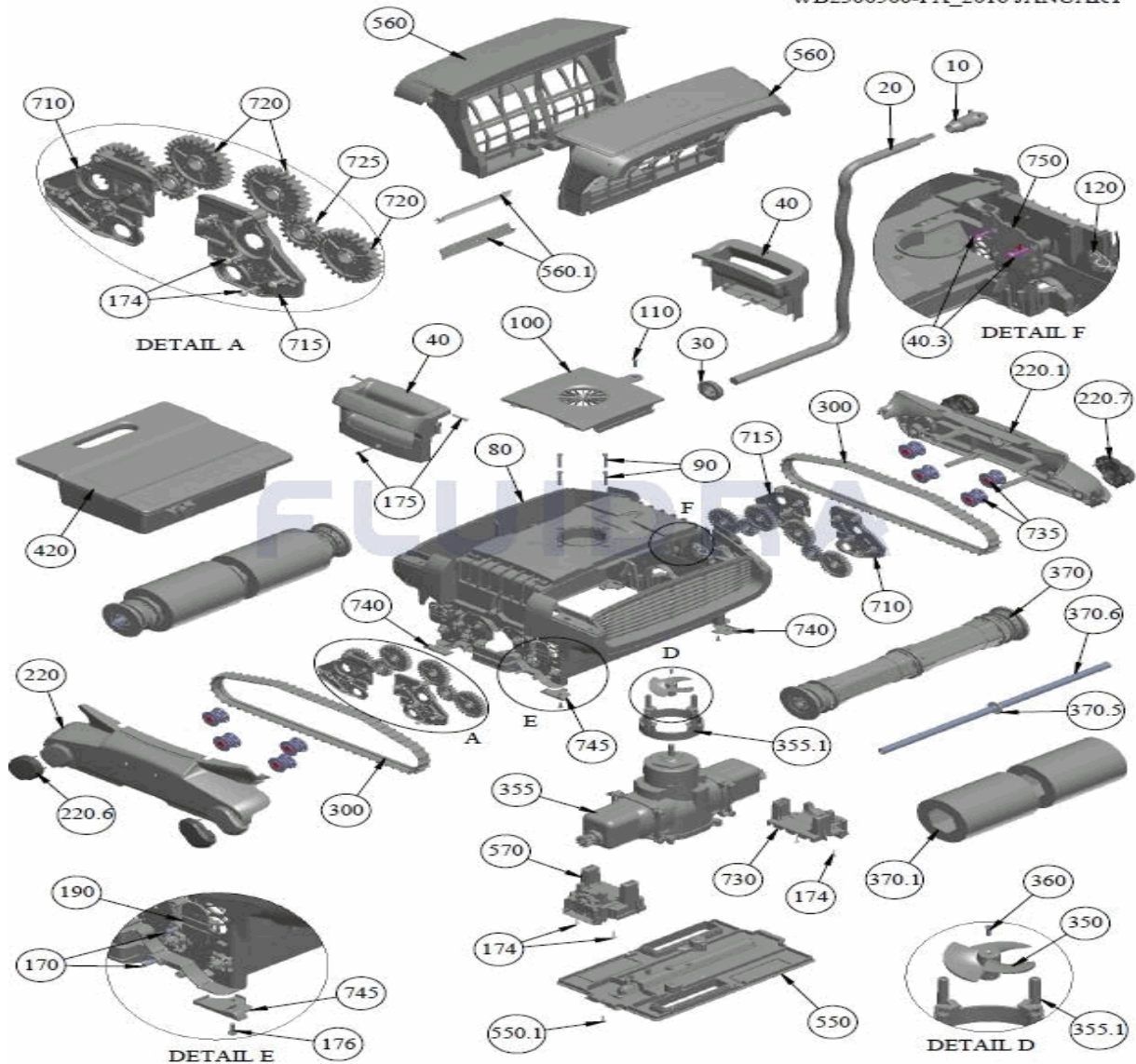


CODIGO 63179

DESCRIPCION: LIMPIAFONDOS H3 DUO

WB2300500-PA_2016 JANUARY



ESPAÑOL

POS	CODIGO	DESCRIPCION	CANTIDAD	POS	CODIGO	DESCRIPCION	CANTIDAD
10	ASPL00002M	ENCHUFE 4 TERMINALES		220	AS1066500	CJTO. TAPA LATERAL	
20	WA00222CGL	CABLE FLOTADOR CG/18M/2C/EZ-SW/FAS		220.1	AS1066550	PLACA LATERAL	
30	PP0001623	JUNTA PASACABLES		220.6	PP00631GY	TAPONES PLACA HURRICANE	
40	AS1047200	CONJUNTO MANGO		220.7	PP00675GY	TAPONES PLACA HURRICANE LARGOS	
40.3	HW0007000	TORNILLO PT KA 50X20		300	PP00949CG	CORREA DE ORUGA	
80	AS1019120	BODY ASSY		350	PP00952GY	HÉLICE	
90	2500	TORNILLO PARA MOTOR BOMBA		355	AS2903130-SP	MOTOR DE TRACCION	
100	PP00623IV	BOQUILLA IMPULSION		355.1	PP0096400	ACCESORIOS BOMBA BREEZER	
110	5061	TORNILLO DE TAPA SUPERIOR		360	SW00069	TORNILLO PARA HELICE	
120	HW0006700	SUJECION CABLE		370	AS38254CG	RODILLO DE ARRASTRE	
170	2700	TORNILLO SUPERIOR LATERAL		370.1	3009AG	CEPILLO PVA GRIS (ANTIGUO)	
174	HW0005800	TORNILLO EJOT PT KA 40X14 WN1412		370.5	3603	ARANDELA INTERMEDIA DE EJE	
175	HW0005100	TORNILLO PT KA 40X25		370.6	MP00212	EJE RUEDAS 413 MM	

CODIGO **63179**

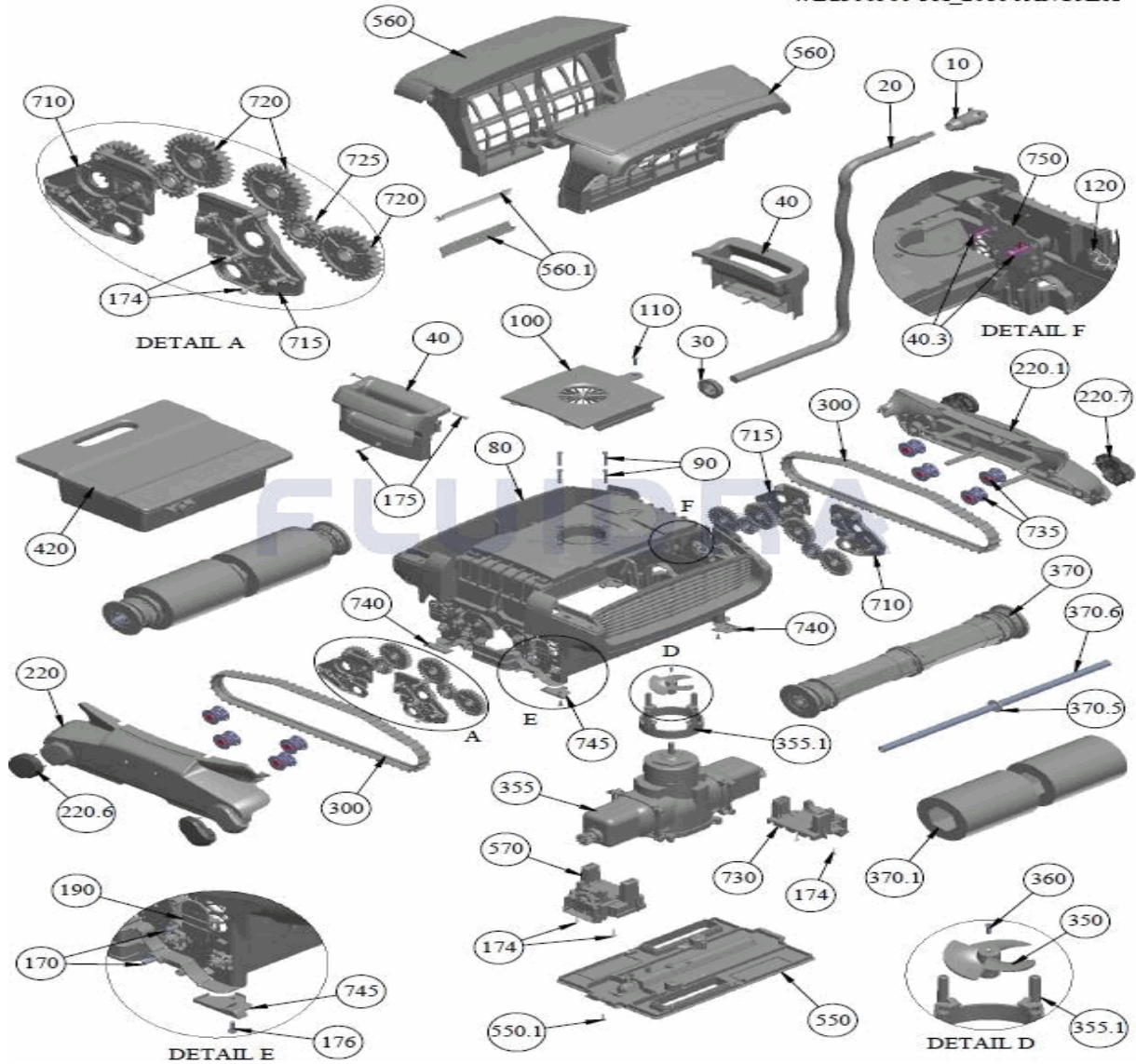
DESCRIPCION: **LIMPIAFONDOS H3 DUO**

176	HW0004200	TORNILLO EJOT PT KB30X10	420	AS2722300-SP	TRANSFORMADOR 180W GRIS
190	PP0095300	ALETA SALIDA AGUA	550	AS1050304	CONJUNTO TAPA INFERIOR CON CEPILLO
560	AS1052707	FILTRO BLFHUR	730	PP0093700	PUENTE OMEGA
560,1	PP00637IV	COMPUERTA FILTRO	735	PP0095100	RODILLO PARA CORREA DE ORUGA
570	AS1050952	CJTO. CEPILLO VIBRANTE PARA BREEZEF	740	PP0096500	PROTECTOR INFERIOR DERECHO
710	PP0097000	BUJE PLACA LATERAL IZQUIERDO	745	PP0096800	PROTECTOR INFERIOR IZQUIERDO
715	PP0096900	BUJE PLACA LATERAL DERECHO	750	PP0097200	SUJETACABLES PARA BREEZER
720	PP0093800	RUEDA DENTADA LATERAL GRANDE	Not shown	PL00008F	CONECTOR ELECTRICO 4 PIN HEMBRA
725	PP0093900	RUEDA DENTADA LATERAL PEQUEÑA			

CODE 63179

DESCRIPTION: NETTOYEUR DE FOND H3 DUO

WB2300500-PA_2016 JANUARY



FRANCAIS

POS	CODE	DESCRIPTION	QUANTITE	POS	CODE	DESCRIPTION	QUANTITE
10	ASPL00002M	PRISE À 4 FICHES		220	AS1066500	COUVERCLE LATÉRAL	
20	WA00222CGL	CÂBLE FLOTTANT CG/18M/2C/EZ-SW/FAST		220.1	AS1066550	PLAQUE LATÉRALE	
30	PP0001623	(not defined)		220.6	PP00631GY	BOUCHONS PLAQUE HURRICANE	
40	AS1047200	ENSEMBLE MANCHE		220.7	PP00675GY	BOUCHONS PLAQUE HURRICANE LONGS	
40.3	HW0007000	VIS PT KA 50X20		300	PP00949CG	COURROIE DE CHENILLE	
80	AS1019120	ENSEMBLE CORPS		350	PP00952GY	HÉLICE	
90	2500	VIS 8X1,175 PH PN		355	AS2903130-SP	MOTEUR DE TRACTION	
100	PP00623IV	BUSE DE REFOULEMENT		355.1	PP0096400	ACCESSOIRES POMPE BREEZER	
110	5061	VIS 6-32X5/8 S/S PH PA		360	SW00069	VIS M-3X10 PHIL DIN-965	
120	HW0006700	FIXATION CÂBLE		370	AS38254CG	ROULEAU D'ENTRAÎNEMENT	
170	2700	VIS 8X11/16 PHIL PN		370.1	3009AG	BROSSE PVA GRISE (ANCIENNE)	
174	HW0005800	VIS EJOT PT KA 40X14 WN1412		370.5	3603	RONDELLE INTERMÉDIAIRE AXE	
175	HW0005100	VIS PT KA 40X25		370.6	MP00212	AXE ROUES 413 MM	

CODE **63179**

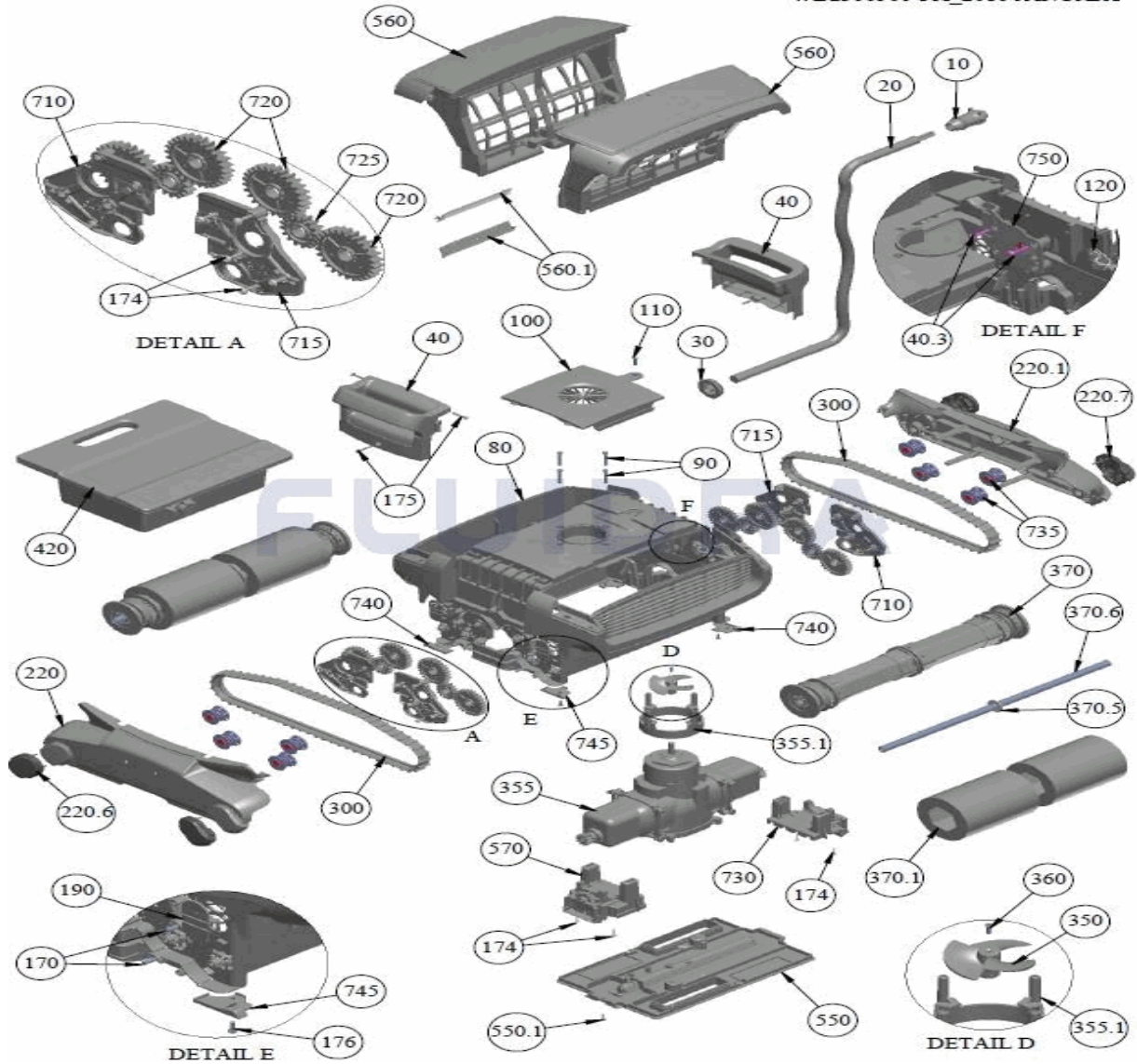
DESCRIPTION: NETTOYEUR DE FOND H3 DUO

176	HW0004200	VIS EJOT PT KB30X10	420	AS2722300-SP	TRANSFORMATEUR SMART EU 180W
190	PP0095300	CLAPET SORTIE EAU	550	AS1050304	ENSEMBLE COUVERCLE INFÉRIEUR
560	AS1052707	FILTRE BLFHUR	730	PP0093700	PONT OMÉGA
560.1	PP00637IV	PORTE FILTRE	735	PP0095100	ROULEAU POUR COURROIE DE CHENILLE
570	AS1050952	ENS. BROSE VIBRANTE POUR BREEZER	740	PP0096500	PROTECTEUR INFÉRIEUR DROIT
710	PP0097000	BAGUE PLAQUE LATÉRALE GAUCHE	745	PP0096800	PROTECTEUR INFÉRIEUR GAUCHE
715	PP0096900	BAGUE PLAQUE LATÉRALE DROITE	750	PP0097200	ATTACHE-CÂBLES POUR BREEZER
720	PP0093800	ROUE DENTÉE LATÉRALE GRANDE	Not shown	PL00008F	CONNECTEUR ÉLECTRIQUE 4 BROCHES F
725	PP0093900	ROUE DENTÉE LATÉRALE PETITE			

CODE 63179

DESCRIPTION: POOL CLEANER H3 DUO

WB2300500-PA_2016 JANUARY



ENGLISH

POS	CODE	DESCRIPTION	QUANTITY	POS	CODE	DESCRIPTION	QUANTITY
10	ASPL00002M	4 PIN PLUG		220	AS1066500	SIDE PLATE ASSY	
20	WA00222CGL	FLOAT CABLE ASSY CG/18M/2C/EZ-SW/FA'		220.1	AS1066550	SIDE PLATE	
30	PP0001623	SEALING GROMMET		220.6	PP00631GY	BUMPER FOR HURRICANE	
40	AS1047200	HANDLE ASSEMBLY		220.7	PP00675GY	BUMPER	
40.3	HW0007000	SCREW EJOT PT KA 50X20		300	PP00949CG	TRACK BELT	
80	AS1019120	BODY ASSY		350	PP00952GY	PROPELLER	
90	2500	SCREW 8X1,175 PH PN		355	AS2903130-SP	MOTORS BOX ASSY	
100	PP00623IV	PUMP OUTLET COVER		355.1	PP0096400	PUMP FIXTURE FOR BREEZER	
110	5061	SCREW 6-32X5/8 S/S PH PA		360	SW00069	SCRERW M-3X10 PHIL DIN-965	
120	HW0006700	CABLE RETAINER SOPHIA		370	AS38254CG	WHEEL TUBE ASSY.	
170	2700	SCREW 8X11/16 PHIL PN		370.1	3009AG	PVA BRUSH	
174	HW0005800	SCREW EJOT PT KA 40X14 WN1412		370.5	3603	FLAT DELRIN WASHER	
175	HW0005100	SCREW EJOT PT KA 40X25		370.6	MP00212	AXLE 413 MM FOR WHEEL	

CODE **63179**

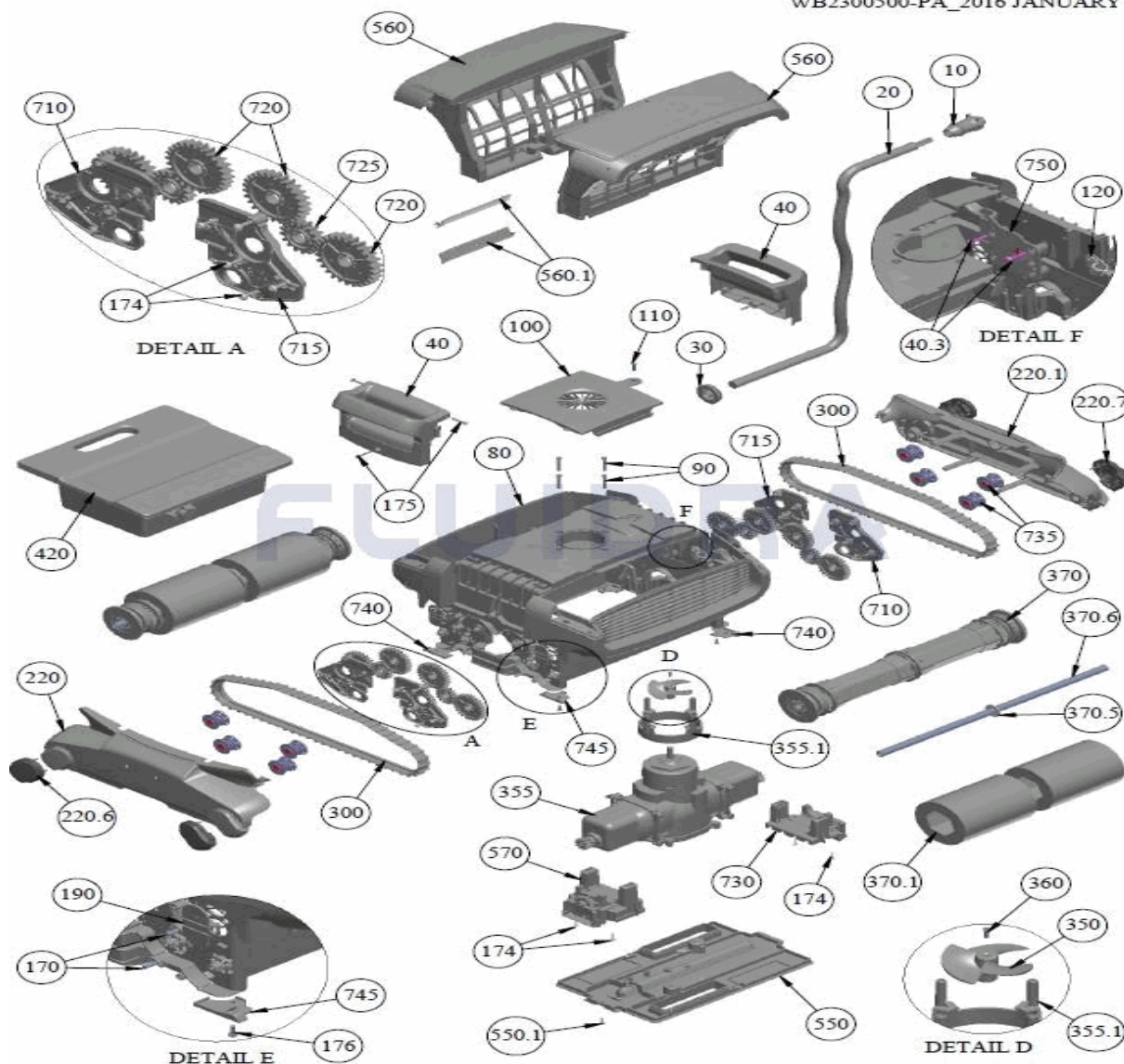
DESCRIPTION: **POOL CLEANER H3 DUO**

176	HW0004200	SCREW EJOT PT KB30X10	420	AS2722300-SP	SPS SMART EU 180W GRIS
190	PP0095300	WATER OUTLET FLAP	550	AS1050304	BOTTOM LID ASSY
560	AS1052707	BLFHUR FILTER	730	PP0093700	OMEGA BRIDGE
560.1	PP00637IV	FILTER BOTTOM FLAP	735	PP0095100	TRACK BELT ROLLER
570	AS1050952	VB ASSY FOR BREEZER	740	PP0096500	BOTTOM PROTECTOR RIGHT
710	PP0097000	LEFT SIDE PLATE BUSHING	745	PP0096800	BOTTOM PROTECTOR LEFT
715	PP0096900	RIGHT SIDE PLATE BUSHING	750	PP0097200	CABLE HOLDER BREEZER
720	PP0093800	SIDE COGWHEEL BIG	Not shown	PL00008F	CONNECTOR 4 PIN FEMALE
725	PP0093900	SIDE COGWHEEL SMALL			

CODICE 63179

DESCRIZIONE: PULISCIFONDI H3 DUO

WB2300500-PA_2016 JANUARY



ITALIANO

POS	CODICE	DESCRIZIONE	QUANTITA'	POS	CODICE	DESCRIZIONE	QUANTITA'
10	ASPL00002M	PRESA A QUATTRO SPINE		220	AS1066500	COPERTURA LATERALE	
20	WA00222CGL	CAVO GALLEGGIANTE CG/18M/2C/EZ-SW/I		220.1	AS1066550	PLACCA LATERALE	
30	PP0001623	(not defined)		220.6	PP00631GY	TAPPI PLACCA HURRICANE	
40	AS1047200	INSIEME MANICO		220.7	PP00675GY	TAPPI PLACCA HURRICANE LUNGHI	
40.3	HW0007000	VITE PT KA 50X20		300	PP00949CG	CINGHIA DENTATA	
80	AS1019120	GRUPPO CORPO		350	PP00952GY	ELICA	
90	2500	VITE 8X1,175 PH PN		355	AS2903130-SP	MOTORE DI TRAZIONE	
100	PP00623IV	BOCCHETTA IMPULSIONE		355.1	PP0096400	ACCESSORI POMPA BREEZER	
110	5061	VITE 6-32X5/8 S/S PH PA		360	SW00069	VITE M-3X10 PHIL DIN-965	
120	HW0006700	ATTACCO CAVO		370	AS38254CG	RULLO DI TRAINO	
170	2700	VITE 8X11/16 PHIL PN		370.1	3009AG	SPAZZOLA PVA GRIGIO (VECCHIO)	
174	HW0005800	VITE EJOT PT KA 40X14 WN1412		370.5	3603	RONDELLA INTERMEDIA DI ASSE	
175	HW0005100	VITE PT KA 40X25		370.6	MP00212	ASSE RUOTE 413 MM	

CODICE **63179**

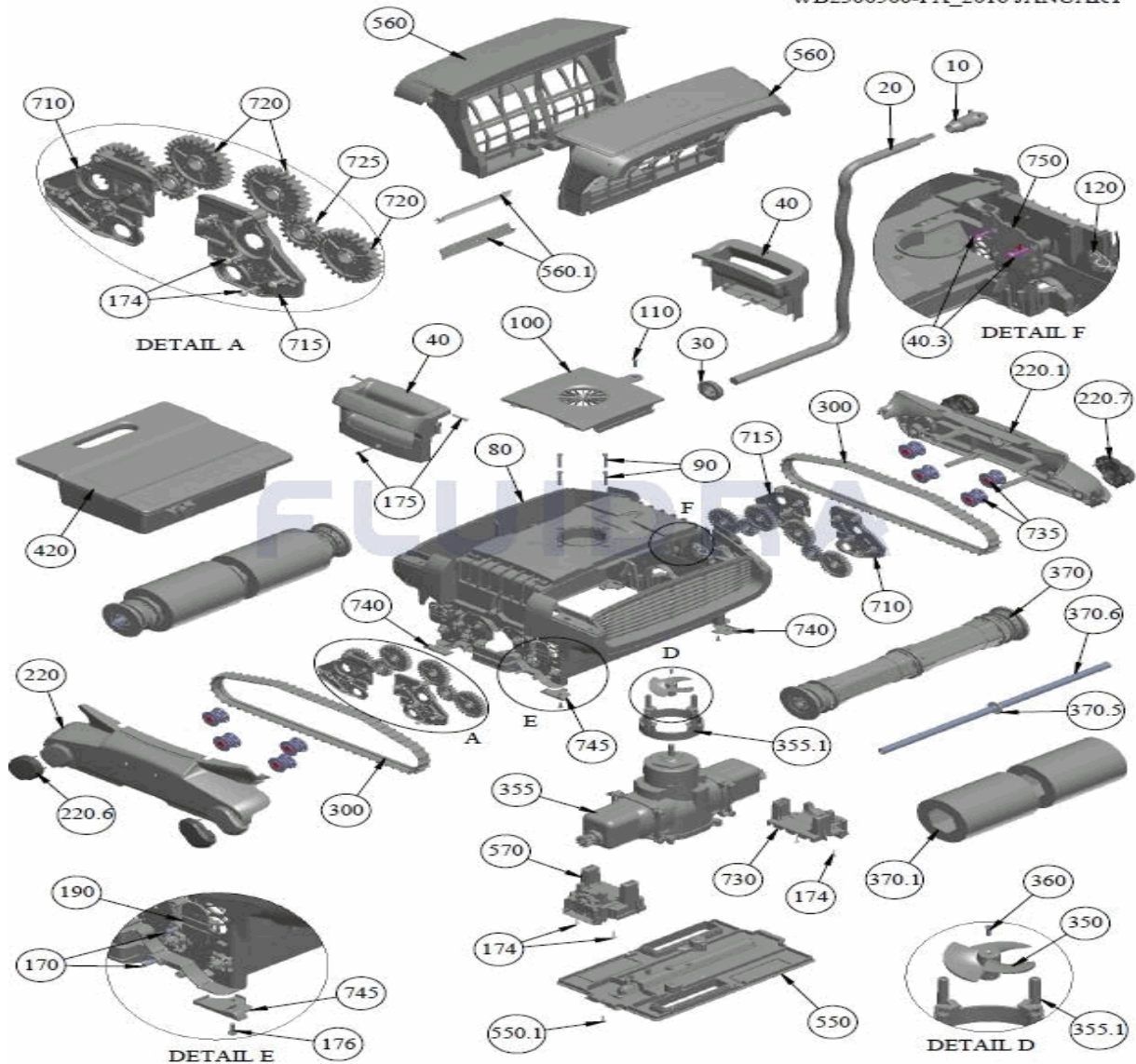
DESCRIZIONE: **PULISCIFONDI H3 DUO**

176	HW0004200	VITE EJOT PT KB30X10	420	AS2722300-SP	TRASFORMATORE SMART EU 180W
190	PP0095300	ALETTA USCITA ACQUA	550	AS1050304	BLOCCO COPERCHIO INFERIORE
560	AS1052707	FILTRO BLFHUR	730	PP0093700	PONTE OMEGA
560,1	PP00637IV	PARATOIA FILTRO	735	PP0095100	RULLO PER CINGHIA DENTATA
570	AS1050952	KIT SPAZZOLA VIBRANTE PER BREEZER	740	PP0096500	PROTETTORE INFERIORE DESTRO
710	PP0097000	BOCCOLA PLACCA LATERALE SINISTRA	745	PP0096800	PROTETTORE INFERIORE SINISTRO
715	PP0096900	BOCCOLA PLACCA LATERALE DESTRA	750	PP0097200	FERMACAVI PER BREEZER
720	PP0093800	RUOTA DENTATA LATERALE GRANDE	Not shown	PL00008F	CONNETTORE ELETTRICO 4 PIN FEMMINA
725	PP0093900	RUOTA DENTATA LATERALE PICCOLA			

CODE 63179

BESCHREIBUNG: BODENREINIGER H3 DUO

WB2300500-PA_2016 JANUARY



DEUTSCH

POS	CODE	BESCHREIBUNG	MENGE	POS	CODE	BESCHREIBUNG	MENGE
10	ASPL00002M	STECKDOSE 4 ANSCHLÜSSE		220	AS1066500	SEITLICHER DECKEL	
20	WA00222CGL	SCHWIMMERKABEL CG/18M/2C/EZ-SW/FA'		220.1	AS1066550	SEITENPLAKETTE	
30	PP0001623	(not defined)		220.6	PP00631GY	PFROPFEN PLAKETTE HURRICANE	
40	AS1047200	SET GRIFF		220.7	PP00675GY	LANGE PROPFFEN PATTE HURRICANE	
40.3	HW0007000	SCHRAUBE PT KA 50X20		300	PP00949CG	KETTENLEINE	
80	AS1019120	SET KÖRPER		350	PP00952GY	HELIX	
90	2500	SCHRAUBE FÜR PUMPENMOTOR		355	AS2903130-SP	ZUGMOTOR	
100	PP00623IV	ANTRIEBSDÜSE		355.1	PP0096400	PUMPENZUBEHÖR BREEZER	
110	5061	SCHRAUBE ABDECKUNG OBEN		360	SW00069	SCHRAUBE FÜR ANTRIEBSSCHRAUBE	
120	HW0006700	BEFESTIGUNG KABEL		370	AS38254CG	FÖRDERROLLE	
170	2700	SCHRAUBE OBEN SEITLICH		370.1	3009AG	BÜRSTE PVA GRAU (VORVERSION)	
174	HW0005800	SCHRAUBE EJOT PT KA 40X14 WN1412		370.5	3603	UNTERLEGSCHEIBE MITTIG ACHSE	
175	HW0005100	SCHRAUBE PT KA 40X25		370.6	MP00212	ACHSE RÄDER 413 MM	

CODE **63179**

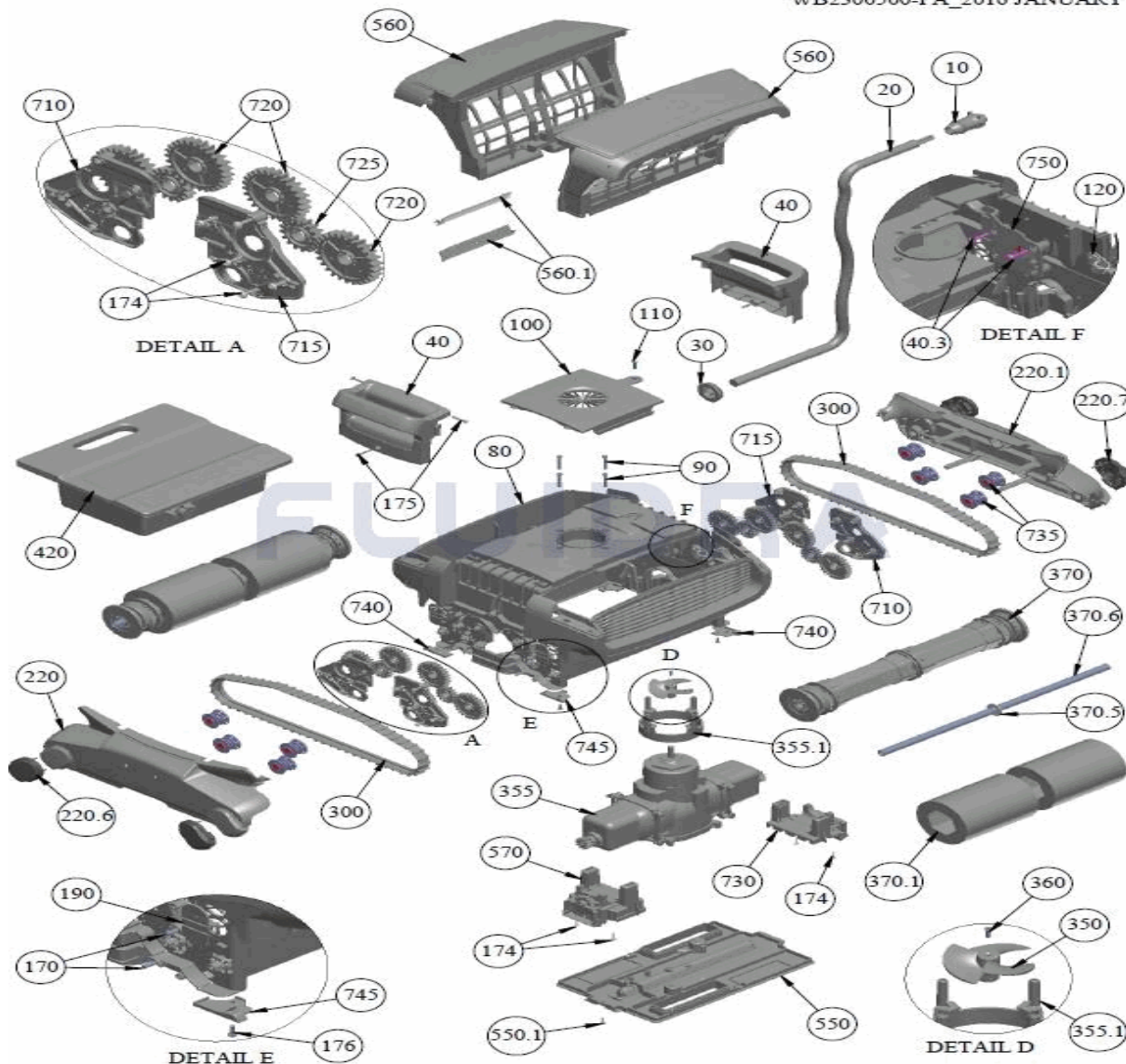
BESCHREIBUNG: **BODENREINIGER H3 DUO**

176	HW0004200	SCHRAUBE EJOT PT KB30X10	420	AS2722300-SP	TRAFO 180 W GRAU
190	PP0095300	KLAPPE WASSERAUSGANG	550	AS1050304	UNTERER GERÄTEDECKEL
560	AS1052707	FILTER BLFHUR	730	PP0093700	OMEGABRÜCKE
560,1	PP00637IV	FILTERSCHLEUSE	735	PP0095100	ROLLE KETTENLEINE
570	AS1050952	SET VIBRIERBÜRSTE FÜR BREEZER	740	PP0096500	SCHUTZVORRICHTUNG RECHTS UNTEN
710	PP0097000	BÜCHSE SEITENPLATTE LINKS	745	PP0096800	SCHUTZVORRICHTUNG LINKS UNTEN
715	PP0096900	BÜCHSE SEITENPLATTE RECHTS	750	PP0097200	KABELFÜHRUNG BREEZER
720	PP0093800	GROSSES SEITLICHES ZAHNRAD	Not shown	PL00008F	ELEKTRISCHER VERBINDER 4 PIN WEIBLIC
725	PP0093900	KLEINES SEITLICHES ZAHNRAD			

CODIGO 63179

DESCRIÇÃO: LIMPADOR DE FUNDOS H3 DUO

WB2300500-PA_2016 JANUARY



PORTUGUES

POS	CODIGO	DESCRIÇÃO	JANTIDADE	POS	CODIGO	DESCRIÇÃO	JANTIDADE
10	ASPL00002M	FICHA DE 4 PINOS		220	AS1066500	TAMPA LATERAL	
20	WA00222CGL	CONJUNTO CABO BOIA CG/18M/2C/EZ-SW		220.1	AS1066550	PLACA LATERAL	
30	PP0001623	(not defined)		220.6	PP00631GY	ROLHAS PLACA HURRICANE	
40	AS1047200	CONJUNTO PEGA		220.7	PP00675GY	ROLHAS PLACA HURRICANE COMPRIDAS	
40.3	HW0007000	PARAFUSO PT KA 50X20		300	PP00949CG	CINTA DE LAGARTA	
80	AS1019120	CONJUNTO CORPO		350	PP00952GY	HÉLICE	
90	2500	PARAFUSO 8 X 1,175 PH PN		355	AS2903130-SP	MOTOR DE TRACÇÃO	
100	PP00623IV	ORIFÍCIO IMPULSAÇÃO		355.1	PP0096400	ACESSÓRIOS BOMBA BREEZER	
110	5061	PARAFUSO 6-32 X 5/8 S/S PH PA		360	SW00069	PARAFUSO M-3 X 10 PHIL DIN-965	
120	HW0006700	FIXAÇÃO CABO		370	AS38254CG	ROLO DE ARRASTO	
170	2700	PARAFUSO 8 X 11/16 PHIL PN		370.1	3009AG	ESCOVA PVA CINZENTA (ANTIGA)	
174	HW0005800	PARAFUSO EJOT PT KA 40X14 WN1412		370.5	3603	ANILHA INTERMÉDIA DO EIXO	
175	HW0005100	PARAFUSO PT KA 40X25		370.6	MP00212	EIXO RODAS 413 MM	

CODIGO **63179**

DESCRIÇÃO: **LIMPADOR DE FUNDOS H3 DUO**

176	HW0004200	PARAFUSO EJOT PT KB30X10	420	AS2722300-SP	TRANSFORMADOR SMART EU 180 W
190	PP0095300	BARBATANA SAÍDA DE ÁGUA	550	AS1050304	CONJUNTO TAMPA INFERIOR
560	AS1052707	FILTRO BLFHUR	730	PP0093700	PONTE OMEGA
560,1	PP00637IV	COMPORTA FILTRO	735	PP0095100	CILINDRO PARA CINTA DE LAGARTA
570	AS1050952	CJTO. ESCOVA VIBRANTE PARA BREEZER	740	PP0096500	PROTETOR INFERIOR DIREITO
710	PP0097000	CASQUILHO PLACA LATERAL ESQUERDA	745	PP0096800	PROTETOR INFERIOR ESQUERDO
715	PP0096900	CASQUILHO PLACA LATERAL DIREITA	750	PP0097200	CERRA-CABOS PARA BREEZER
720	PP0093800	RODA DENTADA LATERAL GRANDE	Not shown	PL00008F	FICHA DE 4 PINOS FÊMEA
725	PP0093900	RODA DENTADA LATERAL PEQUENA			