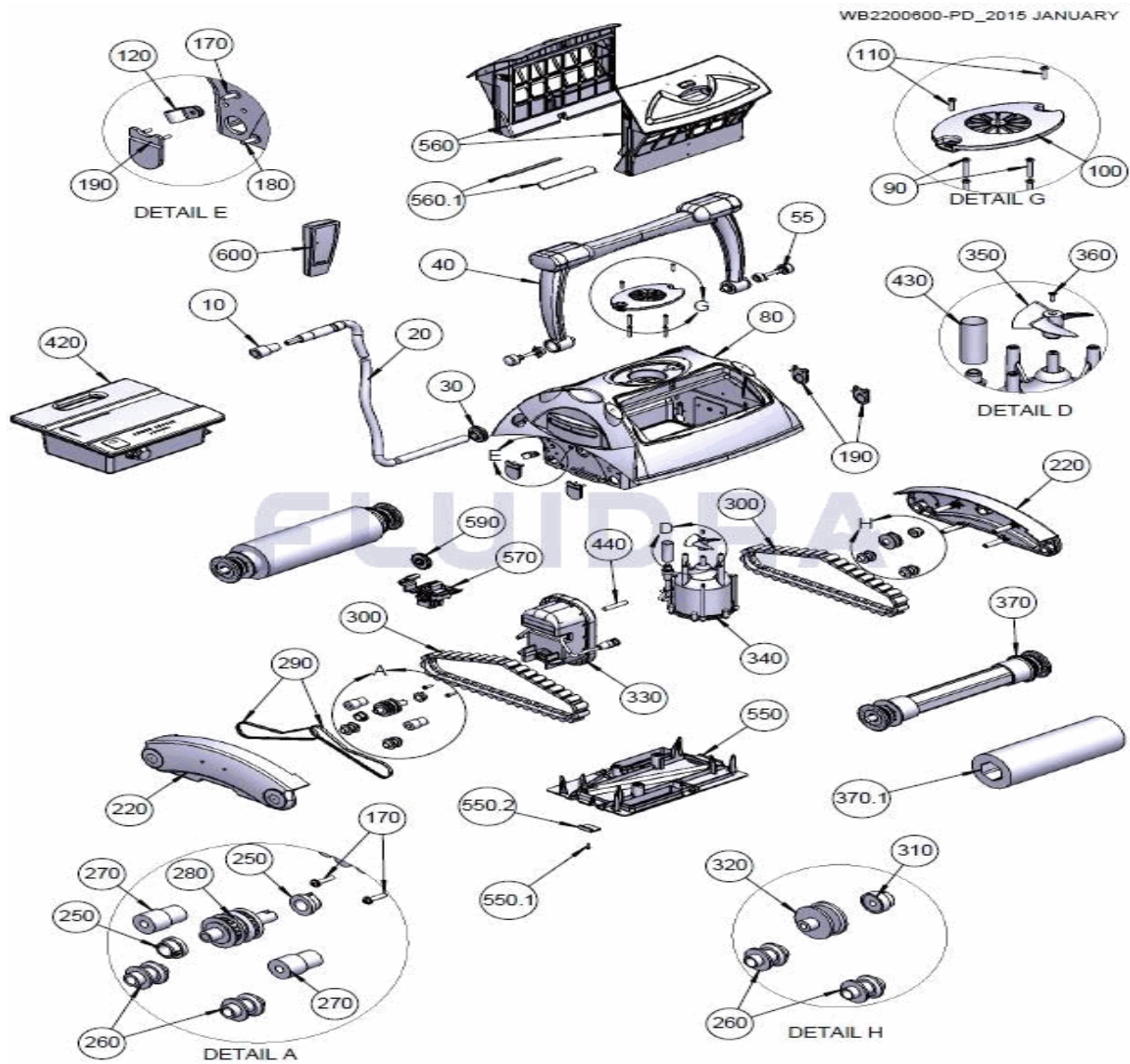


CODIGO 64574

DESCRIPCION: LIMPIAFONDOS PULIT ADVANCE 7 PLUS



ESPAÑOL

POS	CODIGO	DESCRIPCION	CANTIDAD	POS	CODIGO	DESCRIPCION	CANTIDAD
10	ASPL00002M	ENCHUFE 4 TERMINALES		260	3500	RODILLO PEQUEÑO	
20	WA00082CGL	CABLE FLOTADOR CG/18M/4C/EZ-SW/FAS		270	3506	TENSOR CORREAS DE TRACCION	
30	PP0001623	JUNTA PASACABLES		280	A3605	CONJUNTO POLEA	
40	AS0361600	CJTO. ASA		290	3302	CORREA DE TRACCION	
55	SK00005DB	PASADOR COMPLETO PARA MANGO		300	3201G	CORREA ORUGA	
80	AS1019970	CJTO. CUERPO		310	2610	ARANDELA CENTRAL	
90	2500	TORNILLO PARA MOTOR BOMBA		320	3700	RODILLO GRANDE	
100	PP000590B	TAPA SUPERIOR		330	AS08704-SP	MOTOR DE TRACCION	
110	5061	TORNILLO DE TAPA SUPERIOR		340	AS00035R-SP	MOTOR DE BOMBEO	
120	2105	SUJECION CABLE		350	P00038	HELICE	
170	2700	TORNILLO SUPERIOR LATERAL		360	SW00069	TORNILLO PARA HELICE	
180	2701	TORNILLO INFERIOR LATERAL		370	AS38246CG	RODILLO DE ARRASTRE	
190	2305N	VALVULA DE GOMA		370.1	PP03009GY	CEPILLO PVA	

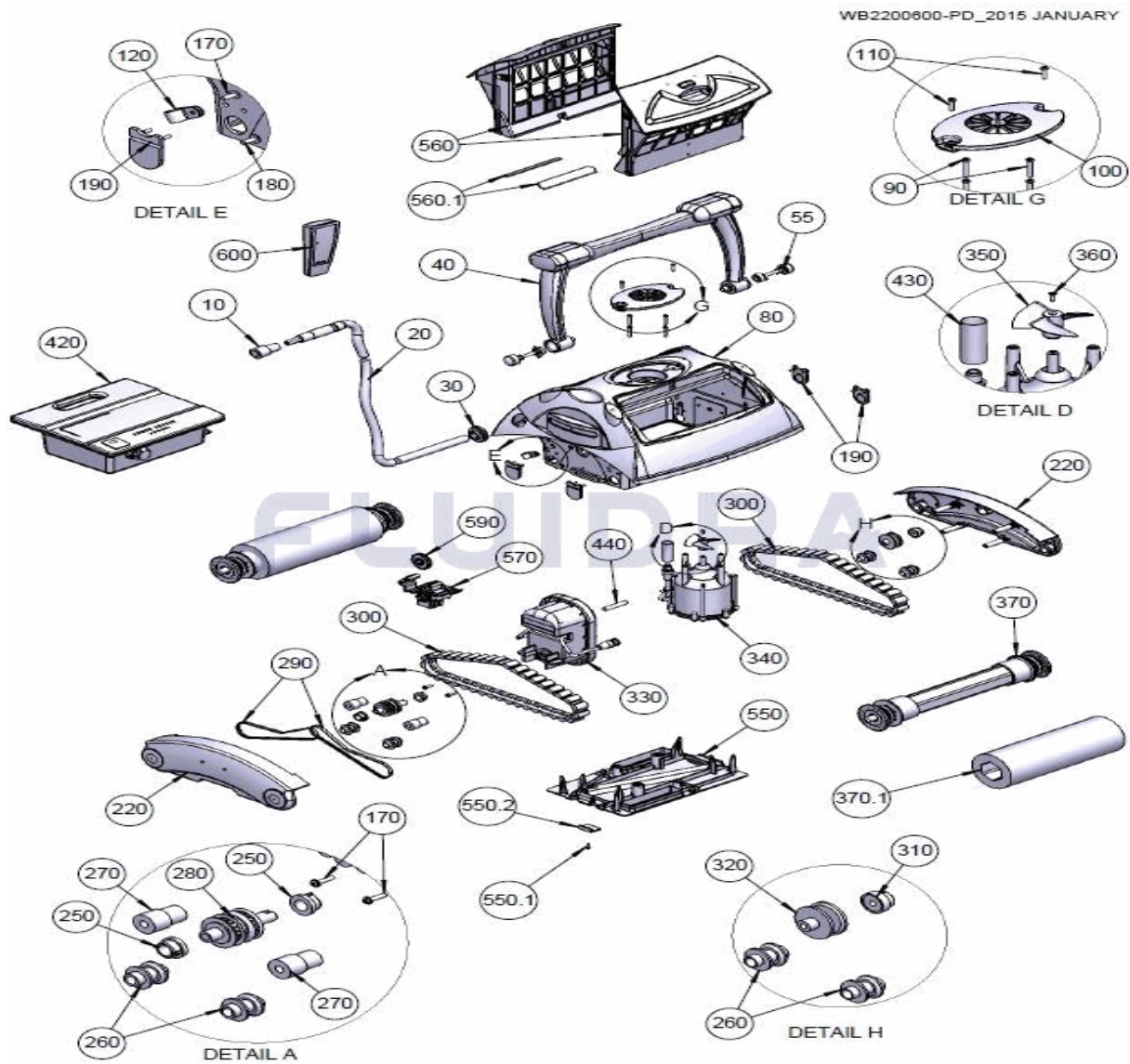
CODIGO **64574**

DESCRIPCION: LIMPIAFONDOS PULIT ADVANCE 7 PLUS

220	AS1065500	PLACA LATERAL	420	AS2723200-SP	TRANSFORMADOR 180W
250	2613	RODAMIENTO DE EJES	430	AS110162506	TUBO RETRACTIL 20/6 (60mm)
440	AS111161408	TUBO RETRACTIL 1614 (80mm)	600	RC0100500	CONTROL REMOTO
550	BS1050302	TAPA INFERIOR	N/S	AS1051307	SET FILTRO GRUESO PULIT (AZUL 2 UNIDA
550.1	SW00008	TORNILLO PT KB40X12 S/S 304	N/S	AS1051306	SET FILTRO STANDARD PULIT (AZUL 2 UNII
550.2	PP0067300	ARANDELA DE SEGURIDAD	N/S	AS1051310	SET FILTRO TELA PULIT (AZUL 2 UNIDADE\$
560	AS1051319	FILTRO DBFPEL	N/S	4613	PASADOR CON RANURA
560.1	PP00672IV	FILTRO VALVULA SUPERIOR	N/S	PP0013900	PROTECTOR CABLE
570	AS1050510	SOPORTE MECANISMO	N/S	PP0005108	FLOTADOR OVALADO
590	PP0070300	RUEDA	N/S	XW0100400	REMACHE PLASTICO 28 MM

CODE 64574

DESCRIPTION: NETTOYEUR DE FOND PULIT ADVANCE 7 PLUS



WB2200600-PD_2015 JANUARY

FRANCAIS

POS	CODE	DESCRIPTION	QUANTITE	POS	CODE	DESCRIPTION	QUANTITE
10	ASPL00002M	PRISE À 4 FICHES		260	3500	PETIT GALET	
20	WA00082CGL	CÂBLE FLOTTANT CG/18M/4C/EZ-SW/FAST		270	3506	MANCHON DE GALET	
30	PP0001623	NOT DEFINED		280	A3605	ENSEMBLE POULIE	
40	AS0361600	ENS. POIGNÉE		290	3302	COURROIE DE TRANSMISSION	
55	SK00005DB	BROCHE COMPLÈTE POUR MANCHE		300	3201G	CHENILLE	
80	AS1019970	ENSEMBLE CORPS		310	2610	RONDELLE CENTRALE	
90	2500	VIS 8X1,175 PH PN		320	3700	GRAND GALET	
100	PP00059OB	SORTIE SUPÉRIEURE		330	AS08704-SP	MOTEUR DE TRACTION	
110	5061	VIS 6-32X5/8 S/S PH PA		340	AS00035R-SP	MOTEUR DE LA POMPE	
120	2105	FIXATION CÂBLE		350	P00038	HÉLICE	
170	2700	VIS 8X11/16 PHIL PN		360	SW00069	VIS M-3X10 PHIL DIN-965	
180	2701	VIS 8X11/16PHIL PN		370	AS38246CG	ROULEAU D'ENTRAÎNEMENT	
190	2305N	VALVE CAOUTCHOUTÉE		370.1	PP03009GY	BROSSE PVA	

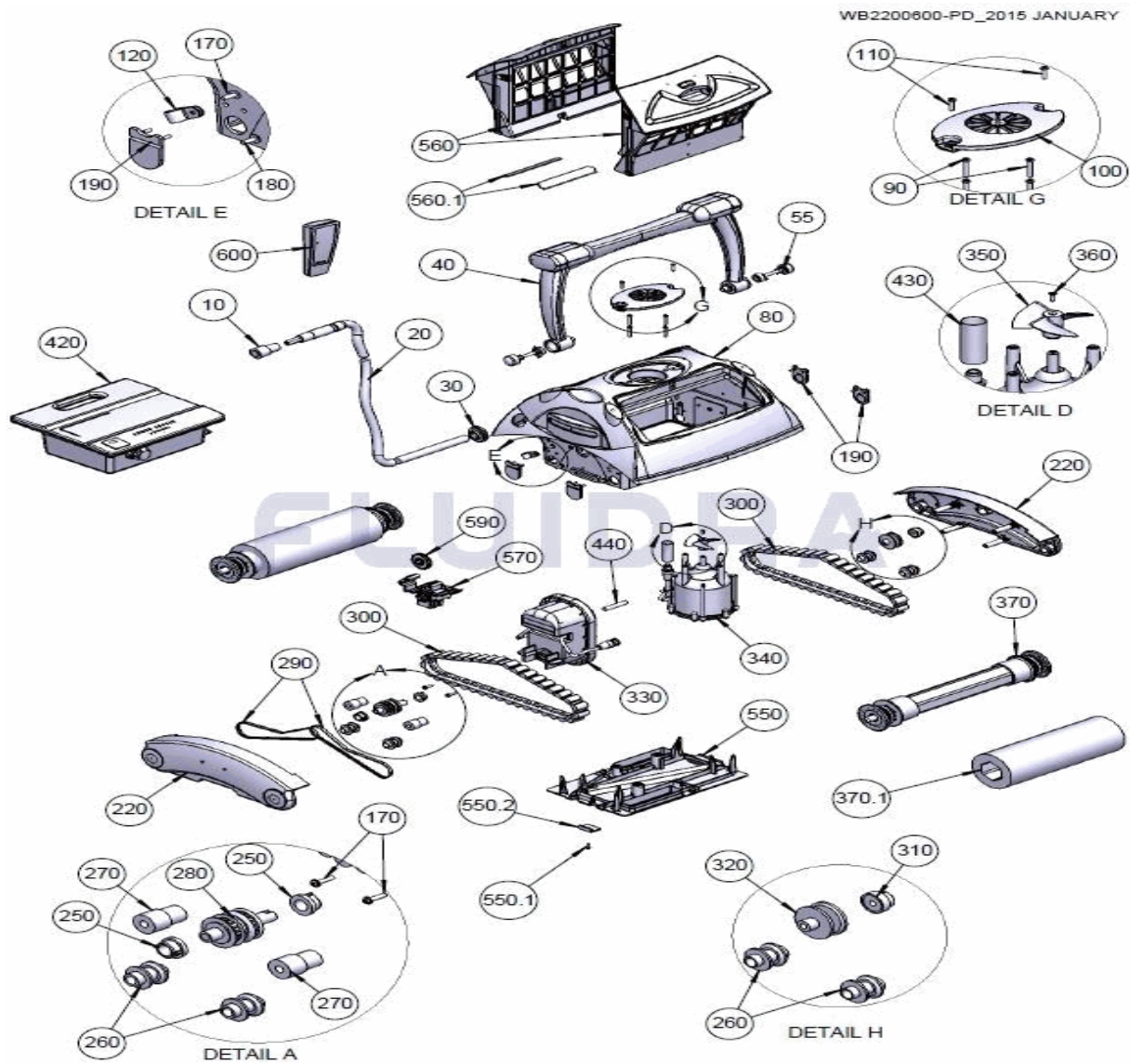
CODE **64574**

DESCRIPTION: NETTOYEUR DE FOND PULIT ADVANCE 7 PLUS

220	AS1065500	PLAQUE LATÉRALE	420	AS2723200-SP	TRANSFORMATEUR SMART EU 180W
250	2613	BAGUE EN MOLYBDÈNE	430	AS110162506	TUBE RÉTRACTABLE 20/6 (60MM)
440	AS111161408	TUBE RÉTRACTABLE 1614 (80MM)	600	RC0100500	TÉLÉCOMMANDE
550	BS1050302	COUVERCLE INFÉRIEUR	N/S	AS1051307	ENS. FILTRE ÉPAIS PULIT (BLEU 2 UNITÉS)
550.1	SW00008	VIS PT KB40X12 S/S 304	N/S	AS1051306	ENS. FILTRE STANDARD PULIT (BLEU 2 UN
550.2	PP0067300	RONDELLE DE SURETE	N/S	AS1051310	ENSEMBLE FILTRE TISSU PULIT (BLEU 2 UI
560	AS1051319	FILTRE DBFPEL	N/S	4613	GOUPILLE À RAINURE
560.1	PP00672IV	FILTRE VANNE SUPÉRIEUR	N/S	PP0013900	PROTECTEUR CÂBLE
570	AS1050510	SUPPORT MÉCANISME	N/S	PP0005108	FLOTTEUR OVALE
590	PP0070300	ROUE	N/S	XW0100400	RIVET PLASTIQUE 28 MM

CODE **64574**

DESCRIPTION: **POOL CLEANER PULIT ADVANCE 7 PLUS**



WB2200600-PD_2015 JANUARY

ENGLISH

POS	CODE	DESCRIPTION	QUANTITY	POS	CODE	DESCRIPTION	QUANTITY
10	ASPL00002M	4 PIN PLUG		260	3500	SMALL ROLLER	
20	WA00082CGL	FLOAT CABLE CG/18M/4C/EZ-SW/FAST		270	3506	SLEEVE ROLLER	
30	PP0001623	SEALING GROMMET		280	A3605	PULLEY ASSY	
40	AS0361600	HANDLE ASSY		290	3302	DRIVE BELT	
55	SK00005DB	PIN ASSY FOR HANDLE		300	3201G	DRIVE TRACK	
80	AS1019970	BODY ASSEMBLY		310	2610	BUSHING FOR LOWER CASING	
90	2500	SCREW 8X1,175 PH PN		320	3700	LARGE ROLLER	
100	PP000590B	OUTLET TOP		330	AS08704-SP	SP D. MOTOR	
110	5061	SCREW 6-32X5/8 S/S PH PA		340	AS00035R-SP	PUMP MOTOR	
120	2105	CABLE RETAINER SOPHIA		350	P00038	PROPELLER	
170	2700	SCREW 8X11/16 PHIL PN		360	SW00069	SCRERW M-3X10 PHIL DIN-965	
180	2701	SCREW 8X11/16PHIL PN		370	AS38246CG	WHEEL TUBE ASSY.	
190	2305N	RUBBER VALVE		370.1	PP03009GY	PVA BRUSH	

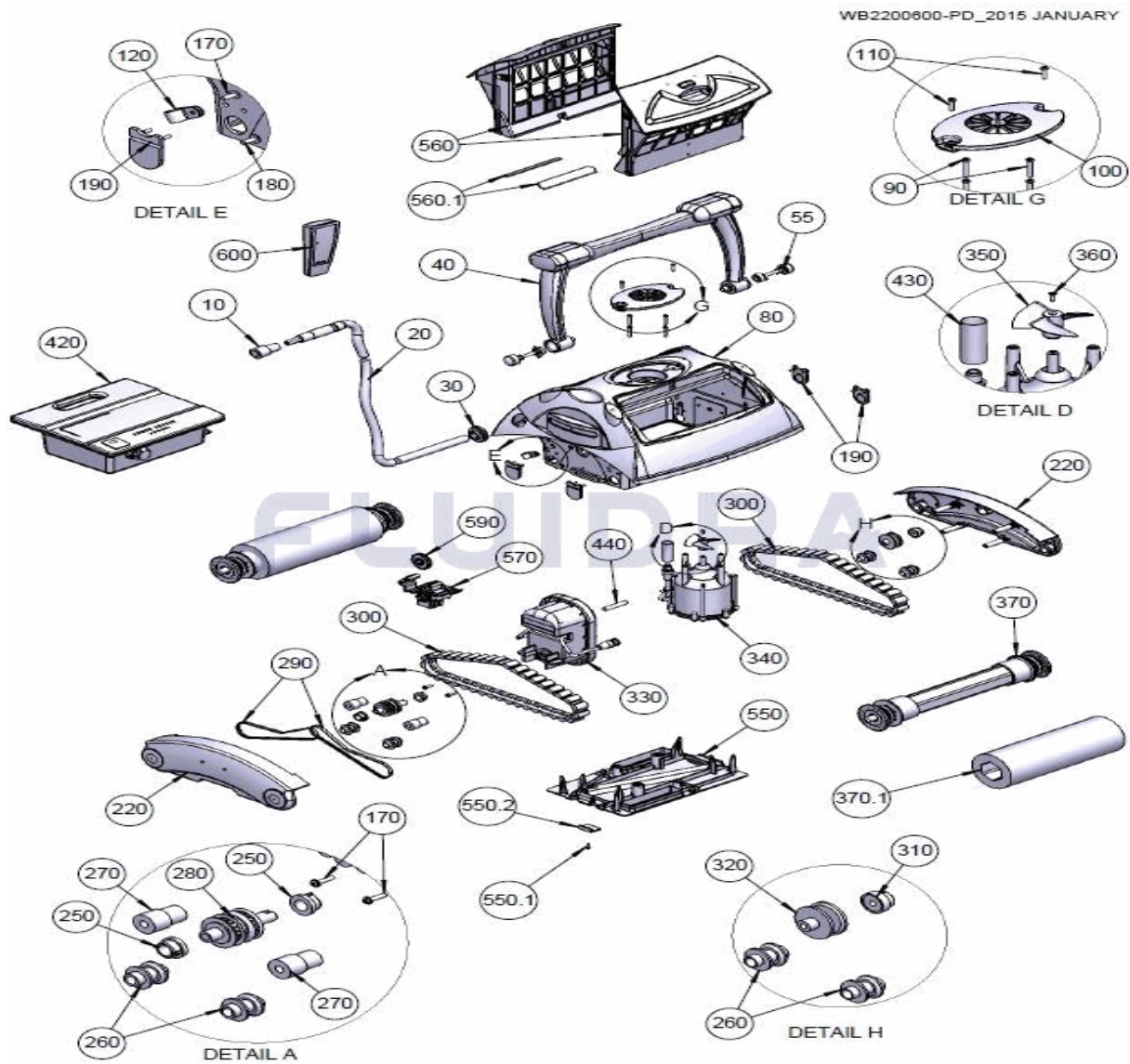
CODE **64574**

DESCRIPTION: **POOL CLEANER PULIT ADVANCE 7 PLUS**

220	AS1065500	SIDE PLATE, ROUND,	420	AS2723200-SP	SPS SMART EU 180W
250	2613	MOLYBDENUM BUSHING	430	AS110162506	SHRINK TUBE 20/6 (60MM)
440	AS111161408	SHRINK TUBE 1614 (80MM)	600	RC0100500	RC RES IDP INTEG RAD
550	BS1050302	BOTTOM LID	N/S	AS1051307	COARSE FILTER (630 MI.)
550.1	SW00008	SCREW PT KB40X12 S/S 304	N/S	AS1051306	STANDARD MESH (90 MI.)
550.2	PP0067300	SAFETY WASHER	N/S	AS1051310	SET FABRIC FILTERS FOR PULIT
560	AS1051319	DBFPEL FILTER	N/S	4613	GROOVE PIN 1/8X5/8 S/S
560.1	PP00672IV	FILTER VALVE FOR TOP NEW	N/S	PP0013900	GROMMET
570	AS1050510	NEW VB MECHANISM ASSEMBLY	N/S	PP0005108	FLOAT OVAL
590	PP0070300	WHEEL	N/S	XW0100400	SNAP RIVET NYLON 28 MM

CODICE 64574

DESCRIZIONE: PULISCIFONDI PULIT ADVANCE 7 PLUS



ITALIANO

POS	CODICE	DESCRIZIONE	QUANTITA'	POS	CODICE	DESCRIZIONE	QUANTITA'
10	ASPL00002M	PRESA A QUATTRO SPINE		260	3500	CILINDRO PICCOLO	
20	WA00082CGL	CAVO GALLEGGIANTE CG/18M/4C/EZ-SW/I		270	3506	GUAINA CILINDRO	
30	PP0001623	NOT DEFINED		280	A3605	BLOCCO PULEGGIA	
40	AS0361600	INSIEME MANIGLIA		290	3302	CINGHIA DI TRASMISSIONE	
55	SK00005DB	PASSANTE COMPLETO PER MANICO		300	3201G	CINGOLI DI TRASMISSIONE	
80	AS1019970	GRUPPO CORPO		310	2610	RONDELLA CENTRALE	
90	2500	VITE 8X1,175 PH PN		320	3700	CILINDRO GRANDE	
100	PP00059OB	SORTIE SUPÉRIEURE		330	AS08704-SP	MOTORE DI TRAZIONE	
110	5061	VITE 6-32X5/8 S/S PH PA		340	AS00035R-SP	INIETTORE A POMPA	
120	2105	ATTACCO CAVO		350	P00038	ELICA	
170	2700	VITE 8X11/16 PHIL PN		360	SW00069	VITE M-3X10 PHIL DIN-965	
180	2701	VITE 8X11/16 PHIL PN		370	AS38246CG	RULLO DI TRAINO	
190	2305N	VALVOLA DI GOMMA		370.1	PP03009GY	SPAZZOLA PVA	

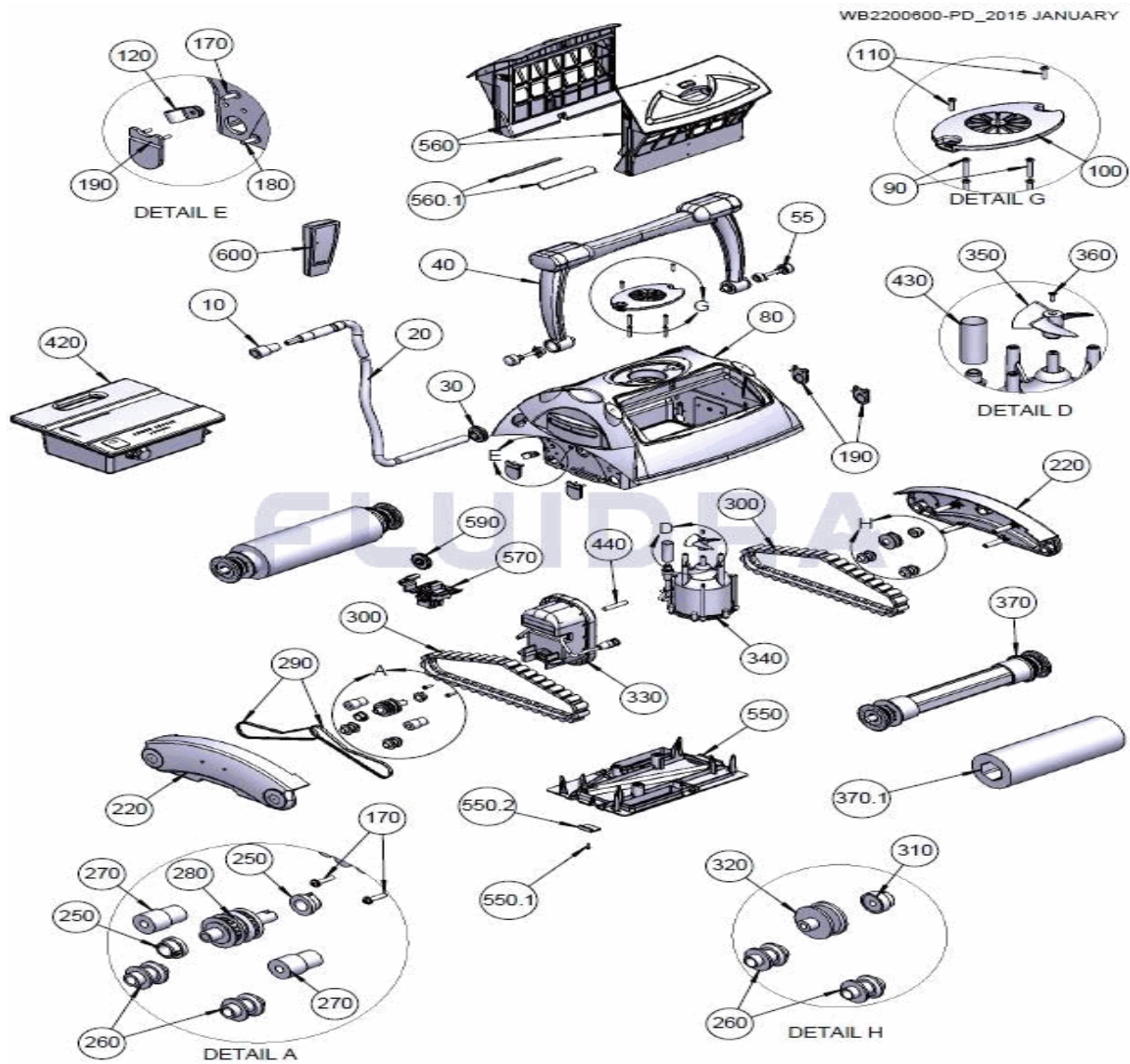
CODICE **64574**

DESCRIZIONE: **PULISCIFONDI PULIT ADVANCE 7 PLUS**

220	AS1065500	PLACCA LATERALE	420	AS2723200-SP	TRASFORMATORE SMART EU 180W
250	2613	BOCCOLA IN MOLYBDENUM	430	AS110162506	TUBO RETRACTIL 20/6 (60MM)
440	AS111161408	TUBO RETRACTIL 1614 (80MM)	600	RC0100500	CONTROLLO REMOTO
550	BS1050302	COPERTURA INFERIORE	N/S	AS1051307	SET FILTRO GRUESO PULIT (AZUL 2 UNIDA
550.1	SW00008	VITE PT KB40X12 S/S 304	N/S	AS1051306	SET FILTRO STANDARD PULIT (AZUL 2 UNII
550.2	PP0067300	RONDELLA DI SICUREZZA	N/S	AS1051310	SET FILTRO TELA PULIT (AZZURRO 2 UNIT/
560	AS1051319	FILTRO DBFPEL	N/S	4613	COPPIGLIA CON SCANALATURA
560.1	PP00672IV	FILTRO VALVOLA SUPERIORE	N/S	PP0013900	PROTETTORE CAVO
570	AS1050510	SUPPORTO MECCANISMO	N/S	PP0005108	GALLEGGIANTE OVALE
590	PP0070300	RUOTA	N/S	XW0100400	RIVETTO PLASTICA 28 MM

CODE 64574

BESCHREIBUNG: BODENREINIGER PULIT ADVANCE 7 PLUS



DEUTSCH

POS	CODE	BESCHREIBUNG	MENGE	POS	CODE	BESCHREIBUNG	MENGE
10	ASPL00002M	STECKDOSE 4 ANSCHLÜSSE		260	3500	ROLLE KLEIN	
20	WA00082CGL	SCHWIMMERKABEL CG/18M/4C/EZ-SW/FA'		270	3506	SPANNER ZUGRIEMEN	
30	PP0001623	NOT DEFINED		280	A3605	SET ANTRIEBSSCHEIBE	
40	AS0361600	SET GRIFF		290	3302	ZUGRIEMEN	
55	SK00005DB	STIFT KOMPLETT FÜR GRIFF		300	3201G	KETTENLEINE	
80	AS1019970	SET GEHÄUSE		310	2610	UNTERLEGSCHIBE MITTIG	
90	2500	SCHRAUBE FÜR PUMPENMOTOR		320	3700	ROLLE GROSS	
100	PP000590B	ABDECKUNG OBEN		330	AS08704-SP	ZUGMOTOR	
110	5061	SCHRAUBE ABDECKUNG OBEN		340	AS00035R-SP	PUMP MOTOR	
120	2105	BEFESTIGUNG KABEL		350	P00038	ANTRIEBSSCHRAUBE	
170	2700	SCHRAUBE OBEN SEITLICH		360	SW00069	SCHRAUBE FÜR ANTRIEBSSCHRAUBE	
180	2701	SCHRAUBE UNTEN SEITLICH		370	AS38246CG	SCHLEPPROLLE	
190	2305N	GUMMIVENTIL		370.1	PP03009GY	BÜRSTE PVA	

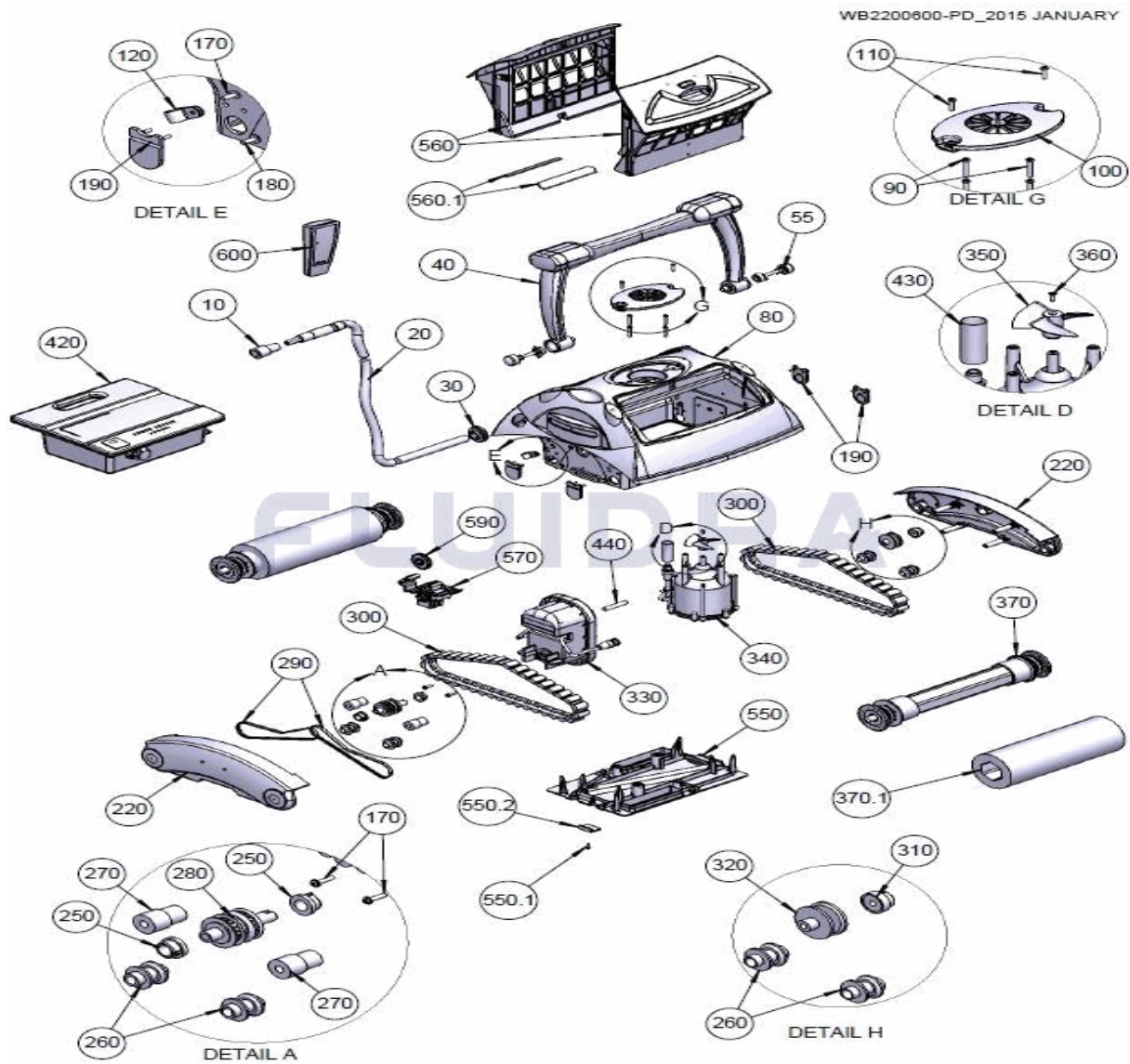
CODE **64574**

BESCHREIBUNG: **BODENREINIGER PULIT ADVANCE 7 PLUS**

220	AS1065500	PLATINE SEITLICH	420	AS2723200-SP	TRAFO 180 W
250	2613	WÄLZLAGER ACHSEN	430	AS110162506	EINLAUFROHR 20/6 (60MM)
440	AS111161408	EINLAUFROHR 1614 (80MM)	600	RC0100500	FERNBEDIENUNG
550	BS1050302	ABDECKUNG UNTEN	N/S	AS1051307	FILTERSET GROB PULIT (BLAU 2 STK)
550.1	SW00008	SCHRAUBE PT KB40 X 12 S/S 304	N/S	AS1051306	FILTERSET STANDARD PULIT (BLAU 2 STK)
550.2	PP0067300	SICHERHEITSUNTERLEGSCHIEBE	N/S	AS1051310	GEWEBEFILTERSET PULIT (BLAU 2 STK)
560	AS1051319	FILTER DBFPEL	N/S	4613	STIFT MIT SCHLITZ
560.1	PP00672IV	FILTER VENTIL OBEN	N/S	PP0013900	KABELSCHUTZ
570	AS1050510	HALTERUNG MECHANISMUS	N/S	PP0005108	SCHWIMMER OVAL
590	PP0070300	RAD	N/S	XW0100400	NIETE KUNSTSTOFF 28 MM

CODIGO **64574**

DESCRICÃO: LIMPADOR DE FUNDOS PULIT ADVANCE 7 PLUS



PORTUGUES

POS	CODIGO	DESCRICÃO	JANTIDADE	POS	CODIGO	DESCRICÃO	JANTIDADE
10	ASPL00002M	FICHA DE 4 PINOS		260	3500	ROLETE PEQUENO	
20	WA00082CGL	CONJUNTO CABO BOIA CG/18M/4C/EZ-SW		270	3506	ROLETE DE BORRACHA	
30	PP0001623	NOT DEFINED		280	A3605	CONJUNTO ROLDANA	
40	AS0361600	CJTO. PEGA		290	3302	CORREIA DE TRANSMISSÃO	
55	SK00005DB	PASSADOR COMPLETO PARA PEGA		300	3201G	LAGARTA DE TRACÇÃO	
80	AS1019970	CONJUNTO CORPO		310	2610	ANILHA CENTRAL	
90	2500	PARAFUSO 8 X 1,175 PH PN		320	3700	ROLETE GRANDE	
100	PP00059OB	SORTIE SUPÉRIEURE		330	AS08704-SP	MOTOR DE TRACÇÃO	
110	5061	PARAFUSO 6-32 X 5/8 S/S PH PA		340	AS00035R-SP	BOMBA MOTOR	
120	2105	FIXAÇÃO CABO		350	P00038	HÉLICE	
170	2700	PARAFUSO 8 X 11/16 PHIL PN		360	SW00069	PARAFUSO M-3 X 10 PHIL DIN-965	
180	2701	PARAFUSO 8 X 11/16 PHIL PN		370	AS38246CG	ROLO DE ARRASTO	
190	2305N	VÁLVULA DE BORRACHA		370.1	PP03009GY	ESCOVA PVA	

CODIGO **64574**

DESCRIÇÃO: **LIMPADOR DE FUNDOS PULIT ADVANCE 7 PLUS**

220	AS1065500	PLACA LATERAL	420	AS2723200-SP	TRANSFORMADOR SMART EU 180 W
250	2613	BUCHA MOLIBDÉNIO	430	AS110162506	TUBO ENCOLHÍVEL 20/6 (60MM)
440	AS111161408	TUBO ENCOLHÍVEL 1614 (80MM)	600	RC0100500	CONTROLO REMOTO
550	BS1050302	TAMPA INFERIOR	N/S	AS1051307	SET FILTRO GROSSO PULIT (AZUL 2 UNIDA
550.1	SW00008	PARAFUSO PT KB40 X 12 S/S 304	N/S	AS1051306	SET FILTRO STANDARD PULIT (AZUL 2 UNII
550.2	PP0067300	ANILHA DE SEGURANÇA	N/S	AS1051310	CONJ. FILTRO TECIDO PULIT (AZUL 2 UNID
560	AS1051319	FILTRO DBFPEL	N/S	4613	PASSADOR COM RANHURA
560.1	PP00672IV	FILTRO VÁLVULA SUPERIOR	N/S	PP0013900	PROTETOR CABO
570	AS1050510	SUPORTE MECANISMO	N/S	PP0005108	BOIA OVALADA
590	PP0070300	RODA	N/S	XW0100400	REBITE PLÁSTICO 28 MM