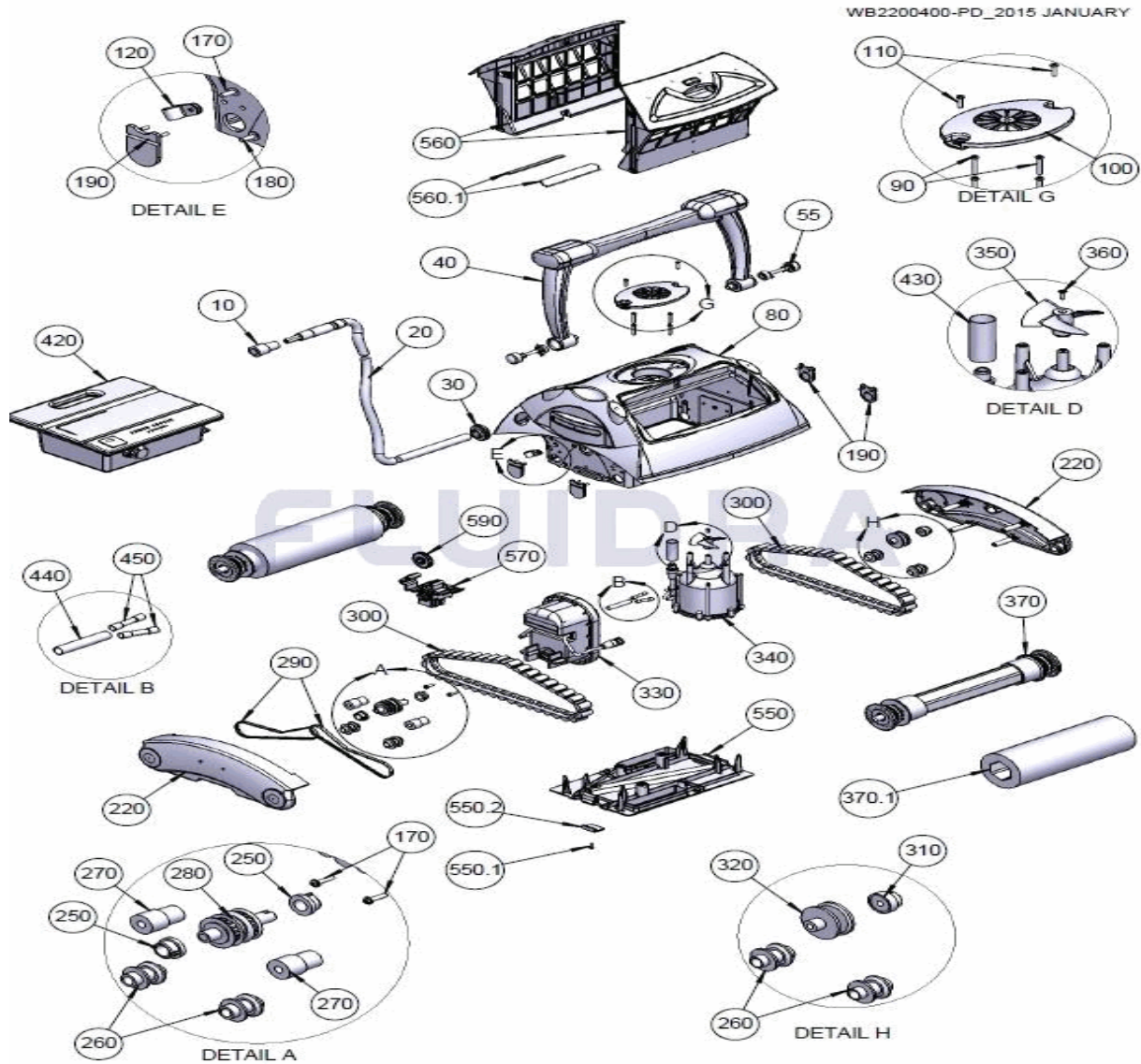


CODIGO 63176

DESCRIPCION: LIMPIAFONDOS PULIT ADVANCE 5 PLUS



WB2200400-PD_2015 JANUARY

ESPAÑOL

POS	CODIGO	DESCRIPCION	CANTIDAD	POS	CODIGO	DESCRIPCION	CANTIDAD
10	ASPL00002M	ENCHUFE 4 TERMINALES		260	3500	RODILLO PEQUEÑO	
20	WA00100CGL	CABLE FLOTADOR CG/18M/2C		270	3506	TENSOR CORREAS DE TRACCION	
30	PP0001623	JUNTA PASACABLES		280	A3605	CONJUNTO POLEA	
40	AS0361600	CJTO. ASA		290	3302	CORREA DE TRACCION	
55	SK00005DB	PASADOR COMPLETO PARA MANGO		300	3201G	CORREA ORUGA	
80	AS1019970	CJTO. CUERPO		310	2610	ARANDELA CENTRAL	
90	2500	TORNILLO PARA MOTOR BOMBA		320	3700	RODILLO GRANDE	
100	PP000590B	TAPA SUPERIOR		330	AS08703-SP	MOTOR DE TRACCION	
110	5061	TORNILLO DE TAPA SUPERIOR		340	AS00035R-SP	MOTOR DE BOMBEO	
120	HW0006700	SUJECION CABLE		350	P00038	HELICE	
170	2700	TORNILLO SUPERIOR LATERAL		360	SW00069	TORNILLO PARA HELICE	
180	2701	TORNILLO INFERIOR LATERAL		370	AS38246CG	RODILLO DE ARRASTRE	
190	2305N	VALVULA DE GOMA		370.1	PP03009GY	CEPILLO PVA	

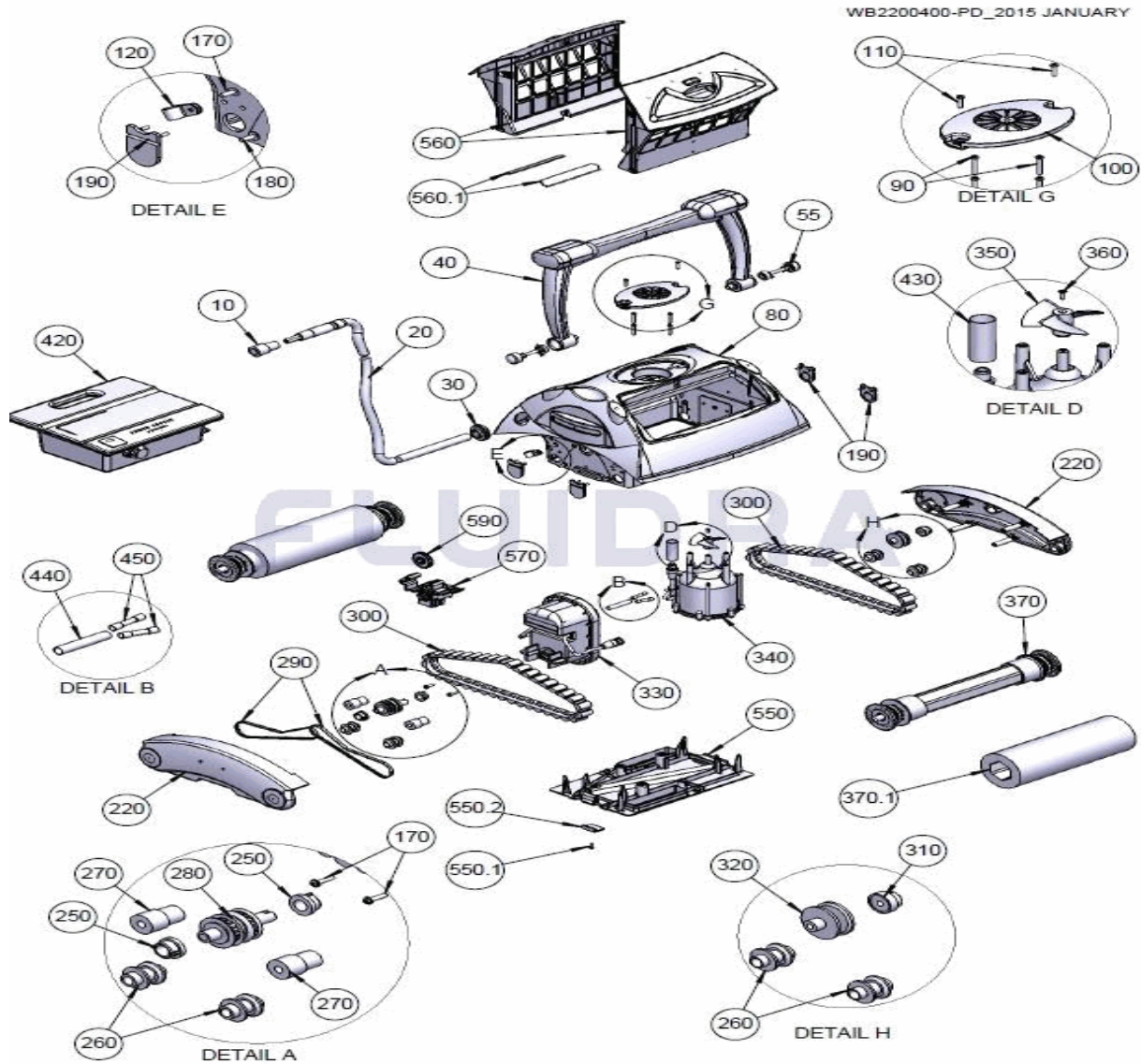
CODIGO **63176**

DESCRIPCION: LIMPIAFONDOS PULIT ADVANCE 5 PLUS

220	AS1065500	PLACA LATERAL	420	AS2722300-SP	TRANSFORMADOR 180W GRIS
250	2613	RODAMIENTO DE EJES	430	AS110162506	TUBO RETRACTIL 20/6 (60mm)
440	AS110011010	TUBO RETRACTIL 16/4 WCSM	N/S	4613	PASADOR CON RANURA
450	5473	CONECTOR RETRÁCTIL ROJO	N/S	AS110300001	SELLANTE BUTIL MASTIC
550	BS1050302	TAPA INFERIOR	N/S	PP0013900	PROTECTOR CABLE
550.1	SW00008	TORNILLO PT KB40X12 S/S 304	N/S	AS1051307	SET FILTRO GRUESO PULIT (AZUL 2 UNIDA
550.2	PP0067300	ARANDELA DE SEGURIDAD	N/S	AS1051306	SET FILTRO STANDARD PULIT (AZUL 2 UNII
560	AS1051319	FILTRO DBFPEL	N/S	AS1051310	SET FILTRO TELA PULIT (AZUL 2 UNIDADE\$
560.1	PP00672IV	FILTRO VALVULA SUPERIOR	N/S	PP0005108	FLOTADOR OVALADO
570	AS1050510	SOPORTE MECANISMO	N/S	XW0100400	REMACHE PLASTICO 28 MM
590	PP0070300	RUEDA			

CODE 63176

DESCRIPTION: NETTOYEUR DE FOND PULIT ADVANCE 5 PLUS



WB2200400-PD_2015 JANUARY

FRANCAIS

POS	CODE	DESCRIPTION	QUANTITE	POS	CODE	DESCRIPTION	QUANTITE
10	ASPL00002M	PRISE À 4 FICHES		260	3500	PETIT GALET	
20	WA00100CGL	CÂBLE FLOTTANT CG/18M/2C		270	3506	MANCHON DE GALET	
30	PP0001623	(not defined)		280	A3605	ENSEMBLE POULIE	
40	AS0361600	ENS. POIGNÉE		290	3302	COURROIE DE TRANSMISSION	
55	SK00005DB	BROCHE COMPLÈTE POUR MANCHE		300	3201G	CHENILLE	
80	AS1019970	ENSEMBLE CORPS		310	2610	RONDELLE CENTRALE	
90	2500	VIS 8X1,175 PH PN		320	3700	GRAND GALET	
100	PP00059OB	SORTIE SUPÉRIEURE		330	AS08703-SP	MOTEUR DE TRACTION	
110	5061	VIS 6-32X5/8 S/S PH PA		340	AS00035R-SP	MOTEUR DE LA POMPE	
120	HW0006700	FIXATION CÂBLE		350	P00038	HÉLICE	
170	2700	VIS 8X11/16 PHIL PN		360	SW00069	VIS M-3X10 PHIL DIN-965	
180	2701	VIS 8X11/16PHIL PN		370	AS38246CG	ROULEAU D'ENTRAÎNEMENT	
190	2305N	VALVE CAOUTCHOUTÉE		370.1	PP03009GY	BROSSE PVA	

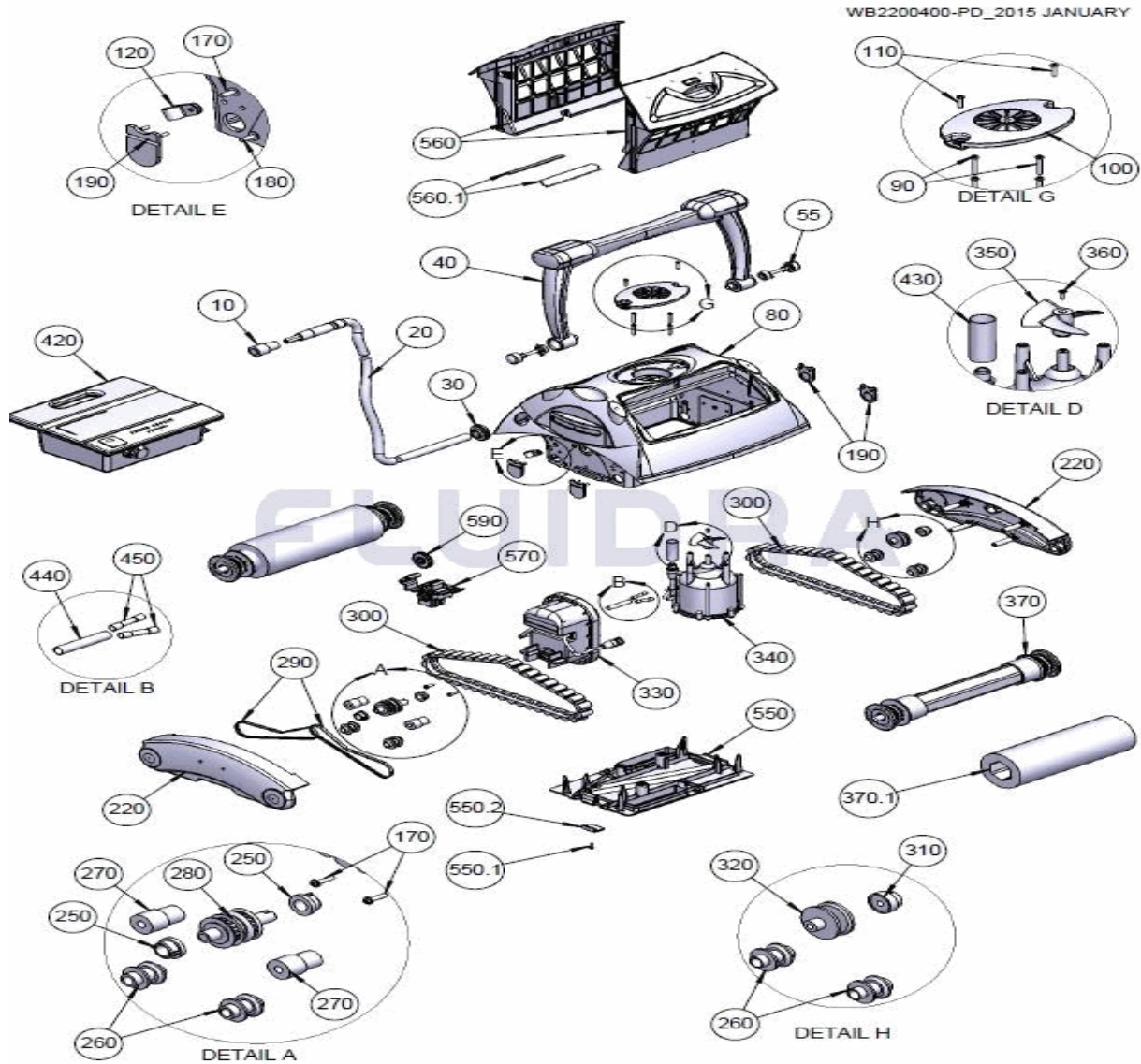
CODE **63176**

DESCRIPTION: **NETTOYEUR DE FOND PULIT ADVANCE 5 PLUS**

220	AS1065500	PLAQUE LATÉRALE	420	AS2722300-SP	TRANSFORMATEUR SMART EU 180W
250	2613	BAGUE EN MOLYBDÈNE	430	AS110162506	TUBE RÉTRACTABLE 20/6 (60MM)
440	AS110011010	TUYAU RÉTRACTILE 16/4 WCSM	N/S	4613	GOUPILLE À RAINURE
450	5473	CONNECTEUR BOUT À BOUT	N/S	AS110300001	MASTIC ÉTANCHÉITÉ
550	BS1050302	COUVERCLE INFÉRIEUR	N/S	PP0013900	PROTECTEUR CÂBLE
550.1	SW00008	VIS PT KB40X12 S/S 304	N/S	AS1051307	ENS. FILTRE ÉPAIS PULIT (BLEU 2 UNITÉS)
550.2	PP0067300	RONDELLE DE SURETE	N/S	AS1051306	ENS. FILTRE STANDARD PULIT (BLEU 2 UN
560	AS1051319	FILTRE DBFPEL	N/S	AS1051310	ENSEMBLE FILTRE TISSU PULIT (BLEU 2 UI
560.1	PP00672IV	FILTRE VANNE SUPÉRIEUR	N/S	PP0005108	FLOTTEUR OVALE
570	AS1050510	SUPPORT MÉCANISME	N/S	XW0100400	RIVET PLASTIQUE 28 MM
590	PP0070300	ROUE			

CODE 63176

DESCRIPTION: POOL CLEANER PULIT ADVANCE 5 PLUS



WB2200400-PD_2015 JANUARY

ENGLISH

POS	CODE	DESCRIPTION	QUANTITY	POS	CODE	DESCRIPTION	QUANTITY
10	ASPL00002M	4 PIN PLUG		260	3500	SMALL ROLLER	
20	WA00100CGL	FLOAT CABLE CG/18M/2C		270	3506	SLEEVE ROLLER	
30	PP0001623	SEALING GROMMET		280	A3605	PULLEY ASSY	
40	AS0361600	HANDLE ASSY		290	3302	DRIVE BELT	
55	SK00005DB	PIN ASSY FOR HANDLE		300	3201G	DRIVE TRACK	
80	AS1019970	BODY ASSEMBLY		310	2610	BUSHING FOR LOWER CASING	
90	2500	SCREW 8X1,175 PH PN		320	3700	LARGE ROLLER	
100	PP000590B	OUTLET TOP		330	AS08703-SP	SP D.MOTOR M2BR1C320	
110	5061	SCREW 6-32X5/8 S/S PH PA		340	AS00035R-SP	PUMP MOTOR	
120	HW0006700	CABLE RETAINER SOPHIA		350	P00038	PROPELLER	
170	2700	SCREW 8X11/16 PHIL PN		360	SW00069	SCRERW M-3X10 PHIL DIN-965	
180	2701	SCREW 8X11/16PHIL PN		370	AS38246CG	WHEEL TUBE ASSY.	
190	2305N	RUBBER VALVE		370.1	PP03009GY	PVA BRUSH	

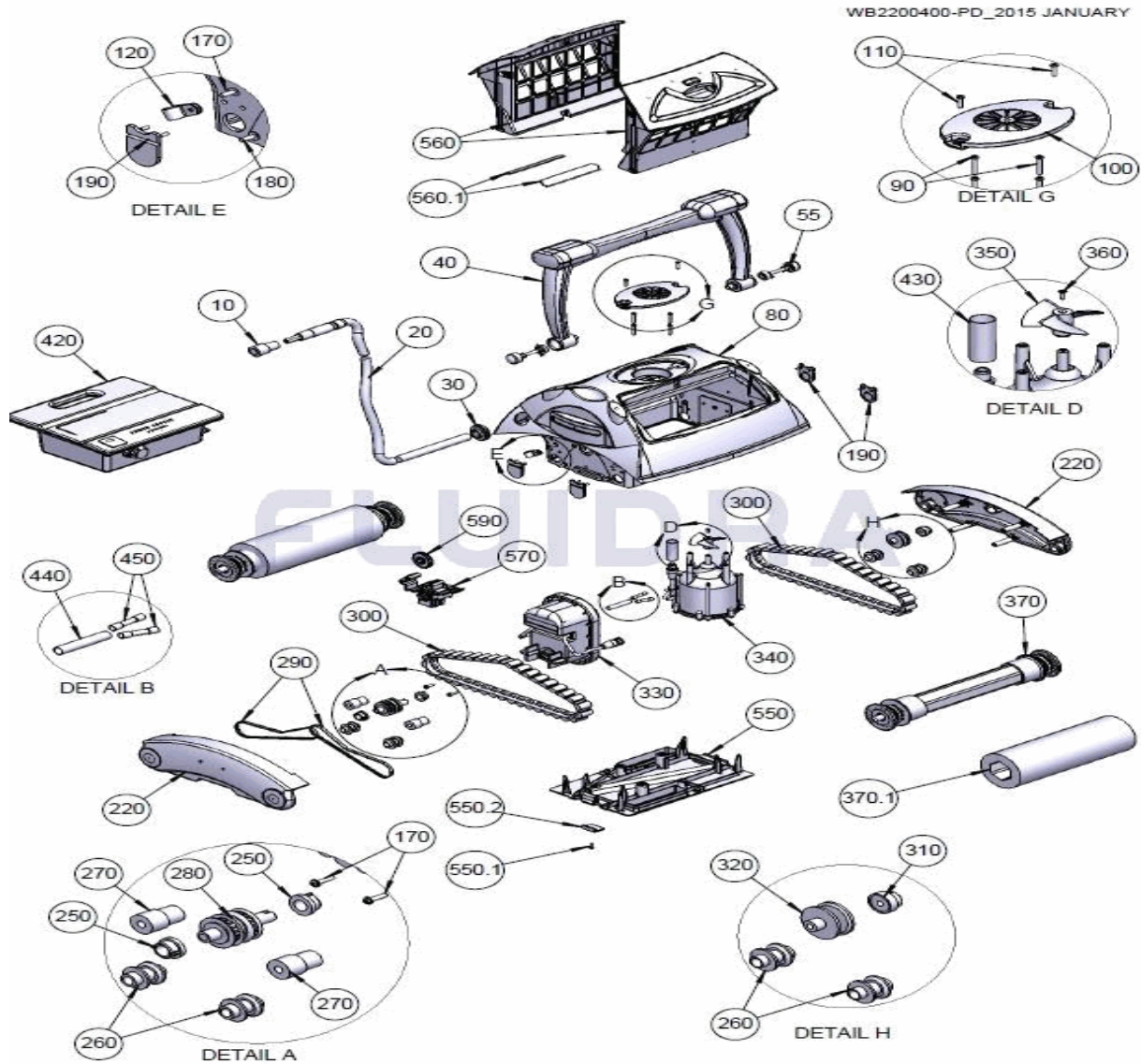
CODE **63176**

DESCRIPTION: **POOL CLEANER PULIT ADVANCE 5 PLUS**

220	AS1065500	SIDE PLATE, ROUND,	420	AS2722300-SP	SPS SMART EU 180W GRIS
250	2613	MOLYBDENUM BUSHING	430	AS110162506	SHRINK TUBE 20/6 (60MM)
440	AS110011010	SHRINK TUBE 16/4 WCSM	N/S	4613	GROOVE PIN 1/8X5/8 S/S
450	5473	BUTT CONNECTOR	N/S	AS110300001	SEALANT MASTIC
550	BS1050302	BOTTOM LID	N/S	PP0013900	GROMMET
550.1	SW00008	SCREW PT KB40X12 S/S 304	N/S	AS1051307	COARSE FILTER (630 MI.)
550.2	PP0067300	SAFETY WASHER	N/S	AS1051306	STANDARD MESH (90 MI.)
560	AS1051319	DBFPEL FILTER	N/S	AS1051310	SET FABRIC FILTERS FOR PULIT
560.1	PP00672IV	FILTER VALVE FOR TOP NEW	N/S	PP0005108	FLOAT OVAL
570	AS1050510	NEW VB MECHANISM ASSEMBLY	N/S	XW0100400	SNAP RIVET NYLON 28 MM
590	PP0070300	WHEEL			

CODICE 63176

DESCRIZIONE: PULISCIFONDI PULIT ADVANCE 5 PLUS



ITALIANO

POS	CODICE	DESCRIZIONE	QUANTITA'	POS	CODICE	DESCRIZIONE	QUANTITA'
10	ASPL00002M	PRESA A QUATTRO SPINE		260	3500	CILINDRO PICCOLO	
20	WA00100CGL	CAVO GALLEGGIANTE CG/18M/2C		270	3506	GUAINA CILINDRO	
30	PP0001623	(not defined)		280	A3605	BLOCCO PULEGGIA	
40	AS0361600	INSIEME MANIGLIA		290	3302	CINGHIA DI TRASMISSIONE	
55	SK00005DB	PASSANTE COMPLETO PER MANICO		300	3201G	CINGOLI DI TRASMISSIONE	
80	AS1019970	GRUPPO CORPO		310	2610	RONDELLA CENTRALE	
90	2500	VITE 8X1,175 PH PN		320	3700	CILINDRO GRANDE	
100	PP00059OB	SORTIE SUPÉRIEURE		330	AS08703-SP	MOTORE DI TRAZIONE	
110	5061	VITE 6-32X5/8 S/S PH PA		340	AS00035R-SP	INIETTORE A POMPA	
120	HW0006700	ATTACCO CAVO		350	P00038	ELICA	
170	2700	VITE 8X11/16 PHIL PN		360	SW00069	VITE M-3X10 PHIL DIN-965	
180	2701	VITE 8X11/16 PHIL PN		370	AS38246CG	RULLO DI TRAINO	
190	2305N	VALVOLA DI GOMMA		370.1	PP03009GY	SPAZZOLA PVA	

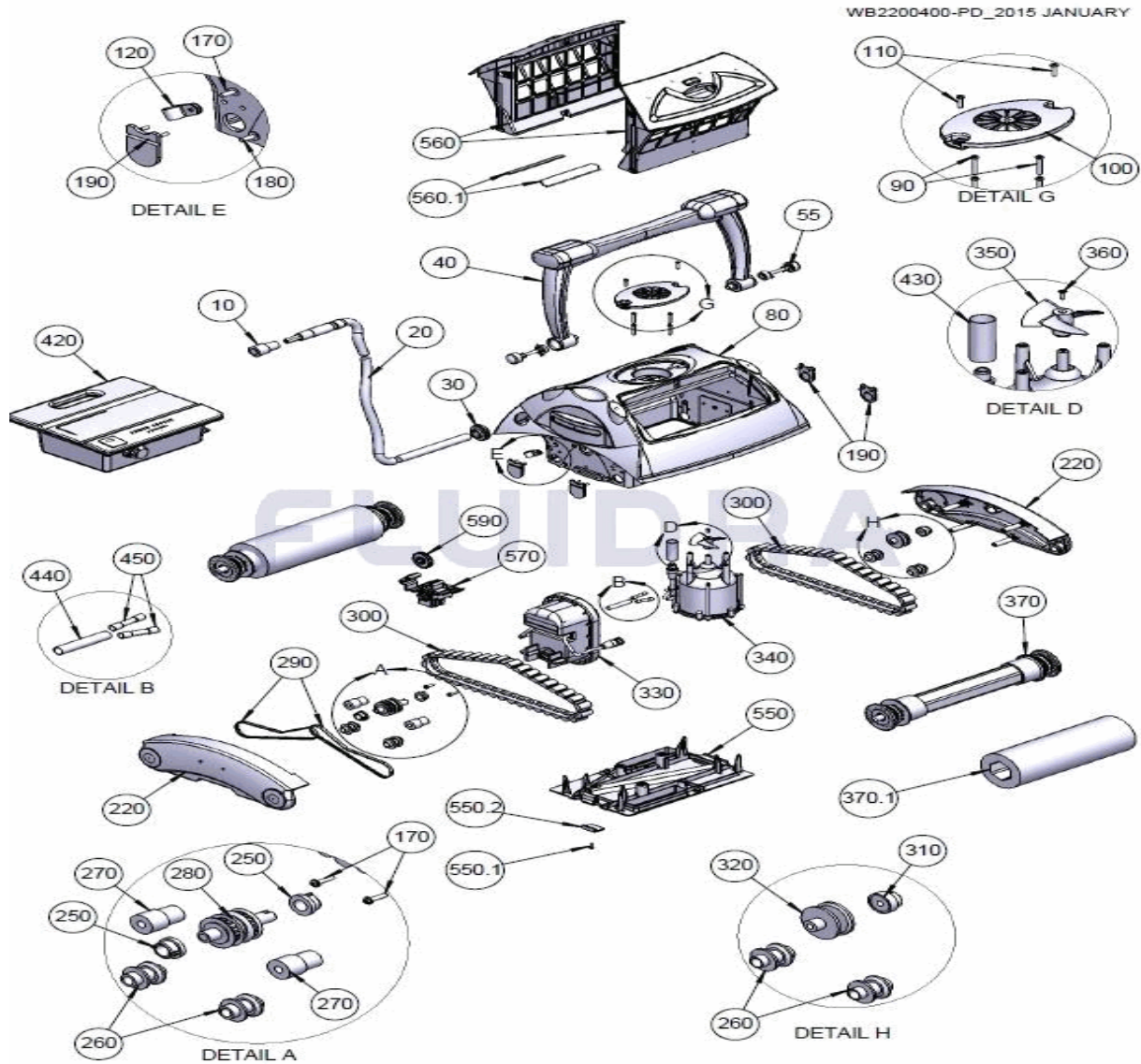
CODICE **63176**

DESCRIZIONE: **PULISCIFONDI PULIT ADVANCE 5 PLUS**

220	AS1065500	PLACCA LATERALE	420	AS2722300-SP	TRASFORMATORE SMART EU 180W
250	2613	BOCCOLA IN MOLYBDENUM	430	AS110162506	TUBO RETRACTIL 20/6 (60MM)
440	AS110011010	TUBO RETRACTIL 16/4 WCSM	N/S	4613	COPPIGLIA CON SCANALATURA
450	5473	CONNETTORI ISOLATI DI ESTREMITÀ	N/S	AS110300001	STUCCO TENUTA STAGNA
550	BS1050302	COPERTURA INFERIORE	N/S	PP0013900	PROTETTORE CAVO
550.1	SW00008	VITE PT KB40X12 S/S 304	N/S	AS1051307	SET FILTRO GRUESO PULIT (AZUL 2 UNIDA
550.2	PP0067300	RONDELLA DI SICUREZZA	N/S	AS1051306	SET FILTRO STANDARD PULIT (AZUL 2 UNII
560	AS1051319	FILTRO DBFPEL	N/S	AS1051310	SET FILTRO TELA PULIT (AZZURRO 2 UNIT)
560.1	PP00672IV	FILTRO VALVOLA SUPERIORE	N/S	PP0005108	GALLEGGIANTE OVALE
570	AS1050510	SUPPORTO MECCANISMO	N/S	XW0100400	RIVETTO PLASTICA 28 MM
590	PP0070300	RUOTA			

CODE 63176

BESCHREIBUNG: BODENREINIGER PULIT ADVANCE 5 PLUS



DEUTSCH

POS	CODE	BESCHREIBUNG	MENGE	POS	CODE	BESCHREIBUNG	MENGE
10	ASPL00002M	STECKDOSE 4 ANSCHLÜSSE		260	3500	ROLLE KLEIN	
20	WA00100CGL	SCHWIMMERKABEL CG/18M/2C		270	3506	SPANNER ZUGRIEMEN	
30	PP0001623	(not defined)		280	A3605	SET ANTRIEBSSCHEIBE	
40	AS0361600	SET GRIFF		290	3302	ZUGRIEMEN	
55	SK00005DB	STIFT KOMPLETT FÜR GRIFF		300	3201G	KETTENLEINE	
80	AS1019970	SET GEHÄUSE		310	2610	UNTERLEGSSCHEIBE MITTIG	
90	2500	SCHRAUBE FÜR PUMPENMOTOR		320	3700	ROLLE GROSS	
100	PP000590B	ABDECKUNG OBEN		330	AS08703-SP	ZUGMOTOR	
110	5061	SCHRAUBE ABDECKUNG OBEN		340	AS00035R-SP	PUMPENMOTOR	
120	HW0006700	BEFESTIGUNG KABEL		350	P00038	ANTRIEBSSCHRAUBE	
170	2700	SCHRAUBE OBEN SEITLICH		360	SW00069	SCHRAUBE FÜR ANTRIEBSSCHRAUBE	
180	2701	SCHRAUBE UNTEN SEITLICH		370	AS38246CG	SCHLEPPROLLE	
190	2305N	GUMMIVENTIL		370.1	PP03009GY	BÜRSTE PVA	

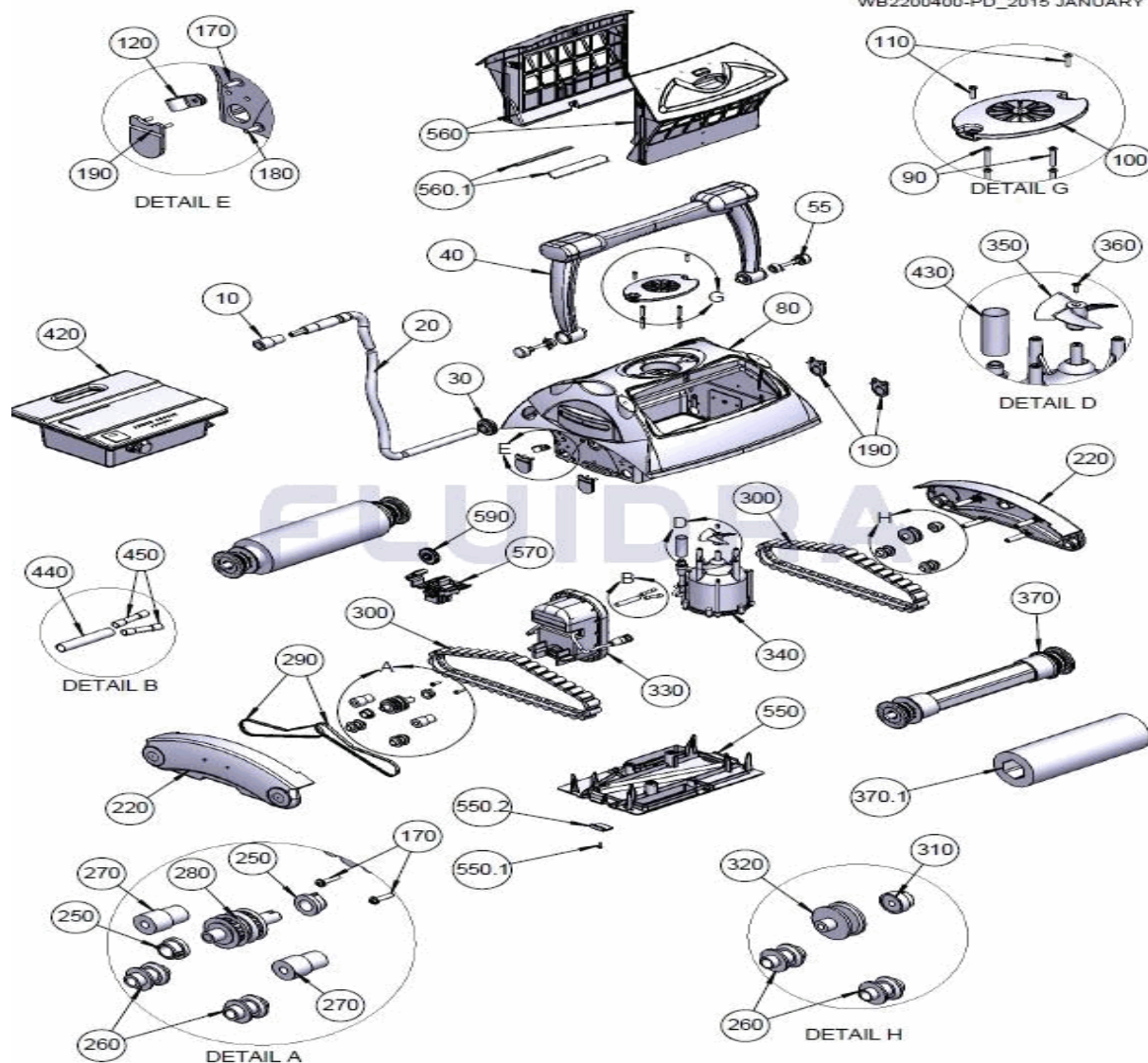
CODE **63176**

BESCHREIBUNG: **BODENREINIGER PULIT ADVANCE 5 PLUS**

220	AS1065500	PLATINE SEITLICH	420	AS2722300-SP	TRAFO 180 W GRAU
250	2613	WÄLZLAGER ACHSEN	430	AS110162506	EINLAUFROHR 20/6 (60MM)
440	AS110011010	ROHR 16/4 WCSM	N/S	4613	STIFT MIT SCHLITZ
450	5473	VERBINDUNGSSTÜCK ROT	N/S	AS110300001	DICHTMASSE
550	BS1050302	ABDECKUNG UNTEN	N/S	PP0013900	KABELSCHUTZ
550.1	SW00008	SCHRAUBE PT KB40 X 12 S/S 304	N/S	AS1051307	FILTERSET GROB PULIT (BLAU 2 STK)
550.2	PP0067300	SICHERHEITSUNTERLEGSCHIEBE	N/S	AS1051306	FILTERSET STANDARD PULIT (BLAU 2 STK)
560	AS1051319	FILTER DBFPEL	N/S	AS1051310	GEWEBEFILTERSET PULIT (BLAU 2 STK)
560.1	PP00672IV	FILTER VENTIL OBEN	N/S	PP0005108	SCHWIMMER OVAL
570	AS1050510	HALTERUNG MECHANISMUS	N/S	XW0100400	NIETE KUNSTSTOFF 28 MM
590	PP0070300	RAD			

CODIGO 63176

DESCRIÇÃO: LIMPADOR DE FUNDOS PULIT ADVANCE 5 PLUS



PORTUGUES

POS	CODIGO	DESCRIÇÃO	JANTIDADE	POS	CODIGO	DESCRIÇÃO	JANTIDADE
10	ASPL00002M	FICHA DE 4 PINOS		260	3500	ROLETE PEQUENO	
20	WA00100CGL	CONJUNTO CABO DA BOIA CG/18M/2C		270	3506	ROLETE DE BORRACHA	
30	PP0001623	(not defined)		280	A3605	CONJUNTO ROLDANA	
40	AS0361600	CJTO. PEGA		290	3302	CORREIA DE TRANSMISSÃO	
55	SK00005DB	PASSADOR COMPLETO PARA PEGA		300	3201G	LAGARTA DE TRACÇÃO	
80	AS1019970	CONJUNTO CORPO		310	2610	ANILHA CENTRAL	
90	2500	PARAFUSO 8 X 1,175 PH PN		320	3700	ROLETE GRANDE	
100	PP000590B	SORTIE SUPÉRIEURE		330	AS08703-SP	MOTOR DE TRACÇÃO	
110	5061	PARAFUSO 6-32 X 5/8 S/S PH PA		340	AS00035R-SP	BOMBA MOTOR	
120	HW0006700	FIXAÇÃO CABO		350	P00038	HÉLICE	
170	2700	PARAFUSO 8 X 11/16 PHIL PN		360	SW00069	PARAFUSO M-3 X 10 PHIL DIN-965	
180	2701	PARAFUSO 8 X 11/16 PHIL PN		370	AS38246CG	ROLO DE ARRASTO	
190	2305N	VÁLVULA DE BORRACHA		370.1	PP03009GY	ESCOVA PVA	

CODIGO **63176**

DESCRIÇÃO: **LIMPADOR DE FUNDOS PULIT ADVANCE 5 PLUS**

220	AS1065500	PLACA LATERAL	420	AS2722300-SP	TRANSFORMADOR SMART EU 180 W
250	2613	BUCHA MOLIBDÊNIO	430	AS110162506	TUBO ENCOLHÍVEL 20/6 (60MM)
440	AS110011010	TUBO RETRÁTIL 16/4 WCSM	N/S	4613	PASSADOR COM RANHURA
450	5473	CONECTOR DE EXTREMIDADE	N/S	AS110300001	SELANTE ESTANQUEIDADE
550	BS1050302	TAMPA INFERIOR	N/S	PP0013900	PROTETOR CABO
550.1	SW00008	PARAFUSO PT KB40 X 12 S/S 304	N/S	AS1051307	SET FILTRO GROSSO PULIT (AZUL 2 UNIDA
550.2	PP0067300	ANILHA DE SEGURANÇA	N/S	AS1051306	SET FILTRO STANDARD PULIT (AZUL 2 UNII
560	AS1051319	FILTRO DBFPEL	N/S	AS1051310	CONJ. FILTRO TECIDO PULIT (AZUL 2 UNID
560.1	PP00672IV	FILTRO VÁLVULA SUPERIOR	N/S	PP0005108	BOIA OVALADA
570	AS1050510	SUPORTE MECANISMO	N/S	XW0100400	REBITE PLÁSTICO 28 MM
590	PP0070300	RODA			