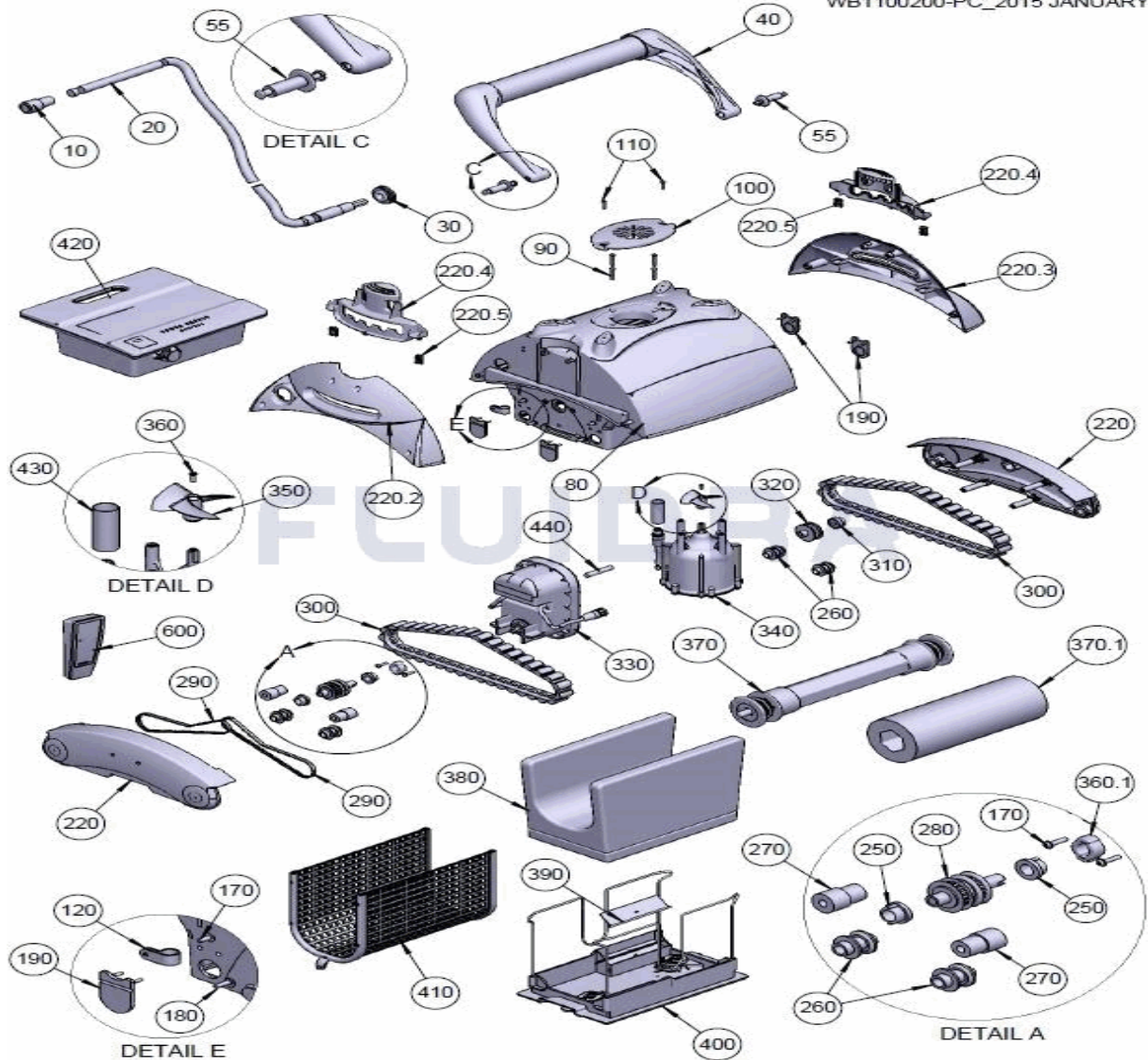


CODIGO **53384**

DESCRIPCION: LIMPIAFONDOS GALEON RC

WB1100200-PC\_2015 JANUARY



**ESPAÑOL**

POS	CODIGO	DESCRIPCION	CANTIDAD	POS	CODIGO	DESCRIPCION	CANTIDAD
10	ASPL00002M	ENCHUFE 4 TERMINALES		220,3	PP00053VR	SOPORTE LATERAL	
20	WA00082CGL	CABLE FLOTADOR CG/18M/4C/EZ-SW/FAS		220,4	PP00054VR	SOPORTE MANGO	
30	PP0001623	JUNTA PASACABLES		220,5	5087	MUELLE	
40	AS1042000	MANGO FLOTADOR		250	2613	RODAMIENTO DE EJES	
55	SK00000BK	PASADOR COMPLETO PARA MANGO		260	3500	RODILLO PEQUEÑO	
80	AS1009800	CUERPO LIMPIAFONDOS		270	3506	TENSOR CORREAS DE TRACCION	
90	2500	TORNILLO PARA MOTOR BOMBA		280	A3605	CONJUNTO POLEA	
100	PP00059GY	TAPA SUPERIOR		290	3302	CORREA DE TRACCION	
110	5061	TORNILLO DE TAPA SUPERIOR		300	3201G	CORREA ORUGA	
120	2105	SUJECION CABLE		310	2610	ARANDELA CENTRAL	
170	2700	TORNILLO SUPERIOR LATERAL		320	3700	RODILLO GRANDE	
180	2701	TORNILLO INFERIOR LATERAL		330	AS08704-SP	MOTOR DE TRACCION	
190	2305N	VALVULA DE GOMA		340	AS00035R-SP	MOTOR DE BOMBEO	

**CODIGO 53384**

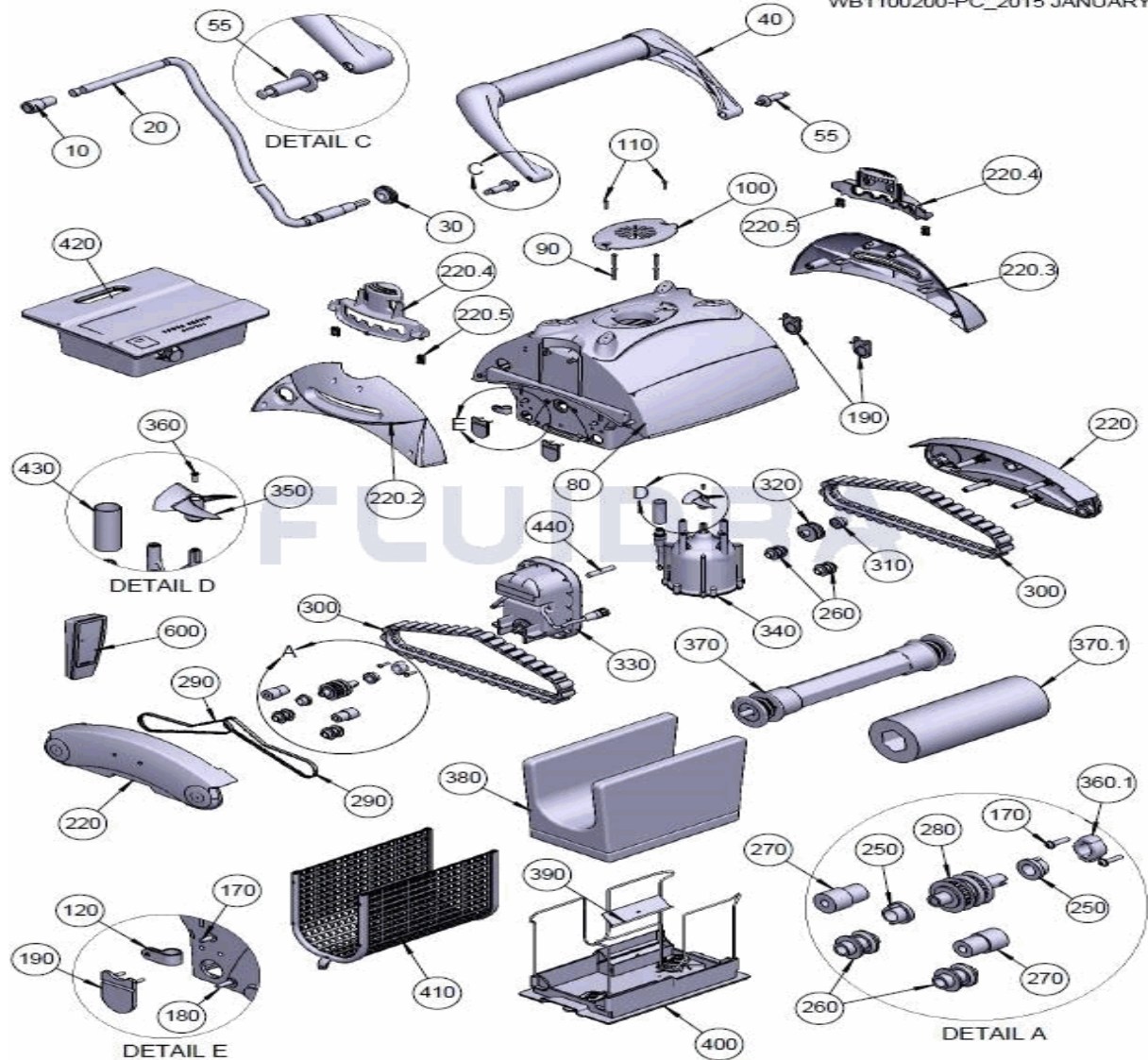
**DESCRIPCION: LIMPIAFONDOS GALEON RC**

220	AS1061500	TAPA LATERAL	350	P00038	HELICE
220,2	PP00080VR	SOPORTE INFERIOR LATERAL	360	SW00069	TORNILLO PARA HELICE
360,1	PP0004500	CUBIERTA DEL PASADOR	430	AS110162506	TUBO RETRACTIL 20/6 (60mm)
370	AS38246CG	RODILLO DE ARRASTRE	440	AS111161408	TUBO RETRACTIL 1614 (80mm)
370,1	PP03009GY	CEPILLO PVA	600	RC0100500	CONTROL REMOTO
380	8150	BOLSA FILTRO	N/S	4613	PASADOR CON RANURA
390	9305B-NT	VALVULA PLASTICA CIERRE FONDO	N/S	PP0013900	PROTECTOR CABLE
400	BS6100200	CONJUNTO TAPA INFERIOR	N/S	PP0005108	FLOTADOR OVALADO
410	AS09242	CONJUNTO REJILLA	N/S	XW0100400	REMACHE PLASTICO 28 MM
420	AS2723200-SP	TRANSFORMADOR 180W			

CODE 53384

DESCRIPTION: NETTOYEUR DE FOND GALEON RC

WB1100200-PC\_2015 JANUARY



FRANCAIS

POS	CODE	DESCRIPTION	QUANTITE	POS	CODE	DESCRIPTION	QUANTITE
10	ASPL00002M	PRISE À 4 FICHES		220,3	PP00053VR	SUPPORT LATÉRAL	
20	WA00082CGL	CÂBLE FLOTTANT CG/18M/4C/EZ-SW/FAST		220,4	PP00054VR	SUPPORT MANCHE	
30	PP0001623	(not defined)		220,5	5087	RESSORT	
40	AS1042000	MANCHE FLOTTEUR		250	2613	BAGUE EN MOLYBDÈNE	
55	SK00000BK	BROCHE COMPLÈTE POUR MANCHE		260	3500	PETIT GALET	
80	AS1009800	ENSEMBLE CORPS		270	3506	MANCHON DE GALET	
90	2500	VIS 8X1,175 PH PN		280	A3605	ENSEMBLE POULIE	
100	PP00059GY	SORTIE SUPÉRIEURE		290	3302	COURROIE DE TRANSMISSION	
110	5061	VIS 6-32X5/8 S/S PH PA		300	3201G	CHENILLE	
120	2105	FIXATION CÂBLE		310	2610	RONDELLE CENTRALE	
170	2700	VIS 8X11/16 PHIL PN		320	3700	GRAND GALET	
180	2701	VIS 8X11/16PHIL PN		330	AS08704-SP	MOTEUR DE TRACTION	
190	2305N	VALVE CAOUTCHOUTÉE		340	AS00035R-SP	MOTEUR DE LA POMPE	

CODE **53384**

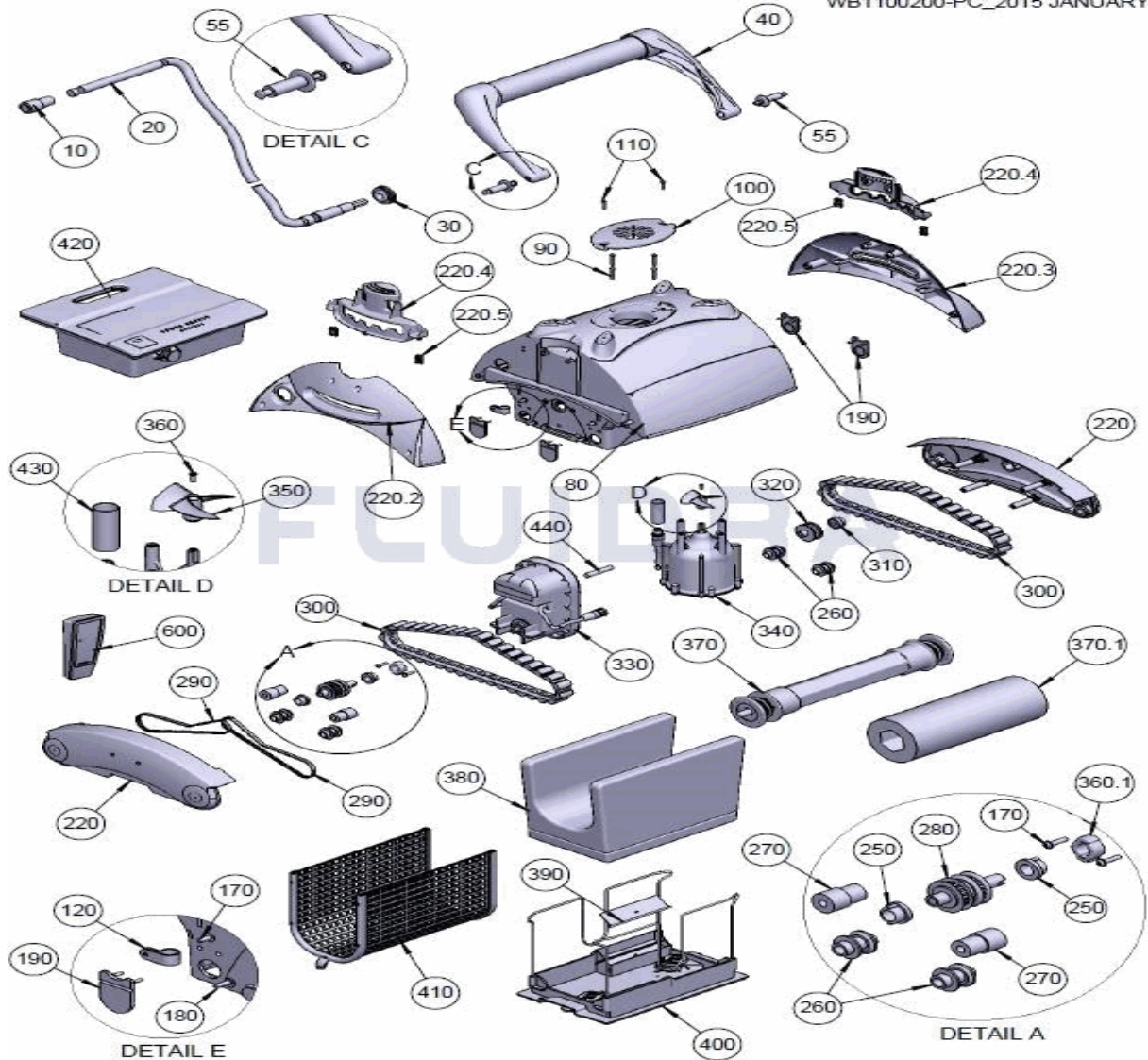
DESCRIPTION: NETTOYEUR DE FOND GALEON RC

220	AS1061500	COUVERCLE LATÉRAL	350	P00038	HÉLICE
220.2	PP00080VR	SUPPORT INFÉRIEUR LATÉRAL	360	SW00069	VIS M-3X10 PHIL DIN-965
360.1	PP0004500	LOGEMENT DE TIGE	430	AS110162506	TUBE RÉTRACTABLE 20/6 (60MM)
370	AS38246CG	ROULEAU D'ENTRAÎNEMENT	440	AS111161408	TUBE RÉTRACTABLE 1614 (80MM)
370.1	PP03009GY	BROSSE PVA	600	RC0100500	TÉLÉCOMMANDE
380	8150	(not defined)	N/S	4613	GOUPILLE À RAINURE
390	9305B-NT	VANNE PLASTIQUE FERMETURE FOND	N/S	PP0013900	PROTECTEUR CÂBLE
400	BS6100200	ENSEMBLE COUVERCLE INFÉRIEUR	N/S	PP0005108	FLOTTEUR OVALE
410	AS09242	ENSEMBLE GRILLE	N/S	XW0100400	RIVET PLASTIQUE 28 MM
420	AS2723200-SP	TRANSFORMATEUR SMART EU 180W			

CODE **53384**

DESCRIPTION: **POOL CLEANER GALEON RC**

WB1100200-PC\_2015 JANUARY



**ENGLISH**

POS	CODE	DESCRIPTION	QUANTITY	POS	CODE	DESCRIPTION	QUANTITY
10	ASPL00002M	4 PIN PLUG		220.3	PP00053VR	FLOATING HANDLE RAIL FOR SWAN	
20	WA00082CGL	FLOAT CABLE CG/18M/4C/EZ-SW/FAST		220.4	PP00054VR	HANDLE BRACKET	
30	PP0001623	SEALING GROMMET		220.5	5087	SPRING	
40	AS1042000	HANDLE ASSY		250	2613	MOLYBDENUM BUSHING	
55	SK00000BK	PIN ASSY FOR HANDLE		260	3500	SMALL ROLLER	
80	AS1009800	BODY ASSY		270	3506	SLEEVE ROLLER	
90	2500	SCREW 8X1,175 PH PN		280	A3605	PULLEY ASSY	
100	PP00059GY	OUTLET TOP		290	3302	DRIVE BELT	
110	5061	SCREW 6-32X5/8 S/S PH PA		300	3201G	DRIVE TRACK	
120	2105	CABLE RETAINER SOPHIA		310	2610	BUSHING FOR LOWER CASING	
170	2700	SCREW 8X11/16 PHIL PN		320	3700	LARGE ROLLER	
180	2701	SCREW 8X11/16PHIL PN		330	AS08704-SP	SP D. MOTOR	
190	2305N	RUBBER VALVE		340	AS00035R-SP	PUMP MOTOR	

CODE **53384**

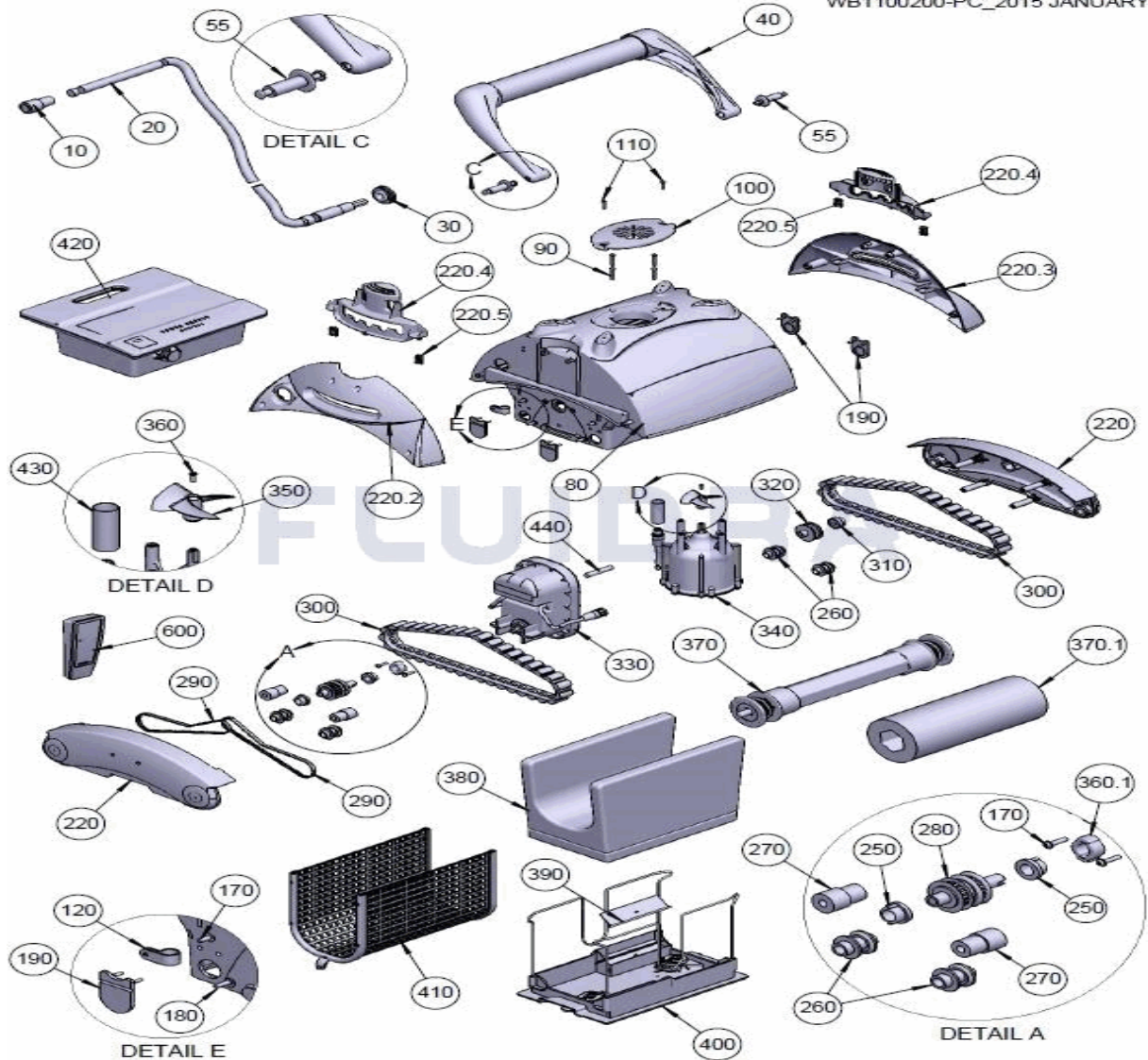
DESCRIPTION: **POOL CLEANER GALEON RC**

220	AS1061500	SIDE PLATE ASSY	350	P00038	PROPELLER
220.2	PP00080VR	BRACKET LOWER CABLE SIDE	360	SW00069	SCRERW M-3X10 PHIL DIN-965
360.1	PP0004500	CASE FOR PIN	430	AS110162506	SHRINK TUBE 20/6 (60MM)
370	AS38246CG	WHEEL TUBE ASSY.	440	AS111161408	SHRINK TUBE 1614 (80MM)
370.1	PP03009GY	PVA BRUSH	600	RC0100500	RC RES IDP INTEG RAD
380	8150	(not defined)	N/S	4613	GROOVE PIN 1/8X5/8 S/S
390	9305B-NT	BOTTOM LID VALVE	N/S	PP0013900	GROMMET
400	BS6100200	BOTTOM LID ASSY	N/S	PP0005108	FLOAT OVAL
410	AS09242	GRILLE SET FOR	N/S	XW0100400	SNAP RIVET NYLON 28 MM
420	AS2723200-SP	SPS SMART EU 180W			

CODICE **53384**

DESCRIZIONE: **PULISCIFONDI GALEON RC**

WB1100200-PC\_2015 JANUARY



**ITALIANO**

POS	CODICE	DESCRIZIONE	QUANTITA'	POS	CODICE	DESCRIZIONE	QUANTITA'
10	ASPL00002M	PRESA A QUATTRO SPINE		220,3	PP00053VR	SUPPORTO LATERALE	
20	WA00082CGL	CAVO GALLEGGIANTE CG/18M/4C/EZ-SW/I		220,4	PP00054VR	SUPPORTO MANICO	
30	PP0001623	(not defined)		220,5	5087	MOLLA	
40	AS1042000	MANICO GALLEGGIANTE		250	2613	BOCCOLA IN MOLYBDENUM	
55	SK00000BK	PASSANTE COMPLETO PER MANICO		260	3500	CILINDRO PICCOLO	
80	AS1009800	BLOCCO CORPO		270	3506	GUAINA CILINDRO	
90	2500	VITE 8X1,175 PH PN		280	A3605	BLOCCO PULEGGIA	
100	PP00059GY	SORTIE SUPÉRIEURE		290	3302	CINGHIA DI TRASMISSIONE	
110	5061	VITE 6-32X5/8 S/S PH PA		300	3201G	CINGOLI DI TRASMISSIONE	
120	2105	ATTACCO CAVO		310	2610	RONDELLA CENTRALE	
170	2700	VITE 8X11/16 PHIL PN		320	3700	CILINDRO GRANDE	
180	2701	VITE 8X11/16 PHIL PN		330	AS08704-SP	MOTORE DI TRAZIONE	
190	2305N	VALVOLA DI GOMMA		340	AS00035R-SP	INIETTORE A POMPA	

CODICE **53384**

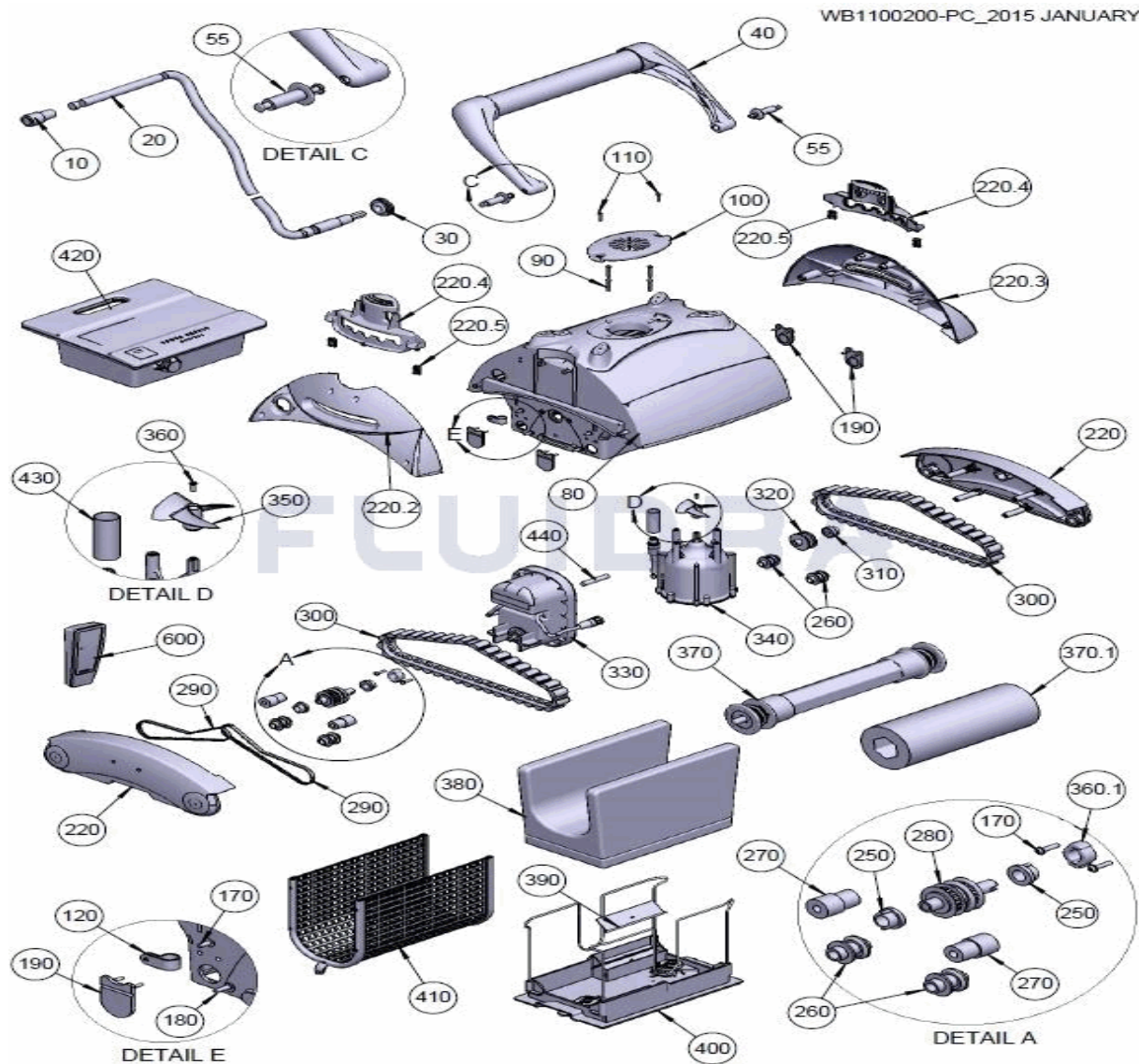
DESCRIZIONE: **PULISCIFONDI GALEON RC**

220	AS1061500	COPERTURA LATERALE	350	P00038	ELICA
220,2	PP00080VR	SUPPORTO INFERIORE LATERALE	360	SW00069	VITE M-3X10 PHIL DIN-965
360,1	PP0004500	PERNO	430	AS110162506	TUBO RETRACTIL 20/6 (60MM)
370	AS38246CG	RULLO DI TRAINO	440	AS111161408	TUBO RETRACTIL 1614 (80MM)
370,1	PP03009GY	SPAZZOLA PVA	600	RC0100500	CONTROLLO REMOTO
380	8150	(not defined)	N/S	4613	COPPIGLIA CON SCANALATURA
390	9305B-NT	VALVOLA PLASTICA CHIUSURA FONDO	N/S	PP0013900	PROTETTORE CAVO
400	BS6100200	BLOCCO COPERCHIO INFERIORE	N/S	PP0005108	GALLEGGIANTE OVALE
410	AS09242	INSIEME GRIGLIA	N/S	XW0100400	RIVETTO PLASTICA 28 MM
420	AS2723200-SP	TRASFORMATORE SMART EU 180W			



CODE **53384**

BESCHREIBUNG: **BODENREINIGER GALEON RC**



**DEUTSCH**

POS	CODE	BESCHREIBUNG	MENGE	POS	CODE	BESCHREIBUNG	MENGE
10	ASPL00002M	STECKDOSE 4 ANSCHLÜSSE		220,3	PP00053VR	SEITENHALTERUNG	
20	WA00082CGL	SCHWIMMERKABEL CG/18M/4C/EZ-SW/FA'		220,4	PP00054VR	GRIFFHALTERUNG	
30	PP0001623	(not defined)		220,5	5087	FEDER	
40	AS1042000	GRIFF SCHWIMMER		250	2613	WÄLZLAGER ACHSEN	
55	SK00000BK	BÜGEL KOMPLETT FÜR GRIFF		260	3500	ROLLE KLEIN	
80	AS1009800	GEHÄUSE BODENREINIGER		270	3506	SPANNER ZUGRIEMEN	
90	2500	SCHRAUBE FÜR PUMPENMOTOR		280	A3605	SET ANTRIEBSSCHEIBE	
100	PP00059GY	ABDECKUNG OBEN		290	3302	ZUGRIEMEN	
110	5061	SCHRAUBE ABDECKUNG OBEN		300	3201G	KETTENLEINE	
120	2105	BEFESTIGUNG KABEL		310	2610	UNTERLEGSCHEIBE MITTIG	
170	2700	SCHRAUBE OBEN SEITLICH		320	3700	ROLLE GROSS	
180	2701	SCHRAUBE UNTEN SEITLICH		330	AS08704-SP	ZUGMOTOR	
190	2305N	GUMMIVENTIL		340	AS00035R-SP	PUMP MOTOR	

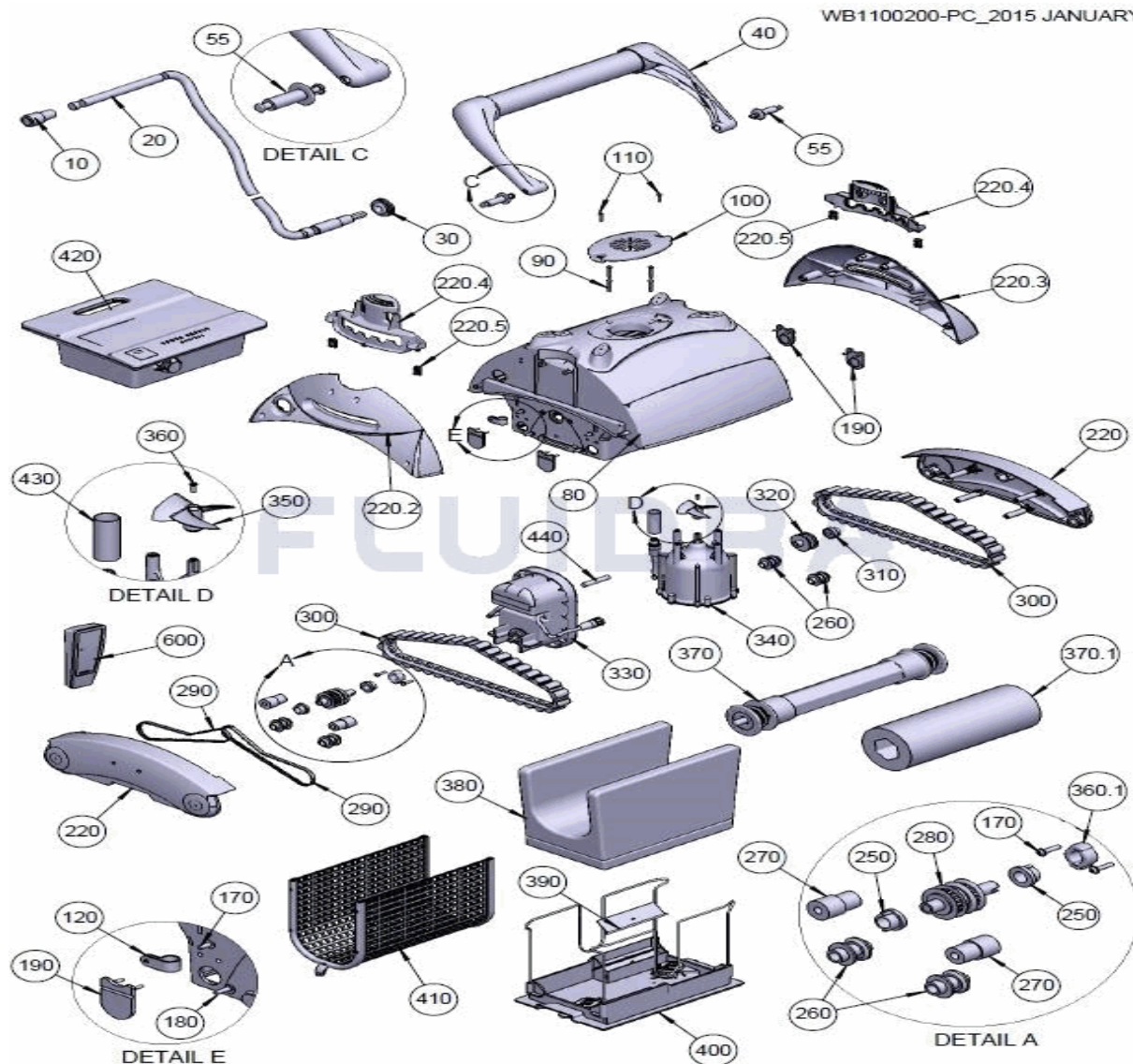
CODE **53384**

BESCHREIBUNG: **BODENREINIGER GALEON RC**

220	AS1061500	SEITENABDECKUNG	350	P00038	ANTRIEBSSCHRAUBE
220,2	PP00080VR	HALTERUNG UNTEN SEITLICH	360	SW00069	SCHRAUBE FÜR ANTRIEBSSCHRAUBE
360,1	PP0004500	ABDECKUNG STIFT	430	AS110162506	EINLAUFROHR 20/6 (60MM)
370	AS38246CG	SCHLEPPROLLE	440	AS111161408	EINLAUFROHR 1614 (80MM)
370,1	PP03009GY	BÜRSTE PVA	600	RC0100500	FERNBEDIENUNG
380	8150	(not defined)	N/S	4613	STIFT MIT SCHLITZ
390	9305B-NT	VENTIL KUNSTSTOFF SCHLIESSVORRICHT	N/S	PP0013900	KABELSCHUTZ
400	BS6100200	SET ABDECKUNG UNTEN	N/S	PP0005108	SCHWIMMER OVAL
410	AS09242	SET GITTER	N/S	XW0100400	NIETE KUNSTSTOFF 28 MM
420	AS2723200-SP	TRAFO 180 W			

CODIGO 53384

DESCRIÇÃO: LIMPADOR DE FUNDOS GALEON RC



**PORTUGUES**

POS	CODIGO	DESCRIÇÃO	JANTIDADE	POS	CODIGO	DESCRIÇÃO	JANTIDADE
10	ASPL00002M	FICHA DE 4 PINOS		220,3	PP00053VR	SUPORE LATERAL	
20	WA00082CGL	CONJUNTO CABO BOIA CG/18M/4C/EZ-SW		220,4	PP00054VR	SUPORE TUBO	
30	PP0001623	(not defined)		220,5	5087	MOLA	
40	AS1042000	PEGA BOIA		250	2613	BUCHA MOLIBDÊNIO	
55	SK00000BK	PASSADOR COMPLETO PARA PEGA		260	3500	ROLETE PEQUENO	
80	AS1009800	CONJUNTO CORPO		270	3506	ROLETE DE BORRACHA	
90	2500	PARAFUSO 8 X 1,175 PH PN		280	A3605	CONJUNTO ROLDANA	
100	PP00059GY	SORTIE SUPÉRIEURE		290	3302	CORREIA DE TRANSMISSÃO	
110	5061	PARAFUSO 6-32 X 5/8 S/S PH PA		300	3201G	LAGARTA DE TRACÇÃO	
120	2105	FIXAÇÃO CABO		310	2610	ANILHA CENTRAL	
170	2700	PARAFUSO 8 X 11/16 PHIL PN		320	3700	ROLETE GRANDE	
180	2701	PARAFUSO 8 X 11/16 PHIL PN		330	AS08704-SP	MOTOR DE TRACÇÃO	
190	2305N	VÁLVULA DE BORRACHA		340	AS00035R-SP	BOMBA MOTOR	

**CODIGO 53384**

**DESCRIÇÃO: LIMPADOR DE FUNDOS GALEON RC**

220	AS1061500	TAMPA LATERAL	350	P00038	HÉLICE
220.2	PP00080VR	SUPORTE INFERIOR LATERAL	360	SW00069	PARAFUSO M-3 X 10 PHIL DIN-965
360.1	PP0004500	ENCAIXE PARA PINO	430	AS110162506	TUBO ENCOLHÍVEL 20/6 (60MM)
370	AS38246CG	ROLO DE ARRASTO	440	AS111161408	TUBO ENCOLHÍVEL 1614 (80MM)
370.1	PP03009GY	ESCOVA PVA	600	RC0100500	CONTROLO REMOTO
380	8150	(not defined)	N/S	4613	PASSADOR COM RANHURA
390	9305B-NT	VÁLVULA PLÁSTICA FECHO FUNDO	N/S	PP0013900	PROTETOR CABO
400	BS6100200	CONJUNTO TAMPA INFERIOR	N/S	PP0005108	BOIA OVALADA
410	AS09242	CJTO. GRELHA FILTRO	N/S	XW0100400	REBITE PLÁSTICO 28 MM
420	AS2723200-SP	TRANSFORMADOR SMART EU 180 W			