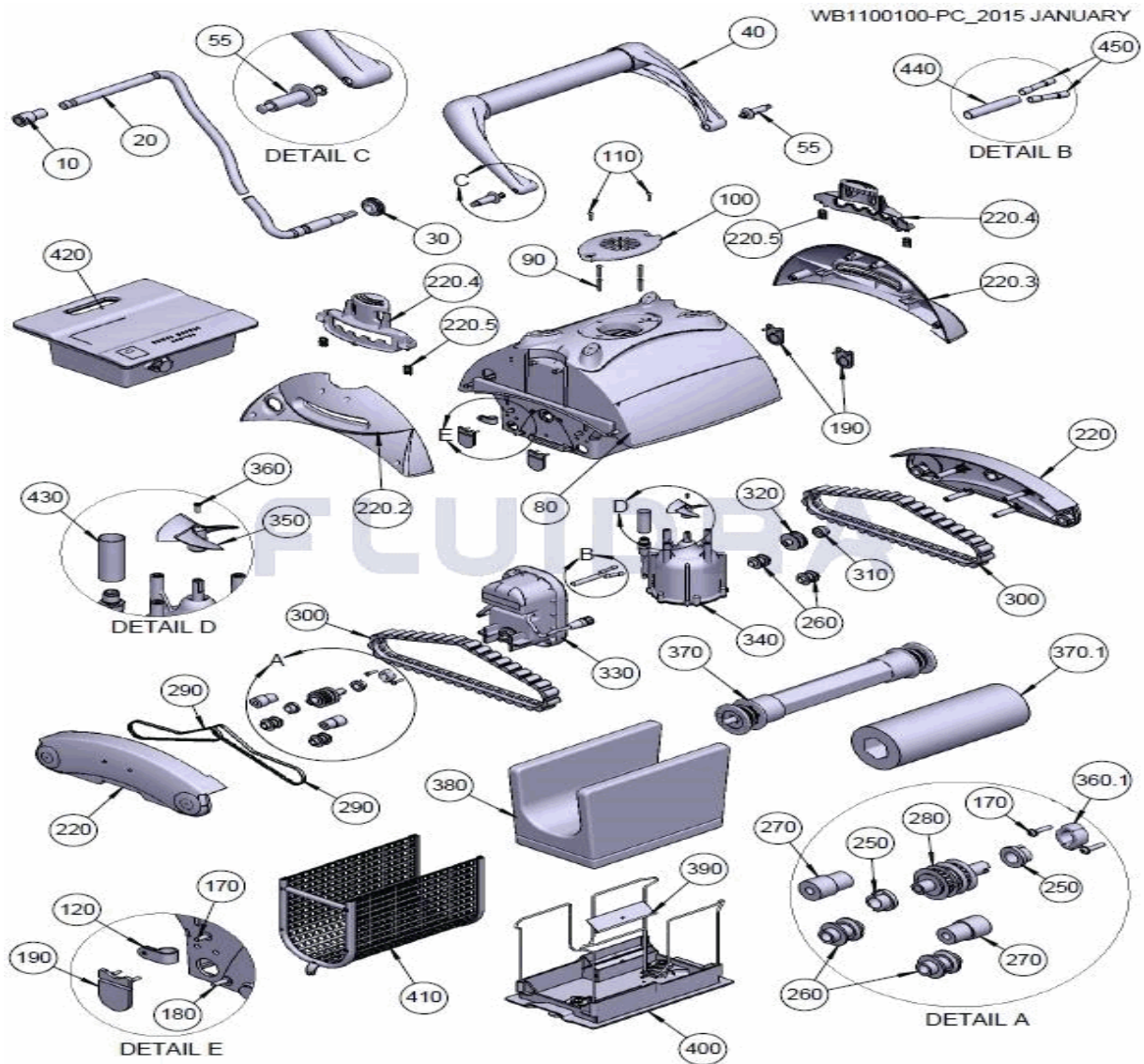


CODIGO 63173

DESCRIPCION: LIMPIAFONDOS GALEON MD



ESPAÑOL

POS	CODIGO	DESCRIPCION	CANTIDAD	POS	CODIGO	DESCRIPCION	CANTIDAD
10	ASPL00002M	ENCHUFE 4 TERMINALES		220,3	PP00053VR	SOPORTE LATERAL	
20	WA00022CGL	CABLE FLOTADOR CG/18M/2C/EZ-SW		220,4	PP00054VR	SOPORTE MANGO	
30	PP0001623	JUNTA PASACABLES		220,5	5087	MUELLE	
40	AS1042000	MANGO FLOTADOR		250	2613	RODAMIENTO DE EJES	
55	SK00000BK	PASADOR COMPLETO PARA MANGO		260	3500	RODILLO PEQUEÑO	
80	AS1009800	CUERPO LIMPIAFONDOS		270	3506	TENSOR CORREAS DE TRACCION	
90	2500	TORNILLO PARA MOTOR BOMBA		280	A3605	CONJUNTO POLEA	
100	PP00059GY	TAPA SUPERIOR		290	3302	CORREA DE TRACCION	
110	5061	TORNILLO DE TAPA SUPERIOR		300	3201G	CORREA ORUGA	
120	HW0006700	SUJECION CABLE		310	2610	ARANDELA CENTRAL	
170	2700	TORNILLO SUPERIOR LATERAL		320	3700	RODILLO GRANDE	
180	2701	TORNILLO INFERIOR LATERAL		330	AS08703-SP	MOTOR DE TRACCION	
190	2305N	VALVULA DE GOMA		340	AS00035R-SP	MOTOR DE BOMBEO	

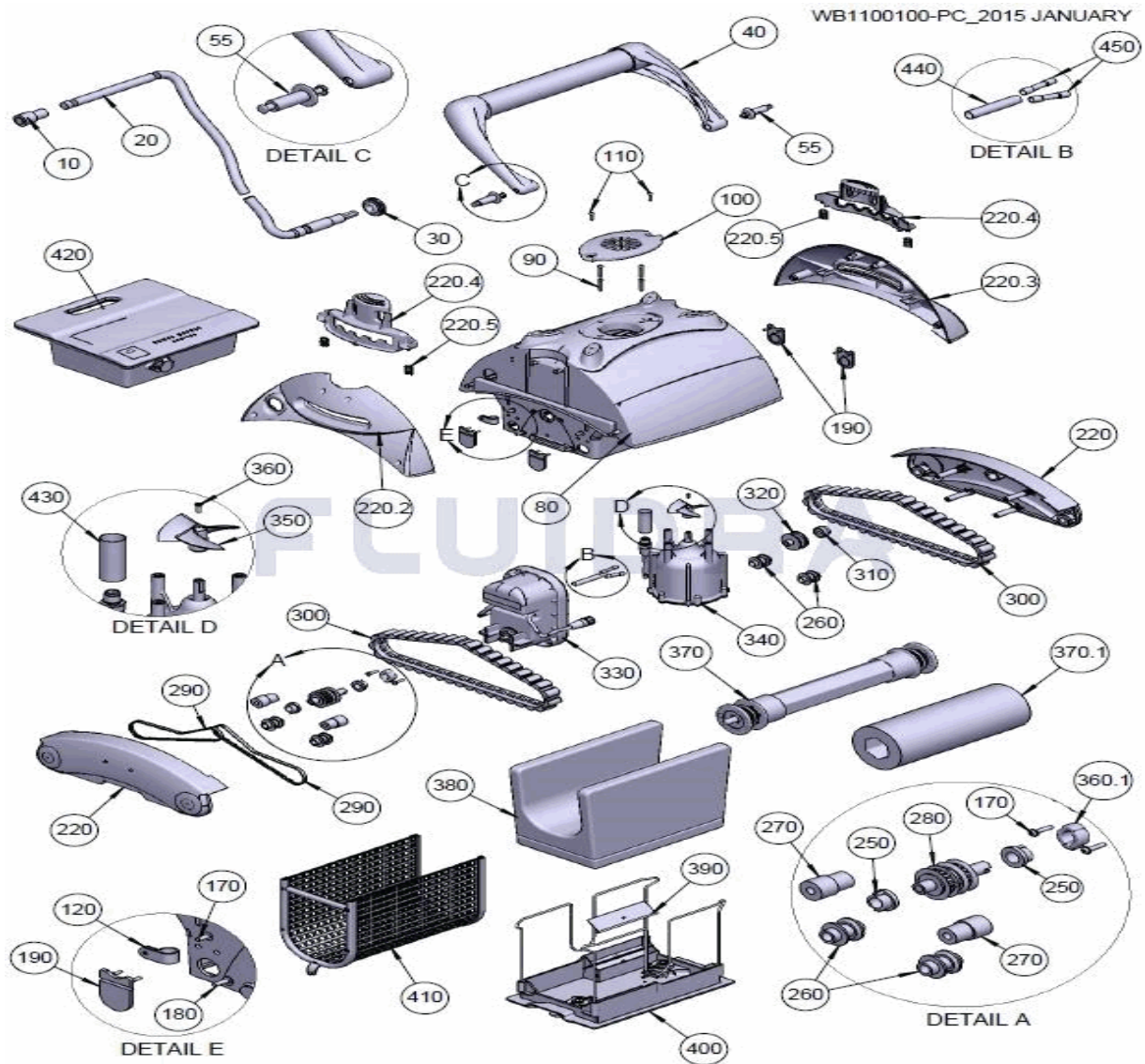
**CODIGO 63173**

**DESCRIPCION: LIMPIAFONDOS GALEON MD**

220	AS1061500	TAPA LATERAL	350	P00038	HELICE
220,2	PP00080VR	SOPORTE INFERIOR LATERAL	360	SW00069	TORNILLO PARA HELICE
360,1	PP0004500	CUBIERTA DEL PASADOR	430	AS110162506	TUBO RETRACTIL 20/6 (60mm)
370	AS38246CG	RODILLO DE ARRASTRE	440	AS110011010	TUBO RETRACTIL 16/4 WCSM
370,1	PP03009GY	CEPILLO PVA	450	5473	CONECTOR RETRÁCTIL ROJO
380	8150	BOLSA FILTRO	N/S	4613	PASADOR CON RANURA
390	9305B-NT	VALVULA PLASTICA CIERRE FONDO	N/S	AS110300001	SELLANTE BUTIL MASTIC
400	BS6100200	CONJUNTO TAPA INFERIOR	N/S	PP0013900	PROTECTOR CABLE
410	AS09242	CONJUNTO REJILLA	N/S	S7930BK	DESENROLLADOR CABLE
420	AS2722402-SP	TRANSFORMADOR BASICO 180W GRIS	N/S	AS8007010-SP	CJTO. FLOTACION

CODE 63173

DESCRIPTION: NETTOYEUR DE FOND GALEON MD



FRANCAIS

POS	CODE	DESCRIPTION	QUANTITE	POS	CODE	DESCRIPTION	QUANTITE
10	ASPL00002M	PRISE À 4 FICHES		220,3	PP00053VR	SUPPORT LATÉRAL	
20	WA00022CGL	CÂBLE FLOTTANT CG/18M/2C/EZ-SW		220,4	PP00054VR	SUPPORT MANCHE	
30	PP0001623	NOT DEFINED		220,5	5087	RESSORT	
40	AS1042000	MANCHE FLOTTEUR		250	2613	BAGUE EN MOLYBDÈNE	
55	SK00000BK	BROCHE COMPLÈTE POUR MANCHE		260	3500	PETIT GALET	
80	AS1009800	ENSEMBLE CORPS		270	3506	MANCHON DE GALET	
90	2500	VIS 8X1,175 PH PN		280	A3605	ENSEMBLE POULIE	
100	PP00059GY	SORTIE SUPÉRIEURE		290	3302	COURROIE DE TRANSMISSION	
110	5061	VIS 6-32X5/8 S/S PH PA		300	3201G	CHENILLE	
120	HW0006700	FIXATION CÂBLE		310	2610	RONDELLE CENTRALE	
170	2700	VIS 8X11/16 PHIL PN		320	3700	GRAND GALET	
180	2701	VIS 8X11/16PHIL PN		330	AS08703-SP	MOTEUR DE TRACTION	
190	2305N	VALVE CAOUTCHOUTÉE		340	AS00035R-SP	MOTEUR DE LA POMPE	

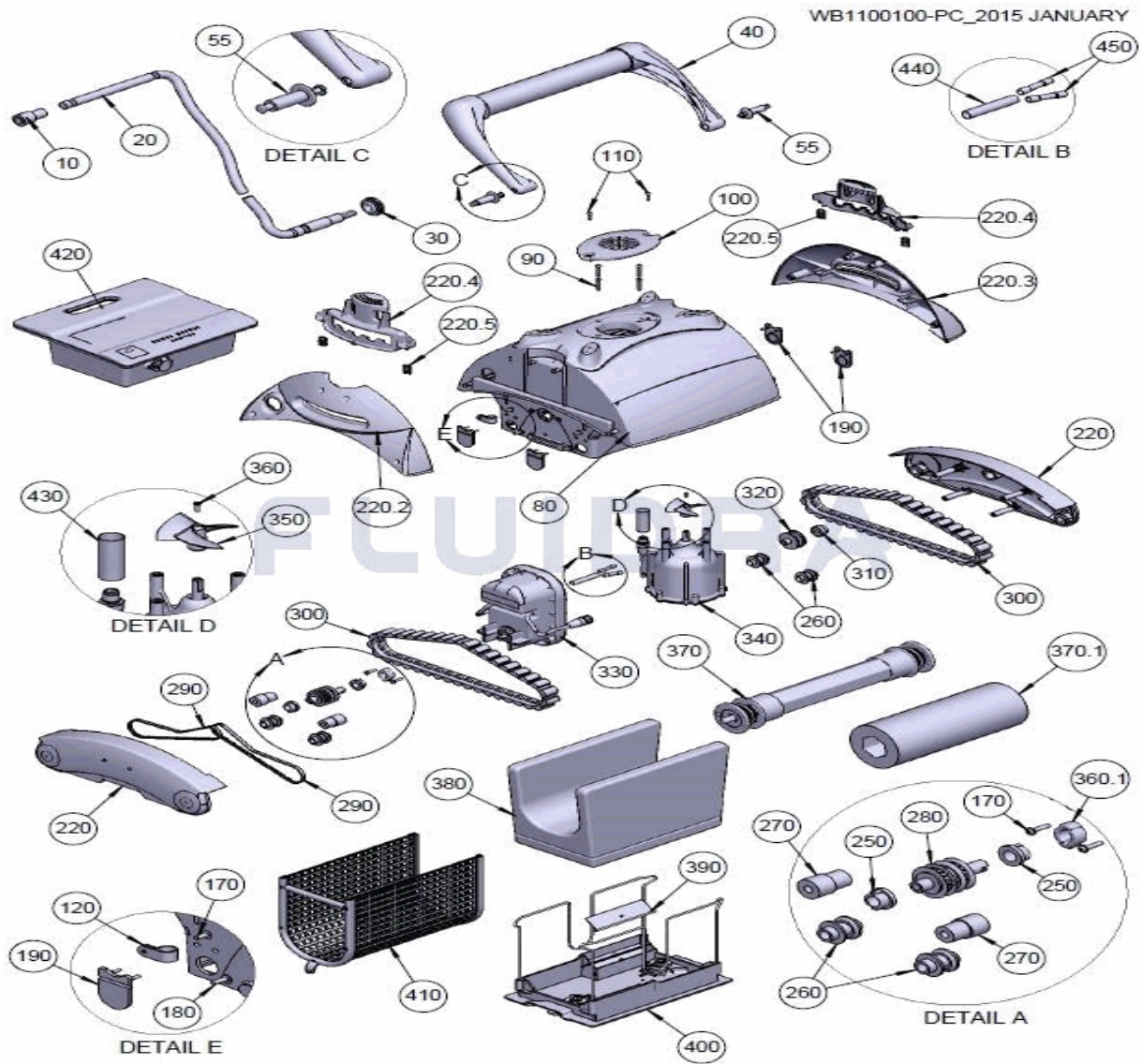
CODE **63173**

DESCRIPTION: **NETTOYEUR DE FOND GALEON MD**

220	AS1061500	COUVERCLE LATÉRAL	350	P00038	HÉLICE
220.2	PP00080VR	SUPPORT INFÉRIEUR LATÉRAL	360	SW00069	VIS M-3X10 PHIL DIN-965
360.1	PP0004500	LOGEMENT DE TIGE	430	AS110162506	TUBE RÉTRACTABLE 20/6 (60MM)
370	AS38246CG	ROULEAU D'ENTRAÎNEMENT	440	AS110011010	TUYAU RÉTRACTILE 16/4 WCSM
370.1	PP03009GY	BROSSE PVA	450	5473	CONNECTEUR BOUT À BOUT
380	8150	NOT DEFINED	N/S	4613	GOUPILLE À RAINURE
390	9305B-NT	VANNE PLASTIQUE FERMETURE FOND	N/S	AS110300001	MASTIC ÉTANCHÉITÉ
400	BS6100200	ENSEMBLE COUVERCLE INFÉRIEUR	N/S	PP0013900	PROTECTEUR CÂBLE
410	AS09242	ENSEMBLE GRILLE	N/S	S7930BK	DÉROULEUR CÂBLE
420	AS2722402-SP	TRANSFORMATEUR BASIQUE 180W GRIS	N/S	AS8007010-SP	ENS. FLOTTAISON

CODE 63173

DESCRIPTION: POOL CLEANER GALEON MD



**ENGLISH**

POS	CODE	DESCRIPTION	QUANTITY	POS	CODE	DESCRIPTION	QUANTITY
10	ASPL00002M	4 PIN PLUG		220,3	PP00053VR	FLOATING HANDLE RAIL FOR SWAN	
20	WA00022CGL	FLOAT CABLE CG/18M/2C/EZ-SW		220,4	PP00054VR	HANDLE BRACKET	
30	PP0001623	SEALING GROMMET		220,5	5087	SPRING	
40	AS1042000	HANDLE ASSY		250	2613	MOLYBDENUM BUSHING	
55	SK00000BK	PIN ASSY FOR HANDLE		260	3500	SMALL ROLLER	
80	AS1009800	BODY ASSY		270	3506	SLEEVE ROLLER	
90	2500	SCREW 8X1,175 PH PN		280	A3605	PULLEY ASSY	
100	PP00059GY	OUTLET TOP		290	3302	DRIVE BELT	
110	5061	SCREW 6-32X5/8 S/S PH PA		300	3201G	DRIVE TRACK	
120	HW0006700	CABLE RETAINER SOPHIA		310	2610	BUSHING FOR LOWER CASING	
170	2700	SCREW 8X11/16 PHIL PN		320	3700	LARGE ROLLER	
180	2701	SCREW 8X11/16PHIL PN		330	AS08703-SP	SP D.MOTOR M2BR1C320	
190	2305N	RUBBER VALVE		340	AS00035R-SP	PUMP MOTOR	

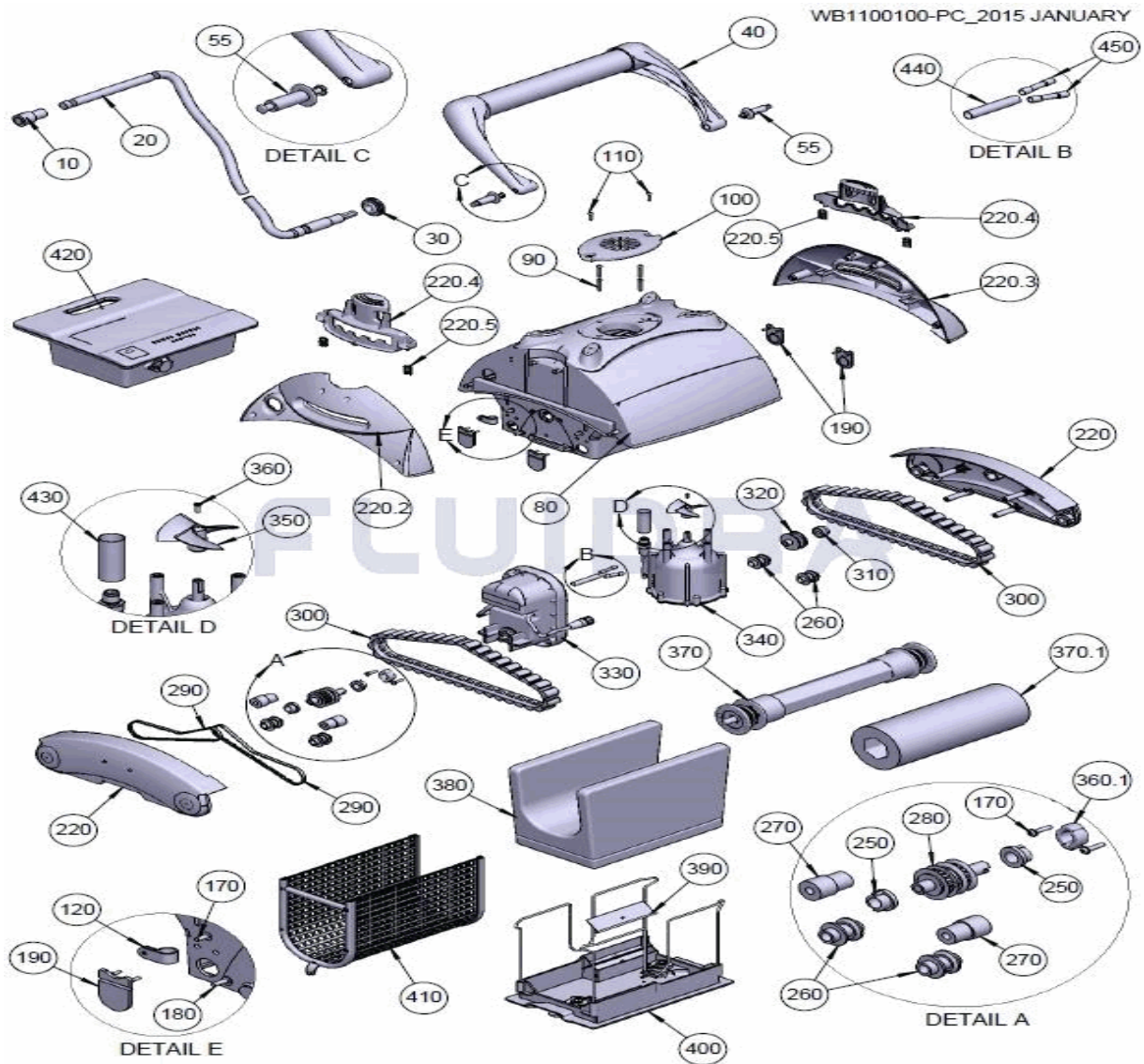
CODE                    **63173**

DESCRIPTION: **POOL CLEANER GALEON MD**

220	AS1061500	SIDE PLATE ASSY	350	P00038	PROPELLER
220.2	PP00080VR	BRACKET LOWER CABLE SIDE	360	SW00069	SCRERW M-3X10 PHIL DIN-965
360.1	PP0004500	CASE FOR PIN	430	AS110162506	SHRINK TUBE 20/6 (60MM)
370	AS38246CG	WHEEL TUBE ASSY.	440	AS110011010	SHRINK TUBE 16/4 WCSM
370.1	PP03009GY	PVA BRUSH	450	5473	BUTT CONNECTOR
380	8150	NOT DEFINED	N/S	4613	GROOVE PIN 1/8X5/8 S/S
390	9305B-NT	BOTTOM LID VALVE	N/S	AS110300001	SEALANT MASTIC
400	BS6100200	BOTTOM LID ASSY	N/S	PP0013900	GROMMET
410	AS09242	GRILLE SET FOR	N/S	S7930BK	SWIVEL
420	AS2722402-SP	SPS BASIC 180W GREY	N/S	AS8007010-SP	KIT FOR FLOATIAN CELL

CODICE 63173

DESCRIZIONE: PULISCIFONDI GALEON MD



ITALIANO

POS	CODICE	DESCRIZIONE	QUANTITA'	POS	CODICE	DESCRIZIONE	QUANTITA'
10	ASPL00002M	PRESA A QUATTRO SPINE		220,3	PP00053VR	SUPPORTO LATERALE	
20	WA00022CGL	CAVO GALLEGGIANTE CG/18M/2C/EZ-SW		220,4	PP00054VR	SUPPORTO MANICO	
30	PP0001623	NOT DEFINED		220,5	5087	MOLLA	
40	AS1042000	MANICO GALLEGGIANTE		250	2613	BOCCOLA IN MOLYBDENUM	
55	SK00000BK	PASSANTE COMPLETO PER MANICO		260	3500	CILINDRO PICCOLO	
80	AS1009800	BLOCCO CORPO		270	3506	GUAINA CILINDRO	
90	2500	VITE 8X1,175 PH PN		280	A3605	BLOCCO PULEGGIA	
100	PP00059GY	SORTIE SUPÉRIEURE		290	3302	CINGHIA DI TRASMISSIONE	
110	5061	VITE 6-32X5/8 S/S PH PA		300	3201G	CINGOLI DI TRASMISSIONE	
120	HW0006700	ATTACCO CAVO		310	2610	RONDELLA CENTRALE	
170	2700	VITE 8X11/16 PHIL PN		320	3700	CILINDRO GRANDE	
180	2701	VITE 8X11/16 PHIL PN		330	AS08703-SP	MOTORE DI TRAZIONE	
190	2305N	VALVOLA DI GOMMA		340	AS00035R-SP	INIETTORE A POMPA	

CODICE **63173**

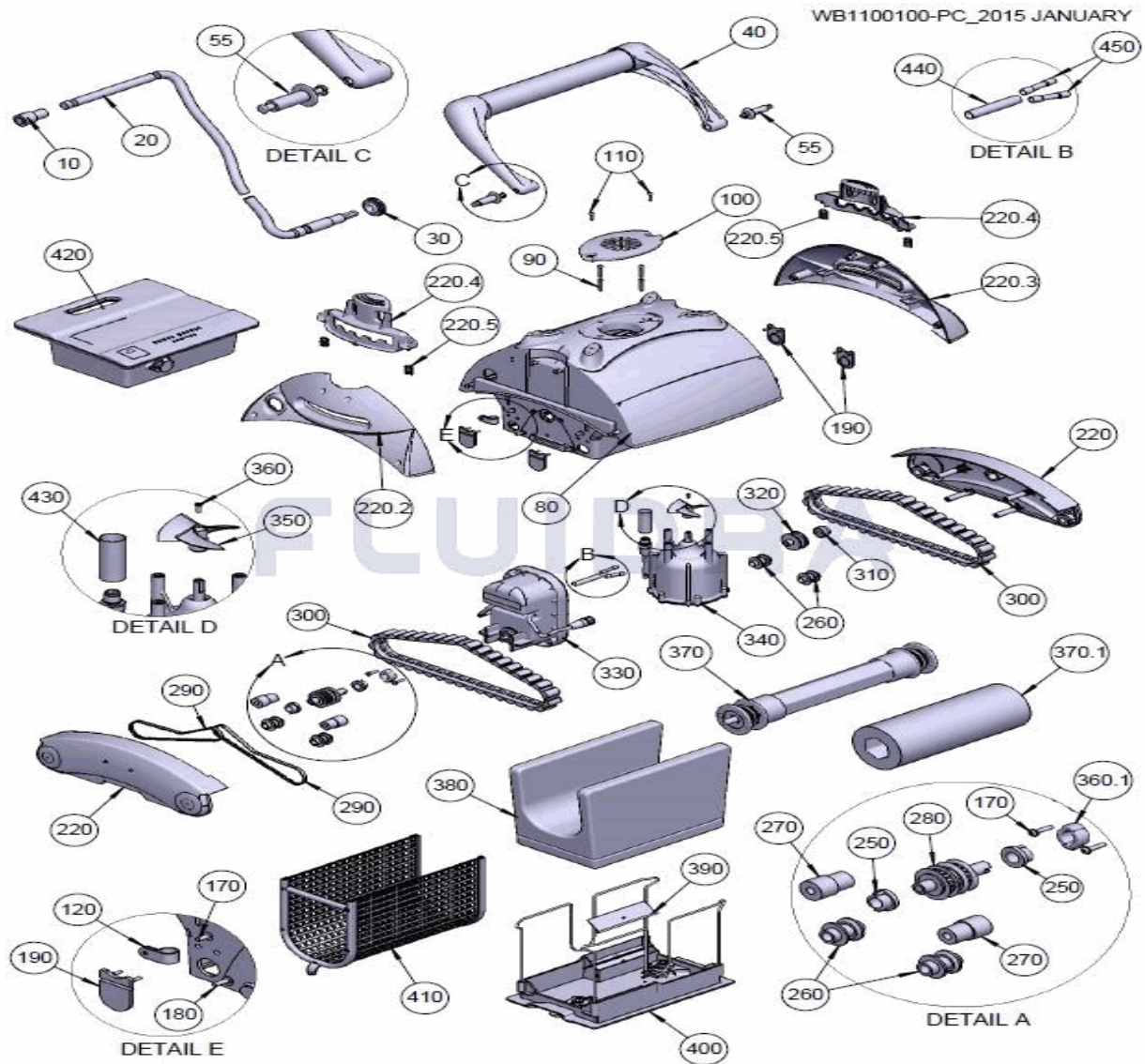
DESCRIZIONE: **PULISCIFONDI GALEON MD**

220	AS1061500	COPERTURA LATERALE	350	P00038	ELICA
220,2	PP00080VR	SUPPORTO INFERIORE LATERALE	360	SW00069	VITE M-3X10 PHIL DIN-965
360,1	PP0004500	PERNO	430	AS110162506	TUBO RETRACTIL 20/6 (60MM)
370	AS38246CG	RULLO DI TRAINO	440	AS110011010	TUBO RETRACTIL 16/4 WCSM
370,1	PP03009GY	SPAZZOLA PVA	450	5473	CONNETTORI ISOLATI DI ESTREMITÀ
380	8150	NOT DEFINED	N/S	4613	COPPIGLIA CON SCANALATURA
390	9305B-NT	VALVOLA PLASTICA CHIUSURA FONDO	N/S	AS110300001	STUCCO TENUTA STAGNA
400	BS6100200	BLOCCO COPERCHIO INFERIORE	N/S	PP0013900	PROTETTORE CAVO
410	AS09242	INSIEME GRIGLIA	N/S	S7930BK	SROTOLATORE CAVO
420	AS2722402-SP	TRASFORMATORE BASICO 180 W. GRIGIO	N/S	AS8007010-SP	KIT GALLEGGIANTE



CODE 63173

BESCHREIBUNG: BODENREINIGER GALEON MD



DEUTSCH

POS	CODE	BESCHREIBUNG	MENGE	POS	CODE	BESCHREIBUNG	MENGE
10	ASPL00002M	STECKDOSE 4 ANSCHLÜSSE		220,3	PP00053VR	SEITENHALTERUNG	
20	WA00022CGL	SCHWIMMERKABEL CG/18M/2C/EZ-SW		220,4	PP00054VR	GRIFFHALTERUNG	
30	PP0001623	NOT DEFINED		220,5	5087	FEDER	
40	AS1042000	GRIFF SCHWIMMER		250	2613	WÄLZLAGER AXHSEN	
55	SK00000BK	BÜGEL KOMPLETT FÜR GRIFF		260	3500	ROLLE KLEIN	
80	AS1009800	GEHÄUSE BODENREINIGER		270	3506	SPANNER ZUGRIEMEN	
90	2500	SCHRAUBE FÜR PUMPENMOTOR		280	A3605	SET ANTRIEBSSCHEIBE	
100	PP00059GY	ABDECKUNG OBEN		290	3302	ZUGRIEMEN	
110	5061	SCHRAUBE ABDECKUNG OBEN		300	3201G	KETTENLEINE	
120	HW0006700	BEFESTIGUNG KABEL		310	2610	UNTERLEGSCHEIBE MITTIG	
170	2700	SCHRAUBE OBEN SEITLICH		320	3700	ROLLE GROSS	
180	2701	SCHRAUBE UNTEN SEITLICH		330	AS08703-SP	ZUGMOTOR	
190	2305N	GUMMIVENTIL		340	AS00035R-SP	PUMP MOTOR	

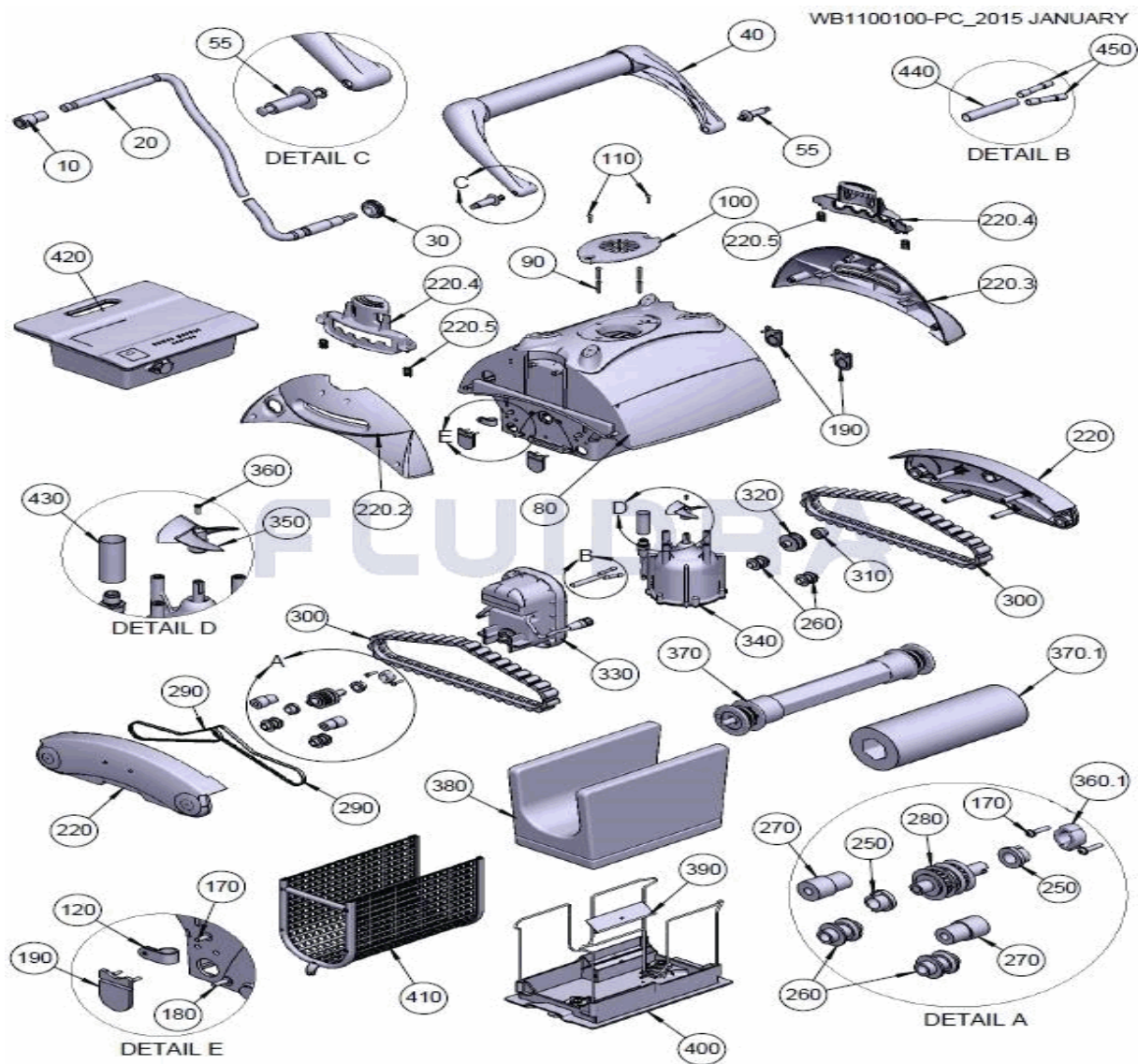
CODE                    **63173**

BESCHREIBUNG: **BODENREINIGER GALEON MD**

220	AS1061500	SEITENABDECKUNG	350	P00038	ANTRIEBSSCHRAUBE
220.2	PP00080VR	HALTERUNG UNTEN SEITLICH	360	SW00069	SCHRAUBE FÜR ANTRIEBSSCHRAUBE
360.1	PP0004500	ABDECKUNG STIFT	430	AS110162506	EINLAUFROHR 20/6 (60MM)
370	AS38246CG	SCHLEPPROLLE	440	AS110011010	ROHR 16/4 WCSM
370.1	PP03009GY	BÜRSTE PVA	450	5473	VERBINDUNGSTÜCK ROT
380	8150	NOT DEFINED	N/S	4613	STIFT MIT SCHLITZ
390	9305B-NT	VENTIL KUNSTSTOFF SCHLISSVORRICH	N/S	AS110300001	DICHTMASSE
400	BS6100200	SET ABDECKUNG UNTEN	N/S	PP0013900	KABELSCHUTZ
410	AS09242	SET GITTER	N/S	S7930BK	KABELROLLER
420	AS2722402-SP	TRAFO BASIC 180 W GRAU	N/S	AS8007010-SP	SCHWIMMERSET

CODIGO 63173

DESCRIÇÃO: LIMPADOR DE FUNDOS GALEON MD



PORTUGUES

POS	CODIGO	DESCRIÇÃO	JANTIDADE	POS	CODIGO	DESCRIÇÃO	JANTIDADE
10	ASPL00002M	FICHA DE 4 PINOS		220,3	PP00053VR	SUPORE LATERAL	
20	WA00022CGL	CONJUNTO CABO DA BOIA CG/18M/2C/EZ-		220,4	PP00054VR	SUPORE TUBO	
30	PP0001623	NOT DEFINED		220,5	5087	MOLA	
40	AS1042000	PEGA BOIA		250	2613	BUCHA MOLIBDÊNIO	
55	SK00000BK	PASSADOR COMPLETO PARA PEGA		260	3500	ROLETE PEQUENO	
80	AS1009800	CONJUNTO CORPO		270	3506	ROLETE DE BORRACHA	
90	2500	PARAFUSO 8 X 1,175 PH PN		280	A3605	CONJUNTO ROLDANA	
100	PP00059GY	SORTIE SUPÉRIURE		290	3302	CORREIA DE TRANSMISSÃO	
110	5061	PARAFUSO 6-32 X 5/8 S/S PH PA		300	3201G	LAGARTA DE TRACÇÃO	
120	HW0006700	FIXAÇÃO CABO		310	2610	ANILHA CENTRAL	
170	2700	PARAFUSO 8 X 11/16 PHIL PN		320	3700	ROLETE GRANDE	
180	2701	PARAFUSO 8 X 11/16 PHIL PN		330	AS08703-SP	MOTOR DE TRACÇÃO	
190	2305N	VÁLVULA DE BORRACHA		340	AS00035R-SP	BOMBA MOTOR	

**CODIGO 63173**

**DESCRIÇÃO: LIMPADOR DE FUNDOS GALEON MD**

220	AS1061500	TAMPA LATERAL	350	P00038	HÉLICE
220.2	PP00080VR	SUPORTE INFERIOR LATERAL	360	SW00069	PARAFUSO M-3 X 10 PHIL DIN-965
360.1	PP0004500	ENCAIXE PARA PINO	430	AS110162506	TUBO ENCOLHÍVEL 20/6 (60MM)
370	AS38246CG	ROLO DE ARRASTO	440	AS110011010	TUBO RETRÁTIL 16/4 WCSM
370.1	PP03009GY	ESCOVA PVA	450	5473	CONECTOR DE EXTREMIDADE
380	8150	NOT DEFINED	N/S	4613	PASSADOR COM RANHURA
390	9305B-NT	VÁLVULA PLÁSTICA FECHO FUNDO	N/S	AS110300001	SELANTE ESTANQUEIDADE
400	BS6100200	CONJUNTO TAMPA INFERIOR	N/S	PP0013900	PROTETOR CABO
410	AS09242	CJTO. GRELHA FILTRO	N/S	S7930BK	DESENROLADOR CABO
420	AS2722402-SP	TRANSFORMADOR BÁSICO 180 W. CINZEI	N/S	AS8007010-SP	CJTO. FLUTUAÇÃO