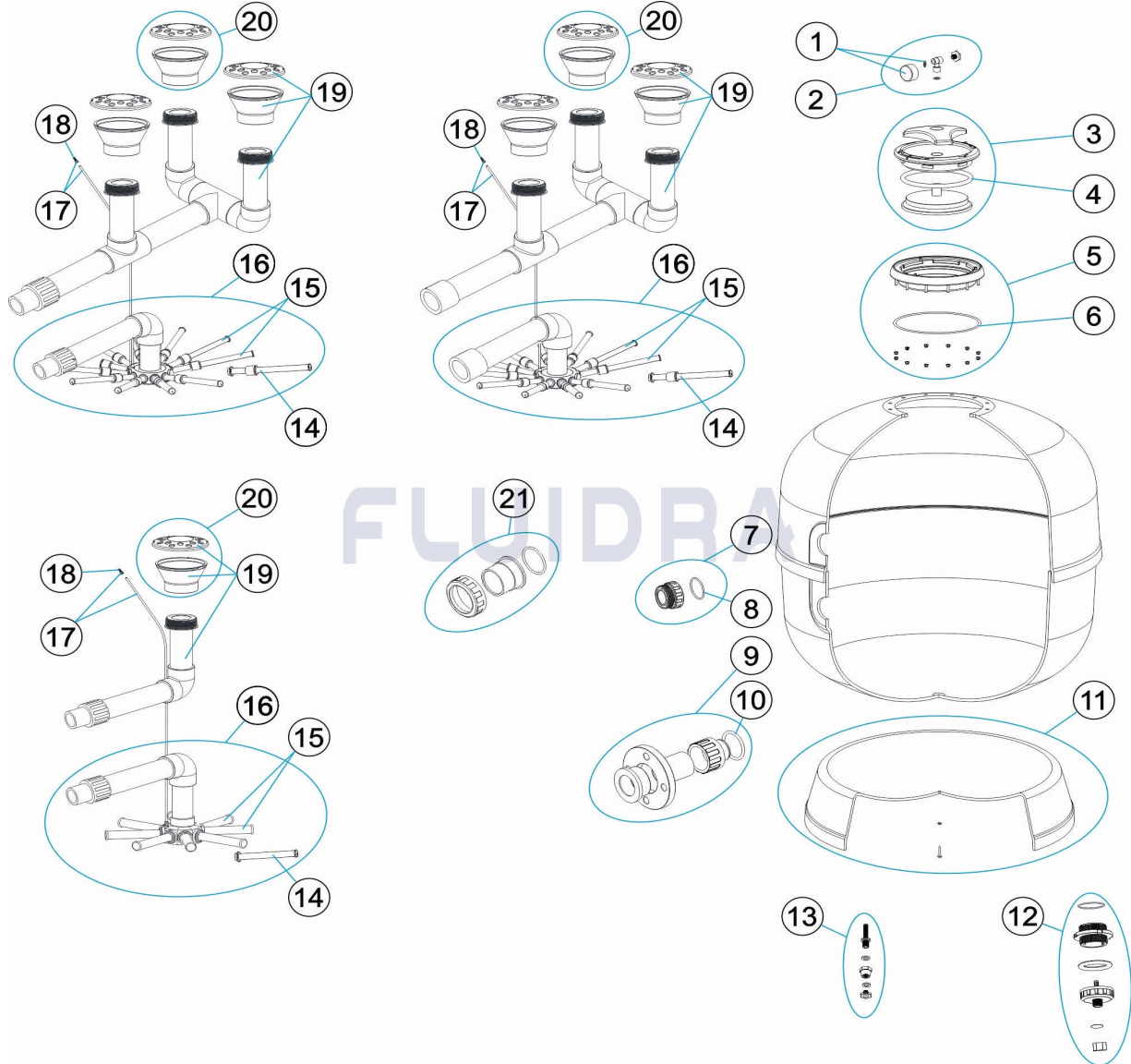


CODIGO 27802-S3, 27802-S3A, 27802-S3B, 28342-S3, 28342-S3A, 28342-S3B, 66709-S3, 66709-S3B, 66710-S3, 66710-S3A, 66710-S3B, 66711-S3, 66711-S3A, 66711-S3B

DESCRIPCION: ASTER S3 - S3A - S3B



ESPAÑOL

POS	CODIGO	DESCRIPCION	CANTIDAD	POS	CODIGO	DESCRIPCION	CANTIDAD
1	4404210103	MANOMETRO 50 PSI		12	* 4404040010	DESCARGA ARENA-AGUA	
2	4404040159	MANOMETRO 1/8" 50 PSI COMPLET		13	* 4404010108	PURGA AGUA 3/8"	
3	4404040212	TAPA + JUNTA		14	* 4404010019	BRAZO COLECTOR 1" 175 MM + FIBR "	
4	4404020111	JUNTA TAPA		14	* 4404010018	BRAZO COLECTOR 1" 225 MM + FIBR "	
5	4404040213	ARO TAPA COMPLETO		14	* 4404040218	BRAZO COLECTOR D. 900-950	
6	4404020116	JUNTA TORICA 255X4		15	* 4404040037	CJTO. BRAZOS COLECTOR FIBRA D. 600	
7	* 4404040112	RACORD SALIDA 2" + JUNTA TORIC "		15	* 4404010391	CJTO. BRAZOS COLECTOR FIBRA 1" 175MM	
7	* 4404290108	RACOR SALIDA 2 1/2" + JUNTA TORIC "		15	* 4404040217	CJTO. BRAZO D. 900-950	
8	* 4404040115	JUNTA TORICA D. 60X8		16	* 4404040039	CJTO. COLECTOR D. 600 FIBRA	
8	* 4404040211	JUNTA TORICA D. 70X5		16	* 4404040102	CONJUNTO COLECTOR D. 750	
9	* 4404020007	CJTO. SALIDA D. 90		16	* 4404040214	CONJUNTO COLECTOR D. 950	

CODIGO **27802-S3, 27802-S3A, 27802-S3B, 28342-S3, 28342-S3A, 28342-S3B, 66709-S3, 66709-S3B, 66710-S3, 66710-S3A, 66710-S3B, 66711-S3, 66711-S3A, 66711-S3B**

DESCRIPCION: ASTER S3 - S3A - S3B

10	* 4404020008	JUNTA TORICA 90X8	16	* 4404040215	CONJUNTO COLECTOR D. 950
11	* 4404010166	PIE FILTRO D. 600	16	* 4404040216	CONJUNTO COLECTOR D. 950
11	* 4404010167	PIE FILTRO D. 750	17	* 4404301003	PURGA AIRE + TUBO L=670
11	* 4404010332	PIE FILTRO D. 900	17	* 4404300607	TUBO PVC RIGIDO L-525
17	* 4404300707	TUBO RIGIDO L-845	19	* 4404270011	CONJUNTO DIFUSOR ASTER D. 950
18	4404040108	PURGA AIRE	19	* 4404270014	CONJUNTO DIFUSOR ASTER D. 950
19	* 4404270006	CONJUNTO DIFUSOR ASTER D. 600	20	4404290111	PIÑA DIFUSORA 2" - 2 ½"
19	* 4404270015	CJTO DIFUSOR ASTER D.750 USA	21	* 4404270029	ADAPTADORES PARA VÁLVULA
19	* 4404270010	CONJUNTO DIFUSOR ASTER D. 950	21	* 4404270031	ADAPTADORES PARA VÁLVULA

CODIGO **27802-S3, 27802-S3A, 27802-S3B, 28342-S3, 28342-S3A, 28342-S3B, 66709-S3, 66709-S3B, 66710-S3, 66710-S3A, 66710-S3B, 66711-S3, 66711-S3A, 66711-S3B**

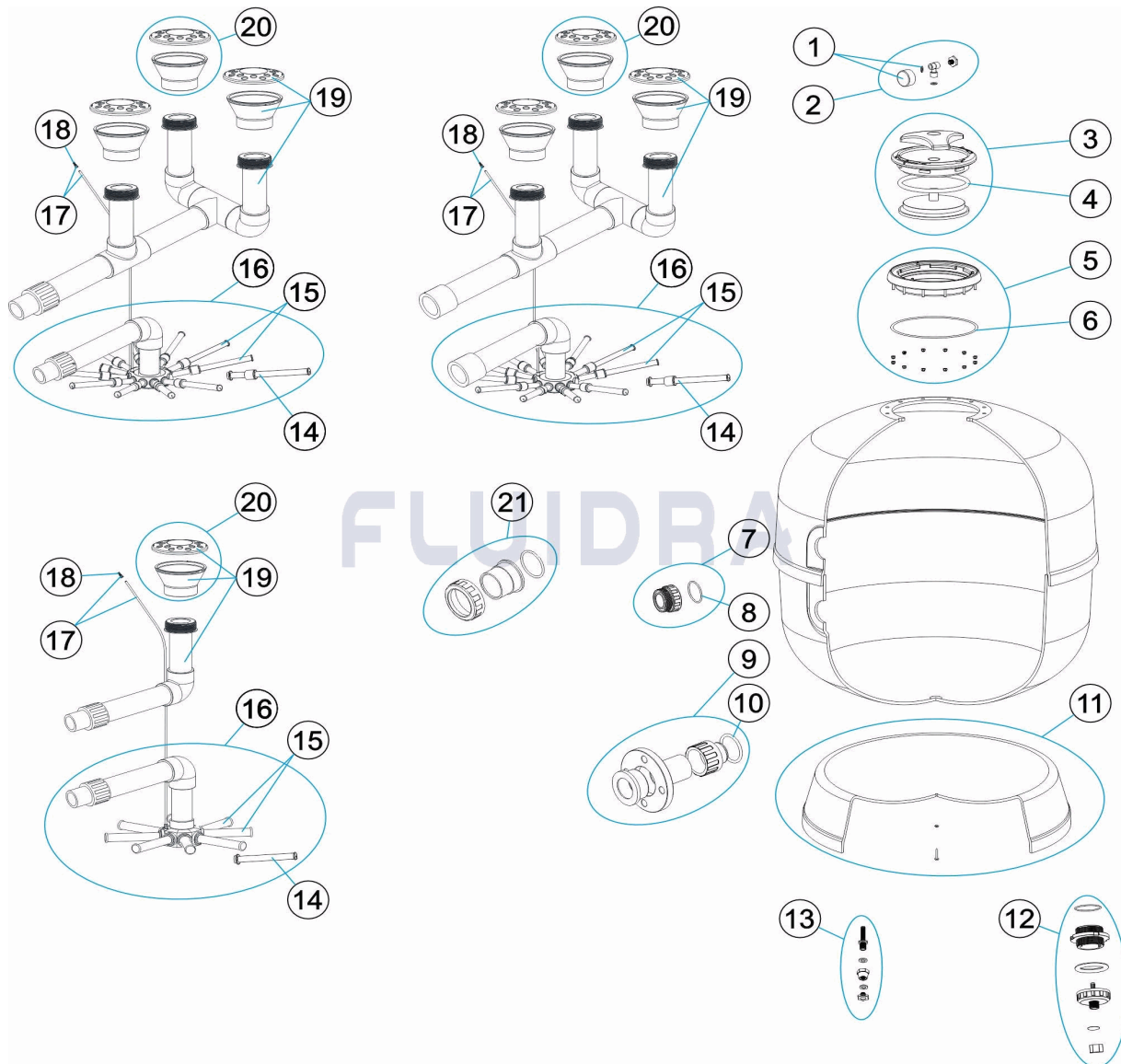
DESCRIPCION: ASTER S3 - S3A - S3B

OBSERVACIONES

POS	CODIGO	OBSERVACIONES
7	* 4404040112	PARA: 28342-S3,28342-S3A,28342-S3B,27802-S3,27802-S3A,27802-S3B,66709-S3,66709-S3B
7	* 4404290108	PARA: 66710-S3,66710-S3A,66710-S3B
8	* 4404040115	PARA: 28342-S3,28342-S3A,28342-S3B,27802-S3,27802-S3A,27802-S3B,66709-S3,66709-S3B
8	* 4404040211	PARA: 66710-S3,66710-S3A,66710-S3B
9	* 4404020007	PARA: 66711-S3,66711-S3A,66711-S3B
10	* 4404020008	PARA: 66711-S3,66711-S3A,66711-S3B
11	* 4404010166	PARA: 28342-S3,28342-S3A,28342-S3B
11	* 4404010167	PARA: 27802-S3,27802-S3A,27802-S3B
11	* 4404010332	PARA: 66709-S3,66709-S3B,66710-S3,66710-S3A,66710-S3B,66711-S3,66711-S3A,66711-S3B
12	* 4404040010	PARA: 27802-S3,27802-S3A,27802-S3B,66709-S3,66709-S3B,66710-S3,66710-S3A,66710-S3B, 66711-S3,66711-S3A,66711-S3B
13	* 4404010108	PARA: 28342-S3,28342-S3A,28342-S3B
14	* 4404010019	PARA: 28342-S3,28342-S3A,28342-S3B
14	* 4404010018	PARA: 27802-S3,27802-S3A,27802-S3B
14	* 4404040218	PARA: 66709-S3,66709-S3B,66710-S3,66710-S3A,66710-S3B,66711-S3,66711-S3A,66711-S3B
15	* 4404040037	PARA: 28342-S3,28342-S3A,28342-S3B
15	* 4404010391	PARA: 27802-S3, 27802-S3A, 27802-S3B
15	* 4404040217	PARA: 66709-S3, 66709-S3B, 66710-S3, 66710-S3A, 66710-S3B, 66711-S3, 66711-S3A, 66711-S3B
16	* 4404040039	PARA: 28342-S3,28342-S3A,28342-S3B
16	* 4404040102	PARA: 27802-S3,27802-S3A,27802-S3B
16	* 4404040214	PARA: 66709-S3,66709-S3B
16	* 4404040215	PARA: 66710-S3,66710-S3A,66710-S3B
16	* 4404040216	PARA: 66711-S3,66711-S3A,66711-S3B
17	* 4404301003	PARA: 28342-S3,28342-S3A,28342-S3B
17	* 4404300607	PARA: 27802-S3,27802-S3A,27802-S3B
17	* 4404300707	PARA: 66709-S3,66709-S3B,66710-S3,66710-S3A,66710-S3B,66711-S3,66711-S3A,66711-S3B
19	* 4404270006	PARA: 28342-S3,28342-S3A,28342-S3B
19	* 4404270015	PARA: 27802-S3,27802-S3A,27802-S3B
19	* 4404270010	PARA: 66709-S3,66709-S3B
19	* 4404270011	PARA: 66710-S3,66710-S3A,66710-S3B
19	* 4404270014	PARA: 66711-S3,66711-S3A,66711-S3B
21	* 4404270029	PARA: 28342-S3,28342-S3A,28342-S3B,27802-S3,27802-S3A,27802-S3B,66709-S3,66709-S3B
21	* 4404270031	PARA: 66710-S3,66710-S3A,66710-S3B

CODE **27802-S3, 27802-S3A, 27802-S3B, 28342-S3, 28342-S3A, 28342-S3B, 66709-S3, 66709-S3B, 66710-S3, 66710-S3A, 66710-S3B, 66711-S3, 66711-S3A, 66711-S3B**

DESCRIPTION: **ASTER S3 - S3A - S3B**



FRANCAIS

POS	CODE	DESCRIPTION	QUANTITE	POS	CODE	DESCRIPTION	QUANTITE
1	4404210103	MANOMETRE 50 PSI		12	* 4404040010	DÉCHARGE DE SABLE - EAU	
2	4404040159	MANOMETRE 1/8" 50 PSI COMPLET		13	* 4404010108	PURGE D'EAU 3/8"	
3	4404040212	COUVERCLE + JOINT		14	* 4404010019	BRAS DE REPARTITEUR 1" 175 MM + FIBR	
4	4404020111	JOINT DE COUVERCLE		14	* 4404010018	BRAS DE REPARTITEUR 1" 225 MM + FIBR	
5	4404040213	BRIDE DE COUVERCLE COMPLETE		14	* 4404040218	BRAS DE REPARTITEUR D. 900-950	
6	4404020116	JOINT TORIQUE 255X4		15	* 4404040037	ENSEMBLE BRAS DE REPARTITEUR D. 600	
7	* 4404040112	RACCORD SORTIE 2" + JOINT TORIQU "		15	* 4404010391	ENSEMBLE BRAS DE REPARTITEUR 1" 175	
7	* 4404290108	RACCOR SORTIE 2 1/2" + JOINT TORIQU "		15	* 4404040217	BRAS DE REPARTITEUR D. 900-950	
8	* 4404040115	JOINT TORIQUE D 60X8		16	* 4404040039	ENSEMBLE COLLECTEUR D. 600 FIBR	
8	* 4404040211	JOINT TORIQUE D 70X5		16	* 4404040102	ENSEMBLE COLLECTEUR D. 750	
9	* 4404020007	ENSEMBLE SORTIE D. 90		16	* 4404040214	ENSEMBLE COLLECTEUR D. 950	

CODE **27802-S3, 27802-S3A, 27802-S3B, 28342-S3, 28342-S3A, 28342-S3B,**
66709-S3, 66709-S3B, 66710-S3, 66710-S3A, 66710-S3B, 66711-S3,
66711-S3A, 66711-S3B

DESCRIPTION: ASTER S3 - S3A - S3B

10	* 4404020008	JOINT TORIQUE 90X8	16	* 4404040215	ENSEMBLE COLLECTEUR D. 950
11	* 4404010166	SOCLE FILTRE D. 600	16	* 4404040216	ENSEMBLE COLLECTEUR D. 950
11	* 4404010167	SOCLE FILTRE D. 750	17	* 4404301003	PURGE AIR + TUBE L=670
11	* 4404010332	SOCLE FILTRE D. 900	17	* 4404300607	TUBE PVC RIGIDE L-525
17	* 4404300707	TUBE RIGIDE L-845	19	* 4404270011	ENSEMBLE DIFFUSEUR ASTER D. 950
18	4404040108	PURGE D'AIR	19	* 4404270014	ENSEMBLE DIFFUSEUR ASTER D. 950
19	* 4404270006	ENSEMBLE DIFFUSEUR ASTER D. 600	20	4404290111	POMME DIFFUSEUSE 2"
19	* 4404270015	ENSEMBLE DIFFUSEUR ASTER D. 750	21	* 4404270029	ADAPTATEURS POUR VANNE
19	* 4404270010	ENSEMBLE DIFFUSEUR ASTER D. 950	21	* 4404270031	ADAPTATEURS POUR VANNE

CODE **27802-S3, 27802-S3A, 27802-S3B, 28342-S3, 28342-S3A, 28342-S3B,**
66709-S3, 66709-S3B, 66710-S3, 66710-S3A, 66710-S3B, 66711-S3,
66711-S3A, 66711-S3B

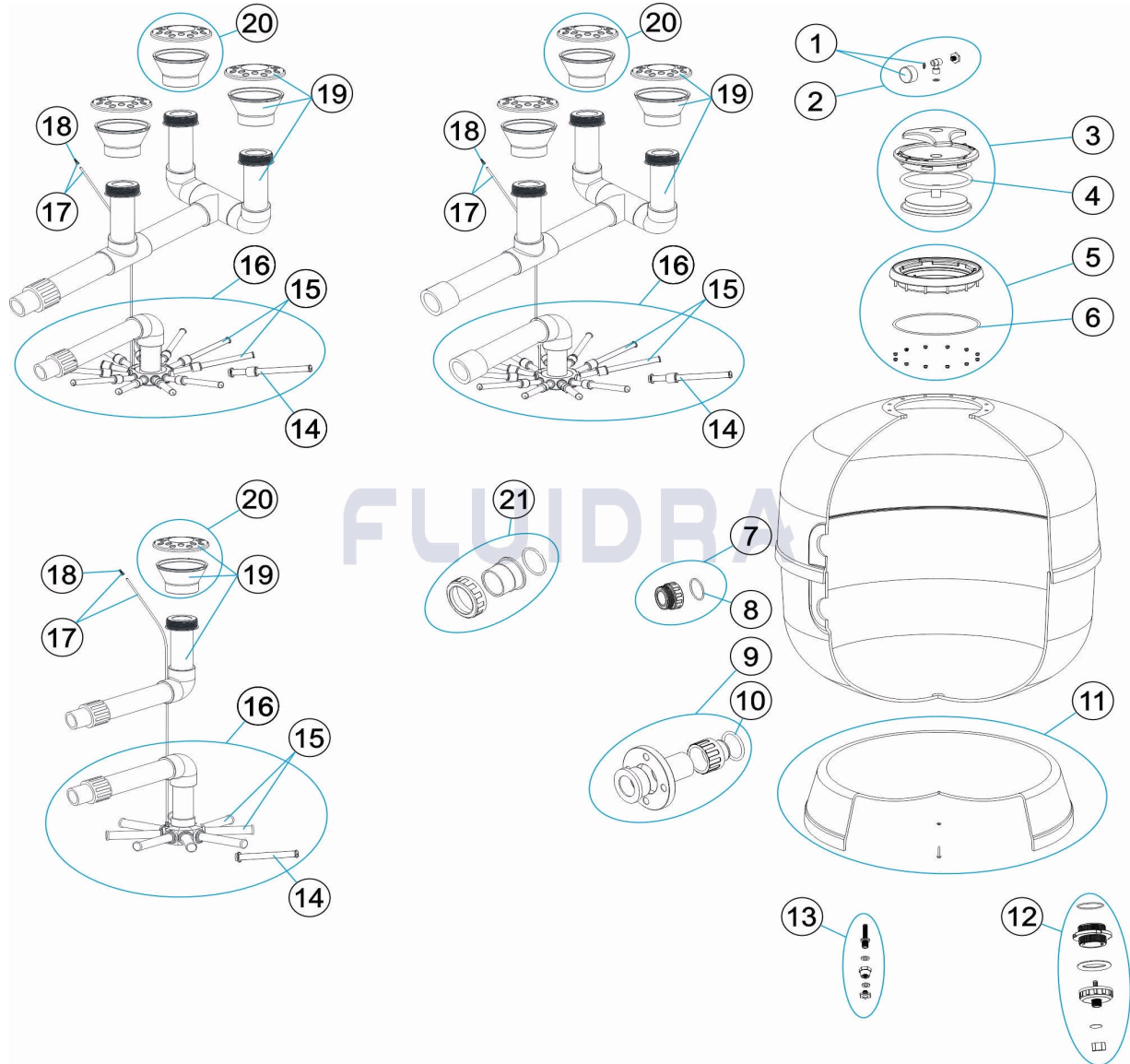
DESCRIPTION: ASTER S3 - S3A - S3B

OBSERVATIONS

POS	CODE	OBSERVATIONS
7	* 4404040112	POUR: 28342-S3,28342-S3A,28342-S3B,27802-S3,27802-S3A,27802-S3B,66709-S3,66709-S3B
7	* 4404290108	POUR: 66710-S3,66710-S3A,66710-S3B
8	* 4404040115	POUR: 28342-S3,28342-S3A,28342-S3B,27802-S3,27802-S3A,27802-S3B,66709-S3,66709-S3B
8	* 4404040211	POUR: 66710-S3,66710-S3A,66710-S3B
9	* 4404020007	POUR: 66711-S3,66711-S3A,66711-S3B
10	* 4404020008	POUR: 66711-S3,66711-S3A,66711-S3B
11	* 4404010166	POUR: 28342-S3,28342-S3A,28342-S3B
11	* 4404010167	POUR: 27802-S3,27802-S3A,27802-S3B
11	* 4404010332	POUR: 66709-S3,66709-S3B,66710-S3,66710-S3A,66710-S3B,66711-S3,66711-S3A,66711-S3B
12	* 4404040010	POUR: 27802-S3,27802-S3A,27802-S3B,66709-S3,66709-S3B,66710-S3,66710-S3A,66710-S3B, 66711-S3,66711-S3A,66711-S3B
13	* 4404010108	POUR: 28342-S3,28342-S3A,28342-S3B
14	* 4404010019	POUR: 28342-S3,28342-S3A,28342-S3B
14	* 4404010018	POUR: 27802-S3,27802-S3A,27802-S3B
14	* 4404040218	POUR: 66709-S3,66709-S3B,66710-S3,66710-S3A,66710-S3B,66711-S3,66711-S3A,66711-S3B
15	* 4404040037	POUR: 28342-S3,28342-S3A,28342-S3B
15	* 4404010391	POUR: 27802-S3, 27802-S3A, 27802-S3B
15	* 4404040217	POUR: 66709-S3, 66709-S3B, 66710-S3, 66710-S3A, 66710-S3B, 66711-S3, 66711-S3A, 66711-S3B
16	* 4404040039	POUR: 28342-S3,28342-S3A,28342-S3B
16	* 4404040102	POUR: 27802-S3,27802-S3A,27802-S3B
16	* 4404040214	POUR: 66709-S3,66709-S3B
16	* 4404040215	POUR: 66710-S3,66710-S3A,66710-S3B
16	* 4404040216	POUR: 66711-S3,66711-S3A,66711-S3B
17	* 4404301003	POUR: 28342-S3,28342-S3A,28342-S3B
17	* 4404300607	POUR: 27802-S3,27802-S3A,27802-S3B
17	* 4404300707	POUR: 66709-S3,66709-S3B,66710-S3,66710-S3A,66710-S3B,66711-S3,66711-S3A,66711-S3B
19	* 4404270006	POUR: 28342-S3,28342-S3A,28342-S3B
19	* 4404270015	POUR: 27802-S3,27802-S3A,27802-S3B
19	* 4404270010	POUR: 66709-S3,66709-S3B
19	* 4404270011	POUR: 66710-S3,66710-S3A,66710-S3B
19	* 4404270014	POUR: 66711-S3,66711-S3A,66711-S3B
21	* 4404270029	POUR: 28342-S3,28342-S3A,28342-S3B,27802-S3,27802-S3A,27802-S3B,66709-S3,66709-S3B
21	* 4404270031	POUR: 66710-S3,66710-S3A,66710-S3B

CODE **27802-S3, 27802-S3A, 27802-S3B, 28342-S3, 28342-S3A, 28342-S3B, 66709-S3, 66709-S3B, 66710-S3, 66710-S3A, 66710-S3B, 66711-S3, 66711-S3A, 66711-S3B**

DESCRIPTION: **ASTER S3 - S3A - S3B**



ENGLISH

POS	CODE	DESCRIPTION	QUANTITY	POS	CODE	DESCRIPTION	QUANTITY
1	4404210103	PRESSURE GAUGE 50 PSI		12	* 4404040010	SAND - WATER UNLOAD	
2	4404040159	PRESSURE GAUGE UNIT 1/8" 50 PSI		13	* 4404010108	WATER PURGE 3/8"	
3	4404040212	COVER + GASKET		14	* 4404010019	MANIFOLD ARM 1" 175 MM + FIBREGLA "	
4	4404020111	LID GASKET		14	* 4404010018	MANIFOLD ARM 1" 225 MM + FIBREGLA "	
5	4404040213	LID RING UNIT		14	* 4404040218	MANIFOLD ARM D. 900-950	
6	4404020116	O' RING 255X4		15	* 4404040037	MANIFOLD ARM ASSEMBLY D. 600 FIBRE	
7	* 4404040112	2" OUTLET FITTING + O'RIN "		15	* 4404010391	MANIFOLD ARM ASSEMBLY 1" 175MM FIBRI	
7	* 4404290108	OUTLET UNION 2 1/2" + O-RIN "		15	* 4404040217	MANIFOLD ARM D. 900-950	
8	* 4404040115	O' RING D. 60X8		16	* 4404040039	MANIFOLD ASSEMBLY D. 600 FIBRE	
8	* 4404040211	O' RING D. 70X5		16	* 4404040102	COLLECTOR ASSEMBLY D. 750	
9	* 4404020007	D. 90 OUTLET ASSEMBLY		16	* 4404040214	COLLECTOR ASSEMBLY D. 950	

CODE **27802-S3, 27802-S3A, 27802-S3B, 28342-S3, 28342-S3A, 28342-S3B,
66709-S3, 66709-S3B, 66710-S3, 66710-S3A, 66710-S3B, 66711-S3,
66711-S3A, 66711-S3B**

DESCRIPTION: **ASTER S3 - S3A - S3B**

10	* 4404020008	90X8 O'RING	16	* 4404040215	COLLECTOR ASSEMBLY D. 950
11	* 4404010166	FILTER BASE D. 600	16	* 4404040216	COLLECTOR ASSEMBLY D. 950
11	* 4404010167	FILTER BASE D. 750	17	* 4404301003	AIR PURGE + PIPE L=670
11	* 4404010332	FILTER BASE D. 900	17	* 4404300607	RIGID PVC PIPE L-525
17	* 4404300707	RIGID PIPE L-845	19	* 4404270011	DIFFUSOR ASSEMBLY ASTER D. 950
18	4404040108	AIR PURGE	19	* 4404270014	DIFFUSOR ASSEMBLY ASTER D. 950
19	* 4404270006	DIFFUSOR ASSEMBLY ASTER D. 600	20	4404290111	DISTRIBUTOR 2"
19	* 4404270015	DIFFUSER ASSEMBLY ASTER D. 750	21	* 4404270029	VALVE ADAPTORS
19	* 4404270010	DIFFUSOR ASSEMBLY ASTER D. 950	21	* 4404270031	VALVE ADAPTORS

CODE **27802-S3, 27802-S3A, 27802-S3B, 28342-S3, 28342-S3A, 28342-S3B, 66709-S3, 66709-S3B, 66710-S3, 66710-S3A, 66710-S3B, 66711-S3, 66711-S3A, 66711-S3B**

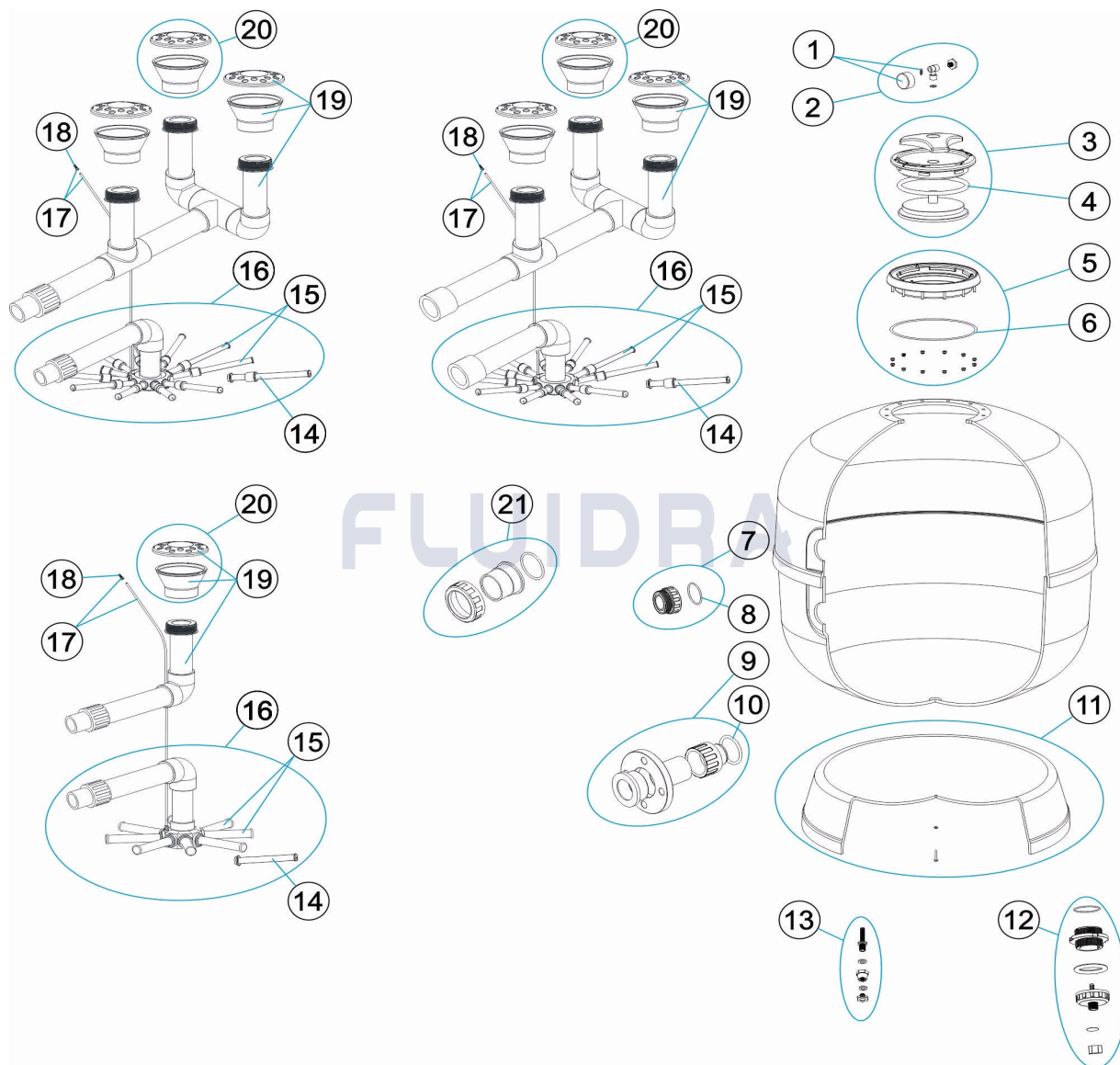
DESCRIPTION: **ASTER S3 - S3A - S3B**

OBSERVATIONS

POS	CODE	OBSERVATIONS
7	* 4404040112	FOR: 28342-S3,28342-S3A,28342-S3B,27802-S3,27802-S3A,27802-S3B,66709-S3,66709-S3B
7	* 4404290108	FOR: 66710-S3,66710-S3A,66710-S3B
8	* 4404040115	FOR: 28342-S3,28342-S3A,28342-S3B,27802-S3,27802-S3A,27802-S3B,66709-S3,66709-S3B
8	* 4404040211	FOR: 66710-S3,66710-S3A,66710-S3B
9	* 4404020007	FOR: 66711-S3,66711-S3A,66711-S3B
10	* 4404020008	FOR: 66711-S3,66711-S3A,66711-S3B
11	* 4404010166	FOR: 28342-S3,28342-S3A,28342-S3B
11	* 4404010167	FOR: 27802-S3,27802-S3A,27802-S3B
11	* 4404010332	FOR: 66709-S3,66709-S3B,66710-S3,66710-S3A,66710-S3B,66711-S3,66711-S3A,66711-S3B
12	* 4404040010	FOR: 27802-S3,27802-S3A,27802-S3B,66709-S3,66709-S3B,66710-S3,66710-S3A,66710-S3B, 66711-S3,66711-S3A,66711-S3B
13	* 4404010108	FOR: 28342-S3,28342-S3A,28342-S3B
14	* 4404010019	FOR: 28342-S3,28342-S3A,28342-S3B
14	* 4404010018	FOR: 27802-S3,27802-S3A,27802-S3B
14	* 4404040218	FOR: 66709-S3,66709-S3B,66710-S3,66710-S3A,66710-S3B,66711-S3,66711-S3A,66711-S3B
15	* 4404040037	FOR: 28342-S3,28342-S3A,28342-S3B
15	* 4404010391	FOR: 27802-S3, 27802-S3A, 27802-S3B
15	* 4404040217	FOR: 66709-S3, 66709-S3B, 66710-S3, 66710-S3A, 66710-S3B, 66711-S3, 66711-S3A, 66711-S3B
16	* 4404040039	FOR: 28342-S3,28342-S3A,28342-S3B
16	* 4404040102	FOR: 27802-S3,27802-S3A,27802-S3B
16	* 4404040214	FOR: 66709-S3,66709-S3B
16	* 4404040215	FOR: 66710-S3,66710-S3A,66710-S3B
16	* 4404040216	FOR: 66711-S3,66711-S3A,66711-S3B
17	* 4404301003	FOR: 28342-S3,28342-S3A,28342-S3B
17	* 4404300607	FOR: 27802-S3,27802-S3A,27802-S3B
17	* 4404300707	FOR: 66709-S3,66709-S3B,66710-S3,66710-S3A,66710-S3B,66711-S3,66711-S3A,66711-S3B
19	* 4404270006	FOR: 28342-S3,28342-S3A,28342-S3B
19	* 4404270015	FOR: 27802-S3,27802-S3A,27802-S3B
19	* 4404270010	FOR: 66709-S3,66709-S3B
19	* 4404270011	FOR: 66710-S3,66710-S3A,66710-S3B
19	* 4404270014	FOR: 66711-S3,66711-S3A,66711-S3B
21	* 4404270029	FOR: 28342-S3,28342-S3A,28342-S3B,27802-S3,27802-S3A,27802-S3B,66709-S3,66709-S3B
21	* 4404270031	FOR: 66710-S3,66710-S3A,66710-S3B

CODICE 27802-S3, 27802-S3A, 27802-S3B, 28342-S3, 28342-S3A, 28342-S3B,
66709-S3, 66709-S3B, 66710-S3, 66710-S3A, 66710-S3B, 66711-S3,
66711-S3A, 66711-S3B

DESCRIZIONE: ASTER S3 - S3A - S3B



ITALIANO

POS	CODICE	DESCRIZIONE	QUANTITA'	POS	CODICE	DESCRIZIONE	QUANTITA'
1	4404210103	MANOMETRO 50 PSI		12	* 4404040010	SCARICA SABBIA - ACQUA	
2	4404040159	MANOMETRO 1/8" 50 PSI COMPLET		13	* 4404010108	SCARICO ACQUA 3/8"	
3	4404040212	COPERCHIO + GUARNIZIONE		14	* 4404010019	CANDELOTTO COLLETTORE 1" 175 MM + I	
4	4404020111	GUARNIZIONE COPERCHIO		14	* 4404010018	CANDELOTTO COLLETTORE 1" 225 MM + I	
5	4404040213	FLANGIA COPERCHIO COMPLETO		14	* 4404040218	CANDELOTTO COLLETTORE D. 900-950	
6	4404020116	O-RING 255X4		15	* 4404040037	GRUPPO CANDELOTTO COLLETTORE D. 6	
7	* 4404040112	RACCORDO USCITA 2" + O-RING		15	* 4404010391	GRUPPO CANDELOTTO COLLETTORE 1" 1'	
7	* 4404290108	RACCORDO USCITA 2 1/2" + O-RIN "		15	* 4404040217	CANDELOTTO COLLETTORE D. 900-950	
8	* 4404040115	O-RING D 60X8		16	* 4404040039	KIT COLLETTORE D. 600 FIBER	
8	* 4404040211	O-RING D 70X5		16	* 4404040102	KIT COLLETTORE D. 750	
9	* 4404020007	GRUPPO USCITA D. 90		16	* 4404040214	KIT COLLETTORE D. 950	

CODICE **27802-S3, 27802-S3A, 27802-S3B, 28342-S3, 28342-S3A, 28342-S3B,
66709-S3, 66709-S3B, 66710-S3, 66710-S3A, 66710-S3B, 66711-S3,
66711-S3A, 66711-S3B**

DESCRIZIONE: ASTER S3 - S3A - S3B

10	* 4404020008	O-RING 90X8	16	* 4404040215	KIT COLLETTORE D. 950
11	* 4404010166	BASE FILTRO D. 600	16	* 4404040216	KIT COLLETTORE D. 950
11	* 4404010167	BASE FILTRO D. 750	17	* 4404301003	SPURGO ARIA + TUBO L=670
11	* 4404010332	BASE FILTRO D. 900	17	* 4404300607	TUBO PVC RIGIDO L-525
17	* 4404300707	TUBO RIGIDO L-845	19	* 4404270011	GRUPPO DIFFUSORE ASTER D. 950
18	4404040108	SFIATO ARIA	19	* 4404270014	GRUPPO DIFFUSORE ASTER D. 950
19	* 4404270006	GRUPPO DIFFUSORE ASTER D. 600	20	4404290111	DIFFUSORE 2"
19	* 4404270015	RACCORDO DIFFUSORE ASTER D. 750	21	* 4404270029	ADATTATORI PER VALVOLA
19	* 4404270010	GRUPPO DIFFUSORE ASTER D. 950	21	* 4404270031	ADATTATORI PER VALVOLA

CODICE **27802-S3, 27802-S3A, 27802-S3B, 28342-S3, 28342-S3A, 28342-S3B, 66709-S3, 66709-S3B, 66710-S3, 66710-S3A, 66710-S3B, 66711-S3, 66711-S3A, 66711-S3B**

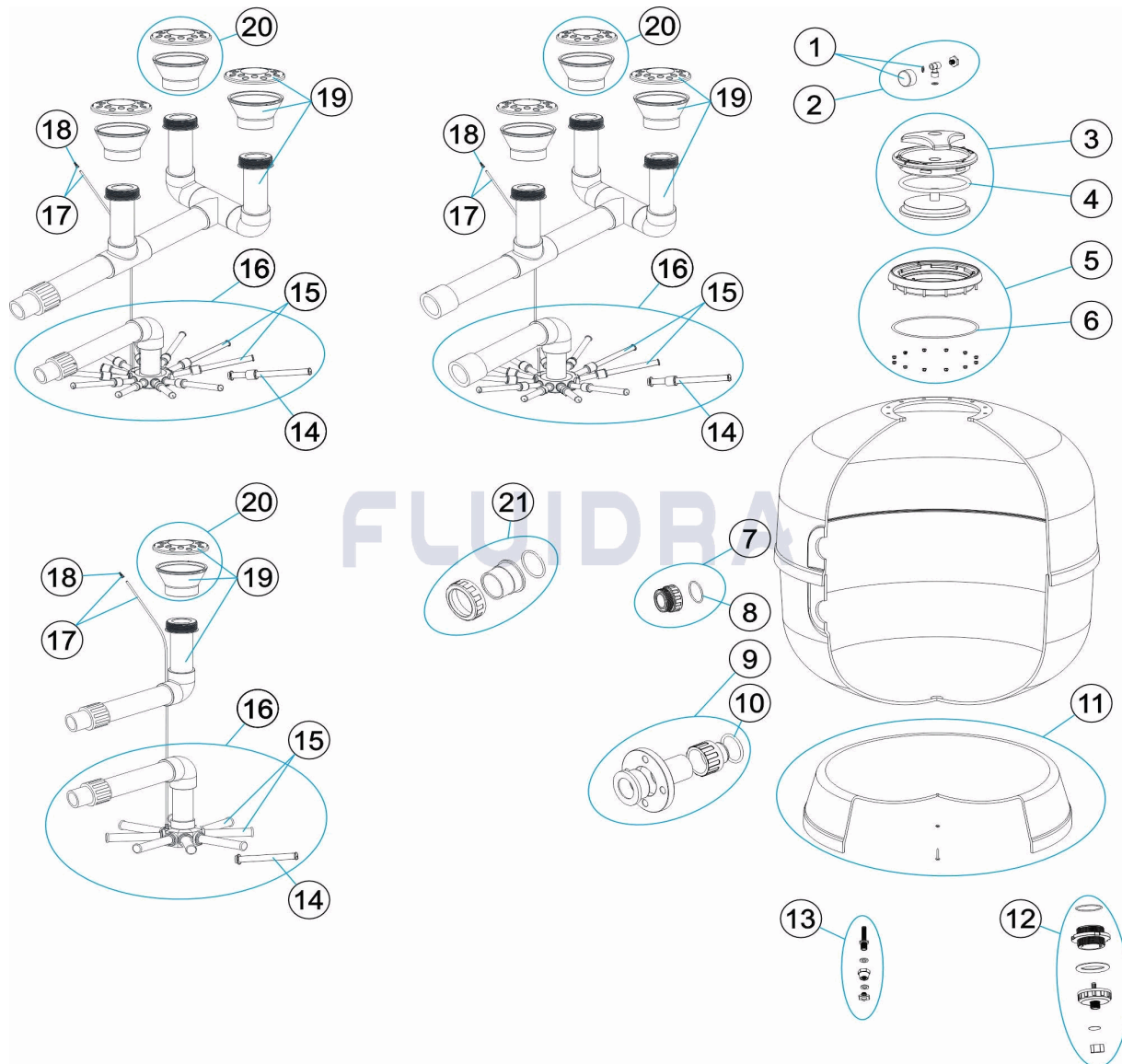
DESCRIZIONE: ASTER S3 - S3A - S3B

OSSERVAZIONI

POS	CODICE	OSSERVAZIONI
7	* 4404040112	PER: 28342-S3,28342-S3A,28342-S3B,27802-S3,27802-S3A,27802-S3B,66709-S3,66709-S3B
7	* 4404290108	PER: 66710-S3,66710-S3A,66710-S3B
8	* 4404040115	PER: 28342-S3,28342-S3A,28342-S3B,27802-S3,27802-S3A,27802-S3B,66709-S3,66709-S3B
8	* 4404040211	PER: 66710-S3,66710-S3A,66710-S3B
9	* 4404020007	PER: 66711-S3,66711-S3A,66711-S3B
10	* 4404020008	PER: 66711-S3,66711-S3A,66711-S3B
11	* 4404010166	PER: 28342-S3,28342-S3A,28342-S3B
11	* 4404010167	PER: 27802-S3,27802-S3A,27802-S3B
11	* 4404010332	PER: 66709-S3,66709-S3B,66710-S3,66710-S3A,66710-S3B,66711-S3,66711-S3A,66711-S3B
12	* 4404040010	PER: 27802-S3,27802-S3A,27802-S3B,66709-S3,66709-S3B,66710-S3,66710-S3A,66710-S3B,66711-S3,66711-S3A,66711-S3B
13	* 4404010108	PER: 28342-S3,28342-S3A,28342-S3B
14	* 4404010019	PER: 28342-S3,28342-S3A,28342-S3B
14	* 4404010018	PER: 27802-S3,27802-S3A,27802-S3B
14	* 4404040218	PER: 66709-S3,66709-S3B,66710-S3,66710-S3A,66710-S3B,66711-S3,66711-S3A,66711-S3B
15	* 4404040037	PER: 28342-S3,28342-S3A,28342-S3B
15	* 4404010391	PER: 27802-S3, 27802-S3A, 27802-S3B
15	* 4404040217	PER: 66709-S3, 66709-S3B, 66710-S3, 66710-S3A, 66710-S3B, 66711-S3, 66711-S3A, 66711-S3B
16	* 4404040039	PER: 28342-S3,28342-S3A,28342-S3B
16	* 4404040102	PER: 27802-S3,27802-S3A,27802-S3B
16	* 4404040214	PER: 66709-S3,66709-S3B
16	* 4404040215	PER: 66710-S3,66710-S3A,66710-S3B
16	* 4404040216	PER: 66711-S3,66711-S3A,66711-S3B
17	* 4404301003	PER: 28342-S3,28342-S3A,28342-S3B
17	* 4404300607	PER: 27802-S3,27802-S3A,27802-S3B
17	* 4404300707	PER: 66709-S3,66709-S3B,66710-S3,66710-S3A,66710-S3B,66711-S3,66711-S3A,66711-S3B
19	* 4404270006	PER: 28342-S3,28342-S3A,28342-S3B
19	* 4404270015	PER: 27802-S3,27802-S3A,27802-S3B
19	* 4404270010	PER: 66709-S3,66709-S3B
19	* 4404270011	PER: 66710-S3,66710-S3A,66710-S3B
19	* 4404270014	PER: 66711-S3,66711-S3A,66711-S3B
21	* 4404270029	PER: 28342-S3,28342-S3A,28342-S3B,27802-S3,27802-S3A,27802-S3B,66709-S3,66709-S3B
21	* 4404270031	PER: 66710-S3,66710-S3A,66710-S3B

CODE **27802-S3, 27802-S3A, 27802-S3B, 28342-S3, 28342-S3A, 28342-S3B, 66709-S3, 66709-S3B, 66710-S3, 66710-S3A, 66710-S3B, 66711-S3, 66711-S3A, 66711-S3B**

BESCHREIBUNG: **ASTER S3 - S3A - S3B**



DEUTSCH

POS	CODE	BESCHREIBUNG	MENGE	POS	CODE	BESCHREIBUNG	MENGE
1	4404210103	MANOMETER 50 PSI		12	* 4404040010	SANDAUSLASS - ABLASS	
2	4404040159	MANOMETER 1/8" 50 PSI KOMPLET		13	* 4404010108	WASSERABLASS 3/8"	
3	4404040212	DECKEL + DICHTUNG		14	* 4404010019	FILTERSTERN-SCHLITZROHR 1" 175 MM MI	
4	4404020111	DICHTUNG ABDECKUNG		14	* 4404010018	FILTERSTERN-SCHLITZROHR 1" 225 MM MI	
5	4404040213	EINSATZ RAPID DECKEL KOMPLETT		14	* 4404040218	FILTERSTERN-SCHLITZROHR D. 900-950	
6	4404020116	O-RING 255 X 4		15	* 4404040037	SET FILTERSTERN-SCHLITZROHR D. 600 F	
7	* 4404040112	GEWINDESTÜCK AUSGANG 2" UND O-RIN		15	* 4404010391	SET FILTERSTERN-SCHLITZROHR 1" 175MI	
7	* 4404290108	GEWINDESTÜCK AUSGANG 2 1/2" UND O-I		15	* 4404040217	FILTERSTERN-SCHLITZROHR D. 900-950	
8	* 4404040115	O-RING D. 60 X 8		16	* 4404040039	SAMMELROHRSET D. 600 FIBER	
8	* 4404040211	O-RING D. 70 X 5		16	* 4404040102	SET SAMMELROHR D. 750	
9	* 4404020007	SET AUSGANG D. 90		16	* 4404040214	SET SAMMELROHR D. 950	

CODE **27802-S3, 27802-S3A, 27802-S3B, 28342-S3, 28342-S3A, 28342-S3B,**
66709-S3, 66709-S3B, 66710-S3, 66710-S3A, 66710-S3B, 66711-S3,
66711-S3A, 66711-S3B

BESCHREIBUNG: ASTER S3 - S3A - S3B

10	* 4404020008	O-RING 90X8	16	* 4404040215	SET SAMMELROHR D. 950
11	* 4404010166	FILTERFUSS D. 600	16	* 4404040216	SET SAMMELROHR D. 950
11	* 4404010167	FILTERFUSS D. 750	17	* 4404301003	ENTLÜFTUNG UND ROHR L=670
11	* 4404010332	FILTERFUSS D. 900	17	* 4404300607	ROHR PVC HART L - 525
17	* 4404300707	ROHR HART L - 845	19	* 4404270011	SET VERTEILER ASTER D. 950
18	4404040108	ENTLÜFTUNG	19	* 4404270014	SET VERTEILER ASTER D. 950
19	* 4404270006	SET VERTEILER ASTER D. 600	20	4404290111	KOPF WASSERVERTEILER 2" - 2 1/2"
19	* 4404270015	SET WASSERVERTEILER ASTER D. 750 US	21	* 4404270029	VENTILADAPTER
19	* 4404270010	SET VERTEILER ASTER D. 950	21	* 4404270031	ADAPTER FÜR VENTIL

CODE **27802-S3, 27802-S3A, 27802-S3B, 28342-S3, 28342-S3A, 28342-S3B, 66709-S3, 66709-S3B, 66710-S3, 66710-S3A, 66710-S3B, 66711-S3, 66711-S3A, 66711-S3B**

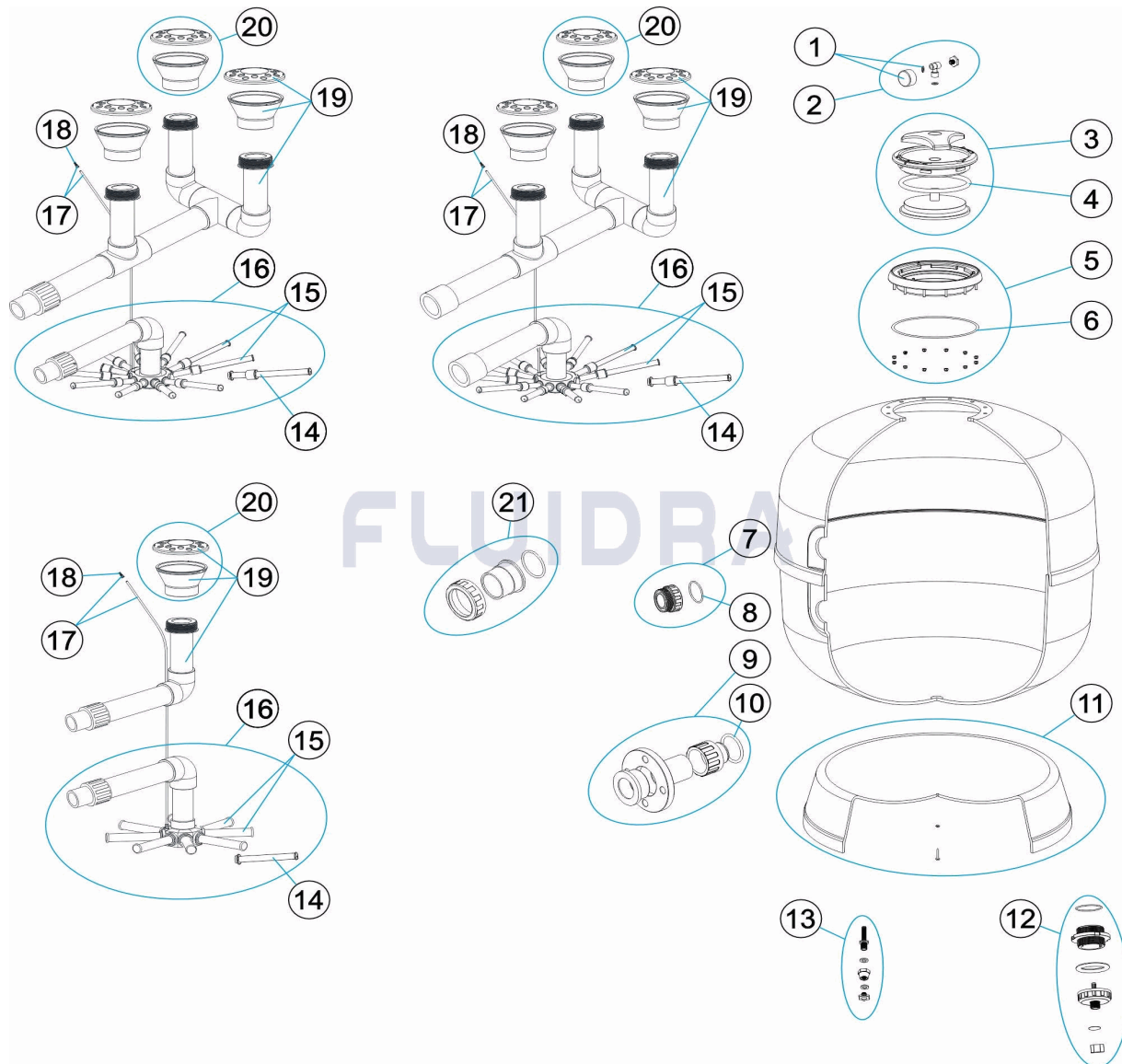
BESCHREIBUNG: ASTER S3 - S3A - S3B

HINWEISE

POS	CODE	HINWEISE
7	* 4404040112	FÜR: 28342-S3,28342-S3A,28342-S3B,27802-S3,27802-S3A,27802-S3B,66709-S3,66709-S3B
7	* 4404290108	FÜR: 66710-S3,66710-S3A,66710-S3B
8	* 4404040115	FÜR: 28342-S3,28342-S3A,28342-S3B,27802-S3,27802-S3A,27802-S3B,66709-S3,66709-S3B
8	* 4404040211	FÜR: 66710-S3,66710-S3A,66710-S3B
9	* 4404020007	FÜR: 66711-S3,66711-S3A,66711-S3B
10	* 4404020008	FÜR: 66711-S3,66711-S3A,66711-S3B
11	* 4404010166	FÜR: 28342-S3,28342-S3A,28342-S3B
11	* 4404010167	FÜR: 27802-S3,27802-S3A,27802-S3B
11	* 4404010332	FÜR: 66709-S3,66709-S3B,66710-S3,66710-S3A,66710-S3B,66711-S3,66711-S3A,66711-S3B
12	* 4404040010	FÜR: 27802-S3,27802-S3A,27802-S3B,66709-S3,66709-S3B,66710-S3,66710-S3A,66710-S3B,66711-S3,66711-S3A,66711-S3B
13	* 4404010108	FÜR: 28342-S3,28342-S3A,28342-S3B
14	* 4404010019	FÜR: 28342-S3,28342-S3A,28342-S3B
14	* 4404010018	FÜR: 27802-S3,27802-S3A,27802-S3B
14	* 4404040218	FÜR: 66709-S3,66709-S3B,66710-S3,66710-S3A,66710-S3B,66711-S3,66711-S3A,66711-S3B
15	* 4404040037	FÜR: 28342-S3,28342-S3A,28342-S3B
15	* 4404010391	FÜR: 27802-S3, 27802-S3A, 27802-S3B
15	* 4404040217	FÜR: 66709-S3, 66709-S3B, 66710-S3, 66710-S3A, 66710-S3B, 66711-S3, 66711-S3A, 66711-S3B
16	* 4404040039	FÜR: 28342-S3,28342-S3A,28342-S3B
16	* 4404040102	FÜR: 27802-S3,27802-S3A,27802-S3B
16	* 4404040214	FÜR: 66709-S3,66709-S3B
16	* 4404040215	FÜR: 66710-S3,66710-S3A,66710-S3B
16	* 4404040216	FÜR: 66711-S3,66711-S3A,66711-S3B
17	* 4404301003	FÜR: 28342-S3,28342-S3A,28342-S3B
17	* 4404300607	FÜR: 27802-S3,27802-S3A,27802-S3B
17	* 4404300707	FÜR: 66709-S3,66709-S3B,66710-S3,66710-S3A,66710-S3B,66711-S3,66711-S3A,66711-S3B
19	* 4404270006	FÜR: 28342-S3,28342-S3A,28342-S3B
19	* 4404270015	FÜR: 27802-S3,27802-S3A,27802-S3B
19	* 4404270010	FÜR: 66709-S3,66709-S3B
19	* 4404270011	FÜR: 66710-S3,66710-S3A,66710-S3B
19	* 4404270014	FÜR: 66711-S3,66711-S3A,66711-S3B
21	* 4404270029	FÜR: 28342-S3,28342-S3A,28342-S3B,27802-S3,27802-S3A,27802-S3B,66709-S3,66709-S3B
21	* 4404270031	FÜR: 66710-S3,66710-S3A,66710-S3B

CODIGO 27802-S3, 27802-S3A, 27802-S3B, 28342-S3, 28342-S3A, 28342-S3B, 66709-S3, 66709-S3B, 66710-S3, 66710-S3A, 66710-S3B, 66711-S3, 66711-S3A, 66711-S3B

DESCRIÇÃO: ASTER S3 - S3A - S3B



PORTUGUES

POS	CODIGO	DESCRIÇÃO	JANTIDADE	POS	CODIGO	DESCRIÇÃO	JANTIDADE
1	4404210103	MANÓMETRO 50 PSI		12	* 4404040010	DESCARREGA AREIA - ÁGUA	
2	4404040159	MANÓMETRO 1/8" 50 PSI COMPLET		13	* 4404010108	PURGA AGUA 3/8"	
3	4404040212	TAMPA + JUNTA		14	* 4404010019	BRAÇO COLECTOR 1" 175 MM + FIBR "	
4	4404020111	JUNTA TAMPA		14	* 4404010018	BRAÇO COLECTOR 1" 225 MM + FIBR "	
5	4404040213	ARO TAMPA COMPLETO		14	* 4404040218	BRAÇO COLECTOR D. 900-950	
6	4404020116	JUNTA TÓRICA 255X4		15	* 4404040037	CJTO. BRAÇO COLECTOR D. 600 FIBR	
7	* 4404040112	ACOPLADOR SAÍDA 2" + JUNTA TORIC "		15	* 4404010391	CJTO. BRAÇO COLECTOR 1" 175MM FIBR	
7	* 4404290108	RACORD DE SAIDA 2 1/2" + JUNTA TÓRIC		15	* 4404040217	BRAÇO COLECTOR D. 900-950	
8	* 4404040115	JUNTA TÓRICA D 60X8		16	* 4404040039	CJTO. COLECTOR D. 600 FIBR	
8	* 4404040211	JUNTA TÓRICA D 70X5		16	* 4404040102	CONJUNTO COLECTOR D. 750	
9	* 4404020007	CONJUNTO SAÍDA D.90		16	* 4404040214	CONJUNTO COLECTOR D. 950	

CODIGO **27802-S3, 27802-S3A, 27802-S3B, 28342-S3, 28342-S3A, 28342-S3B, 66709-S3, 66709-S3B, 66710-S3, 66710-S3A, 66710-S3B, 66711-S3, 66711-S3A, 66711-S3B**

DESCRIÇÃO: ASTER S3 - S3A - S3B

10	* 4404020008	JUNTA TÓRICA 90X8	16	* 4404040215	CONJUNTO COLECTOR D. 950
11	* 4404010166	PÉ FILTRO D. 600	16	* 4404040216	CONJUNTO COLECTOR D. 950
11	* 4404010167	PÉ FILTRO D. 750	17	* 4404301003	PURGA AR + TUBO L=670
11	* 4404010332	PÉ FILTRO D. 900	17	* 4404300607	TUBO PVC RÍGIDO L-525
17	* 4404300707	TUBO RÍGIDO L-845	19	* 4404270011	CONJUNTO DIFUSOR ASTER D. 950
18	4404040108	PURGA AREIA	19	* 4404270014	CONJUNTO DIFUSOR ASTER D. 950
19	* 4404270006	CONJUNTO DIFUSOR ASTER D. 600	20	4404290111	DIFUSOR 2
19	* 4404270015	CJTO. DIFUSOR ASTER D. 750	21	* 4404270029	ADAPTADORES PARA VÁLVULA
19	* 4404270010	CONJUNTO DIFUSOR ASTER D. 950	21	* 4404270031	ADAPTADORES PARA VÁLVULA

CODIGO **27802-S3, 27802-S3A, 27802-S3B, 28342-S3, 28342-S3A, 28342-S3B, 66709-S3, 66709-S3B, 66710-S3, 66710-S3A, 66710-S3B, 66711-S3, 66711-S3A, 66711-S3B**

DESCRIÇÃO: ASTER S3 - S3A - S3B

OBSERVAÇÕES

POS	CODIGO	OBSERVAÇÕES
7	* 4404040112	PARA: 28342-S3,28342-S3A,28342-S3B,27802-S3,27802-S3A,27802-S3B,66709-S3,66709-S3B
7	* 4404290108	PARA: 66710-S3,66710-S3A,66710-S3B
8	* 4404040115	PARA: 28342-S3,28342-S3A,28342-S3B,27802-S3,27802-S3A,27802-S3B,66709-S3,66709-S3B
8	* 4404040211	PARA: 66710-S3,66710-S3A,66710-S3B
9	* 4404020007	PARA: 66711-S3,66711-S3A,66711-S3B
10	* 4404020008	PARA: 66711-S3,66711-S3A,66711-S3B
11	* 4404010166	PARA: 28342-S3,28342-S3A,28342-S3B
11	* 4404010167	PARA: 27802-S3,27802-S3A,27802-S3B
11	* 4404010332	PARA: 66709-S3,66709-S3B,66710-S3,66710-S3A,66710-S3B,66711-S3,66711-S3A,66711-S3B
12	* 4404040010	PARA: 27802-S3,27802-S3A,27802-S3B,66709-S3,66709-S3B,66710-S3,66710-S3A,66710-S3B, 66711-S3,66711-S3A,66711-S3B
13	* 4404010108	PARA: 28342-S3,28342-S3A,28342-S3B
14	* 4404010019	PARA: 28342-S3,28342-S3A,28342-S3B
14	* 4404010018	PARA: 27802-S3,27802-S3A,27802-S3B
14	* 4404040218	PARA: 66709-S3,66709-S3B,66710-S3,66710-S3A,66710-S3B,66711-S3,66711-S3A,66711-S3B
15	* 4404040037	PARA: 28342-S3,28342-S3A,28342-S3B
15	* 4404010391	PARA: 27802-S3, 27802-S3A, 27802-S3B
15	* 4404040217	PARA: 66709-S3, 66709-S3B, 66710-S3, 66710-S3A, 66710-S3B, 66711-S3, 66711-S3A, 66711-S3B
16	* 4404040039	PARA: 28342-S3,28342-S3A,28342-S3B
16	* 4404040102	PARA: 27802-S3,27802-S3A,27802-S3B
16	* 4404040214	PARA: 66709-S3,66709-S3B
16	* 4404040215	PARA: 66710-S3,66710-S3A,66710-S3B
16	* 4404040216	PARA: 66711-S3,66711-S3A,66711-S3B
17	* 4404301003	PARA: 28342-S3,28342-S3A,28342-S3B
17	* 4404300607	PARA: 27802-S3,27802-S3A,27802-S3B
17	* 4404300707	PARA: 66709-S3,66709-S3B,66710-S3,66710-S3A,66710-S3B,66711-S3,66711-S3A,66711-S3B
19	* 4404270006	PARA: 28342-S3,28342-S3A,28342-S3B
19	* 4404270015	PARA: 27802-S3,27802-S3A,27802-S3B
19	* 4404270010	PARA: 66709-S3,66709-S3B
19	* 4404270011	PARA: 66710-S3,66710-S3A,66710-S3B
19	* 4404270014	PARA: 66711-S3,66711-S3A,66711-S3B
21	* 4404270029	PARA: 28342-S3,28342-S3A,28342-S3B,27802-S3,27802-S3A,27802-S3B,66709-S3,66709-S3B
21	* 4404270031	PARA: 66710-S3,66710-S3A,66710-S3B