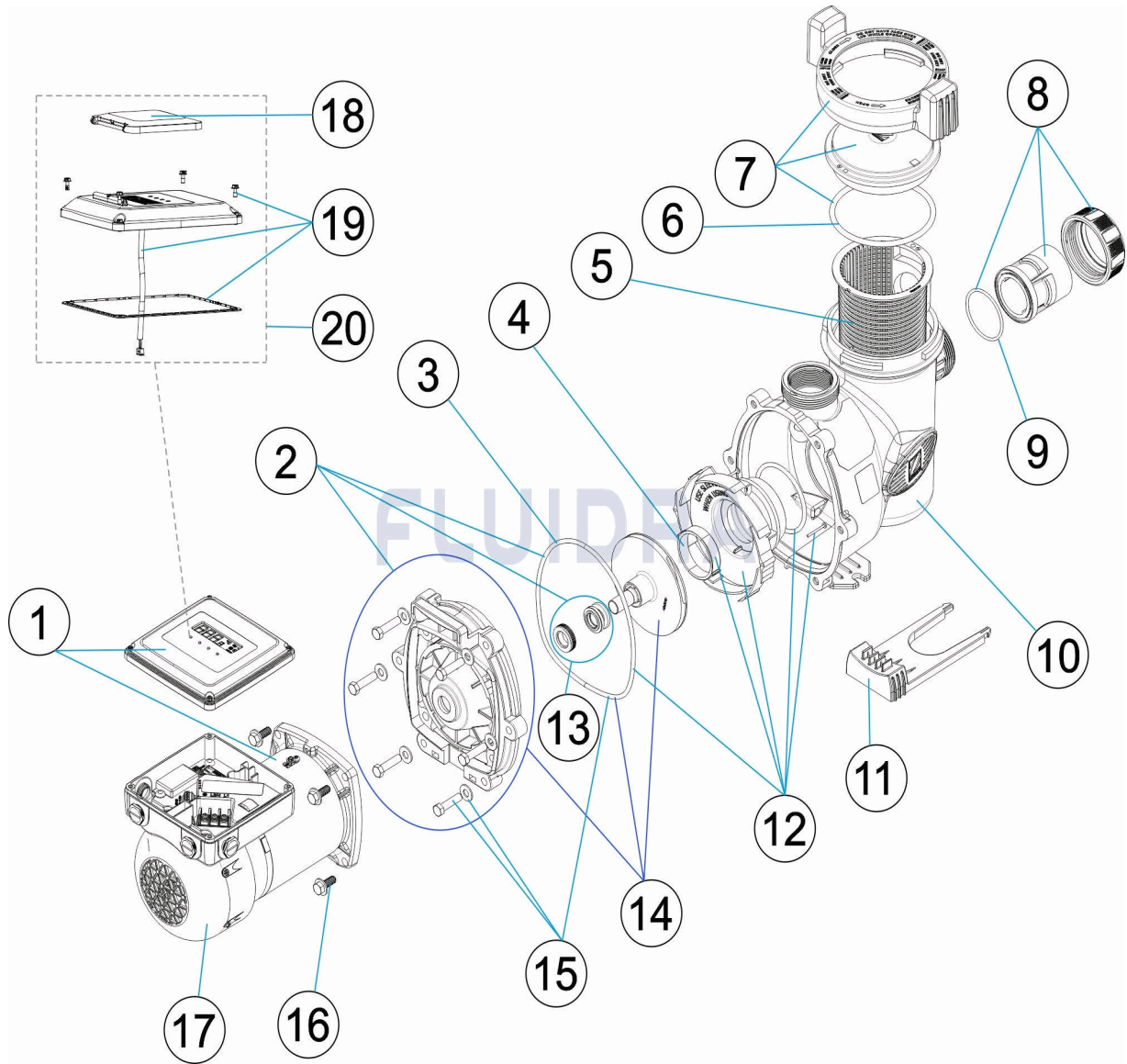


CODIGO **WP000221, WP000222**

 DESCRIPCION: **E30 IQ**

ESPAÑOL

POS	CODIGO	DESCRIPCION	CANTIDAD	POS	CODIGO	DESCRIPCION	CANTIDAD
1	* R1009000	MOTOR & HARDWARE, E30 IQ		13	R0728500	SELLO MECÁNICO	
1	* R1009001	MOTOR & HARDWARE, E30 IQ		14	* R1008700	RODETE E30 IQ	
2	R0479501	KIT PLACA TRASERA FLOPRO		14	* R1008701	RODETE E30 IQ	
3	R0480301	JUNTA TAPA TRASERA FHP		15	R0480501	TORNILLERÍA MOTOR PLACA TRASERA (PA	
4	R0746800	ANILLO TURBINA FHP		16	R0446702	TORNILLERÍA MOTOR (PASADORES & ARA	
5	R0480101	CESTO PREFILTRO FHP		17	4405011337	CJTO. VENTILADOR-TAPA	
6	R0480201	JUNTA TAPA PREFILTRO (PASADORES, AR		18	4405011334	TAPA CONTROLADOR	
7	R0480001	KIT TAPA PREFILTRO FHP (+ JUNTA)		19	4405011336	JUNTA+TORNILLOS+CABLE CONTROLADO	
8	* R0728700	KIT RACORS UNIÓN DN63/50 MM (2 UN.)		20	4405011312	CONTROLADOR HMI	
8	* R0792700	KIT RACORS UNIÓN 2" UK (X2, SIN TUERC.		-	71840	2 "-1,5" ROSCADO REDUCTOR PARA RETR	
9	R0728800	KIT JUNTAS DE UNIÓN (2 UN.)		-	R0446001	KIT TAPONES DE VACIADO (+ JUNTAS, X 2L	
10	R1008900	CUERPO BOMBA		-	R0486701	ZÓCALO BOMBA BAJO	
11	R0479901	PIE BOMBA FLOPRO E3		-	R0546401	ZÓCALO BOMBA ALTO	

* NOTA OBSERVACIONES

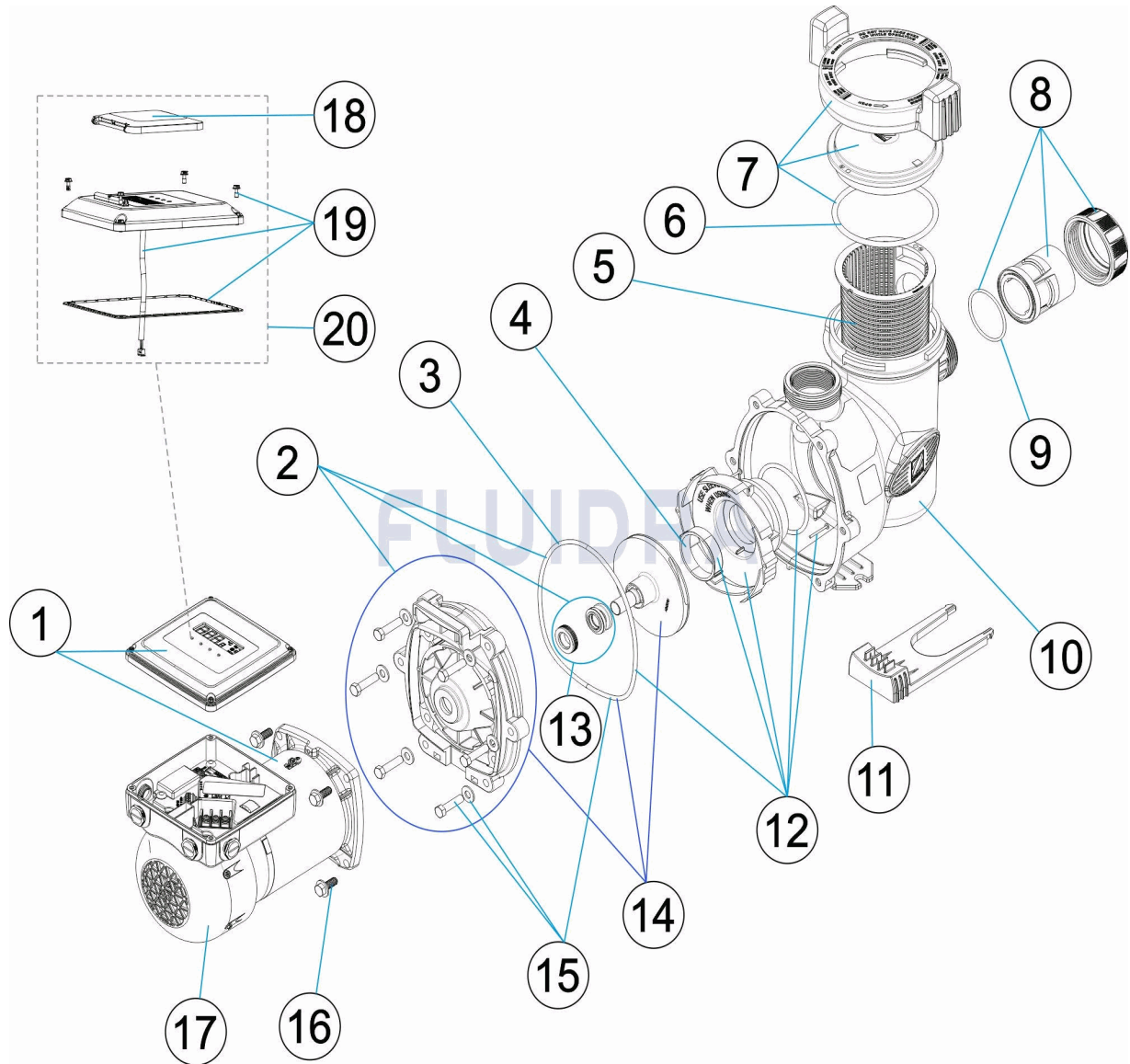
CODIGO **WP000221, WP000222**DESCRIPCION: **E30 IQ**

12	W0479700	KIT DIFUSOR FLOPRO E3 100			
----	----------	---------------------------	--	--	--

CODIGO **WP000221, WP000222**DESCRIPCION: **E30 IQ****OBSERVACIONES**

POS	CODIGO	OBSERVACIONES
1	* R1009000	PARA: WP000221
1	* R1009001	PARA: WP000222
8	* R0728700	PARA: METRIC
8	* R0792700	PARA: IMPERIAL
14	* R1008700	PARA: WP000221
14	* R1008701	PARA: WP000222

CODE **WP000221, WP000222**

 DESCRIPTION: **E30 IQ**

FRANCAIS

POS	CODE	DESCRIPTION	QUANTITE	POS	CODE	DESCRIPTION	QUANTITE
1	* R1009000	MOTOR & HARDWARE, E30 IQ		13	R0728500	GARNITURE MÉCANIQUE FHP	
1	* R1009001	MOTOR & HARDWARE, E30 IQ		14	* R1008700	IMPULSEUR E30 IQ	
2	R0479501	KIT PLAQUE ARRIÈRE FHP (+ VISSERIE, JC		14	* R1008701	IMPULSEUR E30 IQ	
3	R0480301	JOINT PLAQUE ARRIÈRE FHP		15	R0480501	VISSERIE PLAQUE ARRIÈRE (BOULONS, R	
4	R0746800	BAGUE DE ROTATION FHP		16	R0446702	VISSERIE MOTEUR (BOULONS & RONDELL	
5	R0480101	PANIER PRÉFILTRE FHP		17	4405011337	ENSEMBLE COUVERCLE VENTILATEUR	
6	R0480201	JOINT COUVERCLE PRÉFILTRE		18	4405011334	COUVERCLE DU CONTRÔLEUR	
7	R0480001	KIT COUVERCLE PRÉFILTRE FHP (+ JOINT		19	4405011336	JOINT+VIS+CABLE CONTROLEUR	
8	* R0728700	KIT RACCORDS UNION DN63/50 MM (2 PIÈ		20	4405011312	CONTRÔLEUR HMI	
8	* R0792700	KIT RACCORDS UNION 2" UK (2 PIÈCES, S.		-	71840	RÉDUCTEUR FILETÉ 2"-1.5" SPÉCIFIQUE P	
9	R0728800	KIT JOINTS RACCORD UNION (X2)		-	R0446001	KIT BOUCHONS DE VIDANGE (+ JOINTS, X2	
10	R1008900	CORPS DE POMPE		-	R0486701	SOCLE POMPE FIN	
11	R0479901	PIED POMPE FHP 100M, 150M, 200M, 150T		-	R0546401	SOCLE POMPE ÉPAIS	

* VOIR FICHE D'OBSERVATIONS

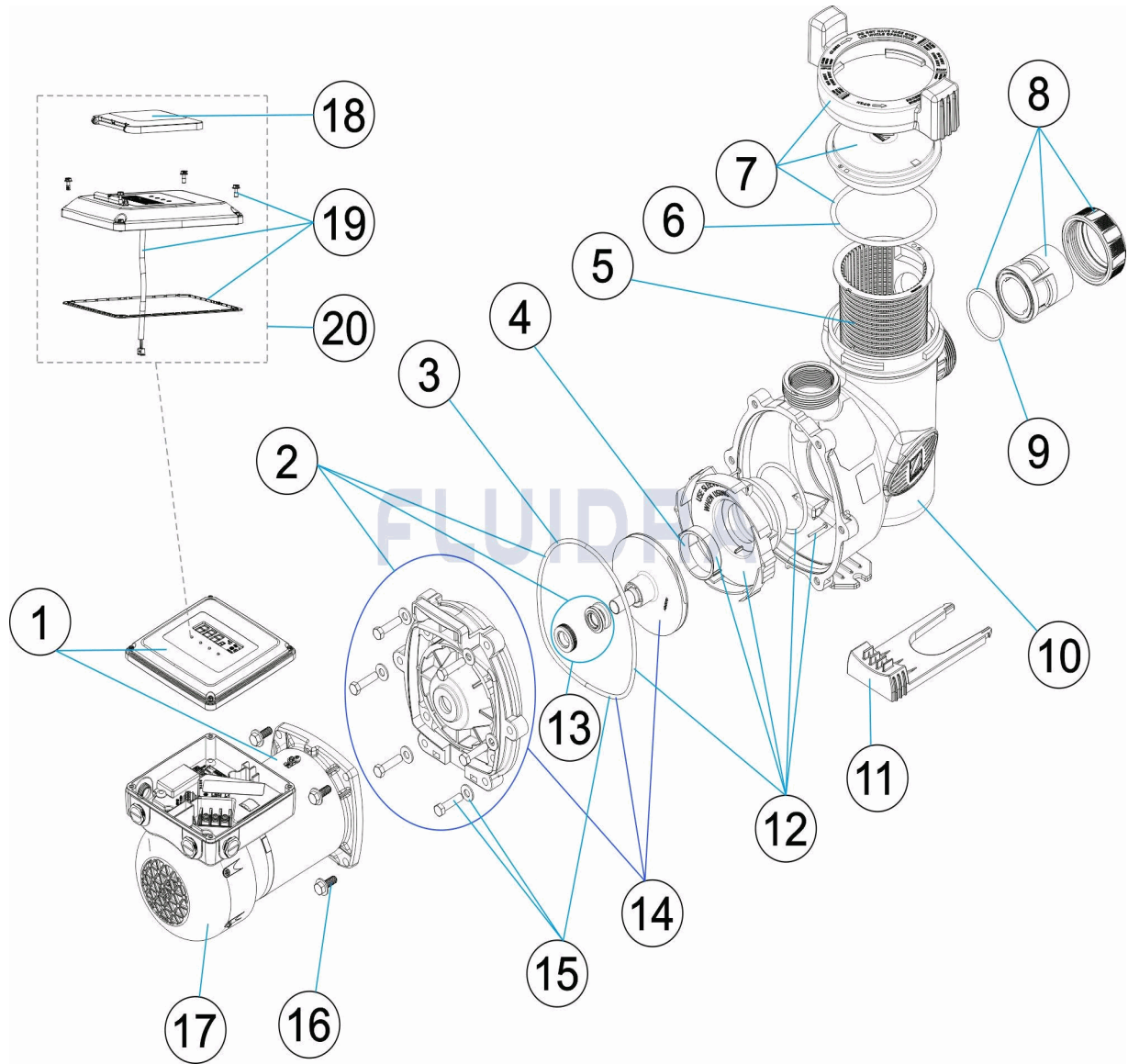
CODE **WP000221, WP000222**DESCRIPTION: **E30 IQ**

12	W0479700	DIFFUSEUR FHP (+ VIS & JOINTS)			
----	----------	--------------------------------	--	--	--

CODE **WP000221, WP000222**DESCRIPTION: **E30 IQ****OBSERVATIONS**

POS	CODE	OBSERVATIONS
1	* R1009000	POUR: WP000221
1	* R1009001	POUR: WP000222
8	* R0728700	POUR: METRIC
8	* R0792700	POUR: IMPERIAL
14	* R1008700	POUR: WP000221
14	* R1008701	POUR: WP000222

CODE **WP000221, WP000222**

 DESCRIPTION: **E30 IQ**

ENGLISH

POS	CODE	DESCRIPTION	QUANTITY	POS	CODE	DESCRIPTION	QUANTITY
1	* R1009000	MOTOR & HARDWARE, E30 IQ		13	R0728500	MECHANICAL SEAL FHP (SET)	
1	* R1009001	MOTOR & HARDWARE, E30 IQ		14	* R1008700	E30 IQ IMPELLER	
2	R0479501	BACKPLATE KIT FHP (WITH HARDWARE, C		14	* R1008701	E30 IQ IMPELLER	
3	R0480301	BACKPLATE ORING FHP		15	R0480501	BACKPLATE HARDWARE (BOLTS, WASHER	
4	R0746800	FHP SLIP RING		16	R0446702	MOTOR BOLTS & WASHERS	
5	R0480101	FILTER BASKET FHP		17	4405011337	FAN COVER ASSEMBLY	
6	R0480201	LID ORING		18	4405011334	CONTROLLER COVER	
7	R0480001	LID FHP (WITH LOCKING RING & ORING)		19	4405011336	GASKET+SCREWS+CONTROLLER CABLE	
8	* R0728700	63/50MM UNION TAILPIECE KIT (X2)		20	4405011312	HMI CONTROLLER	
8	* R0792700	2" UK UNION TAILPIECE KIT (X2, WITHOUT		-	71840	2"-1.5" THREADED REDUCER FOR RETROF	
9	R0728800	TAILPIECE ORING KIT (X2)		-	R0446001	DRAIN PLUG WITH ORING (SET OF 2)	
10	R1008900	PUMP BODY		-	R0486701	SMALL PUMP BASE	
11	R0479901	MOTOR MOUNTING FOOT FHP 100M, 150N		-	R0546401	LARGE PUMP BASE	

* SEE OBSERVATIONS SHEET



PARTS BREAKDOWN

REV.: 1
DATE: 02/08/2024
SHEET: 2/3

10124

CODE **WP000221, WP000222**

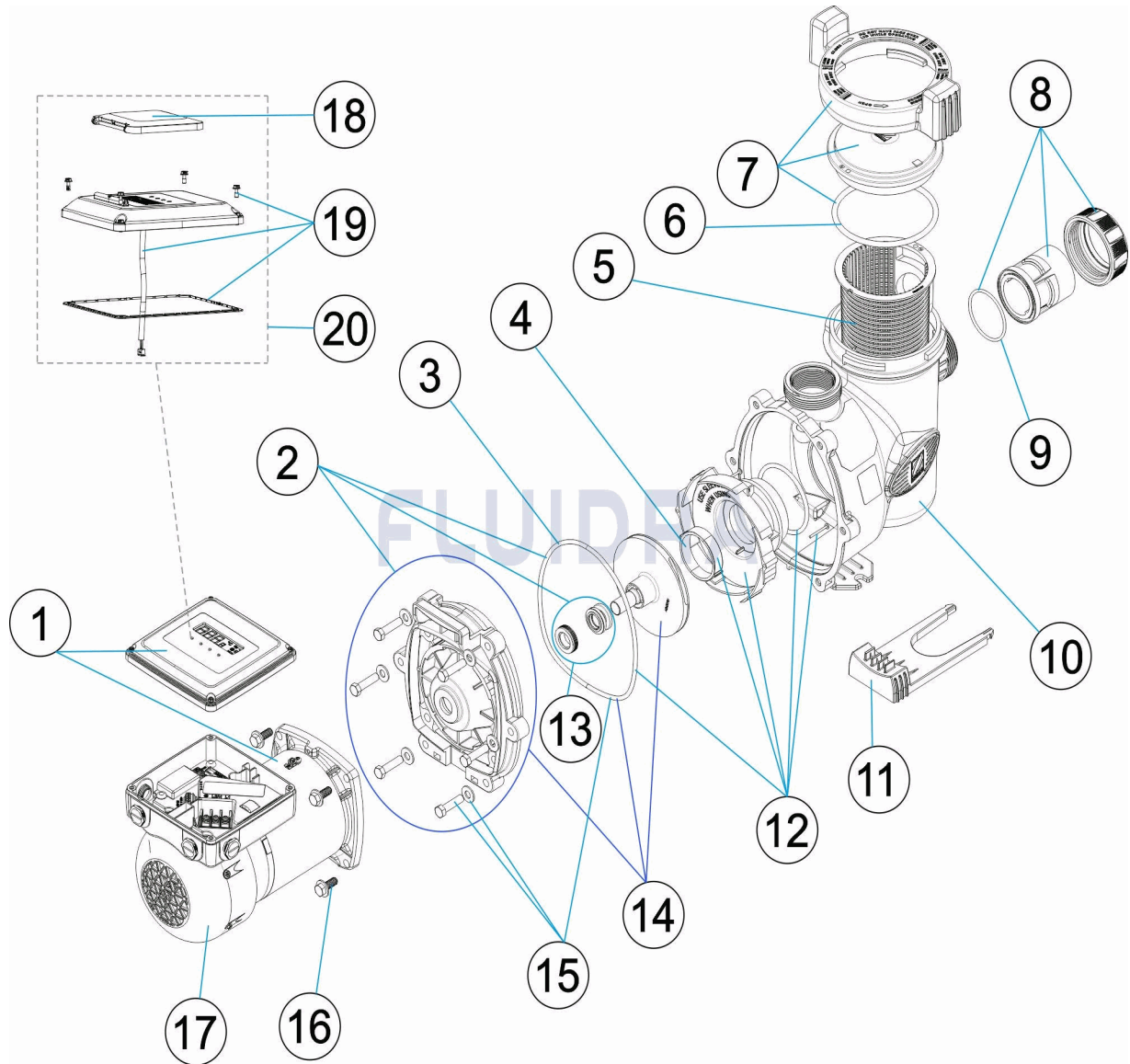
DESCRIPTION: **E30 IQ**

12	W0479700	DIFFUSER FHP (WITH ORING, HARDWARE)			
----	----------	-------------------------------------	--	--	--

CODE **WP000221, WP000222**DESCRIPTION: **E30 IQ****OBSERVATIONS**

POS	CODE	OBSERVATIONS
1	* R1009000	FOR: WP000221
1	* R1009001	FOR: WP000222
8	* R0728700	FOR: METRIC
8	* R0792700	FOR: IMPERIAL
14	* R1008700	FOR: WP000221
14	* R1008701	FOR: WP000222

CODICE **WP000221, WP000222**

 DESCRIZIONE: **E30 IQ**

ITALIANO

POS	CODICE	DESCRIZIONE	QUANTITA'	POS	CODICE	DESCRIZIONE	QUANTITA'
1	* R1009000	MOTOR & HARDWARE, E30 IQ		13	R0728500	TENUTA MECCANICA FLOPRO	
1	* R1009001	MOTOR & HARDWARE, E30 IQ		14	* R1008700	GIRANTE E30 IQ	
2	R0479501	BACKPLATE (BACKPLATE W/ HARDWARE,		14	* R1008701	GIRANTE E30 IQ	
3	R0480301	ANELLO PIASTRA INFERIORE FLOPR		15	R0480501	VITI PIASTRA INFERIORE FLOPRO	
4	R0746800	ANELLO GIRANTE FLOPRO		16	R0446702	VITI MOTORE FLOPRO	
5	R0480101	CESTELLO PREFILTRO FLOPRO E3/T		17	4405011337	KIT VENTOLA-COPRIVENTOLA	
6	R0480201	ANELLO COPERCHIO PREFILTRO		18	4405011334	COPERTURA DEL CONTROLLER	
7	R0480001	KIT COPERCHIO PREFILTRO FLOPRO		19	4405011336	GUARNIZIONE+VITI+CAVO CONTROLLER	
8	* R0728700	KIT RACCORDI 63/50 MM (*2)		20	4405011312	CONTROLLER HMI	
8	* R0792700	KIT RACCORDI COLLEGAMENTO 2" (X2, SÌ		-	71840	2 "-1,5" RIDUTTORE FILETTATO PER RETRC	
9	R0728800	KIT OR BOCCHETTONE (*2)		-	R0446001	KIT SPINE DI SVUOTAMENTO (*2)	
10	R1008900	CORPO POMPA		-	R0486701	BASE BASSA POMPA	
11	R0479901	PIEDE POMPA FLOPRO E3		-	R0546401	BASE ALTA POMPA	

* SI FACCIA RIFERIMENTO AL FOGLIO DELLE OSSERVAZIONI

CODICE **WP000221, WP000222**DESCRIZIONE: **E30 IQ**

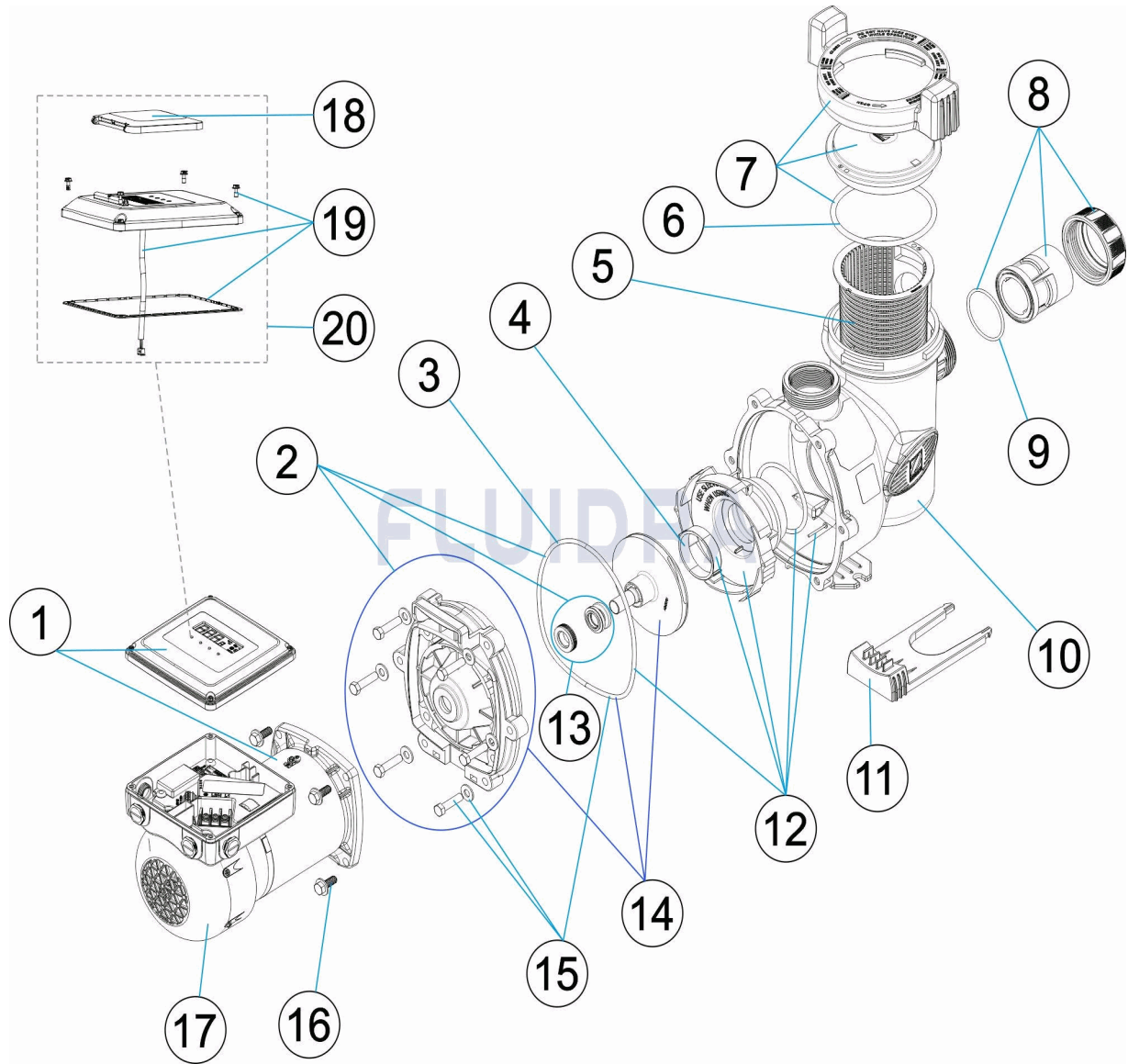
12	W0479700	KIT DIFFUSORE FLOPRO E3 100			
----	----------	-----------------------------	--	--	--

CODICE **WP000221, WP000222**DESCRIZIONE: **E30 IQ****OSSERVAZIONI**

POS	CODICE	OSSERVAZIONI
1	* R1009000	PER: WP000221
1	* R1009001	PER: WP000222
8	* R0728700	PER: METRIC
8	* R0792700	PER: IMPERIAL
14	* R1008700	PER: WP000221
14	* R1008701	PER: WP000222

CODE **WP000221, WP000222**

BESCHREIBUNG: **E30 IQ**



DEUTSCH

POS	CODE	BESCHREIBUNG	MENGE	POS	CODE	BESCHREIBUNG	MENGE
1	* R1009000	MOTOR & HARDWARE, E30 IQ		13	R0728500	GLEITRINGDICHTUNG FP	
1	* R1009001	MOTOR & HARDWARE, E30 IQ		14	* R1008700	E30 IQ-LAUFRAD	
2	R0479501	GEHÄUSEDECKELSET FP		14	* R1008701	E30 IQ-LAUFRAD	
3	R0480301	GEHÄUSEDICHTUNG FP		15	R0480501	SCHRAUBE+MUTTER+DICHTUNG FP	
4	R0746800	LAUFRADFÜHRUNGSRING FP		16	R0446702	SCHRAUBENSET+MUTTER FP	
5	R0480101	VORFILTERSIEB FP		17	4405011337	SET VENTILATOR - ABDECKUNG	
6	R0480201	VORFILTERDICHTUNG FP		18	4405011334	CONTROLLER-ABDECKUNG	
7	R0480001	DECKEL+DICHTUNG+RING FP		19	4405011336	DICHTUNG+SCHRAUBEN+CONTROLLERK/	
8	* R0728700	ANSCHLUSSKIT 63/50 FLOPRO		20	4405011312	DRIVER HMI	
8	* R0792700	2"-UK-VERSCHRAUBUNGSSATZ (X2, OHNE		-	71840	REDUZIERSTÜCK MIT GEWINDE 2"-1,5" ZUI	
9	R0728800	O-RING F. VERSCHRAUBUNG FP		-	R0446001	ABLASSSCHRAUBE M. O-RING FP	
10	R1008900	PUMPENKÖRPER		-	R0486701	SOCKEL FLACH FP	
11	R0479901	PUMPENFUß FP		-	R0546401	SOCKEL HOCH FP	

* SIEHE ANMERKUNGSBLATT

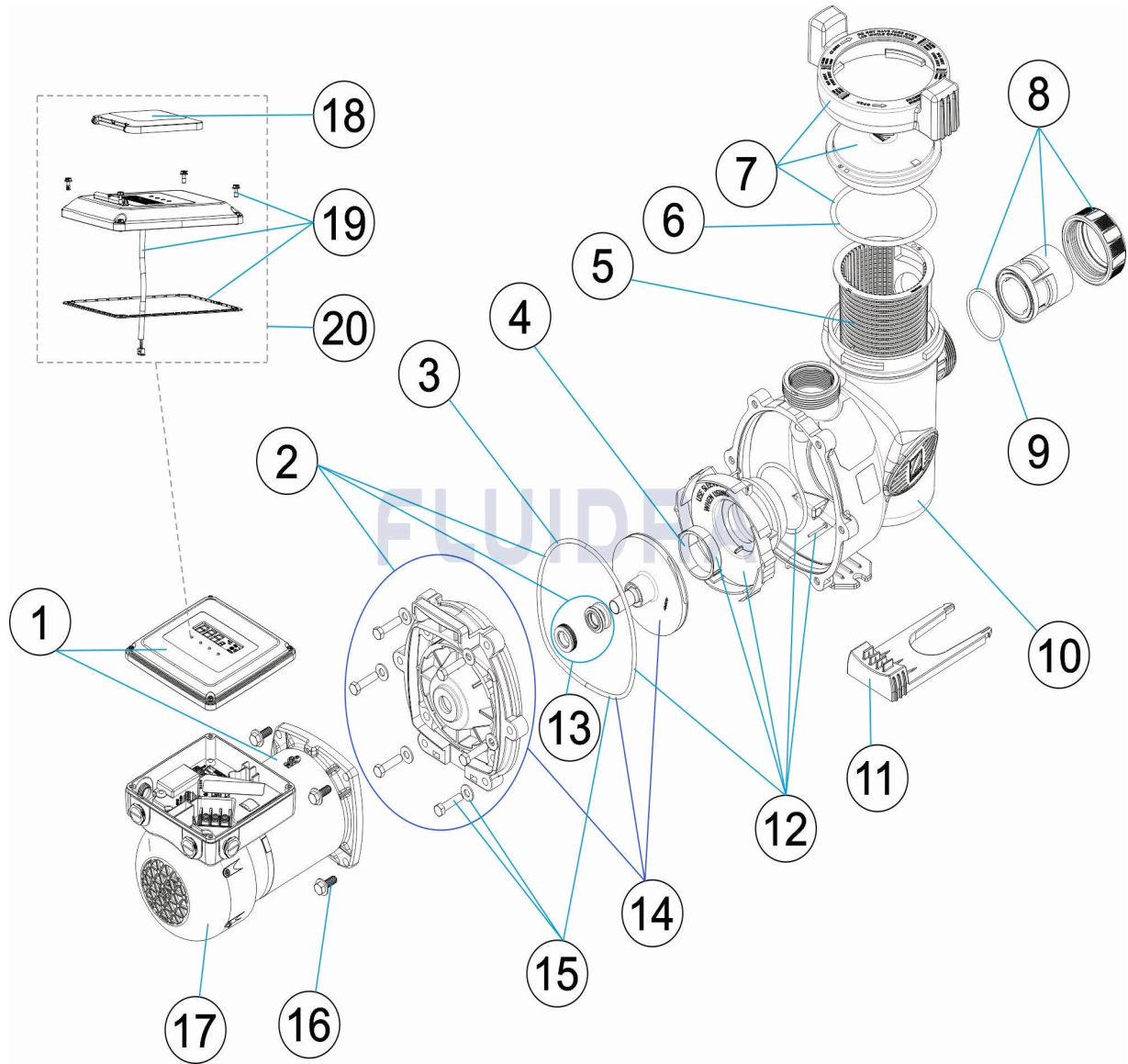
CODE **WP000221, WP000222**BESCHREIBUNG: **E30 IQ**

12	W0479700	UMKEHRLEITRAD U. DICHTUNG FP			
----	----------	------------------------------	--	--	--

CODE **WP000221, WP000222**BESCHREIBUNG: **E30 IQ****HINWEISE**

POS	CODE	HINWEISE
1	* R1009000	FÜR: WP000221
1	* R1009001	FÜR: WP000222
8	* R0728700	FÜR: METRIC
8	* R0792700	FÜR: IMPERIAL
14	* R1008700	FÜR: WP000221
14	* R1008701	FÜR: WP000222

CODIGO **WP000221, WP000222**

 DESCRIÇÃO: **E30 IQ**

PORTUGUES

POS	CODIGO	DESCRIÇÃO	JANTIDADE	POS	CODIGO	DESCRIÇÃO	JANTIDADE
1	* R1009000	MOTOR & HARDWARE, E30 IQ		13	R0728500	SELO MECANICO	
1	* R1009001	MOTOR & HARDWARE, E30 IQ		14	* R1008700	IMPULSOR E30 IQ	
2	R0479501	KIT PLACA TRASEIRA FLOPRO		14	* R1008701	IMPULSOR E30 IQ	
3	R0480301	BACKPLATE O-RING		15	R0480501	BACKPLATE HARDWARE (BACKPLATE HAR	
4	R0746800	FLOPRO ANEL TURBINA		16	R0446702	MOTOR HARDWARE KIT	
5	R0480101	CESTO PREFILTRO FLOPRO		17	4405011337	CONJUNTO VENTILLADOR-TAMPA	
6	R0480201	LID O-RING		18	4405011334	CONTROLLER COVER	
7	R0480001	KIT TAMPA PREFILTRO FHP+JUNTA		19	4405011336	JUNTA+PARAFUSOS+CABO DO CONTROL	
8	* R0728700	KIT RACORS UNIÃO DN63/50 MM(2)		20	4405011312	CONTROLADOR HMI	
8	* R0792700	KIT DE LIGAÇÃO ROSCADA DE 2" (X2, SEM		-	71840	2"-1,5" REDUTOR ROSCADO PARA RETROF	
9	R0728800	KIT JUNTAS UNIAO (X2)		-	R0446001	DRAIN PLUG W/ O-RING (SET OF 2)	
10	R1008900	CORPO DA BOMBA		-	R0486701	BASE BOMBA BAIXA	
11	R0479901	MOTOR MOUNTING FOOT FLOPRO		-	R0546401	BASE BOMBA ALTA	

* VEJA A FICHA DE OBSERVAÇÕES

CODIGO **WP000221, WP000222**DESCRIÇÃO: **E30 IQ**

12	W0479700	FLOPRO DIFUSOR			
----	----------	----------------	--	--	--

CODIGO **WP000221, WP000222**DESCRIÇÃO: **E30 IQ****OBSERVAÇÕES**

POS	CODIGO	OBSERVAÇÕES
1	* R1009000	PARA: WP000221
1	* R1009001	PARA: WP000222
8	* R0728700	PARA: METRIC
8	* R0792700	PARA: IMPERIAL
14	* R1008700	PARA: WP000221
14	* R1008701	PARA: WP000222