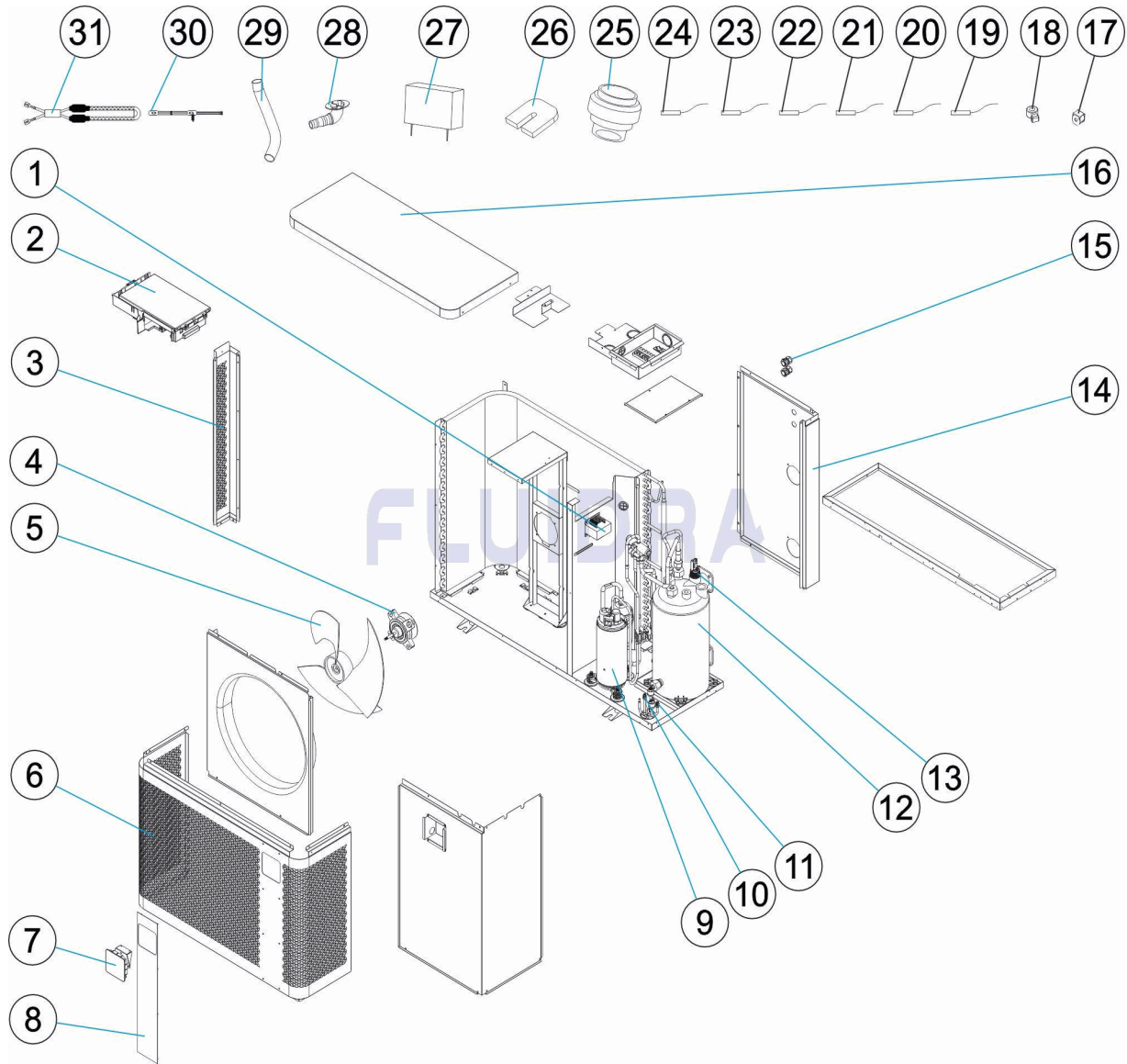


CODIGO WH000611, WH000612, WH000615, WH000616

DESCRIPCION: BOMBA DE CALOR MD 6 - 8


**ESPAÑOL**

POS	CODIGO	DESCRIPCION	CANTIDAD	POS	CODIGO	DESCRIPCION	CANTIDAD
1	75339R0016	REACTOR		12	* 75311R0110	INTERCAMBIADOR DE TITANIO	
2	* 75311R0111A	PLACA BASE PCB		12	* 75311R0112	INTERCAMBIADOR DE TITANIO	
2	* 75311R0111B	PLACA BASE PCB		13	75336R0005	FLUJOSTATO	
3	* 75311R0127	COLUMNA SOPORTE TRASERO		14	* 75311R0128	PANEL TRASERO	
3	* 75311R0097	COLUMNA SOPORTE TRASERO		14	* 75311R0109	PANEL TRASERO	
4	75340R0015	MOTOR VENTILADOR		15	75311R0108	PRENSAESTOPAS PARA CABLE	
5	75340R0014	ASPAS VENTILADOR		16	* 75311R0124	TAPA SUPERIOR	
6	* 75311R0126	PANEL FRONTAL		16	* 75311R0089	TAPA SUPERIOR	
6	* 75311R0096	PANEL FRONTAL		17	75311R0099	VALVULA DE 4 VIAS	
7	75311R0104	CONTROLADOR		18	75336R0025	BOBINA EEV	
8	75311R0095	PANEL DECORATIVO RAL 9006		19	75336R0037	SENSOR TEMPERATURA SUCCIÓN GAS	
9	* 75311R0106	COMPRESOR		20	75336R0026	SENSOR TEMPERATURA SORTIDA AIGUA	
9	* 75311R0113	COMPRESOR		21	75311R0100	SENSOR DE TEMP DEL AGUA DE ENTRADA	

\* NOTA OBSERVACIONES

CODIGO **WH000611, WH000612, WH000615, WH000616**DESCRIPCION: **BOMBA DE CALOR MD 6 - 8**

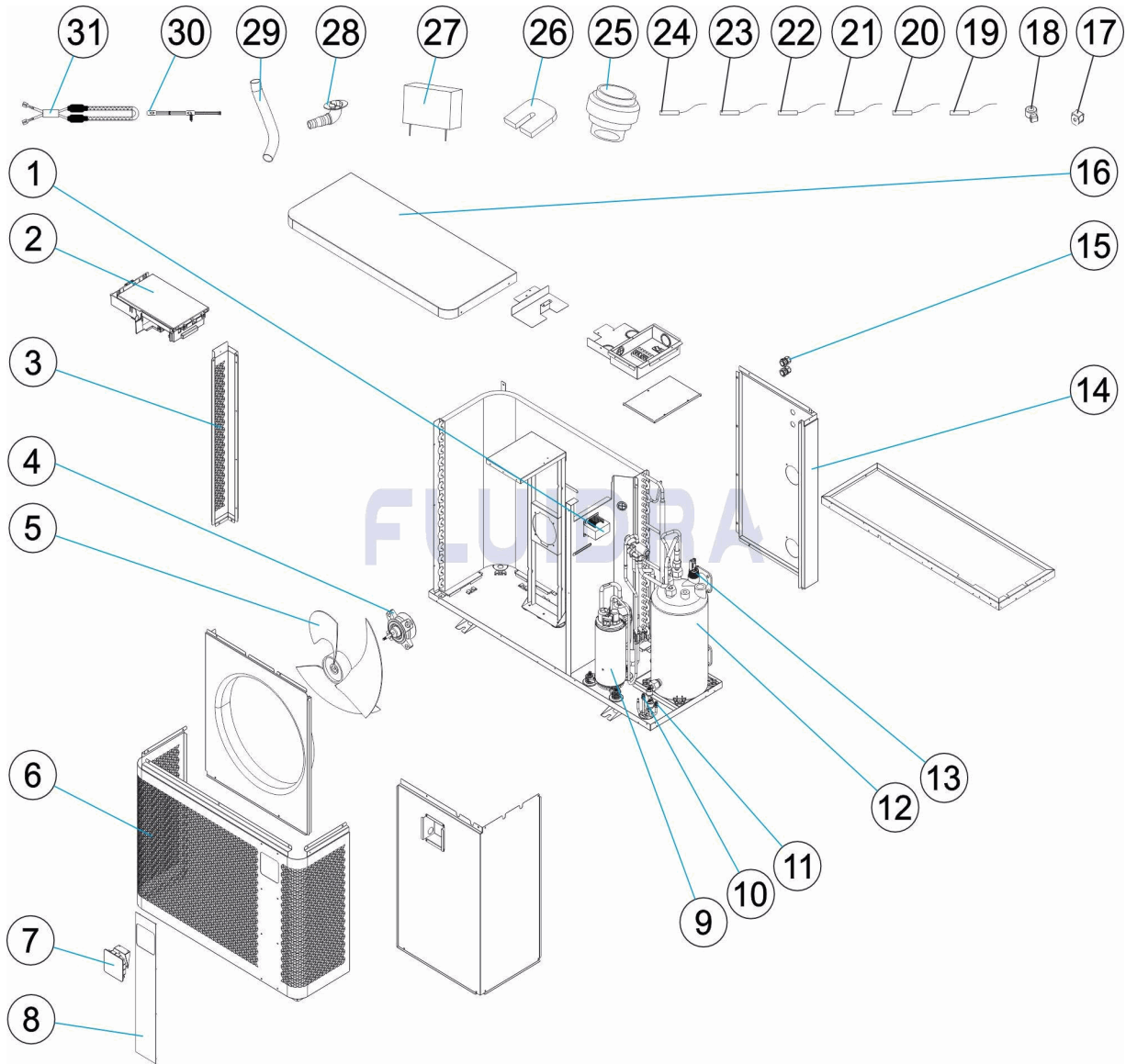
10	75311R0093	DETECTOR DE PRESIÓN BAJA	22	75336R0029	SENSOR TEMPERATURA AMBIENTE
11	75311R0092	DETECTOR DE PRESIÓN ALTA	23	75336R0030	SENSOR TEMPERATURA EVAPORADOR
24	75336R0031	SENSOR TEMPERATURA DESCARGA GAS	29	75311R0033	MANGUERA DE DRENAJE
25	75311R0032	KIT DE CONEXIÓN AGUA	30	* 75311R0107	BANDA CALEFACTORA DEL COMPRESOR
26	75311R0035	PIES ANTIVIBRATORIOS	30	* 75311R0114	BANDA CALEFACTORA DEL COMPRESOR
27	75311R0101	CUBIERTA DE INVIERNO	31	75311R0103	BANDA CALEFACTORA DEL CHASIS
28	75311R0034	BOQUILLA DE AGUA			

CODIGO **WH000611, WH000612, WH000615, WH000616**DESCRIPCION: **BOMBA DE CALOR MD 6 - 8****OBSERVACIONES**

POS	CODIGO	OBSERVACIONES
2	* 75311R0111A	PARA: WH000611, WH000615
2	* 75311R0111B	PARA: WH000612
3	* 75311R0127	PARA: WH000611, WH000612
3	* 75311R0097	PARA: WH000615, WH000616
6	* 75311R0126	PARA: WH000611, WH000612
6	* 75311R0096	PARA: WH000615, WH000616
9	* 75311R0106	PARA: WH000611, WH000615
9	* 75311R0113	PARA: WH000612, WH000616
12	* 75311R0110	PARA: WH000611, WH000615
12	* 75311R0112	PARA: WH000612, WH000616
14	* 75311R0128	PARA: WH000611, WH000612
14	* 75311R0109	PARA: WH000615, WH000616
16	* 75311R0124	PARA: WH000611, WH000612
16	* 75311R0089	PARA: WH000615, WH000616
30	* 75311R0107	PARA: WH000611, WH000615
30	* 75311R0114	PARA: WH000612, WH000616

CODE WH000611, WH000612, WH000615, WH000616

DESCRIPTION: POMPE À CHALEUR MD 6 - 8


**FRANCAIS**

POS	CODE	DESCRIPTION	QUANTITE	POS	CODE	DESCRIPTION	QUANTITE
1	75339R0016	RÉACTEUR		12	* 75311R0110	ÉCHANGEUR EN TITANE	
2	* 75311R0111A	PLAQUE BASE PCB		12	* 75311R0112	ÉCHANGEUR EN TITANE	
2	* 75311R0111B	PLAQUE BASE PCB		13	75336R0005	CONTROLEUR DE DEBIT	
3	* 75311R0127	COLONNE DE SUPPORT DORSAL		14	* 75311R0128	PANNEAU ARRIÈRE	
3	* 75311R0097	COLONNE DE SUPPORT DORSAL		14	* 75311R0109	PANNEAU ARRIÈRE	
4	75340R0015	MOTEUR VENTILATEUR		15	75311R0108	PRESSE-ÉTOUPE POUR CÂBLE	
5	75340R0014	PALES VENTILATEUR		16	* 75311R0124	COUVERCLE SUPÉRIEUR	
6	* 75311R0126	PANNEAU AVANT		16	* 75311R0089	COUVERCLE SUPÉRIEUR	
6	* 75311R0096	PANNEAU AVANT		17	75311R0099	4-WAY VALVE	
7	75311R0104	CONTRÔLEUR		18	75336R0025	BOBINE EEV	
8	75311R0095	PANNEAU DÉCORATIF RAL 9006		19	75336R0037	CAPTEUR TEMPÉRATURE ASPIRATION GA	
9	* 75311R0106	COMPRESSEUR		20	75336R0026	CAPTEUR TEMPÉRATURE EAU SORTIE	
9	* 75311R0113	COMPRESSEUR		21	75311R0100	CAPTEUR DE TEMPÉRATURE D'EAU D'ENT	

\* VOIR FICHE D'OBSERVATIONS

CODE **WH000611, WH000612, WH000615, WH000616**DESCRIPTION: **POMPE À CHALEUR MD 6 - 8**

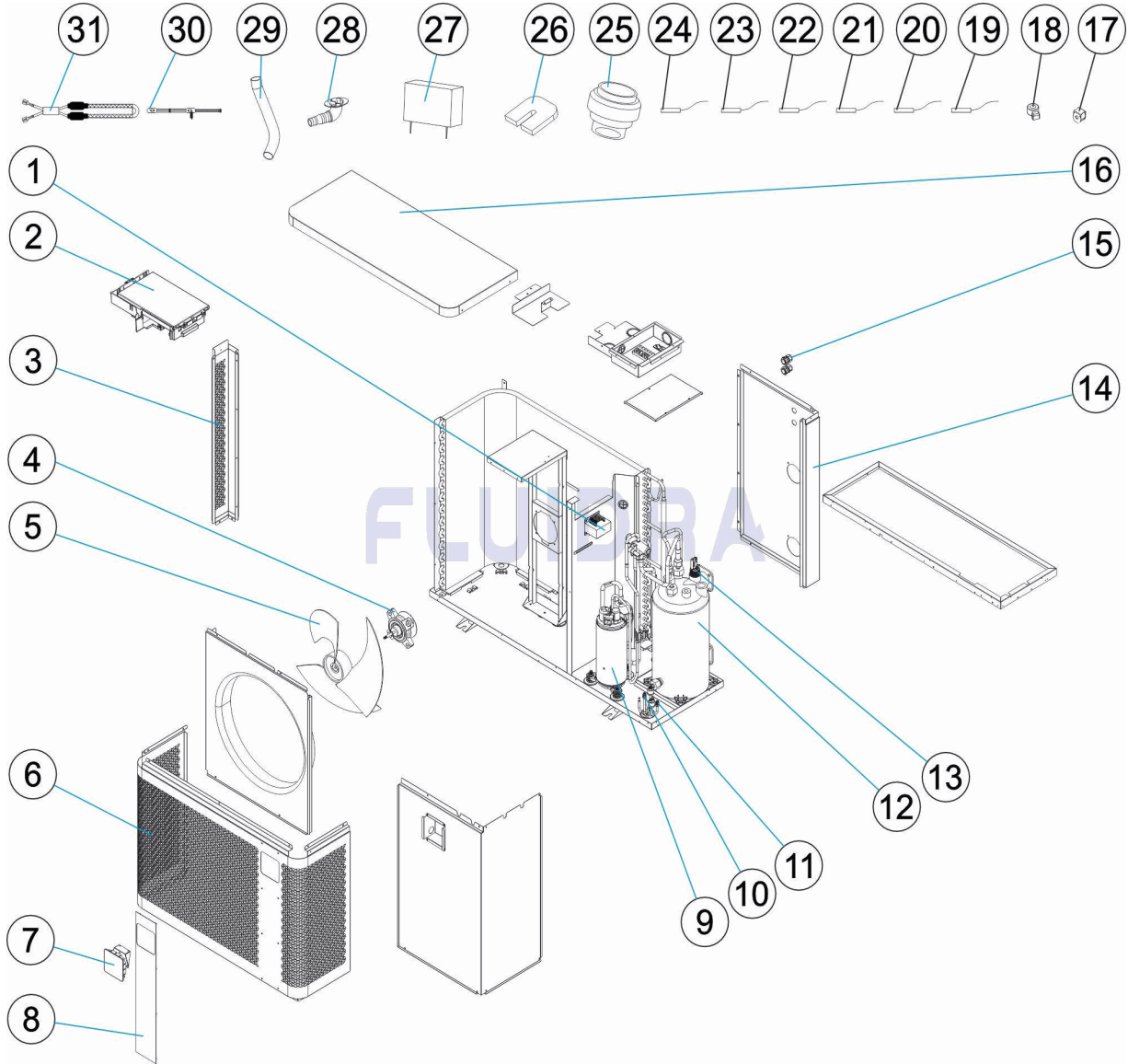
10	75311R0093	DÉTECTEUR BASSE PRESSION	22	75336R0029	CAPTEUR TEMPÉRATURE AMBIANT
11	75311R0092	DÉTECTEUR HAUTE PRESSION	23	75336R0030	CAPTEUR TEMPÉRATURE ÉVAPORATEUR
24	75336R0031	CAPTEUR TEMPÉRATURE DÉCHARGE GA	29	75311R0033	TUYAU DE DRAINAGE
25	75311R0032	ENSEMBLES CONNEXION D'EAU	30	* 75311R0107	BANDE CHAUFFANTE POUR COMPRESSEL
26	75311R0035	PIEDS ANTI-VIBRATION	30	* 75311R0114	BANDE CHAUFFANTE POUR COMPRESSEL
27	75311R0101	COUVERTURE D'HIVERNAGE	31	75311R0103	BANDE CHAUFFANTE CHÂSSIS
28	75311R0034	BUSE D'EAU			

CODE **WH000611, WH000612, WH000615, WH000616**DESCRIPTION: **POMPE À CHALEUR MD 6 - 8****OBSERVATIONS**

POS	CODE	OBSERVATIONS
2	* 75311R0111A	POUR: WH000611, WH000615
2	* 75311R0111B	POUR: WH000612
3	* 75311R0127	POUR: WH000611, WH000612
3	* 75311R0097	POUR: WH000615, WH000616
6	* 75311R0126	POUR: WH000611, WH000612
6	* 75311R0096	POUR: WH000615, WH000616
9	* 75311R0106	POUR: WH000611, WH000615
9	* 75311R0113	POUR: WH000612, WH000616
12	* 75311R0110	POUR: WH000611, WH000615
12	* 75311R0112	POUR: WH000612, WH000616
14	* 75311R0128	POUR: WH000611, WH000612
14	* 75311R0109	POUR: WH000615, WH000616
16	* 75311R0124	POUR: WH000611, WH000612
16	* 75311R0089	POUR: WH000615, WH000616
30	* 75311R0107	POUR: WH000611, WH000615
30	* 75311R0114	POUR: WH000612, WH000616

CODE WH000611, WH000612, WH000615, WH000616

DESCRIPTION: HEAT PUMP MD 6 - 8


**ENGLISH**

POS	CODE	DESCRIPTION	QUANTITY	POS	CODE	DESCRIPTION	QUANTITY
1	75339R0016	REACTOR		12	* 75311R0110	TITANIUM HEAT EXCHANGER	
2	* 75311R0111A	MAIN PCB		12	* 75311R0112	TITANIUM HEAT EXCHANGER	
2	* 75311R0111B	MAIN PCB		13	75336R0005	WATER FLOW SWITCH	
3	* 75311R0127	BACK SUPPORT COLUMN		14	* 75311R0128	BACK PANEL	
3	* 75311R0097	BACK SUPPORT COLUMN		14	* 75311R0109	BACK PANEL	
4	75340R0015	FAN MOTOR		15	75311R0108	CABLE GLANDS	
5	75340R0014	FAN BLADE		16	* 75311R0124	TOP CAP	
6	* 75311R0126	FRONT PANEL		16	* 75311R0089	TOP CAP	
6	* 75311R0096	FRONT PANEL		17	75311R0099	4-WAY VALVE COIL	
7	75311R0104	CONTROLLER		18	75336R0025	EEV COIL	
8	75311R0095	DECORATIVE PANEL RAL 9006		19	75336R0037	GAS SUCTION TEMPERATURE SENSOR	
9	* 75311R0106	COMPRESSOR		20	75336R0026	WATER OUTLET TEMPERATURE SENSOR	
9	* 75311R0113	COMPRESSOR		21	75311R0100	INLET WATER TEMP. SENSOR	

\* SEE OBSERVATIONS SHEET

CODE **WH000611, WH000612, WH000615, WH000616**DESCRIPTION: **HEAT PUMP MD 6 - 8**

10	75311R0093	LOW PRESSURE SWITCH	22	75336R0029	AMBIENT TEMPERATURE SENSOR
11	75311R0092	HIGH PRESSURE SWITCH	23	75336R0030	WATER INLET TEMPERATURE EVAPORATO
24	75336R0031	GAS DISCHARGE TEMPERATURE SENSO	29	75311R0033	DRAIN HOSE
25	75311R0032	WATER CONNECTION SETS	30	* 75311R0107	COMPRESSOR HEATER BAND
26	75311R0035	ANTI-VIBRATION FEET	30	* 75311R0114	COMPRESSOR HEATER BAND
27	75311R0101	WINTER COVER	31	75311R0103	CHASSIS HEATER BAND
28	75311R0034	WATER NOZZLE			



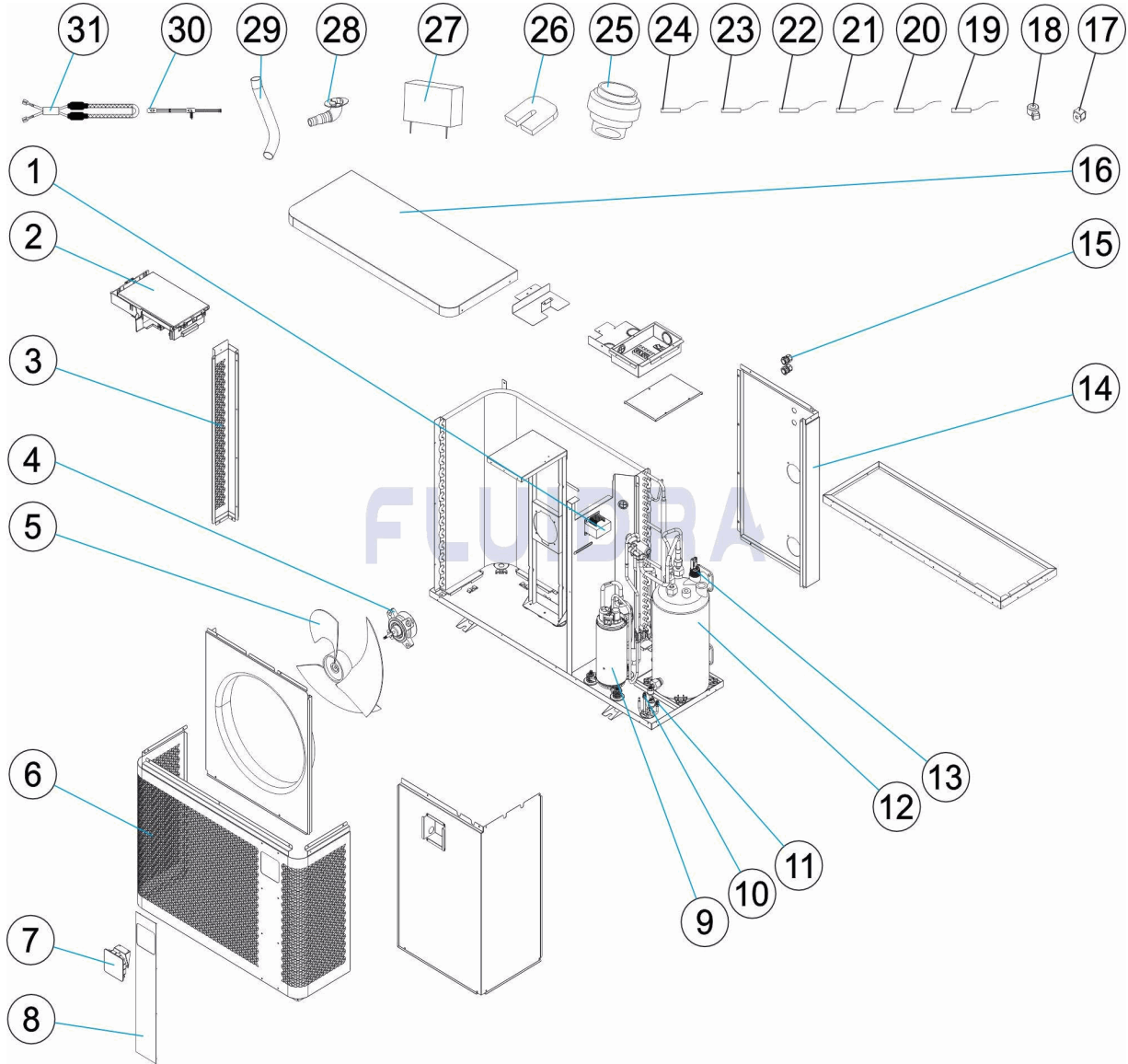
CODE **WH000611, WH000612, WH000615, WH000616**DESCRIPTION: **HEAT PUMP MD 6 - 8**

### OBSERVATIONS

POS	CODE	OBSERVATIONS
2	* 75311R0111A	FOR: WH000611, WH000615
2	* 75311R0111B	FOR: WH000612
3	* 75311R0127	FOR: WH000611, WH000612
3	* 75311R0097	FOR: WH000615, WH000616
6	* 75311R0126	FOR: WH000611, WH000612
6	* 75311R0096	FOR: WH000615, WH000616
9	* 75311R0106	FOR: WH000611, WH000615
9	* 75311R0113	FOR: WH000612, WH000616
12	* 75311R0110	FOR: WH000611, WH000615
12	* 75311R0112	FOR: WH000612, WH000616
14	* 75311R0128	FOR: WH000611, WH000612
14	* 75311R0109	FOR: WH000615, WH000616
16	* 75311R0124	FOR: WH000611, WH000612
16	* 75311R0089	FOR: WH000615, WH000616
30	* 75311R0107	FOR: WH000611, WH000615
30	* 75311R0114	FOR: WH000612, WH000616

CODICE WH000611, WH000612, WH000615, WH000616

DESCRIZIONE: POMPA DI CALORE MD 6 - 8


**ITALIANO**

POS	CODICE	DESCRIZIONE	QUANTITA'	POS	CODICE	DESCRIZIONE	QUANTITA'
1	75339R0016	REATTORE		12	* 75311R0110	INTERCAMBIATORE IN TITANIO	
2	* 75311R0111A	SCHEDA BASE PCB		12	* 75311R0112	INTERCAMBIATORE IN TITANIO	
2	* 75311R0111B	SCHEDA BASE PCB		13	75336R0005	FLUSSOSTATO	
3	* 75311R0127	COLONNA DI SOSTEGNO DELLO SCHIENA		14	* 75311R0128	PANNELLO INDIETRO	
3	* 75311R0097	COLONNA DI SOSTEGNO DELLO SCHIENA		14	* 75311R0109	PANNELLO INDIETRO	
4	75340R0015	MOTORE VENTOLA		15	75311R0108	PREMISTOPPA	
5	75340R0014	PALE VENTILATORE		16	* 75311R0124	COPERCHIO SUPERIORE	
6	* 75311R0126	PANNELLO FRONTALE		16	* 75311R0089	COPERCHIO SUPERIORE	
6	* 75311R0096	PANNELLO FRONTALE		17	75311R0099	VALVOLA A 4 VIE	
7	75311R0104	CONTROLADOR		18	75336R0025	BOBINA EEV	
8	75311R0095	PANNELLO DECORATIVO RAL 9006		19	75336R0037	SENSORE TEMPERATURA ASPIRAZIONE G	
9	* 75311R0106	COMPRESSORE		20	75336R0026	SENSORE TEMPERATURA USCITA ACQUA	
9	* 75311R0113	COMPRESSORE		21	75311R0100	SENSORE TEMPERATURA ACQUA IN INGR	

\* SI FACCIA RIFERIMENTO AL FOGLIO DELLE OSSERVAZIONI

CODICE **WH000611, WH000612, WH000615, WH000616**DESCRIZIONE: **POMPA DI CALORE MD 6 - 8**

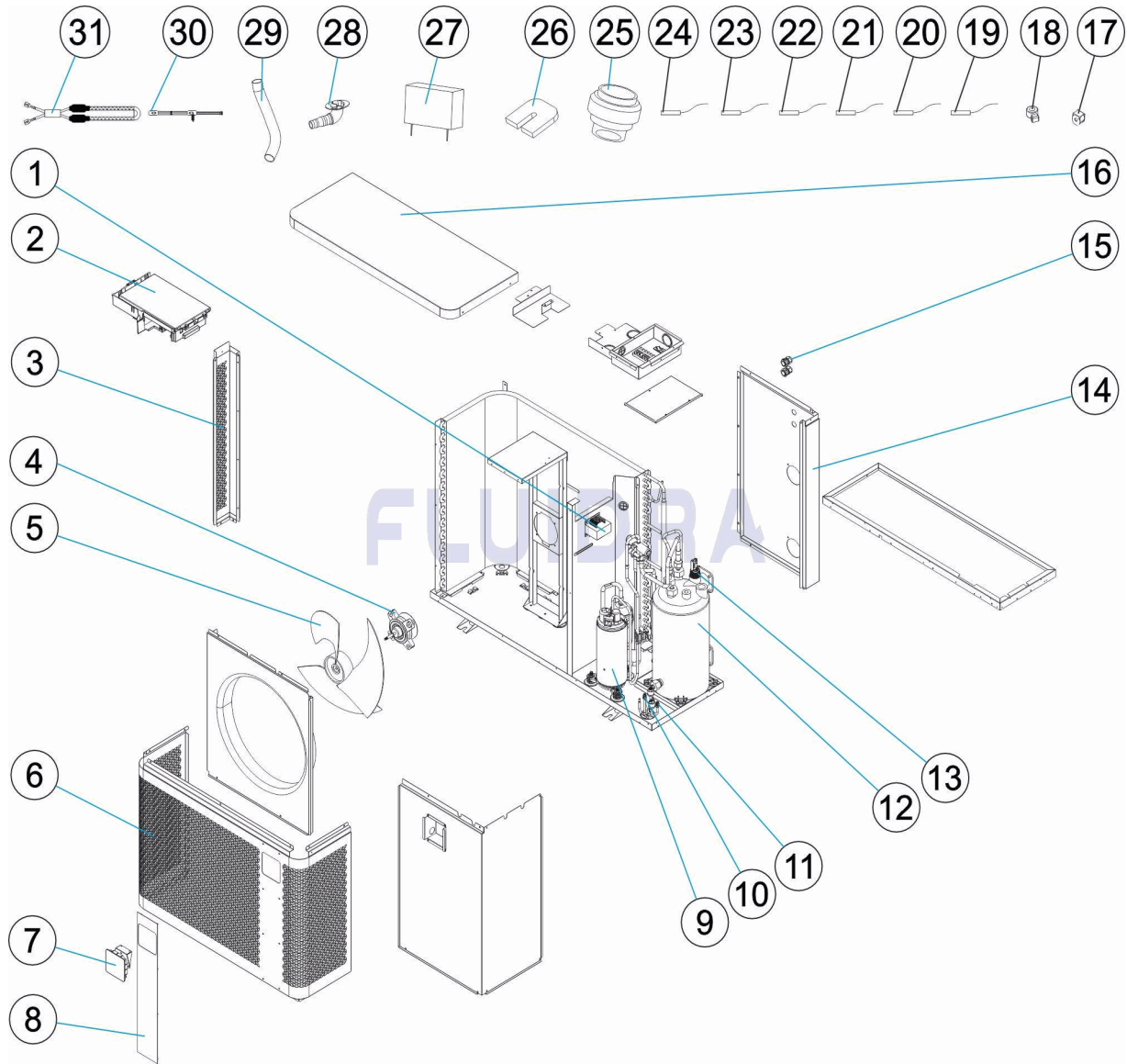
10	75311R0093	RIVELATORE BASSO PRESSIONE	22	75336R0029	SENSORE TEMPERATURA AMBIENTE
11	75311R0092	RILEVATORE DI ALTA PRESSIONE	23	75336R0030	SENSORE TEMPERATURA EVAPORATORE
24	75336R0031	SENSORE TEMPERATURA SCARICO GAS	29	75311R0033	TUBO DI SCARICO
25	75311R0032	SET CONNESSIONE DELL'ACQUA	30	* 75311R0107	FASCIA RISCALDANTE DEL COMPRESSORI
26	75311R0035	PIEDINI ANTIVIBRAZIONE	30	* 75311R0114	FASCIA RISCALDANTE DEL COMPRESSORI
27	75311R0101	COPERTA DI INVERNO	31	75311R0103	FASCIA RISCALDANTE DEL TELAIO
28	75311R0034	UGELLO DELL'ACQUA			

CODICE **WH000611, WH000612, WH000615, WH000616**DESCRIZIONE: **POMPA DI CALORE MD 6 - 8****OSSERVAZIONI**

POS	CODICE	OSSERVAZIONI
2	* 75311R0111A	PER: WH000611, WH000615
2	* 75311R0111B	PER: WH000612
3	* 75311R0127	PER: WH000611, WH000612
3	* 75311R0097	PER: WH000615, WH000616
6	* 75311R0126	PER: WH000611, WH000612
6	* 75311R0096	PER: WH000615, WH000616
9	* 75311R0106	PER: WH000611, WH000615
9	* 75311R0113	PER: WH000612, WH000616
12	* 75311R0110	PER: WH000611, WH000615
12	* 75311R0112	PER: WH000612, WH000616
14	* 75311R0128	PER: WH000611, WH000612
14	* 75311R0109	PER: WH000615, WH000616
16	* 75311R0124	PER: WH000611, WH000612
16	* 75311R0089	PER: WH000615, WH000616
30	* 75311R0107	PER: WH000611, WH000615
30	* 75311R0114	PER: WH000612, WH000616

CODE WH000611, WH000612, WH000615, WH000616

BESCHREIBUNG: WÄRMEPUMPE MD 6 - 8


**DEUTSCH**

POS	CODE	BESCHREIBUNG	MENGE	POS	CODE	BESCHREIBUNG	MENGE
1	75339R0016	REAKTOR		12	* 75311R0110	WÄRMEÜBERTRAGER TITANIUM	
2	* 75311R0111A	BASISPLATTE PCB		12	* 75311R0112	WÄRMEÜBERTRAGER TITANIUM	
2	* 75311R0111B	BASISPLATTE PCB		13	75336R0005	DURCHFLUSSMESSER	
3	* 75311R0127	HINTERE SÄULENSTÜTZE		14	* 75311R0128	FÜHRERHAUSRÜCKWAND	
3	* 75311R0097	HINTERE SÄULENSTÜTZE		14	* 75311R0109	FÜHRERHAUSRÜCKWAND	
4	75340R0015	LÜFTERMOTOR		15	75311R0108	KABELEINFÜHRUNG	
5	75340R0014	ROTORBLÄTTER VENTILATOR		16	* 75311R0124	ABDECKUNG OBEN	
6	* 75311R0126	FRONTPLATTE		16	* 75311R0089	ABDECKUNG OBEN	
6	* 75311R0096	FRONTPLATTE		17	75311R0099	4-WEGE-VENTIL	
7	75311R0104	STEUERUNG		18	75336R0025	SPULE EEV	
8	75311R0095	DEKORPLATTE RAL 9006		19	75336R0037	GASANSAUG TEMPERATURFÜHLER	
9	* 75311R0106	KOMPRESSOR		20	75336R0026	WASSERABFLUSS TEMPERATURFÜHLER	
9	* 75311R0113	KOMPRESSOR		21	75311R0100	EINLASSWASSERTEMPERATURSENSOR	

\* SIEHE ANMERKUGSBLATT

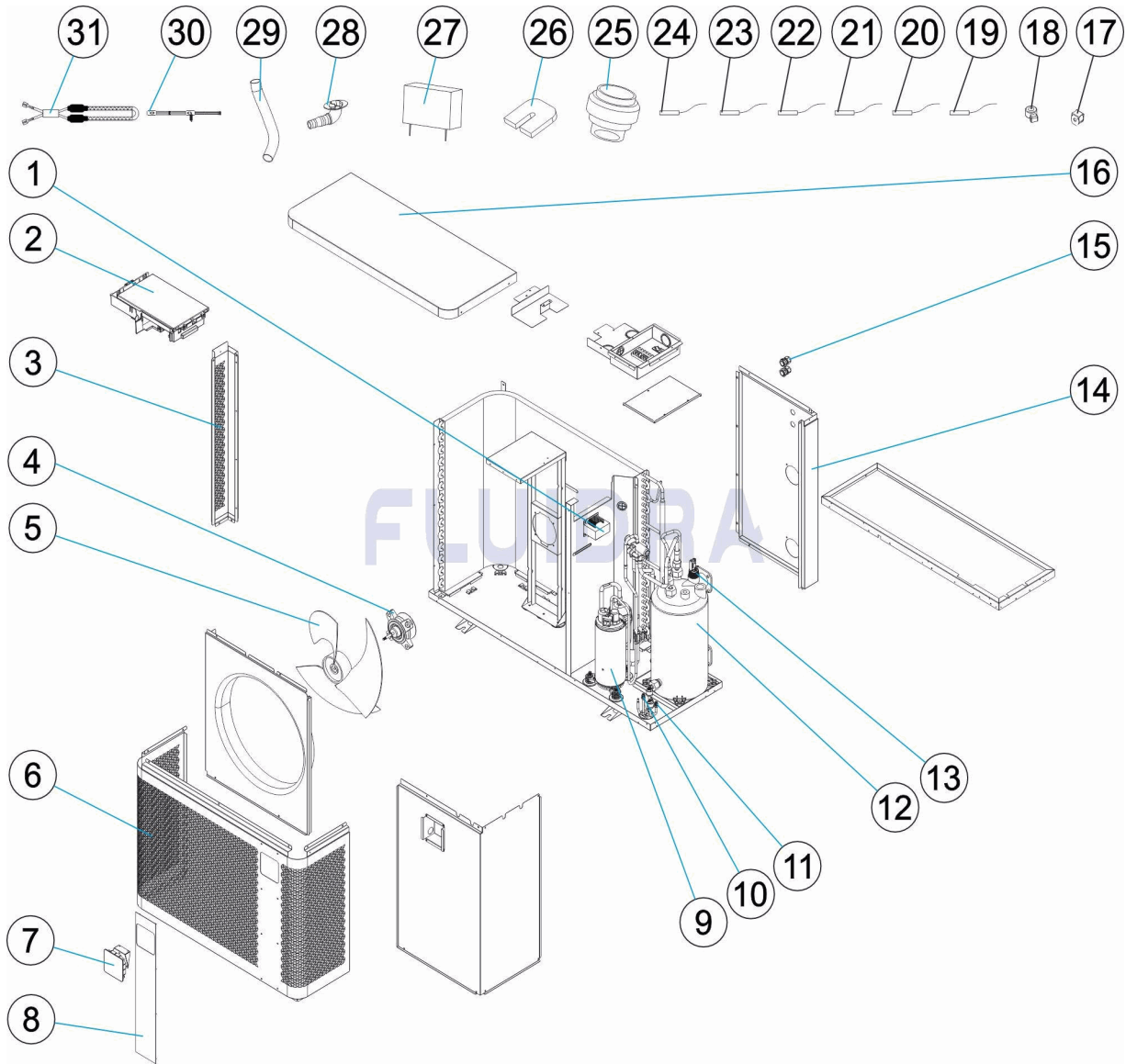
CODE **WH000611, WH000612, WH000615, WH000616**BESCHREIBUNG: **WÄRMEPUMPE MD 6 - 8**

10	75311R0093	DETEKTOR NIEDERDRUCK	22	75336R0029	UMGEBUNGS TEMPERATURFÜHLER
11	75311R0092	DETEKTOR HOCHDRUCK	23	75336R0030	VERDAMPFER TEMPERATURFÜHLER
24	75336R0031	GASDAUER TEMPERATURFÜHLER	29	75311R0033	ABFLUSSSCHLAUCH
25	75311R0032	WASSERANSCHLUSS SET	30	* 75311R0107	KOMPRESSOR-HEIZBAND
26	75311R0035	ANTI-VIBRATIONSFÜSSE	30	* 75311R0114	KOMPRESSOR-HEIZBAND
27	75311R0101	WINTERDECKEL	31	75311R0103	CHASSIS-HEIZBAND
28	75311R0034	WASSERDÜSE			

CODE **WH000611, WH000612, WH000615, WH000616**BESCHREIBUNG: **WÄRMEPUMPE MD 6 - 8****HINWEISE**

POS	CODE	HINWEISE
2	* 75311R0111A	FÜR: WH000611, WH000615
2	* 75311R0111B	FÜR: WH000612
3	* 75311R0127	FÜR: WH000611, WH000612
3	* 75311R0097	FÜR: WH000615, WH000616
6	* 75311R0126	FÜR: WH000611, WH000612
6	* 75311R0096	FÜR: WH000615, WH000616
9	* 75311R0106	FÜR: WH000611, WH000615
9	* 75311R0113	FÜR: WH000612, WH000616
12	* 75311R0110	FÜR: WH000611, WH000615
12	* 75311R0112	FÜR: WH000612, WH000616
14	* 75311R0128	FÜR: WH000611, WH000612
14	* 75311R0109	FÜR: WH000615, WH000616
16	* 75311R0124	FÜR: WH000611, WH000612
16	* 75311R0089	FÜR: WH000615, WH000616
30	* 75311R0107	FÜR: WH000611, WH000615
30	* 75311R0114	FÜR: WH000612, WH000616

CODIGO **WH000611, WH000612, WH000615, WH000616**

 DESCRIÇÃO: **BOMBA DE CALOR MD 6 - 8**

**PORTUGUES**

POS	CODIGO	DESCRIÇÃO	JANTIDADE	POS	CODIGO	DESCRIÇÃO	JANTIDADE
1	75339R0016	REACTOR		12	* 75311R0110	PERMUTADOR DE TITÂNIO	
2	* 75311R0111A	PLACA BASE PCB		12	* 75311R0112	PERMUTADOR DE TITÂNIO	
2	* 75311R0111B	PLACA BASE PCB		13	75336R0005	FLUXO-ESTATO	
3	* 75311R0127	COLUNA DE APOIO TRASEIRO		14	* 75311R0128	PAINEL TRASEIRO	
3	* 75311R0097	COLUNA DE APOIO TRASEIRO		14	* 75311R0109	PAINEL TRASEIRO	
4	75340R0015	MOTOR VENTILADOR		15	75311R0108	PRENSA-ESTOPAS PARA CABO	
5	75340R0014	PÁS VENTILADOR		16	* 75311R0124	TAMPA SUPERIOR	
6	* 75311R0126	PAINEL FRONTAL		16	* 75311R0089	TAMPA SUPERIOR	
6	* 75311R0096	PAINEL FRONTAL		17	75311R0099	VÁLVULA DE 4 VIAS	
7	75311R0104	CONTROLLATORE		18	75336R0025	BOBINA EEV	
8	75311R0095	PAINEL DECORATIVO RAL 9006		19	75336R0037	SENSOR TEMPERATURA SUCCÃO GÁS	
9	* 75311R0106	COMPRESSOR		20	75336R0026	SENSOR TEMPERATURA SAÍDA ÁGUA	
9	* 75311R0113	COMPRESSOR		21	75311R0100	SENSOR DE TEMPERATURA DA ÁGUA DE E	

\* VEJA A FICHA DE OBSERVAÇÕES



CODIGO **WH000611, WH000612, WH000615, WH000616**DESCRICAÇÃO: **BOMBA DE CALOR MD 6 - 8**

10	75311R0093	DETECTOR DE BAIXA PRESSÃO	22	75336R0029	SENSOR TEMPERATURA AMBIENTE
11	75311R0092	DETECTOR DE ALTA PRESSÃO	23	75336R0030	SENSOR TEMPERATURA EVAPORADOR
24	75336R0031	SENSOR TEMPERATURA DESCARGA GÁS	29	75311R0033	MANGUEIRA DE DRENAGEM
25	75311R0032	CONJECTIVOS CONEXÃO DE ÁGUA	30	* 75311R0107	FAIXA DE AQUECIMENTO DO COMPRESSO
26	75311R0035	PÉS ANTIVIBRAÇÃO	30	* 75311R0114	FAIXA DE AQUECIMENTO DO COMPRESSO
27	75311R0101	COBERTURA DE INVERNO	31	75311R0103	FAIXA DE AQUECIMENTO DO CHASSI
28	75311R0034	BOCAL DE ÁGUA			

CODIGO **WH000611, WH000612, WH000615, WH000616**DESCRIÇÃO: **BOMBA DE CALOR MD 6 - 8****OBSERVAÇÕES**

POS	CODIGO	OBSERVAÇÕES
2	* 75311R0111A	PARA: WH000611, WH000615
2	* 75311R0111B	PARA: WH000612
3	* 75311R0127	PARA: WH000611, WH000612
3	* 75311R0097	PARA: WH000615, WH000616
6	* 75311R0126	PARA: WH000611, WH000612
6	* 75311R0096	PARA: WH000615, WH000616
9	* 75311R0106	PARA: WH000611, WH000615
9	* 75311R0113	PARA: WH000612, WH000616
12	* 75311R0110	PARA: WH000611, WH000615
12	* 75311R0112	PARA: WH000612, WH000616
14	* 75311R0128	PARA: WH000611, WH000612
14	* 75311R0109	PARA: WH000615, WH000616
16	* 75311R0124	PARA: WH000611, WH000612
16	* 75311R0089	PARA: WH000615, WH000616
30	* 75311R0107	PARA: WH000611, WH000615
30	* 75311R0114	PARA: WH000612, WH000616