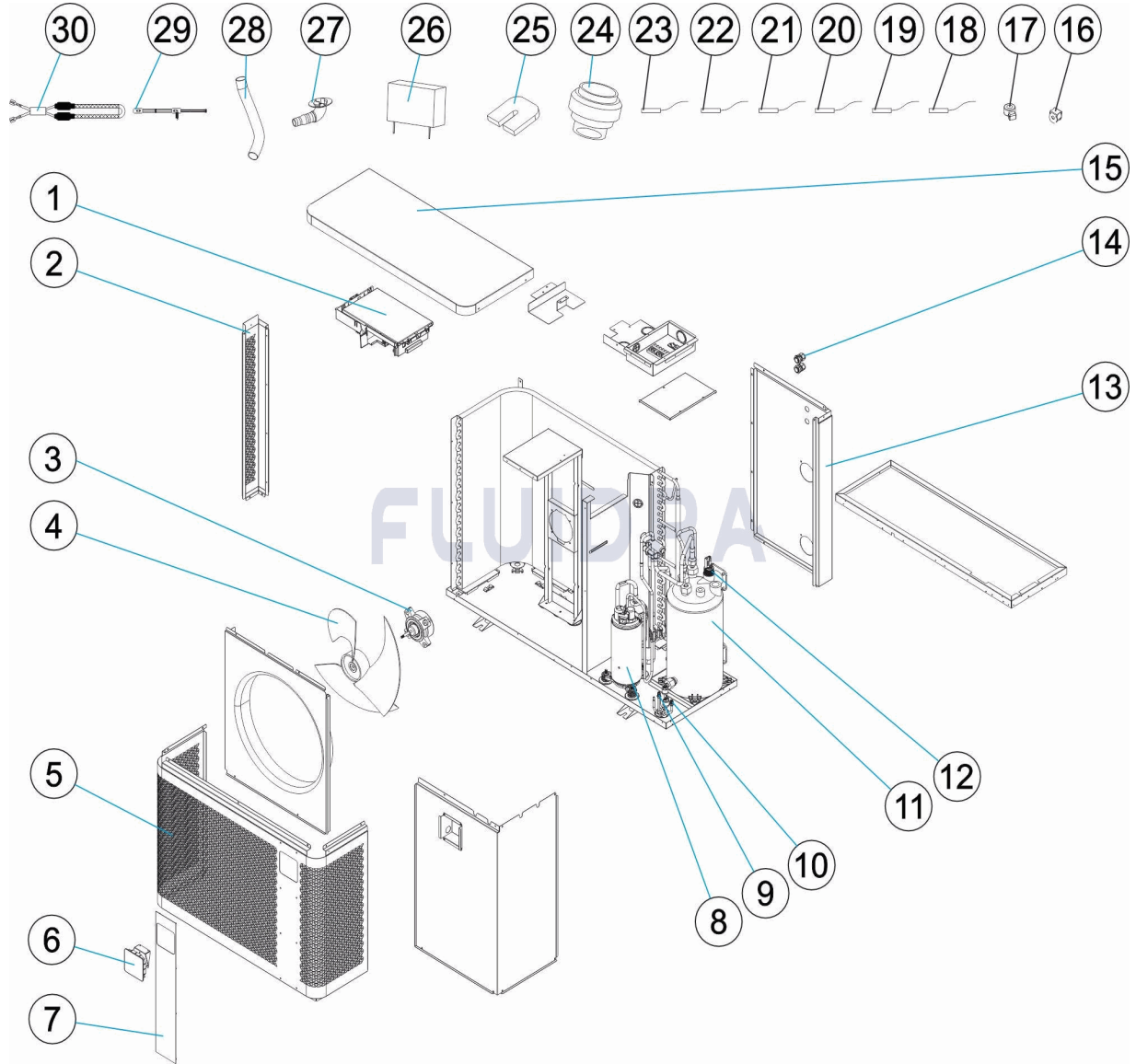


CODIGO WH000609, WH000610, WH000613, WH000614

DESCRIPCION: BOMBA DE CALOR MD 4 - 5


ESPAÑOL

POS	CODIGO	DESCRIPCION	CANTIDAD	POS	CODIGO	DESCRIPCION	CANTIDAD
1	* 75311R0098A	PLACA BASE PCB		11	* 75311R0105	INTERCAMBIADOR DE TITANIO	
1	* 75311R0098B	PLACA BASE PCB		12	75336R0005	FLUJOSTATO	
2	* 75311R0127	COLUMNA SOPORTE TRASERO		13	* 75311R0125	PANEL TRASERO	
2	* 75311R0097	COLUMNA SOPORTE TRASERO		13	* 75311R0090	PANEL TRASERO	
3	75340R0015	MOTOR VENTILADOR		14	75311R0002	PRENSAESTOPAS	
4	75340R0014	ASPAS VENTILADOR		15	* 75311R0124	TAPA SUPERIOR	
5	* 75311R0126	PANEL FRONTAL		15	* 75311R0089	TAPA SUPERIOR	
5	* 75311R0096	PANEL FRONTAL		16	75311R0099	VALVULA DE 4 VIAS	
6	75311R0104	CONTROLADOR		17	75336R0025	BOBINA EEV	
7	75311R0095	PANEL DECORATIVO RAL 9006		18	75336R0037	SENSOR TEMPERATURA SUCCIÓN GAS	
8	* 75311R0094	COMPRESOR		19	75336R0026	SENSOR TEMPERATURA SORTIDA AIGUA	
8	* 75311R0106	COMPRESOR		20	75311R0100	SENSOR DE TEMP DEL AGUA DE ENTRADA	
9	75311R0093	DETECTOR DE PRESIÓN BAJA		21	75336R0029	SENSOR TEMPERATURA AMBIENTE	

* NOTA OBSERVACIONES

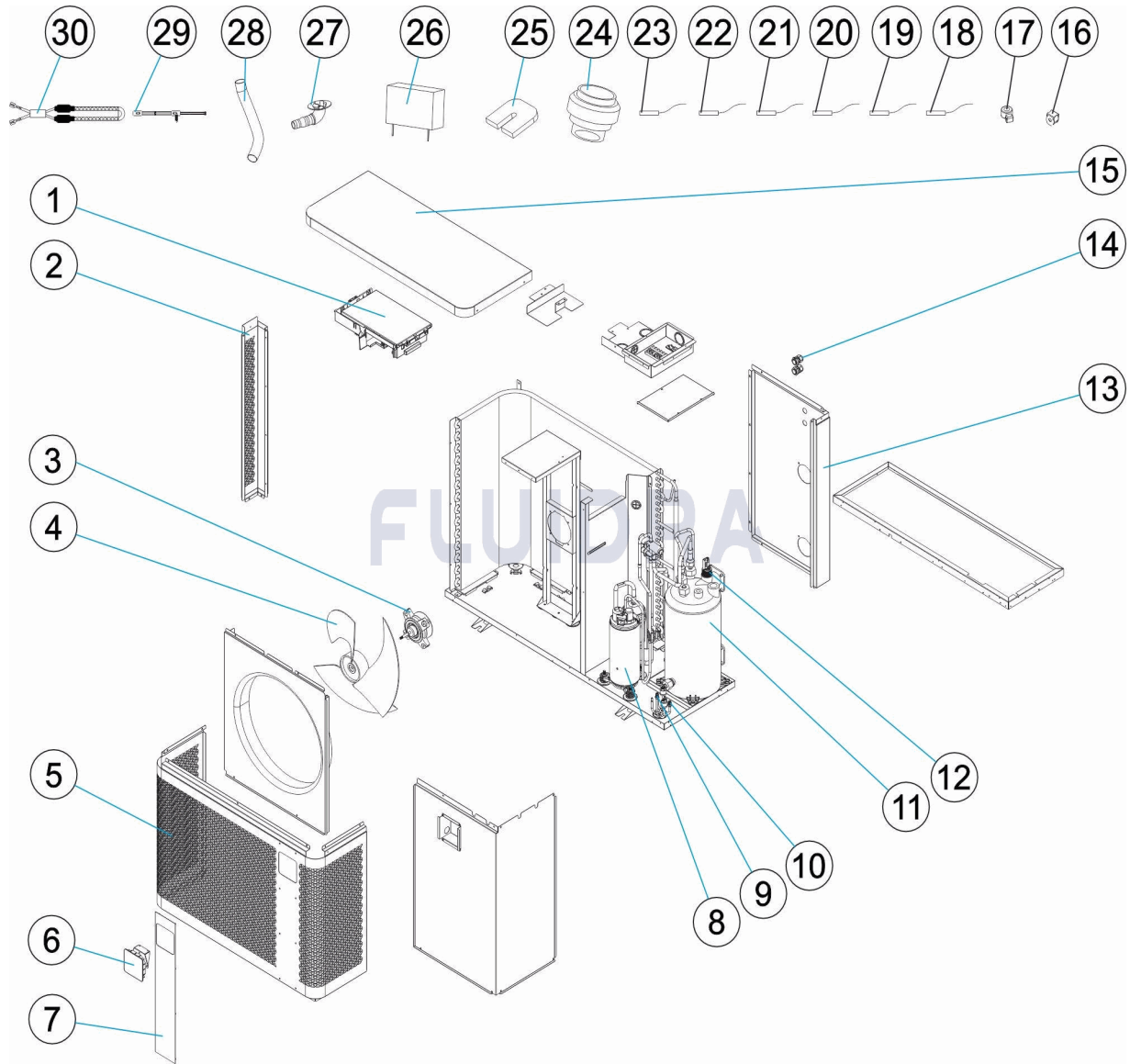
CODIGO **WH000609, WH000610, WH000613, WH000614**DESCRIPCION: **BOMBA DE CALOR MD 4 - 5**

10	75311R0092	DETECTOR DE PRESIÓN ALTA	22	75336R0030	SENSOR TEMPERATURA EVAPORADOR
11	* 75311R0091	INTERCAMBIADOR DE TITANIO	23	75336R0031	SENSOR TEMPERATURA DESCARGA GAS
24	75311R0032	KIT DE CONEXIÓN AGUA	28	75311R0033	MANGUERA DE DRENAJE
25	75311R0035	PIES ANTIVIBRATORIOS	29	* 75311R0102	BANDA CALEFACTORA DEL COMPRESOR
26	75311R0101	CUBIERTA DE INVIERNO	29	* 75311R0107	BANDA CALEFACTORA DEL COMPRESOR
27	75311R0034	BOQUILLA DE AGUA	30	75311R0103	BANDA CALEFACTORA DEL CHASIS

CODIGO **WH000609, WH000610, WH000613, WH000614**DESCRIPCION: **BOMBA DE CALOR MD 4 - 5****OBSERVACIONES**

POS	CODIGO	OBSERVACIONES
1	* 75311R0098A	PARA: WH000609, WH000613
1	* 75311R0098B	PARA: WH000610, WH000614
2	* 75311R0127	PARA: WH000609, WH000610
2	* 75311R0097	PARA: WH000613, WH000614
5	* 75311R0126	PARA: WH000609, WH000610
5	* 75311R0096	PARA: WH000613, WH000614
8	* 75311R0094	PARA: WH000609, WH000613
8	* 75311R0106	PARA: WH000610, WH000614
11	* 75311R0091	PARA: WH000609, WH000613
11	* 75311R0105	PARA: WH000610, WH000614
13	* 75311R0125	PARA: WH000609, WH000610
13	* 75311R0090	PARA: WH000613, WH000614
15	* 75311R0124	PARA: WH000609, WH000610
15	* 75311R0089	PARA: WH000613, WH000614
29	* 75311R0102	PARA: WH000609, WH000613
29	* 75311R0107	PARA: WH000610, WH000614

CODE **WH000609, WH000610, WH000613, WH000614**

 DESCRIPTION: **POMPE À CHALEUR MD 4 - 5**

FRANCAIS

POS	CODE	DESCRIPTION	QUANTITE	POS	CODE	DESCRIPTION	QUANTITE
1	* 75311R0098A	PLAQUE BASE PCB		11	* 75311R0105	ÉCHANGEUR EN TITANE	
1	* 75311R0098B	PLAQUE BASE PCB		12	75336R0005	CONTROLEUR DE DEBIT	
2	* 75311R0127	COLONNE DE SUPPORT DORSAL		13	* 75311R0125	PANNEAU ARRIÈRE	
2	* 75311R0097	COLONNE DE SUPPORT DORSAL		13	* 75311R0090	PANNEAU ARRIÈRE	
3	75340R0015	MOTEUR VENTILATEUR		14	75311R0002	PRESSE-ÉTOUPES	
4	75340R0014	PALES VENTILATEUR		15	* 75311R0124	COUVERCLE SUPÉRIEUR	
5	* 75311R0126	PANNEAU AVANT		15	* 75311R0089	COUVERCLE SUPÉRIEUR	
5	* 75311R0096	PANNEAU AVANT		16	75311R0099	4-WAY VALVE	
6	75311R0104	CONTRÔLEUR		17	75336R0025	BOBINE EEV	
7	75311R0095	PANNEAU DÉCORATIF RAL 9006		18	75336R0037	CAPTEUR TEMPÉRATURE ASPIRATION GA.	
8	* 75311R0094	COMPRESSEUR		19	75336R0026	CAPTEUR TEMPÉRATURE EAU SORTIE	
8	* 75311R0106	COMPRESSEUR		20	75311R0100	CAPTEUR DE TEMPÉRATURE D'EAU D'ENT	
9	75311R0093	DÉTECTEUR BASSE PRESSION		21	75336R0029	CAPTEUR TEMPÉRATURE AMBIANT	

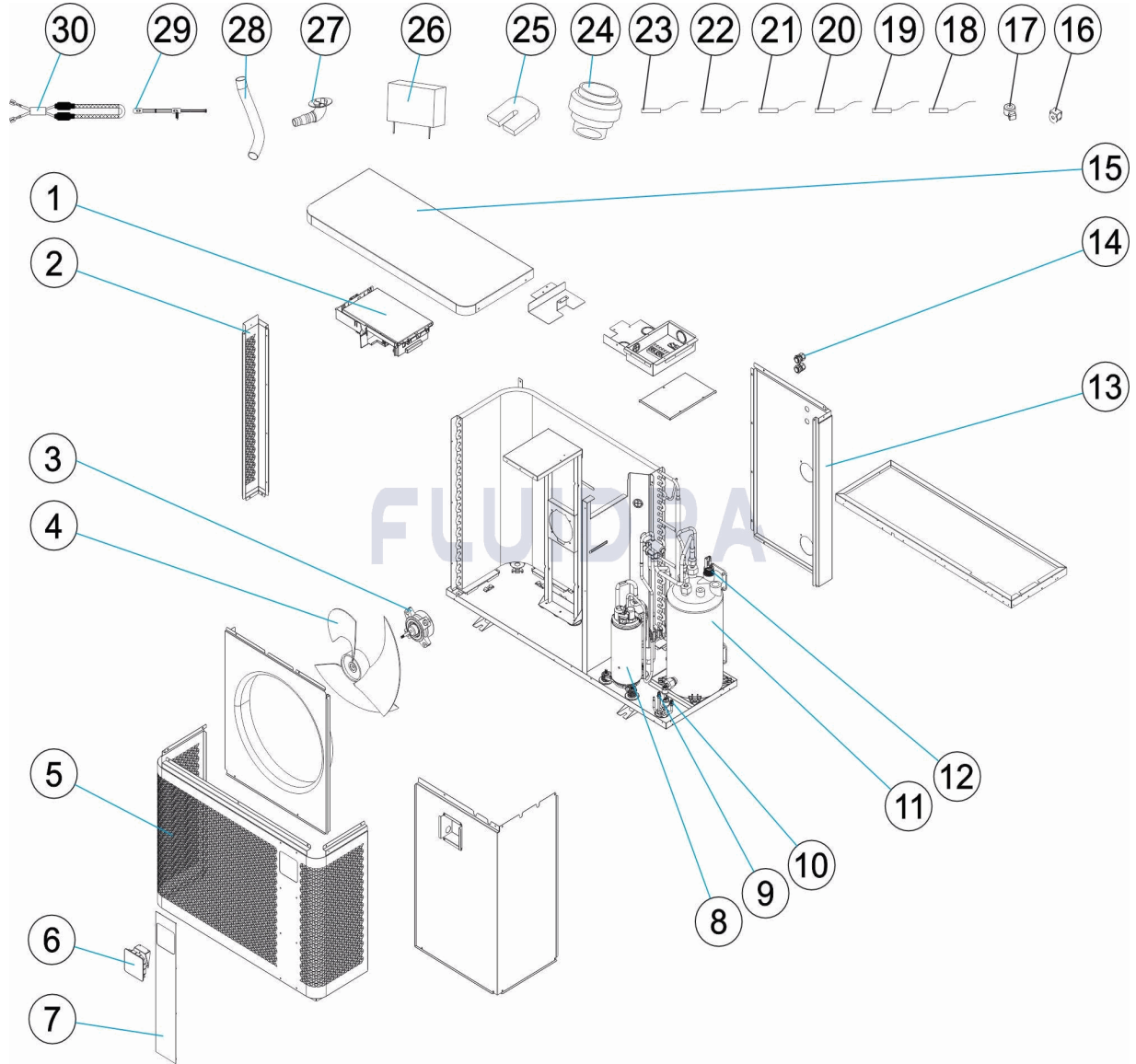
CODE **WH000609, WH000610, WH000613, WH000614**DESCRIPTION: **POMPE À CHALEUR MD 4 - 5**

10	75311R0092	DÉTECTEUR HAUTE PRESSION	22	75336R0030	CAPTEUR TEMPÉRATURE ÉVAPORATEUR
11	* 75311R0091	ÉCHANGEUR EN TITANE	23	75336R0031	CAPTEUR TEMPÉRATURE DÉCHARGE GAZ
24	75311R0032	ENSEMBLES CONNEXION D'EAU	28	75311R0033	TUYAU DE DRAINAGE
25	75311R0035	PIEDS ANTI-VIBRATION	29	* 75311R0102	BANDE CHAUFFANTE POUR COMPRESSEL
26	75311R0101	COUVERTURE D'HIVERNAGE	29	* 75311R0107	BANDE CHAUFFANTE POUR COMPRESSEL
27	75311R0034	BUSE D'EAU	30	75311R0103	BANDE CHAUFFANTE CHÂSSIS

CODE **WH000609, WH000610, WH000613, WH000614**DESCRIPTION: **POMPE À CHALEUR MD 4 - 5****OBSERVATIONS**

POS	CODE	OBSERVATIONS
1	* 75311R0098A	POUR: WH000609, WH000613
1	* 75311R0098B	POUR: WH000610, WH000614
2	* 75311R0127	POUR: WH000609, WH000610
2	* 75311R0097	POUR: WH000613, WH000614
5	* 75311R0126	POUR: WH000609, WH000610
5	* 75311R0096	POUR: WH000613, WH000614
8	* 75311R0094	POUR: WH000609, WH000613
8	* 75311R0106	POUR: WH000610, WH000614
11	* 75311R0091	POUR: WH000609, WH000613
11	* 75311R0105	POUR: WH000610, WH000614
13	* 75311R0125	POUR: WH000609, WH000610
13	* 75311R0090	POUR: WH000613, WH000614
15	* 75311R0124	POUR: WH000609, WH000610
15	* 75311R0089	POUR: WH000613, WH000614
29	* 75311R0102	POUR: WH000609, WH000613
29	* 75311R0107	POUR: WH000610, WH000614

CODE **WH000609, WH000610, WH000613, WH000614**

 DESCRIPTION: **HEAT PUMP MD 4 - 5**

ENGLISH

POS	CODE	DESCRIPTION	QUANTITY	POS	CODE	DESCRIPTION	QUANTITY
1	* 75311R0098A	MAIN PCB		11	* 75311R0105	TITANIUM HEAT EXCHANGER	
1	* 75311R0098B	MAIN PCB		12	75336R0005	WATER FLOW SWITCH	
2	* 75311R0127	BACK SUPPORT COLUMN		13	* 75311R0125	BACK PANEL	
2	* 75311R0097	BACK SUPPORT COLUMN		13	* 75311R0090	BACK PANEL	
3	75340R0015	FAN MOTOR		14	75311R0002	CABLE GLANDS	
4	75340R0014	FAN BLADE		15	* 75311R0124	TOP CAP	
5	* 75311R0126	FRONT PANEL		15	* 75311R0089	TOP CAP	
5	* 75311R0096	FRONT PANEL		16	75311R0099	4-WAY VALVE COIL	
6	75311R0104	CONTROLLER		17	75336R0025	EEV COIL	
7	75311R0095	DECORATIVE PANEL RAL 9006		18	75336R0037	GAS SUCTION TEMPERATURE SENSOR	
8	* 75311R0094	COMPRESSOR		19	75336R0026	WATER OUTLET TEMPERATURE SENSOR	
8	* 75311R0106	COMPRESSOR		20	75311R0100	INLET WATER TEMP. SENSOR	
9	75311R0093	LOW PRESSURE SWITCH		21	75336R0029	AMBIENT TEMPERATURE SENSOR	

* SEE OBSERVATIONS SHEET

CODE **WH000609, WH000610, WH000613, WH000614**DESCRIPTION: **HEAT PUMP MD 4 - 5**

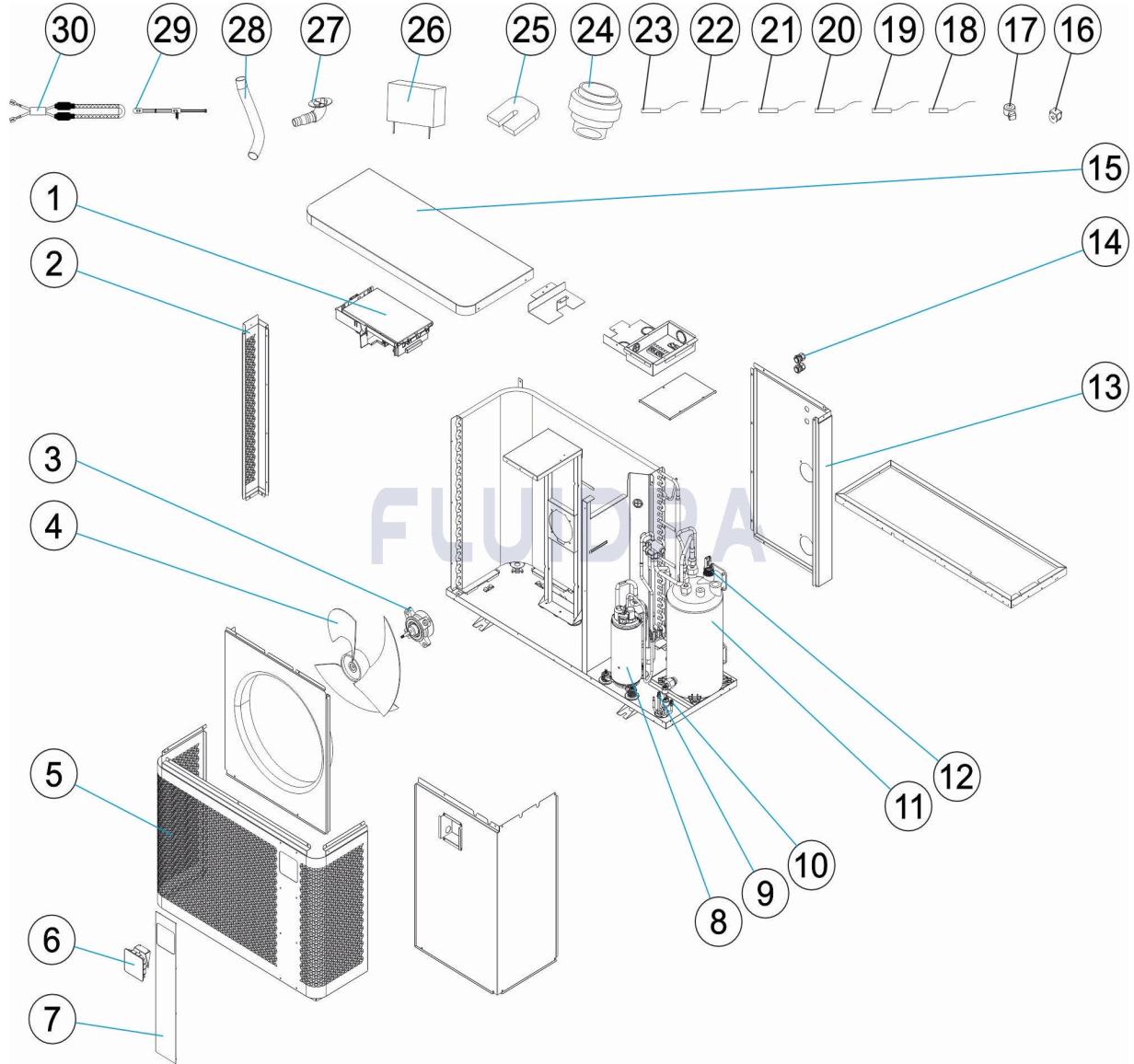
10	75311R0092	HIGH PRESSURE SWITCH	22	75336R0030	WATER INLET TEMPERATURE EVAPORATO
11	* 75311R0091	TITANIUM HEAT EXCHANGER	23	75336R0031	GAS DISCHARGE TEMPERATURE SENSOR
24	75311R0032	WATER CONNECTION SETS	28	75311R0033	DRAIN HOSE
25	75311R0035	ANTI-VIBRATION FEET	29	* 75311R0102	COMPRESSOR HEATER BAND
26	75311R0101	WINTER COVER	29	* 75311R0107	COMPRESSOR HEATER BAND
27	75311R0034	WATER NOZZLE	30	75311R0103	CHASSIS HEATER BAND

CODE **WH000609, WH000610, WH000613, WH000614**DESCRIPTION: **HEAT PUMP MD 4 - 5**

OBSERVATIONS

POS	CODE	OBSERVATIONS
1	* 75311R0098A	FOR: WH000609, WH000613
1	* 75311R0098B	FOR: WH000610, WH000614
2	* 75311R0127	FOR: WH000609, WH000610
2	* 75311R0097	FOR: WH000613, WH000614
5	* 75311R0126	FOR: WH000609, WH000610
5	* 75311R0096	FOR: WH000613, WH000614
8	* 75311R0094	FOR: WH000609, WH000613
8	* 75311R0106	FOR: WH000610, WH000614
11	* 75311R0091	FOR: WH000609, WH000613
11	* 75311R0105	FOR: WH000610, WH000614
13	* 75311R0125	FOR: WH000609, WH000610
13	* 75311R0090	FOR: WH000613, WH000614
15	* 75311R0124	FOR: WH000609, WH000610
15	* 75311R0089	FOR: WH000613, WH000614
29	* 75311R0102	FOR: WH000609, WH000613
29	* 75311R0107	FOR: WH000610, WH000614

CODICE **WH000609, WH000610, WH000613, WH000614**

 DESCRIZIONE: **POMPA DI CALORE MD 4 - 5**

ITALIANO

POS	CODICE	DESCRIZIONE	QUANTITA'	POS	CODICE	DESCRIZIONE	QUANTITA'
1	* 75311R0098A	SCHEDA BASE PCB		11	* 75311R0105	INTERCAMBIATORE IN TITANIO	
1	* 75311R0098B	SCHEDA BASE PCB		12	75336R0005	FLUSSOSTATO	
2	* 75311R0127	COLONNA DI SOSTEGNO DELLO SCHIENA		13	* 75311R0125	PANNELLO INDIETRO	
2	* 75311R0097	COLONNA DI SOSTEGNO DELLO SCHIENA		13	* 75311R0090	PANNELLO INDIETRO	
3	75340R0015	MOTORE VENTOLA		14	75311R0002	PRESSACAVI	
4	75340R0014	PALE VENTILATORE		15	* 75311R0124	COPERCHIO SUPERIORE	
5	* 75311R0126	PANNELLO FRONTALE		15	* 75311R0089	COPERCHIO SUPERIORE	
5	* 75311R0096	PANNELLO FRONTALE		16	75311R0099	VALVOLA A 4 VIE	
6	75311R0104	CONTROLADOR		17	75336R0025	BOBINA EEV	
7	75311R0095	PANNELLO DECORATIVO RAL 9006		18	75336R0037	SENSORE TEMPERATURA ASPIRAZIONE G	
8	* 75311R0094	COMPRESSORE		19	75336R0026	SENSORE TEMPERATURA USCITA ACQUA	
8	* 75311R0106	COMPRESSORE		20	75311R0100	SENSORE TEMPERATURA ACQUA IN INGR	
9	75311R0093	RIVELATORE BASSO PRESSIONE		21	75336R0029	SENSORE TEMPERATURA AMBIENTE	

* SI FACCIA RIFERIMENTO AL FOGLIO DELLE OSSERVAZIONI

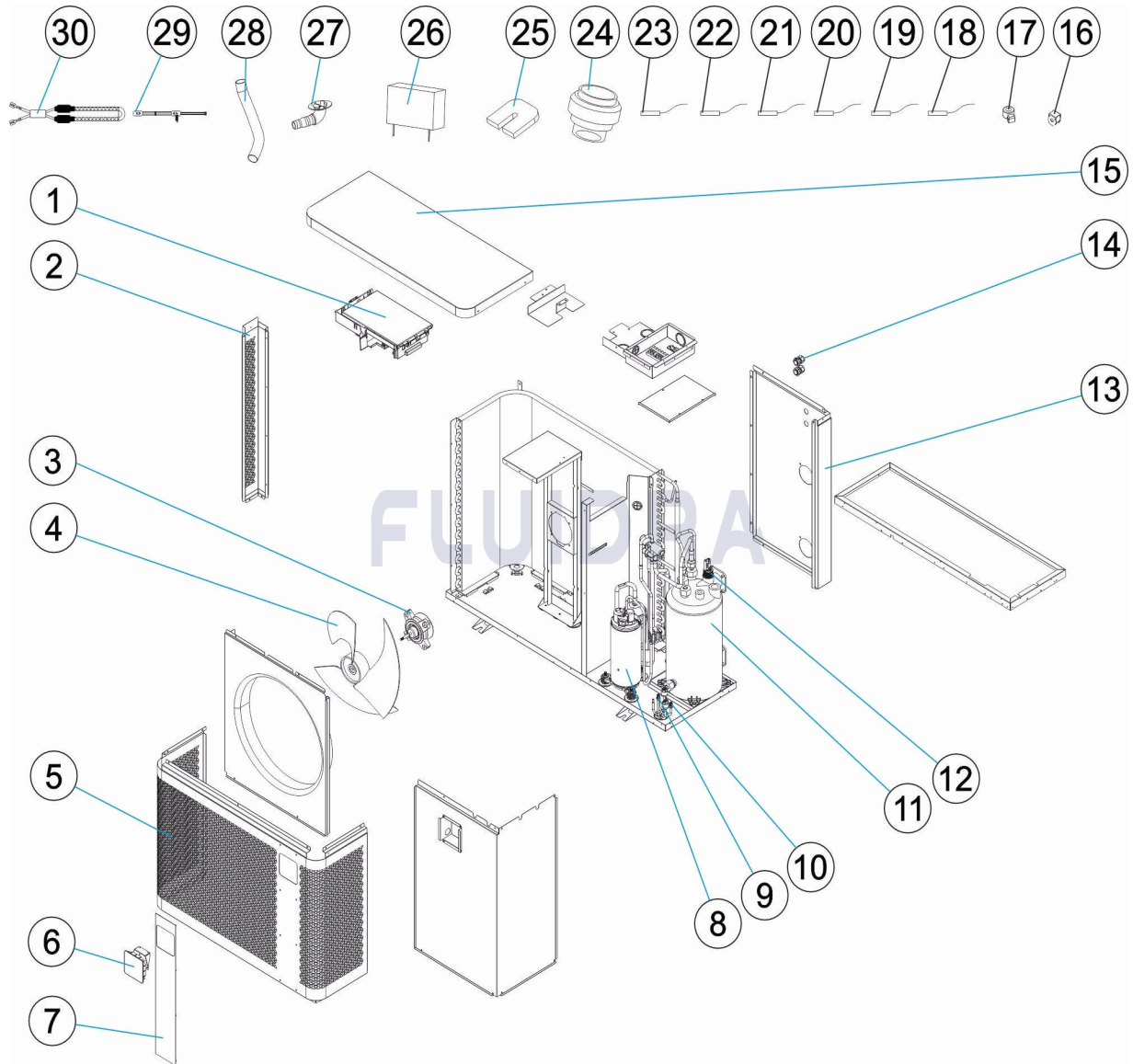
CODICE **WH000609, WH000610, WH000613, WH000614**DESCRIZIONE: **POMPA DI CALORE MD 4 - 5**

10	75311R0092	RILEVATORE DI ALTA PRESSIONE	22	75336R0030	SENSORE TEMPERATURA EVAPORATORE
11	* 75311R0091	INTERCAMBIATORE IN TITANIO	23	75336R0031	SENSORE TEMPERATURA SCARICO GAS
24	75311R0032	SET CONNESSIONE DELL'ACQUA	28	75311R0033	TUBO DI SCARICO
25	75311R0035	PIEDINI ANTIVIBRAZIONE	29	* 75311R0102	FASCIA RISCALDANTE DEL COMPRESSORI
26	75311R0101	COPERTA DI INVERNO	29	* 75311R0107	FASCIA RISCALDANTE DEL COMPRESSORI
27	75311R0034	UGELLO DELL'ACQUA	30	75311R0103	FASCIA RISCALDANTE DEL TELAIO

CODICE **WH000609, WH000610, WH000613, WH000614**DESCRIZIONE: **POMPA DI CALORE MD 4 - 5****OSSERVAZIONI**

POS	CODICE	OSSERVAZIONI
1	* 75311R0098A	PER: WH000609, WH000613
1	* 75311R0098B	PER: WH000610, WH000614
2	* 75311R0127	PER: WH000609, WH000610
2	* 75311R0097	PER: WH000613, WH000614
5	* 75311R0126	PER: WH000609, WH000610
5	* 75311R0096	PER: WH000613, WH000614
8	* 75311R0094	PER: WH000609, WH000613
8	* 75311R0106	PER: WH000610, WH000614
11	* 75311R0091	PER: WH000609, WH000613
11	* 75311R0105	PER: WH000610, WH000614
13	* 75311R0125	PER: WH000609, WH000610
13	* 75311R0090	PER: WH000613, WH000614
15	* 75311R0124	PER: WH000609, WH000610
15	* 75311R0089	PER: WH000613, WH000614
29	* 75311R0102	PER: WH000609, WH000613
29	* 75311R0107	PER: WH000610, WH000614

CODE **WH000609, WH000610, WH000613, WH000614**

 BESCHREIBUNG: **WÄRMEPUMPE MD 4 - 5**

DEUTSCH

POS	CODE	BESCHREIBUNG	MENGE	POS	CODE	BESCHREIBUNG	MENGE
1	* 75311R0098A	BASISPLATTE PCB		11	* 75311R0105	WÄRMEÜBERTRAGER TITANIUM	
1	* 75311R0098B	BASISPLATTE PCB		12	75336R0005	DURCHFLUSSMESSER	
2	* 75311R0127	HINTERE SÄULENSTÜTZE		13	* 75311R0125	FÜHRERHAUSRÜCKWAND	
2	* 75311R0097	HINTERE SÄULENSTÜTZE		13	* 75311R0090	FÜHRERHAUSRÜCKWAND	
3	75340R0015	LÜFTERMOTOR		14	75311R0002	KABELVERSCHRAUBUNGEN	
4	75340R0014	ROTORBLÄTTER VENTILATOR		15	* 75311R0124	ABDECKUNG OBEN	
5	* 75311R0126	FRONTPLATTE		15	* 75311R0089	ABDECKUNG OBEN	
5	* 75311R0096	FRONTPLATTE		16	75311R0099	4-WEGE-VENTIL	
6	75311R0104	STEUERUNG		17	75336R0025	SPULE EEV	
7	75311R0095	DEKORPLATTE RAL 9006		18	75336R0037	GASANSAUG TEMPERATURFÜHLER	
8	* 75311R0094	KOMPRESSOR		19	75336R0026	WASSERABFLUSS TEMPERATURFÜHLER	
8	* 75311R0106	KOMPRESSOR		20	75311R0100	EINLASSWASSERTEMPERATURSENSOR	
9	75311R0093	DETEKTOR NIEDERDRUCK		21	75336R0029	UMGEBUNGS TEMPERATURFÜHLER	

* SIEHE ANMERKUNGSBLATT

CODE **WH000609, WH000610, WH000613, WH000614**BESCHREIBUNG: **WÄRMEPUMPE MD 4 - 5**

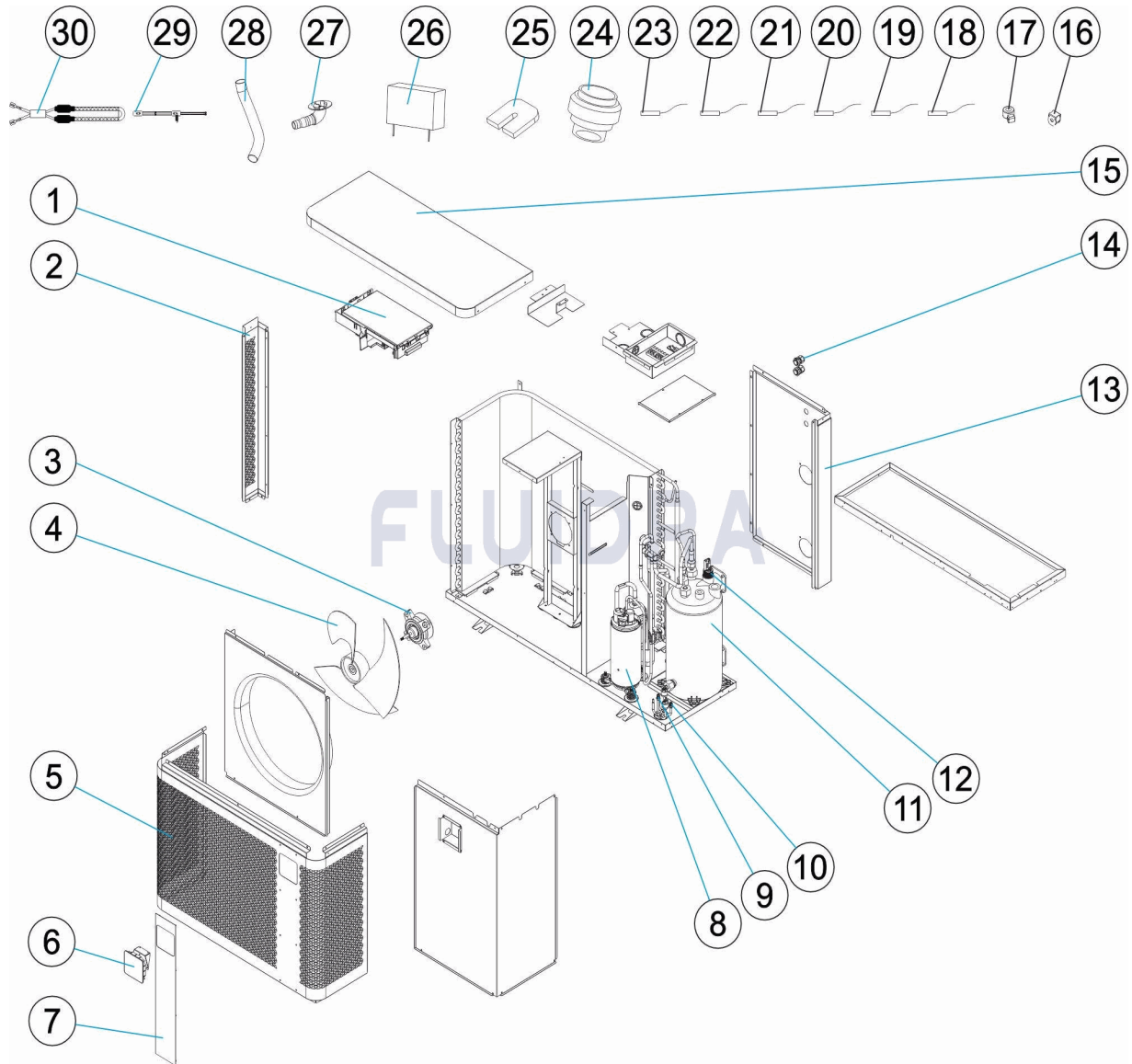
10	75311R0092	DETEKTOR HOCHDRUCK	22	75336R0030	VERDAMPFER TEMPERATURFÜHLER
11	* 75311R0091	WÄRMEÜBERTRAGER TITANIUM	23	75336R0031	GASDAUER TEMPERATURFÜHLER
24	75311R0032	WASSERANSCHLUSS SET	28	75311R0033	ABFLUSSSCHLAUCH
25	75311R0035	ANTI-VIBRATIONSFÜSSE	29	* 75311R0102	KOMPRESSOR-HEIZBAND
26	75311R0101	WINTERDECKEL	29	* 75311R0107	KOMPRESSOR-HEIZBAND
27	75311R0034	WASSERDÜSE	30	75311R0103	CHASSIS-HEIZBAND

CODE **WH000609, WH000610, WH000613, WH000614**BESCHREIBUNG: **WÄRMEPUMPE MD 4 - 5****HINWEISE**

POS	CODE	HINWEISE
1	* 75311R0098A	FÜR: WH000609, WH000613
1	* 75311R0098B	FÜR: WH000610, WH000614
2	* 75311R0127	FÜR: WH000609, WH000610
2	* 75311R0097	FÜR: WH000613, WH000614
5	* 75311R0126	FÜR: WH000609, WH000610
5	* 75311R0096	FÜR: WH000613, WH000614
8	* 75311R0094	FÜR: WH000609, WH000613
8	* 75311R0106	FÜR: WH000610, WH000614
11	* 75311R0091	FÜR: WH000609, WH000613
11	* 75311R0105	FÜR: WH000610, WH000614
13	* 75311R0125	FÜR: WH000609, WH000610
13	* 75311R0090	FÜR: WH000613, WH000614
15	* 75311R0124	FÜR: WH000609, WH000610
15	* 75311R0089	FÜR: WH000613, WH000614
29	* 75311R0102	FÜR: WH000609, WH000613
29	* 75311R0107	FÜR: WH000610, WH000614

CODIGO **WH000609, WH000610, WH000613, WH000614**

DESCRIÇÃO: **BOMBA DE CALOR MD 4 - 5**



PORTUGUES

POS	CODIGO	DESCRIÇÃO	JANTIDADE	POS	CODIGO	DESCRIÇÃO	JANTIDADE
1	* 75311R0098A	PLACA BASE PCB		11	* 75311R0105	PERMUTADOR DE TITÂNIO	
1	* 75311R0098B	PLACA BASE PCB		12	75336R0005	FLUXO-ESTATO	
2	* 75311R0127	COLUNA DE APOIO TRASEIRO		13	* 75311R0125	PAINEL TRASEIRO	
2	* 75311R0097	COLUNA DE APOIO TRASEIRO		13	* 75311R0090	PAINEL TRASEIRO	
3	75340R0015	MOTOR VENTILADOR		14	75311R0002	PRENSA-CABOS	
4	75340R0014	PÁS VENTILADOR		15	* 75311R0124	TAMPA SUPERIOR	
5	* 75311R0126	PAINEL FRONTAL		15	* 75311R0089	TAMPA SUPERIOR	
5	* 75311R0096	PAINEL FRONTAL		16	75311R0099	VÁLVULA DE 4 VIAS	
6	75311R0104	CONTROLLATORE		17	75336R0025	BOBINA EEV	
7	75311R0095	PAINEL DECORATIVO RAL 9006		18	75336R0037	SENSOR TEMPERATURA SUCCÃO GÁS	
8	* 75311R0094	COMPRESSOR		19	75336R0026	SENSOR TEMPERATURA SAÍDA ÁGUA	
8	* 75311R0106	COMPRESSOR		20	75311R0100	SENSOR DE TEMPERATURA DA ÁGUA DE E	
9	75311R0093	DETECTOR DE BAIXA PRESSÃO		21	75336R0029	SENSOR TEMPERATURA AMBIENTE	

*** VEJA A FICHA DE OBSERVAÇÕES**

CODIGO **WH000609, WH000610, WH000613, WH000614**DESCRICAÇÃO: **BOMBA DE CALOR MD 4 - 5**

10	75311R0092	DETECTOR DE ALTA PRESSÃO	22	75336R0030	SENSOR TEMPERATURA EVAPORADOR
11	* 75311R0091	PERMUTADOR DE TITÂNIO	23	75336R0031	SENSOR TEMPERATURA DESCARGA GÁS
24	75311R0032	CONJECTIVOS CONEXÃO DE ÁGUA	28	75311R0033	MANGUEIRA DE DRENAGEM
25	75311R0035	PÉS ANTIVIBRAÇÃO	29	* 75311R0102	FAIXA DE AQUECIMENTO DO COMPRESSO
26	75311R0101	COBERTURA DE INVERNO	29	* 75311R0107	FAIXA DE AQUECIMENTO DO COMPRESSO
27	75311R0034	BOCAL DE ÁGUA	30	75311R0103	FAIXA DE AQUECIMENTO DO CHASSI

CODIGO **WH000609, WH000610, WH000613, WH000614**DESCRIÇÃO: **BOMBA DE CALOR MD 4 - 5****OBSERVAÇÕES**

POS	CODIGO	OBSERVAÇÕES
1	* 75311R0098A	PARA: WH000609, WH000613
1	* 75311R0098B	PARA: WH000610, WH000614
2	* 75311R0127	PARA: WH000609, WH000610
2	* 75311R0097	PARA: WH000613, WH000614
5	* 75311R0126	PARA: WH000609, WH000610
5	* 75311R0096	PARA: WH000613, WH000614
8	* 75311R0094	PARA: WH000609, WH000613
8	* 75311R0106	PARA: WH000610, WH000614
11	* 75311R0091	PARA: WH000609, WH000613
11	* 75311R0105	PARA: WH000610, WH000614
13	* 75311R0125	PARA: WH000609, WH000610
13	* 75311R0090	PARA: WH000613, WH000614
15	* 75311R0124	PARA: WH000609, WH000610
15	* 75311R0089	PARA: WH000613, WH000614
29	* 75311R0102	PARA: WH000609, WH000613
29	* 75311R0107	PARA: WH000610, WH000614