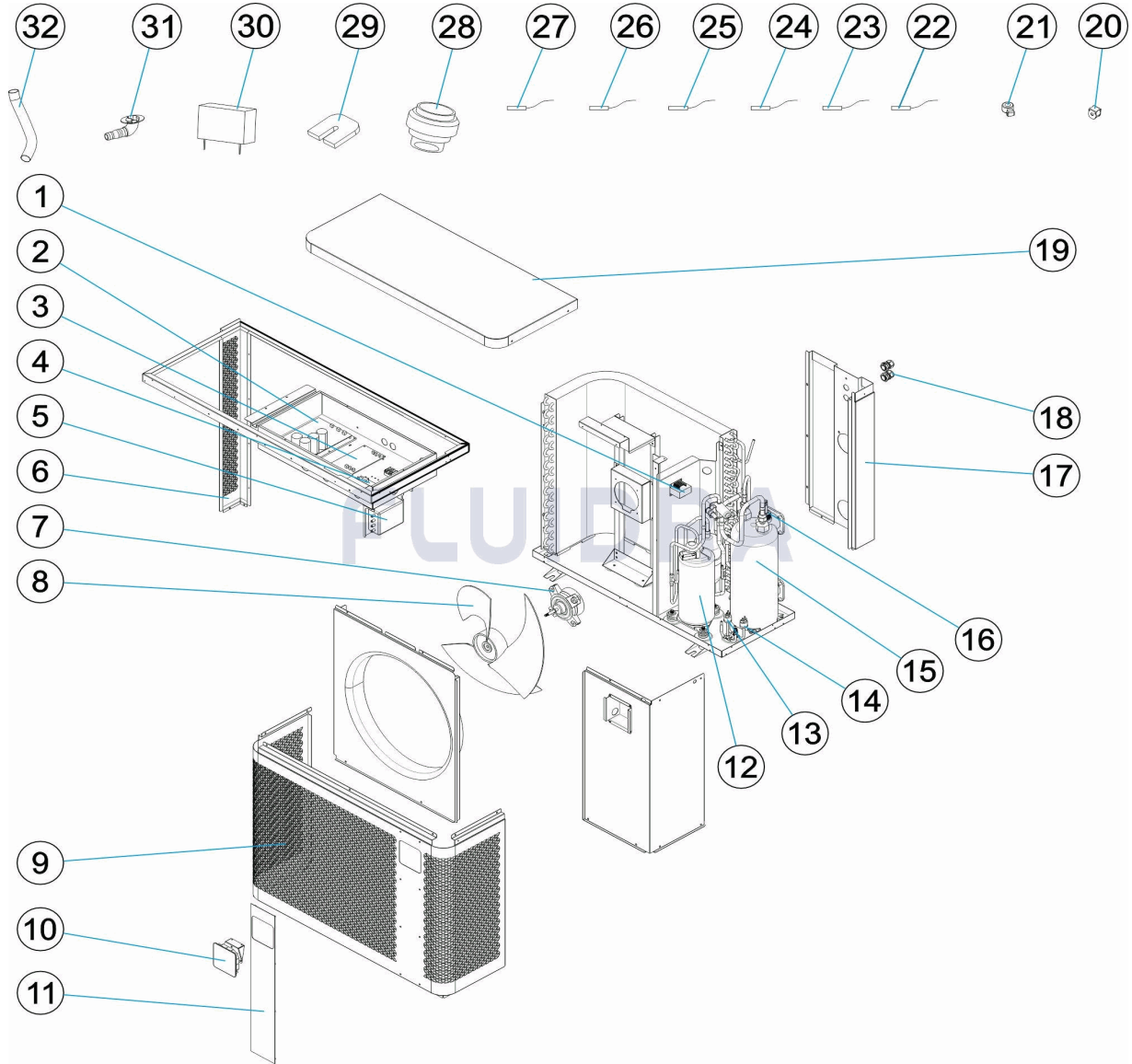


CODIGO **WH000584, WH000586, WH000594, WH000596**

 DESCRIPCION: **BOMBA DE CALOR TD 9 - 12**

ESPAÑOL

POS	CODIGO	DESCRIPCION	CANTIDAD	POS	CODIGO	DESCRIPCION	CANTIDAD
1	* 75311R0057	REACTOR		11	75311R0065	PANEL DECORATIVO RAL 9006	
1	* 75311R0541	REACTOR		12	* 75311R0064	COMPRESOR	
2	* 75311R0056	PLACA FILTRO		12	* 75311R0529	COMPRESOR	
2	* 75311R0539	PLACA FILTRO		13	75311R0082	DETECTOR DE PRESIÓN BAJA	
3	75311R0055	PLACA FILTRO		14	75311R0081	DETECTOR DE PRESIÓN ALTA	
4	75311R0054D	PLACA BASE PCB		15	* 75311R0061	INTERCAMBIADOR DE TITANIO	
5	75311R0136	FILTRO		15	* 75311R0528	INTERCAMBIADOR DE TITANIO	
6	* 75311R0069	COLUMNA SOPORTE TRASERO		16	75311R0080	FLUJOSTATO	
6	* 75311R0123	COLUMNA SOPORTE TRASERO		17	* 75311R0059	PANEL TRASERO	
7	75311R0068	MOTOR VENTILADOR		17	* 75311R0121	PANEL TRASERO	
8	75311R0067	ASPAS VENTILADOR		17	* 75311R0527	PANEL TRASERO	
9	* 75311R0066	PANEL FRONTAL		17	* 75311R0542	PANEL TRASERO	
9	* 75311R0122	PANEL FRONTAL		18	* 75311R0052	PRENSAESTOPAS PARA CABLE	

* NOTA OBSERVACIONES

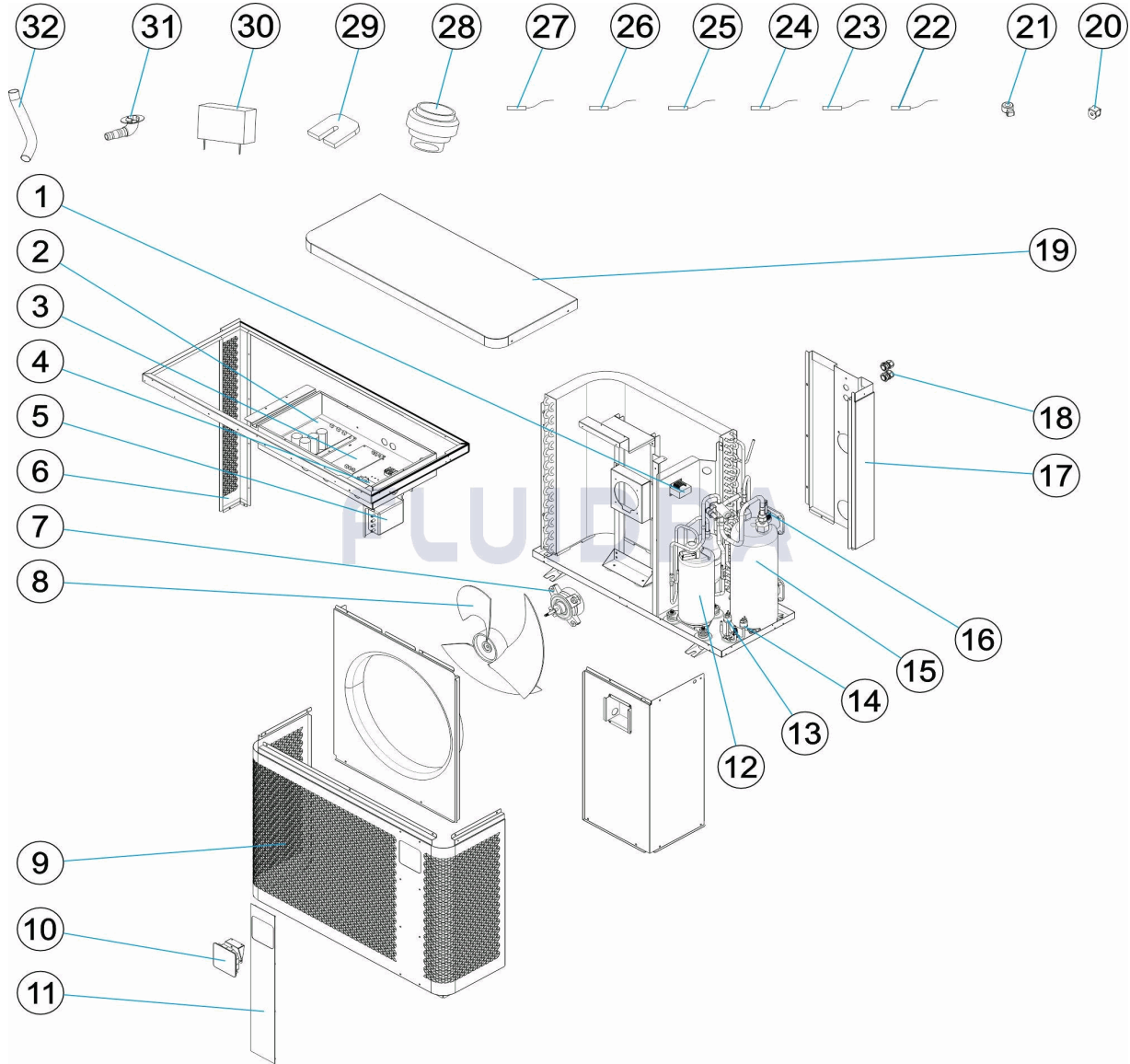
CODIGO **WH000584, WH000586, WH000594, WH000596**DESCRIPCION: **BOMBA DE CALOR TD 9 - 12**

10	* 75311R0042A	CONTROLADOR	18	* 75311R0138	PRENSAESTOPAS PARA CABLE
10	* 75311R0042B	CONTROLADOR	19	* 75311R0058	TAPA SUPERIOR
19	* 75311R0120	PANEL SUPERIOR	26	75311R0087	TEMP SERPENTÍN EVAPORADOR. SENSOR
20	75311R0083	VALVULA DE 4 VIAS	27	75311R0088	SENSOR DE TEMPERATURA DE DESCARG.
21	75336R0025	BOBINA EEV	28	75311R0032	KIT DE CONEXIÓN AGUA
22	75311R0074	SENSOR DE TEMPERATURA DE ASPIRACII	29	75311R0035	PIES ANTIVIBRATORIOS
23	75311R0084	SENSOR DE TEMPERATURA DEL AGUA DE	30	75311R0135	CUBIERTA DE INVIERNO
24	75311R0085	SENSOR TEMPERATURA DEL AGUA ENTR	31	75311R0034	BOQUILLA DE AGUA
25	75311R0086	SENSOR TEMPERATURA AMBIENTE	32	75311R0033	MANGUERA DE DRENAJE

CODIGO **WH000584, WH000586, WH000594, WH000596**DESCRIPCION: **BOMBA DE CALOR TD 9 - 12****OBSERVACIONES**

POS	CODIGO	OBSERVACIONES
1	* 75311R0057	PARA: WH000584, WH000594
1	* 75311R0541	PARA: WH000586, WH000596
2	* 75311R0056	PARA: WH000584, WH000594
2	* 75311R0539	PARA: WH000586, WH000596
6	* 75311R0069	PARA: WH000584, WH000586
6	* 75311R0123	PARA: WH000594, WH000596
9	* 75311R0066	PARA: WH000584, WH000586
9	* 75311R0122	PARA: WH000594, WH000596
10	* 75311R0042A	PARA: WH000594, WH000596
10	* 75311R0042B	PARA: WH000584, WH000586
12	* 75311R0064	PARA: WH000584, WH000594
12	* 75311R0529	PARA: WH000586, WH000596
15	* 75311R0061	PARA: WH000584, WH000594
15	* 75311R0528	PARA: WH000586, WH000596
17	* 75311R0059	PARA: WH000584
17	* 75311R0121	PARA: WH000594
17	* 75311R0527	PARA: WH000586
17	* 75311R0542	PARA: WH000596
18	* 75311R0052	PARA: WH000594, WH000596
18	* 75311R0138	PARA: WH000584, WH000586
19	* 75311R0058	PARA: WH000584, WH000586
19	* 75311R0120	PARA: WH000594, WH000596

CODE **WH000584, WH000586, WH000594, WH000596**

 DESCRIPTION: **POMPE À CHALEUR TD 9 - 12**

FRANCAIS

POS	CODE	DESCRIPTION	QUANTITE	POS	CODE	DESCRIPTION	QUANTITE
1	* 75311R0057	RÉACTEUR		11	75311R0065	PANNEAU DÉCORATIF RAL 9006	
1	* 75311R0541	RÉACTEUR		12	* 75311R0064	COMPRESSEUR	
2	* 75311R0056	PLAQUE FILTRE		12	* 75311R0529	COMPRESSEUR	
2	* 75311R0539	PLAQUE FILTRE		13	75311R0082	DÉTECTEUR BASSE PRESSION	
3	75311R0055	PLAQUE FILTRE		14	75311R0081	DÉTECTEUR HAUTE PRESSION	
4	75311R0054D	PLAQUE BASE PCB		15	* 75311R0061	ÉCHANGEUR EN TITANE	
5	75311R0136	FILTRE		15	* 75311R0528	ÉCHANGEUR EN TITANE	
6	* 75311R0069	COLONNE DE SUPPORT DORSAL		16	75311R0080	CONTROLEUR DE DEBIT	
6	* 75311R0123	COLONNE DE SUPPORT DORSAL		17	* 75311R0059	PANNEAU ARRIÈRE	
7	75311R0068	MOTEUR VENTILATEUR		17	* 75311R0121	PANNEAU ARRIÈRE	
8	75311R0067	PALES VENTILATEUR		17	* 75311R0527	PANNEAU ARRIÈRE	
9	* 75311R0066	PANNEAU AVANT		17	* 75311R0542	PANNEAU ARRIÈRE	
9	* 75311R0122	PANNEAU AVANT		18	* 75311R0052	PRESSE-ÉTOUPE POUR CÂBLE	

* VOIR FICHE D'OBSERVATIONS

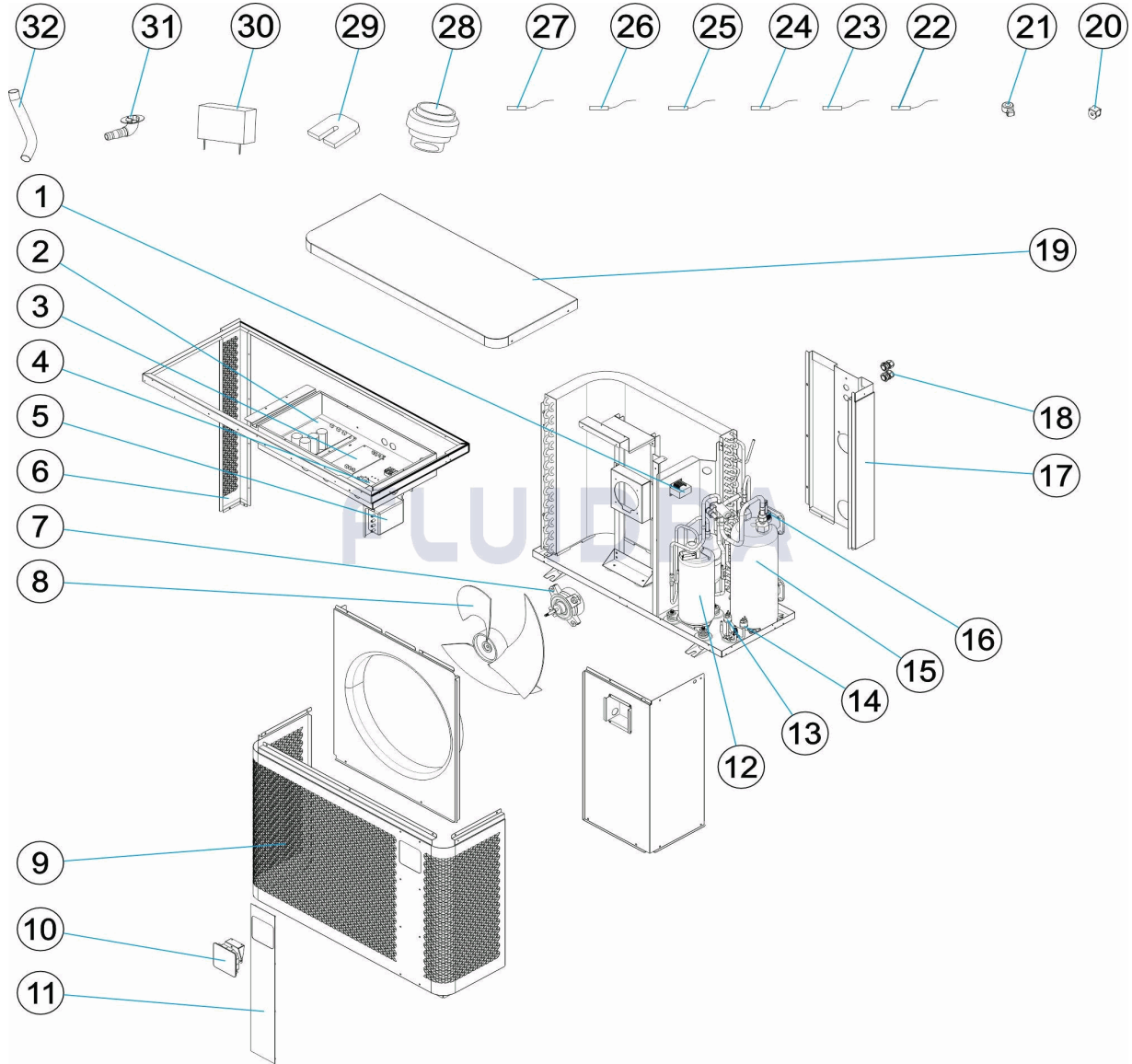
CODE **WH000584, WH000586, WH000594, WH000596**DESCRIPTION: **POMPE À CHALEUR TD 9 - 12**

10	* 75311R0042A	CONTRÔLEUR	18	* 75311R0138	PRESSE-ÉTOUPE POUR CÂBLE
10	* 75311R0042B	CONTRÔLEUR	19	* 75311R0058	COUVERCLE SUPÉRIEUR
19	* 75311R0120	PANNEAU SUPÉRIEUR	26	75311R0087	TEMPÉRATURE DU SERPENTIN DE L'ÉVAP
20	75311R0083	4-WAY VALVE	27	75311R0088	SONDE DE TEMPÉRATURE DE DÉCHARGE
21	75336R0025	BOBINE EEV	28	75311R0032	ENSEMBLES CONNEXION D'EAU
22	75311R0074	CAPTEUR DE TEMPÉRATURE D'ASPIRATIC	29	75311R0035	PIEDS ANTI-VIBRATION
23	75311R0084	SONDE DE TEMPÉRATURE D'EAU DE SOR	30	75311R0135	COUVERTURE D'HIVERNAGE
24	75311R0085	CAPTEUR DE TEMPÉRATURE D'EAU D'EN	31	75311R0034	BUSE D'EAU
25	75311R0086	CAPTEUR TEMPÉRATURE AMBIANT	32	75311R0033	TUYAU DE DRAINAGE

CODE **WH000584, WH000586, WH000594, WH000596**DESCRIPTION: **POMPE À CHALEUR TD 9 - 12****OBSERVATIONS**

POS	CODE	OBSERVATIONS
1	* 75311R0057	POUR: WH000584, WH000594
1	* 75311R0541	POUR: WH000586, WH000596
2	* 75311R0056	POUR: WH000584, WH000594
2	* 75311R0539	POUR: WH000586, WH000596
6	* 75311R0069	POUR: WH000584, WH000586
6	* 75311R0123	POUR: WH000594, WH000596
9	* 75311R0066	POUR: WH000584, WH000586
9	* 75311R0122	POUR: WH000594, WH000596
10	* 75311R0042A	POUR: WH000594, WH000596
10	* 75311R0042B	POUR: WH000584, WH000586
12	* 75311R0064	POUR: WH000584, WH000594
12	* 75311R0529	POUR: WH000586, WH000596
15	* 75311R0061	POUR: WH000584, WH000594
15	* 75311R0528	POUR: WH000586, WH000596
17	* 75311R0059	POUR: WH000584
17	* 75311R0121	POUR: WH000594
17	* 75311R0527	POUR: WH000586
17	* 75311R0542	POUR: WH000596
18	* 75311R0052	POUR: WH000594, WH000596
18	* 75311R0138	POUR: WH000584, WH000586
19	* 75311R0058	POUR: WH000584, WH000586
19	* 75311R0120	POUR: WH000594, WH000596

CODE **WH000584, WH000586, WH000594, WH000596**

 DESCRIPTION: **HEAT PUMP TD 9 - 12**

ENGLISH

POS	CODE	DESCRIPTION	QUANTITY	POS	CODE	DESCRIPTION	QUANTITY
1	* 75311R0057	REACTOR		11	75311R0065	DECORATIVE PANEL RAL 9006	
1	* 75311R0541	REACTOR		12	* 75311R0064	COMPRESSOR	
2	* 75311R0056	FILTER BOARD		12	* 75311R0529	COMPRESSOR	
2	* 75311R0539	FILTER BOARD		13	75311R0082	LOW PRESSURE SWITCH	
3	75311R0055	FILTER BOARD		14	75311R0081	HIGH PRESSURE SWITCH	
4	75311R0054D	MAIN PCB		15	* 75311R0061	TITANIUM HEAT EXCHANGER	
5	75311R0136	FILTER		15	* 75311R0528	TITANIUM HEAT EXCHANGER	
6	* 75311R0069	BACK SUPPORT COLUMN		16	75311R0080	WATER FLOW SWITCH	
6	* 75311R0123	BACK SUPPORT COLUMN		17	* 75311R0059	BACK PANEL	
7	75311R0068	DC FAN MOTOR		17	* 75311R0121	BACK PANEL	
8	75311R0067	FAN BLADE		17	* 75311R0527	BACK PANEL	
9	* 75311R0066	FRONT PANEL		17	* 75311R0542	BACK PANEL	
9	* 75311R0122	FRONT PANEL		18	* 75311R0052	CABLE GLANDS	

* SEE OBSERVATIONS SHEET

CODE **WH000584, WH000586, WH000594, WH000596**

DESCRIPTION: **HEAT PUMP TD 9 - 12**

10	* 75311R0042A	CONTROLLER	18	* 75311R0138	CABLE GLANDS
10	* 75311R0042B	CONTROLLER	19	* 75311R0058	TOP COVER
19	* 75311R0120	TOP PANEL	26	75311R0087	EVAPORATOR COIL TEMP. SENSOR
20	75311R0083	4-WAY VALVE COIL	27	75311R0088	GAS DISCHARGE TEMP. SENSOR
21	75336R0025	EEV COIL	28	75311R0032	WATER CONNECTION SETS
22	75311R0074	GAS SUCTION TEMP. SENSOR	29	75311R0035	ANTI-VIBRATION FEET
23	75311R0084	OUTLET WATER TEMP. SENSOR	30	75311R0135	WINTER COVER
24	75311R0085	INLET WATER TEMP. SENSOR	31	75311R0034	WATER NOZZLE
25	75311R0086	AMBIENT TEMP. SENSOR	32	75311R0033	DRAIN HOSE

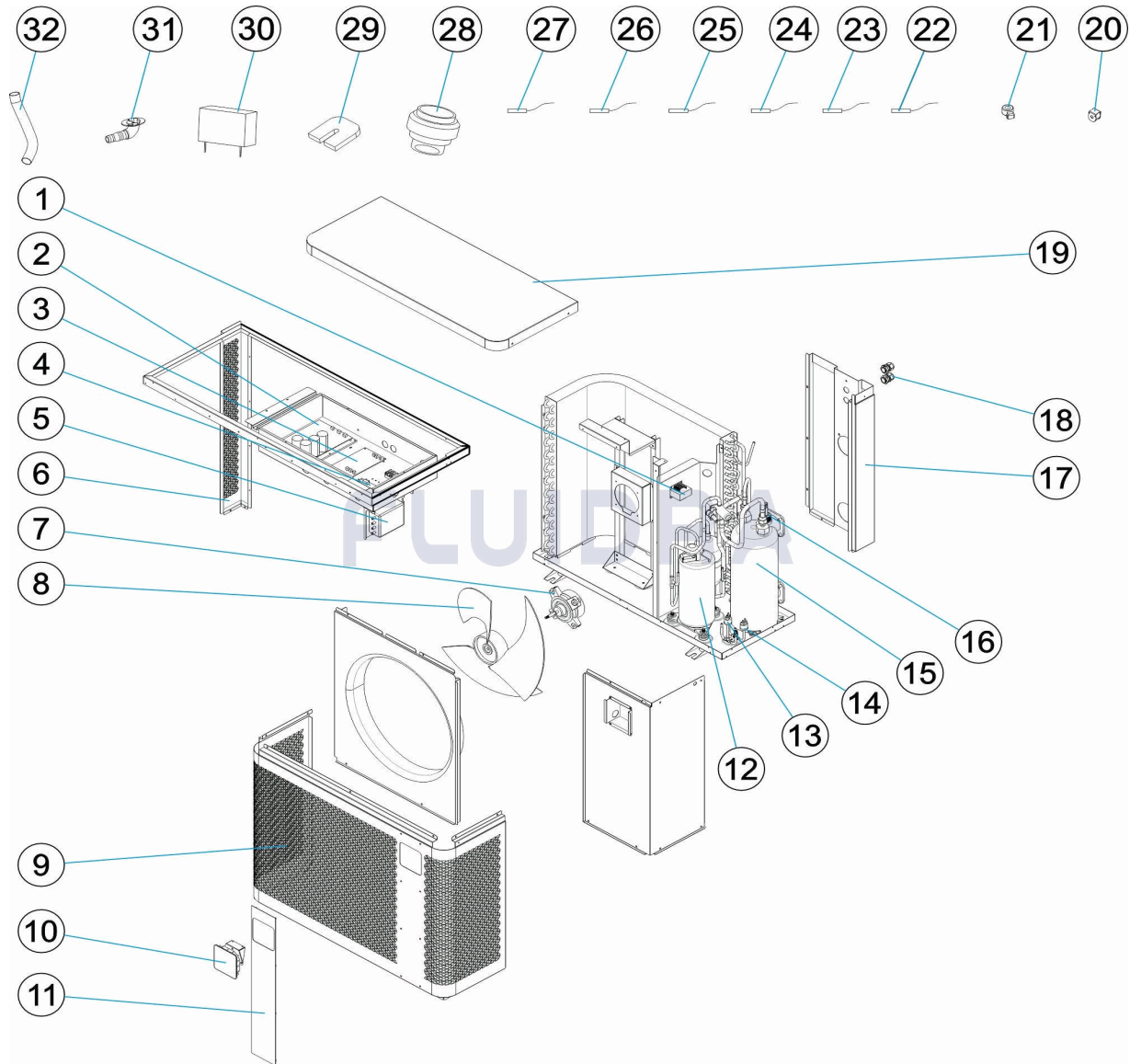
CODE **WH000584, WH000586, WH000594, WH000596**

DESCRIPTION: **HEAT PUMP TD 9 - 12**

OBSERVATIONS

POS	CODE	OBSERVATIONS
1	* 75311R0057	FOR: WH000584, WH000594
1	* 75311R0541	FOR: WH000586, WH000596
2	* 75311R0056	FOR: WH000584, WH000594
2	* 75311R0539	FOR: WH000586, WH000596
6	* 75311R0069	FOR: WH000584, WH000586
6	* 75311R0123	FOR: WH000594, WH000596
9	* 75311R0066	FOR: WH000584, WH000586
9	* 75311R0122	FOR: WH000594, WH000596
10	* 75311R0042A	FOR: WH000594, WH000596
10	* 75311R0042B	FOR: WH000584, WH000586
12	* 75311R0064	FOR: WH000584, WH000594
12	* 75311R0529	FOR: WH000586, WH000596
15	* 75311R0061	FOR: WH000584, WH000594
15	* 75311R0528	FOR: WH000586, WH000596
17	* 75311R0059	FOR: WH000584
17	* 75311R0121	FOR: WH000594
17	* 75311R0527	FOR: WH000586
17	* 75311R0542	FOR: WH000596
18	* 75311R0052	FOR: WH000594, WH000596
18	* 75311R0138	FOR: WH000584, WH000586
19	* 75311R0058	FOR: WH000584, WH000586
19	* 75311R0120	FOR: WH000594, WH000596

CODICE **WH000584, WH000586, WH000594, WH000596**

 DESCRIZIONE: **POMPA DI CALORE TD 9 - 12**

ITALIANO

POS	CODICE	DESCRIZIONE	QUANTITA'	POS	CODICE	DESCRIZIONE	QUANTITA'
1	* 75311R0057	REATTORE		11	75311R0065	PANNELLO DECORATIVO RAL 9006	
1	* 75311R0541	REATTORE		12	* 75311R0064	COMPRESSORE	
2	* 75311R0056	PIASTRA FILTRO		12	* 75311R0529	COMPRESSORE	
2	* 75311R0539	PIASTRA FILTRO		13	75311R0082	RILEVATORE BASSO PRESSIONE	
3	75311R0055	PIASTRA FILTRO		14	75311R0081	RILEVATORE DI ALTA PRESSIONE	
4	75311R0054D	SCHEDA BASE PCB		15	* 75311R0061	INTERCAMBIATORE IN TITANIO	
5	75311R0136	FILTRO		15	* 75311R0528	INTERCAMBIATORE IN TITANIO	
6	* 75311R0069	COLONNA DI SOSTEGNO DELLO SCHIENA		16	75311R0080	FLUSSOSTATO	
6	* 75311R0123	COLONNA DI SOSTEGNO DELLO SCHIENA		17	* 75311R0059	PANNELLO INDIETRO	
7	75311R0068	MOTORE VENTOLA		17	* 75311R0121	PANNELLO INDIETRO	
8	75311R0067	PALE VENTILATORE		17	* 75311R0527	PANNELLO INDIETRO	
9	* 75311R0066	PANNELLO FRONTALE		17	* 75311R0542	PANNELLO INDIETRO	
9	* 75311R0122	PANNELLO FRONTALE		18	* 75311R0052	PREMISTOPPA	

* SI FACCIA RIFERIMENTO AL FOGLIO DELLE OSSERVAZIONI

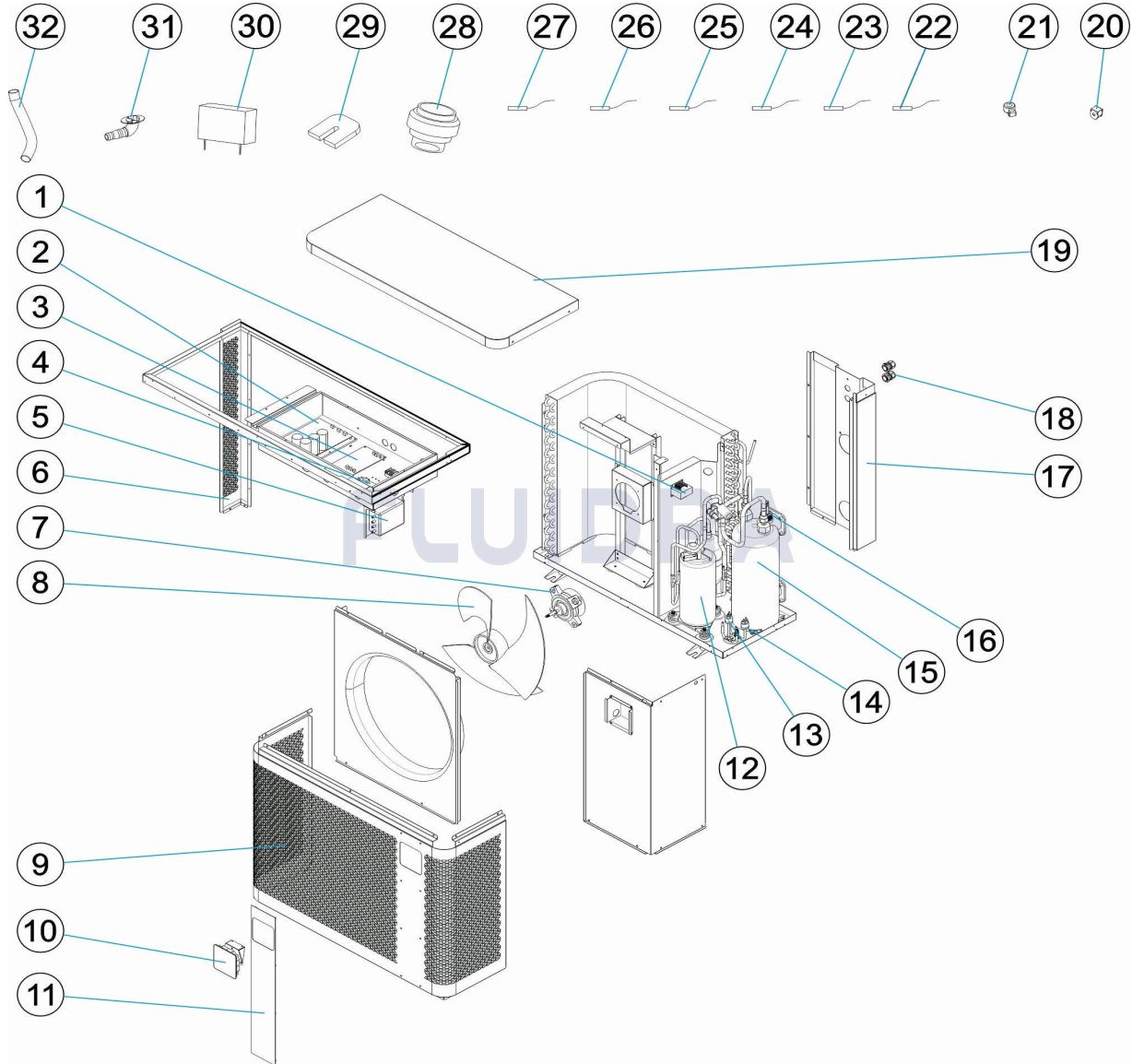
CODICE **WH000584, WH000586, WH000594, WH000596**DESCRIZIONE: **POMPA DI CALORE TD 9 - 12**

10	* 75311R0042A	CONTROLADOR	18	* 75311R0138	PREMISTOPPA
10	* 75311R0042B	CONTROLADOR	19	* 75311R0058	COPERCHIO SUPERIORE
19	* 75311R0120	PANNELLO SUPERIORE	26	75311R0087	TEMP. BOBINA EVAPORATORE SENSORE
20	75311R0083	VALVOLA A 4 VIE	27	75311R0088	SENSORE TEMPERATURA SCARICO GAS
21	75336R0025	BOBINA EEV	28	75311R0032	SET CONNESSIONE DELL'ACQUA
22	75311R0074	SENSORE TEMPERATURAASPIRAZIONE C	29	75311R0035	PIEDINI ANTIVIBRAZIONE
23	75311R0084	SENSORE TEMPERATURAACQUA IN USCI	30	75311R0135	COPERTA DI INVERNO
24	75311R0085	SENSORE TEMPERATURAACQUA IN INGR	31	75311R0034	UGELLO DELL'ACQUA
25	75311R0086	SENSORE TEMPERATURAAMBIENTE	32	75311R0033	TUBO DI SCARICO

CODICE **WH000584, WH000586, WH000594, WH000596**DESCRIZIONE: **POMPA DI CALORE TD 9 - 12****OSSERVAZIONI**

POS	CODICE	OSSERVAZIONI
1	* 75311R0057	PER: WH000584, WH000594
1	* 75311R0541	PER: WH000586, WH000596
2	* 75311R0056	PER: WH000584, WH000594
2	* 75311R0539	PER: WH000586, WH000596
6	* 75311R0069	PER: WH000584, WH000586
6	* 75311R0123	PER: WH000594, WH000596
9	* 75311R0066	PER: WH000584, WH000586
9	* 75311R0122	PER: WH000594, WH000596
10	* 75311R0042A	PER: WH000594, WH000596
10	* 75311R0042B	PER: WH000584, WH000586
12	* 75311R0064	PER: WH000584, WH000594
12	* 75311R0529	PER: WH000586, WH000596
15	* 75311R0061	PER: WH000584, WH000594
15	* 75311R0528	PER: WH000586, WH000596
17	* 75311R0059	PER: WH000584
17	* 75311R0121	PER: WH000594
17	* 75311R0527	PER: WH000586
17	* 75311R0542	PER: WH000596
18	* 75311R0052	PER: WH000594, WH000596
18	* 75311R0138	PER: WH000584, WH000586
19	* 75311R0058	PER: WH000584, WH000586
19	* 75311R0120	PER: WH000594, WH000596

CODE **WH000584, WH000586, WH000594, WH000596**

 BESCHREIBUNG: **WÄRMEPUMPE TD 9 - 12**

DEUTSCH

POS	CODE	BESCHREIBUNG	MENGE	POS	CODE	BESCHREIBUNG	MENGE
1	* 75311R0057	REAKTOR		11	75311R0065	DEKORPLATTE RAL 9006	
1	* 75311R0541	REAKTOR		12	* 75311R0064	KOMPRESSOR	
2	* 75311R0056	FILTERPLATTE		12	* 75311R0529	KOMPRESSOR	
2	* 75311R0539	FILTERPLATTE		13	75311R0082	DETEKTOR NIEDERDRUCK	
3	75311R0055	FILTERPLATTE		14	75311R0081	DETEKTOR HOCHDRUCK	
4	75311R0054D	BASISPLATTE PCB		15	* 75311R0061	WÄRMEÜBERTRAGER TITANIUM	
5	75311R0136	FILTER		15	* 75311R0528	WÄRMEÜBERTRAGER TITANIUM	
6	* 75311R0069	HINTERE SÄULENSTÜTZE		16	75311R0080	DURCHFLUSSMESSER	
6	* 75311R0123	HINTERE SÄULENSTÜTZE		17	* 75311R0059	FÜHRERHAUSRÜCKWAND	
7	75311R0068	LÜFTERMOTOR		17	* 75311R0121	FÜHRERHAUSRÜCKWAND	
8	75311R0067	ROTORBLÄTTER VENTILATOR		17	* 75311R0527	FÜHRERHAUSRÜCKWAND	
9	* 75311R0066	FRONTPLATTE		17	* 75311R0542	FÜHRERHAUSRÜCKWAND	
9	* 75311R0122	FRONTPLATTE		18	* 75311R0052	KABELEINFÜHRUNG	

* SIEHE ANMERKUGSBLATT

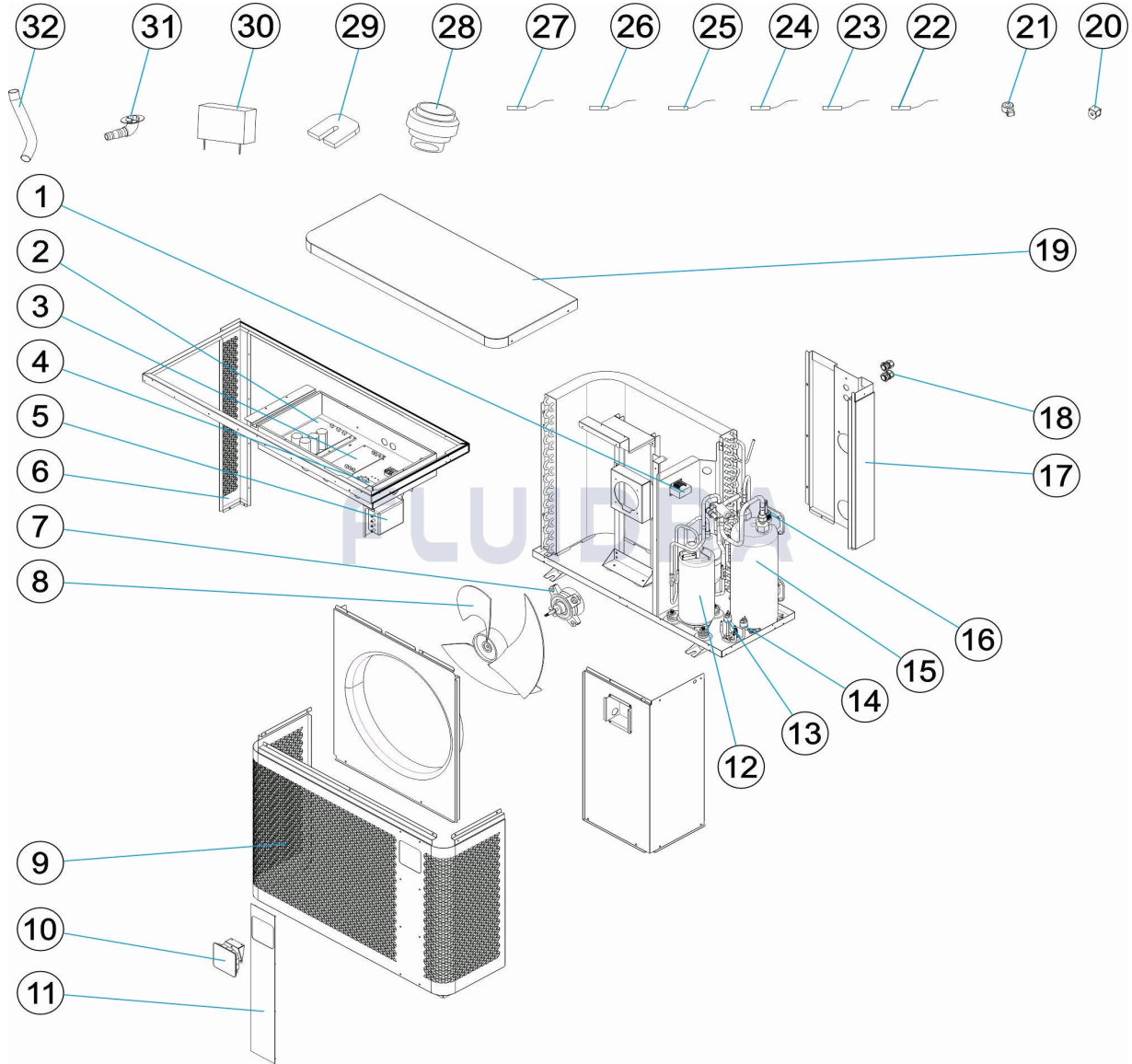
CODE **WH000584, WH000586, WH000594, WH000596**BESCHREIBUNG: **WÄRMEPUMPE TD 9 - 12**

10	* 75311R0042A	STEUERUNG	18	* 75311R0138	KABELEINFÜHRUNG
10	* 75311R0042B	STEUERUNG	19	* 75311R0058	ABDECKUNG OBEN
19	* 75311R0120	ABDECKUNG	26	75311R0087	VERDAMPFERSCHLANGENTEMP. SENSOR
20	75311R0083	4-WEGE-VENTIL	27	75311R0088	GASAUSTRITTSTEMPERATURSENSOR
21	75336R0025	SPULE EEV	28	75311R0032	WASSERANSCHLUSS SET
22	75311R0074	GASANSAUGTEMPERATURSENSOR	29	75311R0035	ANTI-VIBRATIONSFÜSSE
23	75311R0084	AUSLASSWASSERTEMPERATURSENSOR	30	75311R0135	WINTERDECKEL
24	75311R0085	EINLASSWASSERTEMPERATURSENSOR	31	75311R0034	WASSERDÜSE
25	75311R0086	UMGEBUNGS TEMPERATURFÜHLER	32	75311R0033	ABFLUSSSCHLAUCH

CODE **WH000584, WH000586, WH000594, WH000596**BESCHREIBUNG: **WÄRMEPUMPE TD 9 - 12****HINWEISE**

POS	CODE	HINWEISE
1	* 75311R0057	FÜR: WH000584, WH000594
1	* 75311R0541	FÜR: WH000586, WH000596
2	* 75311R0056	FÜR: WH000584, WH000594
2	* 75311R0539	FÜR: WH000586, WH000596
6	* 75311R0069	FÜR: WH000584, WH000586
6	* 75311R0123	FÜR: WH000594, WH000596
9	* 75311R0066	FÜR: WH000584, WH000586
9	* 75311R0122	FÜR: WH000594, WH000596
10	* 75311R0042A	FÜR: WH000594, WH000596
10	* 75311R0042B	FÜR: WH000584, WH000586
12	* 75311R0064	FÜR: WH000584, WH000594
12	* 75311R0529	FÜR: WH000586, WH000596
15	* 75311R0061	FÜR: WH000584, WH000594
15	* 75311R0528	FÜR: WH000586, WH000596
17	* 75311R0059	FÜR: WH000584
17	* 75311R0121	FÜR: WH000594
17	* 75311R0527	FÜR: WH000586
17	* 75311R0542	FÜR: WH000596
18	* 75311R0052	FÜR: WH000594, WH000596
18	* 75311R0138	FÜR: WH000584, WH000586
19	* 75311R0058	FÜR: WH000584, WH000586
19	* 75311R0120	FÜR: WH000594, WH000596

CODIGO **WH000584, WH000586, WH000594, WH000596**

 DESCRIÇÃO: **BOMBA DE CALOR TD 9 - 12**


PORTUGUES

POS	CODIGO	DESCRIÇÃO	JANTIDADE	POS	CODIGO	DESCRIÇÃO	JANTIDADE
1	* 75311R0057	REACTOR		11	75311R0065	PAINEL DECORATIVO RAL 9006	
1	* 75311R0541	REACTOR		12	* 75311R0064	COMPRESSOR	
2	* 75311R0056	FILTERPLATTE		12	* 75311R0529	COMPRESSOR	
2	* 75311R0539	FILTERPLATTE		13	75311R0082	DETECTOR DE BAIXA PRESSÃO	
3	75311R0055	FILTERPLATTE		14	75311R0081	DETECTOR DE ALTA PRESSÃO	
4	75311R0054D	PLACA BASE PCB		15	* 75311R0061	PERMUTADOR DE TITÂNIO	
5	75311R0136	FILTER		15	* 75311R0528	PERMUTADOR DE TITÂNIO	
6	* 75311R0069	COLUNA DE APOIO TRASEIRO		16	75311R0080	FLUXO-ESTATO	
6	* 75311R0123	COLUNA DE APOIO TRASEIRO		17	* 75311R0059	PAINEL TRASEIRO	
7	75311R0068	MOTOR VENTILADOR		17	* 75311R0121	PAINEL TRASEIRO	
8	75311R0067	PÁS VENTILADOR		17	* 75311R0527	PAINEL TRASEIRO	
9	* 75311R0066	PAINEL FRONTAL		17	* 75311R0542	PAINEL TRASEIRO	
9	* 75311R0122	PAINEL FRONTAL		18	* 75311R0052	PRENSA-ESTOPAS PARA CABO	

* VEJA A FICHA DE OBSERVAÇÕES

CODIGO **WH000584, WH000586, WH000594, WH000596**DESCRICAÇÃO: **BOMBA DE CALOR TD 9 - 12**

10	* 75311R0042A	CONTROLLATORE	18	* 75311R0138	PRENSA-ESTOPAS PARA CABO
10	* 75311R0042B	CONTROLLATORE	19	* 75311R0058	TAMPA SUPERIOR
19	* 75311R0120	PANNEAU SUPERIEUR	26	75311R0087	TEMPERATURA DA BOBINA DO EVAPORAD
20	75311R0083	VÁLVULA DE 4 VIAS	27	75311R0088	SENSOR DE TEMPERATURA DE DESCARG,
21	75336R0025	BOBINA EEV	28	75311R0032	CONJECTIVOS CONEXÃO DE ÁGUA
22	75311R0074	SENSOR DE TEMPERATURA DE SUÇÇÃO I	29	75311R0035	PÉS ANTIVIBRAÇÃO
23	75311R0084	SENSOR DE TEMPERATURA DA ÁGUA DE :	30	75311R0135	COBERTURA DE INVERNO
24	75311R0085	SENSOR DE TEMPERATURA DA ÁGUA DE	31	75311R0034	BOCAL DE ÁGUA
25	75311R0086	SENSOR TEMPERATURA AMBIENTE	32	75311R0033	MANGUEIRA DE DRENAGEM

CODIGO **WH000584, WH000586, WH000594, WH000596**DESCRIÇÃO: **BOMBA DE CALOR TD 9 - 12****OBSERVAÇÕES**

POS	CODIGO	OBSERVAÇÕES
1	* 75311R0057	PARA: WH000584, WH000594
1	* 75311R0541	PARA: WH000586, WH000596
2	* 75311R0056	PARA: WH000584, WH000594
2	* 75311R0539	PARA: WH000586, WH000596
6	* 75311R0069	PARA: WH000584, WH000586
6	* 75311R0123	PARA: WH000594, WH000596
9	* 75311R0066	PARA: WH000584, WH000586
9	* 75311R0122	PARA: WH000594, WH000596
10	* 75311R0042A	PARA: WH000594, WH000596
10	* 75311R0042B	PARA: WH000584, WH000586
12	* 75311R0064	PARA: WH000584, WH000594
12	* 75311R0529	PARA: WH000586, WH000596
15	* 75311R0061	PARA: WH000584, WH000594
15	* 75311R0528	PARA: WH000586, WH000596
17	* 75311R0059	PARA: WH000584
17	* 75311R0121	PARA: WH000594
17	* 75311R0527	PARA: WH000586
17	* 75311R0542	PARA: WH000596
18	* 75311R0052	PARA: WH000594, WH000596
18	* 75311R0138	PARA: WH000584, WH000586
19	* 75311R0058	PARA: WH000584, WH000586
19	* 75311R0120	PARA: WH000594, WH000596