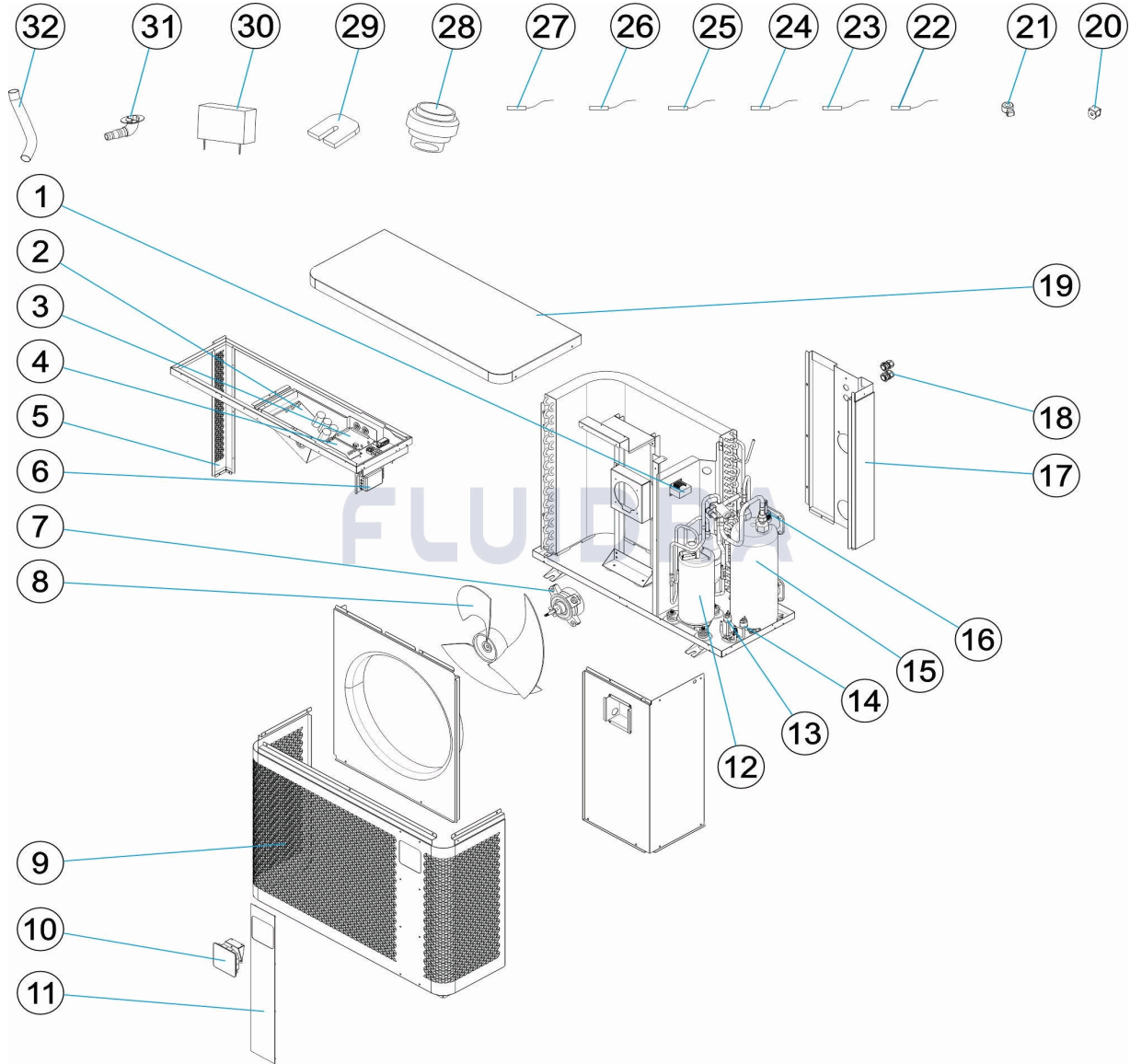


CODIGO **WH000582, WH000592**

 DESCRIPCION: **BOMBA DE CALOR TD 8**

ESPAÑOL

POS	CODIGO	DESCRIPCION	CANTIDAD	POS	CODIGO	DESCRIPCION	CANTIDAD
1	75311R0057	REACTOR		13	75336R0007	DETECTOR DE PRESIÓN BAJA	
2	75311R0129	PLACA FILTRO		14	75336R0008	DETECTOR DE PRESIÓN ALTA	
3	75311R0054B	PLACA BASE PCB		15	75340R0006	INTERCAMBIADOR DE TITANIO	
4	75311R0055	PLACA FILTRO		16	75336R0005	FLUJOSTATO	
5	* 75311R0051	COLUMNA SOPORTE TRASERO		17	* 75311R0053	PANEL TRASERO	
5	* 75311R0118	COLUMNA SOPORTE TRASERO		17	* 75311R0119	PANEL TRASERO	
6	75311R0130	FILTRO		18	* 75311R0138	PRENSAESTOPAS PARA CABLE	
7	75340R0015	MOTOR VENTILADOR		18	* 75311R0052	PRENSAESTOPAS PARA CABLE	
8	75340R0014	ASPAS VENTILADOR		19	* 75311R0047	TAPA SUPERIOR	
9	* 75311R0050	PANEL FRONTAL		19	* 75311R0115	PANEL SUPERIOR	
9	* 75311R0117	PANEL FRONTAL		20	75336R0023	BOBINA VALVULA DE 4 VIAS	
10	* 75311R0042B	CONTROLADOR		21	75336R0025	BOBINA EEV	
10	* 75311R0042A	CONTROLADOR		22	75311R0131	SENSOR DE TEMPERATURA DE ASPIRACIÓ	

* NOTA OBSERVACIONES

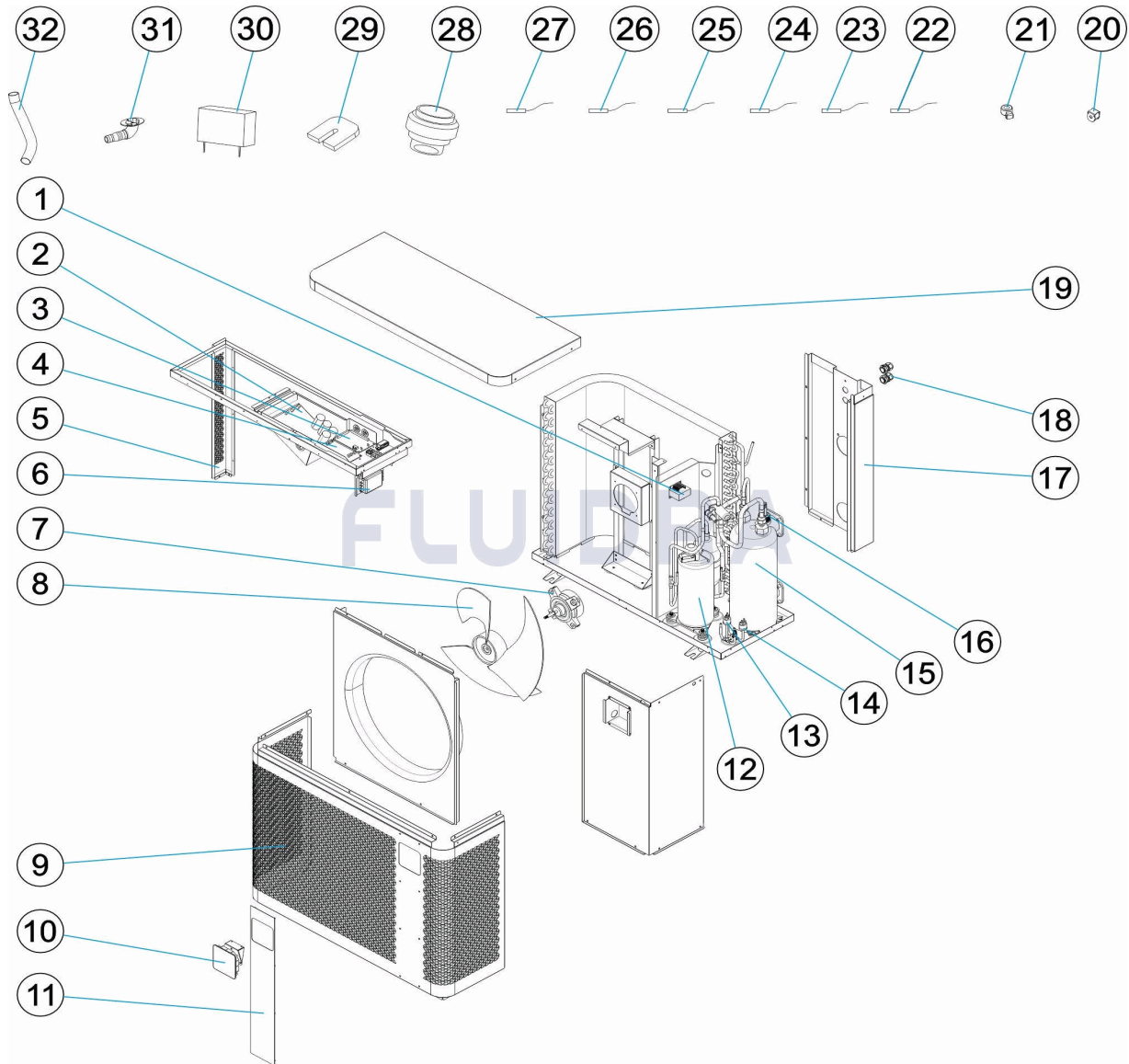
CODIGO **WH000582, WH000592**DESCRIPCION: **BOMBA DE CALOR TD 8**

11	75311R0049	PANEL DECORATIVO RAL 9006	23	75311R0084	SENSOR DE TEMPERATURA DEL AGUA DE
12	75340R0009	COMPRESOR	24	75311R0132	SENSOR DE TEMPERATURA DEL AGUA EN
25	75311R0086	SENSOR TEMPERATURA AMBIENTE	29	75311R0035	PIES ANTIVIBRATORIOS
26	75311R0133	TEMP DEL SERPENTÍN EVAPORADOR. SE	30	75340R0036	CUBIERTA DE INVIERNO
27	75311R0134	SENSOR DE TEMPERATURA DE DESCARG	31	75311R0034	BOQUILLA DE AGUA
28	75311R0032	KIT DE CONEXIÓN AGUA	32	75311R0033	MANGUERA DE DRENAJE

CODIGO **WH000582, WH000592**DESCRIPCION: **BOMBA DE CALOR TD 8****OBSERVACIONES**

POS	CODIGO	OBSERVACIONES
5	* 75311R0051	PARA: WH000582
5	* 75311R0118	PARA: WH000592
9	* 75311R0050	PARA: WH000582
9	* 75311R0117	PARA: WH000592
10	* 75311R0042B	PARA: WH000582
10	* 75311R0042A	PARA: WH000592
17	* 75311R0053	PARA: WH000582
17	* 75311R0119	PARA: WH000592
18	* 75311R0138	PARA: WH000582
18	* 75311R0052	PARA: WH000592
19	* 75311R0047	PARA: WH000582
19	* 75311R0115	PARA: WH000592

CODE **WH000582, WH000592**

 DESCRIPTION: **POMPE À CHALEUR TD 8**

FRANCAIS

POS	CODE	DESCRIPTION	QUANTITE	POS	CODE	DESCRIPTION	QUANTITE
1	75311R0057	RÉACTEUR		13	75336R0007	DÉTECTEUR BASSE PRESSION	
2	75311R0129	PLAQUE FILTRE		14	75336R0008	DÉTECTEUR HAUTE PRESSION	
3	75311R0054B	PLAQUE BASE PCB		15	75340R0006	ÉCHANGEUR EN TITANE	
4	75311R0055	PLAQUE FILTRE		16	75336R0005	CONTROLEUR DE DEBIT	
5	* 75311R0051	COLONNE DE SUPPORT DORSAL		17	* 75311R0053	PANNEAU ARRIÈRE	
5	* 75311R0118	COLONNE DE SUPPORT DORSAL		17	* 75311R0119	PANNEAU ARRIÈRE	
6	75311R0130	FILTRE		18	* 75311R0138	PRESSE-ÉTOUPE POUR CÂBLE	
7	75340R0015	MOTEUR VENTILATEUR		18	* 75311R0052	PRESSE-ÉTOUPE POUR CÂBLE	
8	75340R0014	PALES VENTILATEUR		19	* 75311R0047	COUVERCLE SUPÉRIEUR	
9	* 75311R0050	PANNEAU AVANT		19	* 75311R0115	PANNEAU SUPÉRIEUR	
9	* 75311R0117	PANNEAU AVANT		20	75336R0023	BOBINE VANNE 4 VOIES	
10	* 75311R0042B	CONTRÔLEUR		21	75336R0025	BOBINE EEV	
10	* 75311R0042A	CONTRÔLEUR		22	75311R0131	CAPTEUR DE TEMPÉRATURE D'ASPIRATIO	

* VOIR FICHE D'OBSERVATIONS

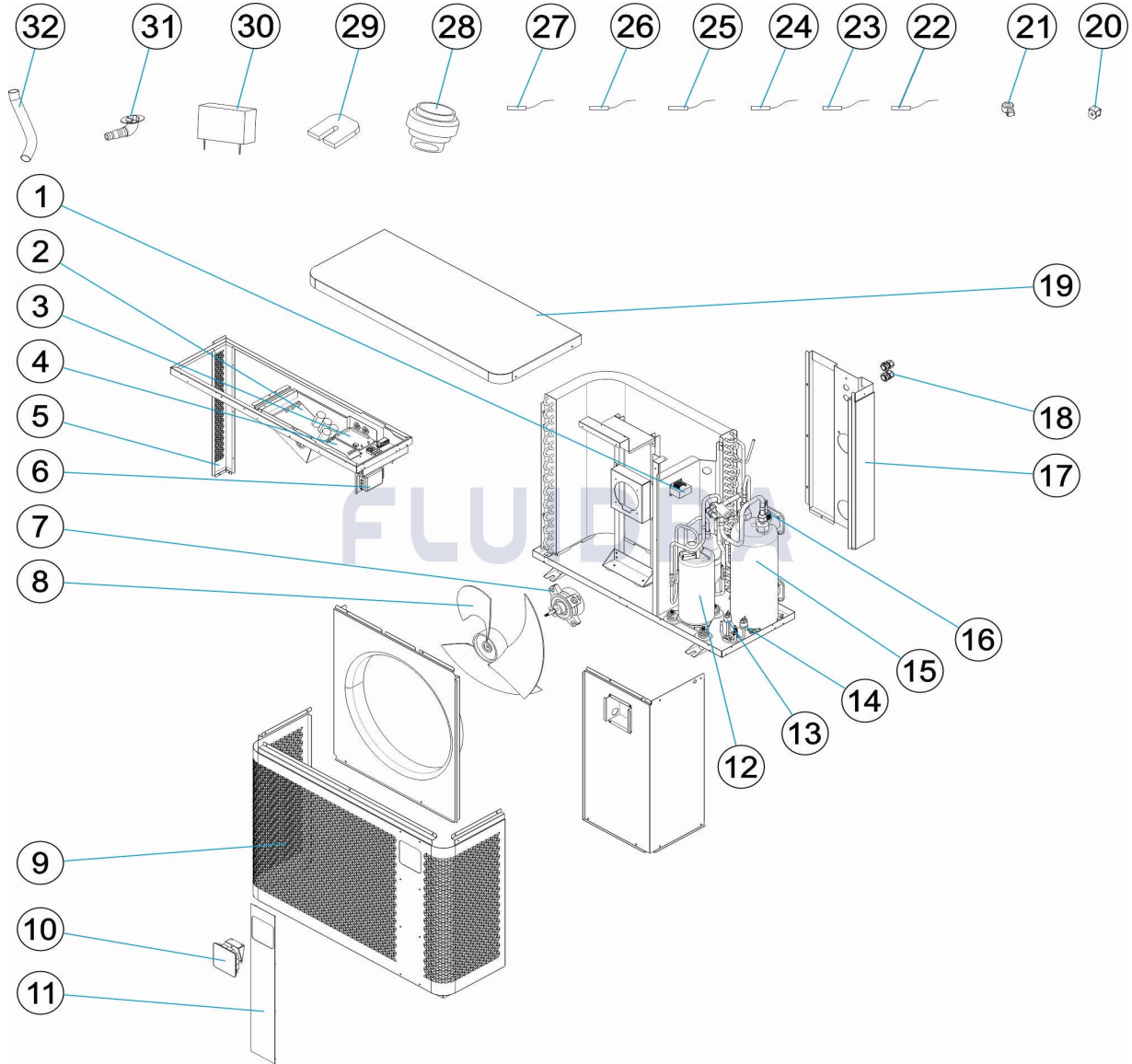
CODE **WH000582, WH000592**DESCRIPTION: **POMPE À CHALEUR TD 8**

11	75311R0049	PANNEAU DÉCORATIF RAL 9006	23	75311R0084	SONDE DE TEMPÉRATURE D'EAU DE SORTI
12	75340R0009	COMPRESSEUR	24	75311R0132	CAPTEUR DE TEMPÉRATURE D'EAU D'ENT
25	75311R0086	CAPTEUR TEMPÉRATURE AMBIANT	29	75311R0035	PIEDS ANTI-VIBRATION
26	75311R0133	TEMPÉRATURE DU SERPENTIN DE L'ÉVAF	30	75340R0036	COUVERTURE D'HIVERNAGE
27	75311R0134	SONDE DE TEMPÉRATURE DE DÉCHARGE	31	75311R0034	BUSE D'EAU
28	75311R0032	ENSEMBLES CONNEXION D'EAU	32	75311R0033	TUYAU DE DRAINAGE

CODE **WH000582, WH000592**DESCRIPTION: **POMPE À CHALEUR TD 8****OBSERVATIONS**

POS	CODE	OBSERVATIONS
5	* 75311R0051	POUR: WH000582
5	* 75311R0118	POUR: WH000592
9	* 75311R0050	POUR: WH000582
9	* 75311R0117	POUR: WH000592
10	* 75311R0042B	POUR: WH000582
10	* 75311R0042A	POUR: WH000592
17	* 75311R0053	POUR: WH000582
17	* 75311R0119	POUR: WH000592
18	* 75311R0138	POUR: WH000582
18	* 75311R0052	POUR: WH000592
19	* 75311R0047	POUR: WH000582
19	* 75311R0115	POUR: WH000592

CODE **WH000582, WH000592**

 DESCRIPTION: **HEAT PUMP TD 8**

ENGLISH

POS	CODE	DESCRIPTION	QUANTITY	POS	CODE	DESCRIPTION	QUANTITY
1	75311R0057	REACTOR		13	75336R0007	LOW PRESSURE SWITCH	
2	75311R0129	FILTER BOARD		14	75336R0008	HIGH PRESSURE SWITCH	
3	75311R0054B	MAIN PCB		15	75340R0006	TITANIUM HEAT EXCHANGER	
4	75311R0055	FILTER BOARD		16	75336R0005	WATER FLOW SWITCH	
5	* 75311R0051	BACK SUPPORT COLUMN		17	* 75311R0053	BACK PANEL	
5	* 75311R0118	BACK SUPPORT COLUMN		17	* 75311R0119	BACK PANEL	
6	75311R0130	FILTER		18	* 75311R0138	CABLE GLANDS	
7	75340R0015	FAN MOTOR		18	* 75311R0052	CABLE GLANDS	
8	75340R0014	FAN BLADE		19	* 75311R0047	TOP COVER	
9	* 75311R0050	FRONT PANEL		19	* 75311R0115	TOP PANEL	
9	* 75311R0117	FRONT PANEL		20	75336R0023	4-WAY VALVE COIL	
10	* 75311R0042B	CONTROLLER		21	75336R0025	EEV COIL	
10	* 75311R0042A	CONTROLLER		22	75311R0131	GAS SUCTION TEMP. SENSOR	

* SEE OBSERVATIONS SHEET

CODE **WH000582, WH000592**DESCRIPTION: **HEAT PUMP TD 8**

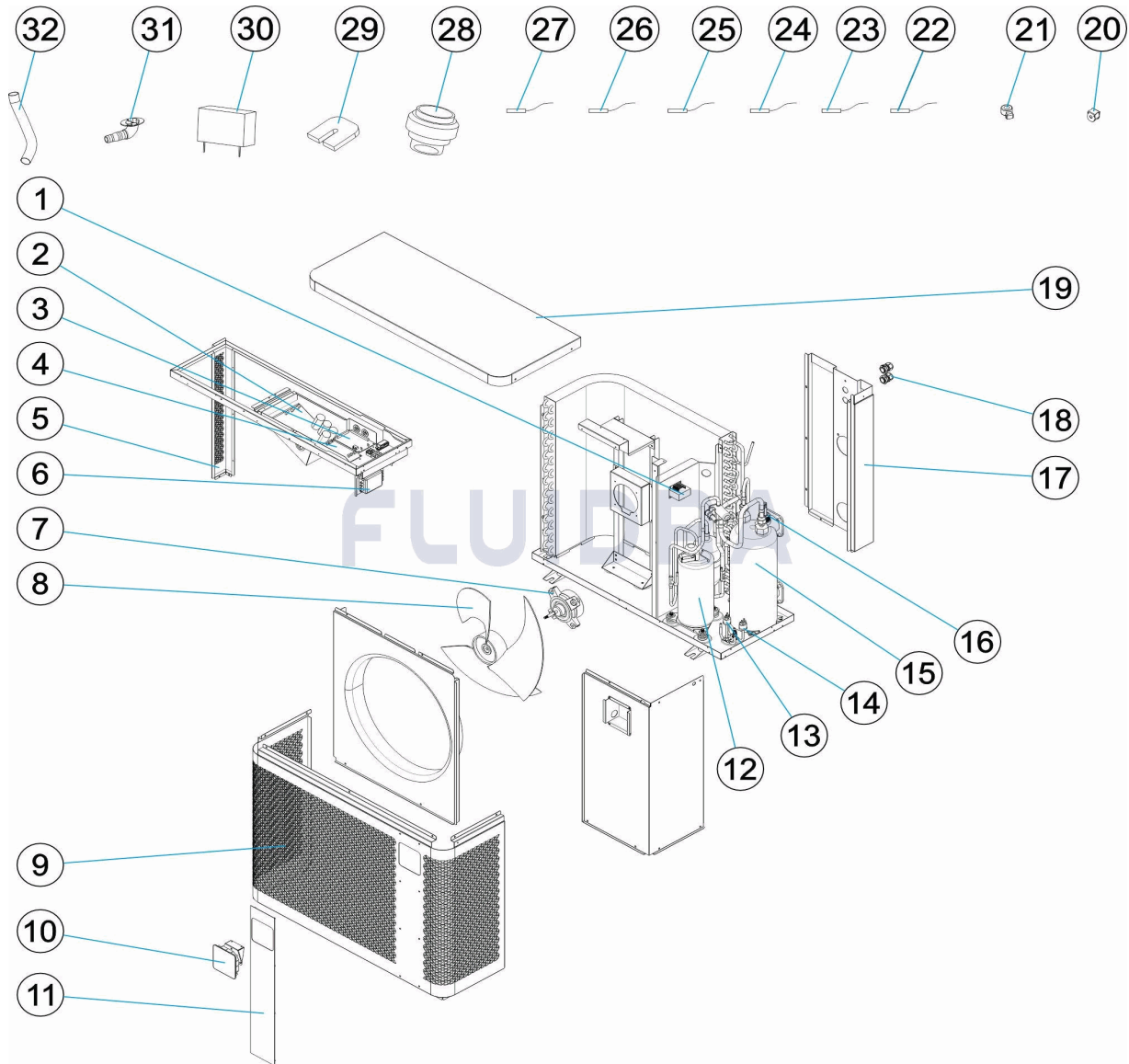
11	75311R0049	DECORATIVE PANEL RAL 9006	23	75311R0084	OUTLET WATER TEMP. SENSOR
12	75340R0009	COMPRESSORE	24	75311R0132	INLET WATER TEMP. SENSOR
25	75311R0086	AMBIENT TEMP. SENSOR	29	75311R0035	ANTI-VIBRATION FEET
26	75311R0133	EVAPORATOR COIL TEMP. SENSOR	30	75340R0036	WINTER COVER
27	75311R0134	GAS DISCHARGE TEMP. SENSOR	31	75311R0034	WATER NOZZLE
28	75311R0032	WATER CONNECTION SETS	32	75311R0033	DRAIN HOSE

CODE **WH000582, WH000592**DESCRIPTION: **HEAT PUMP TD 8**

OBSERVATIONS

POS	CODE	OBSERVATIONS
5	* 75311R0051	FOR: WH000582
5	* 75311R0118	FOR: WH000592
9	* 75311R0050	FOR: WH000582
9	* 75311R0117	FOR: WH000592
10	* 75311R0042B	FOR: WH000582
10	* 75311R0042A	FOR: WH000592
17	* 75311R0053	FOR: WH000582
17	* 75311R0119	FOR: WH000592
18	* 75311R0138	FOR: WH000582
18	* 75311R0052	FOR: WH000592
19	* 75311R0047	FOR: WH000582
19	* 75311R0115	FOR: WH000592

CODICE **WH000582, WH000592**

 DESCRIZIONE: **POMPA DI CALORE TD 8**

ITALIANO

POS	CODICE	DESCRIZIONE	QUANTITA'	POS	CODICE	DESCRIZIONE	QUANTITA'
1	75311R0057	REATTORE		13	75336R0007	RIVELATORE BASSO PRESSIONE	
2	75311R0129	PIASTRA FILTRO		14	75336R0008	RILEVATORE DI ALTA PRESSIONE	
3	75311R0054B	SCHEDA BASE PCB		15	75340R0006	INTERCAMBIATORE IN TITANIO	
4	75311R0055	PIASTRA FILTRO		16	75336R0005	FLUSSOSTATO	
5	* 75311R0051	COLONNA DI SOSTEGNO DELLO SCHIENA		17	* 75311R0053	PANNELLO INDIETRO	
5	* 75311R0118	COLONNA DI SOSTEGNO DELLO SCHIENA		17	* 75311R0119	PANNELLO INDIETRO	
6	75311R0130	FILTRO		18	* 75311R0138	PREMISTOPPA	
7	75340R0015	MOTORE VENTOLA		18	* 75311R0052	PREMISTOPPA	
8	75340R0014	PALE VENTILATORE		19	* 75311R0047	COPERCHIO SUPERIORE	
9	* 75311R0050	PANNELLO FRONTALE		19	* 75311R0115	PANNELLO SUPERIORE	
9	* 75311R0117	PANNELLO FRONTALE		20	75336R0023	BOBINA VALVOLA A 4 VIE	
10	* 75311R0042B	CONTROLADOR		21	75336R0025	BOBINA EEV	
10	* 75311R0042A	CONTROLADOR		22	75311R0131	SENSORE TEMPERATURA ASPIRAZIONE G	

* SI FACCIA RIFERIMENTO AL FOGLIO DELLE OSSERVAZIONI

CODICE **WH000582, WH000592**DESCRIZIONE: **POMPA DI CALORE TD 8**

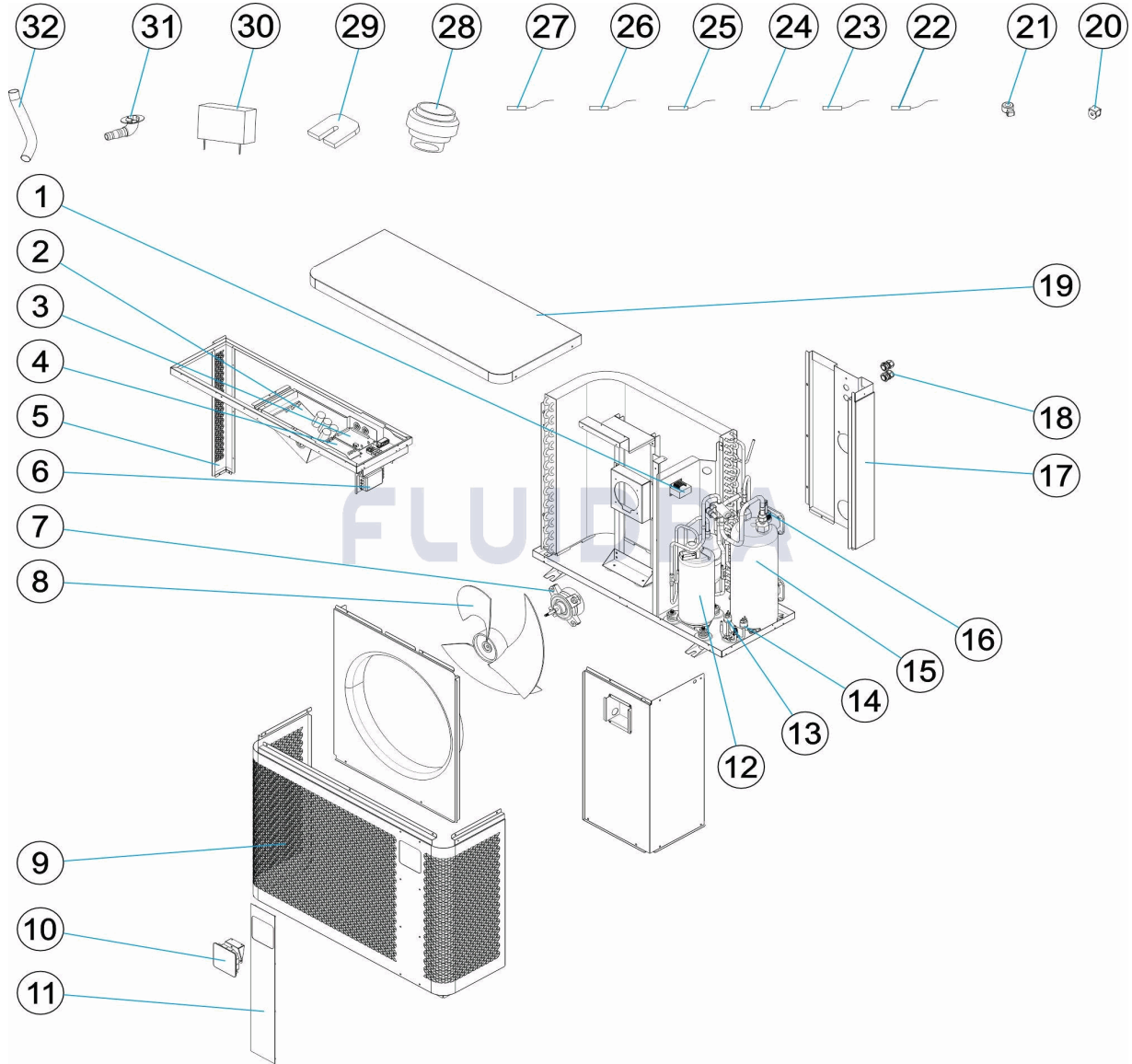
11	75311R0049	PANNELLO DECORATIVO RAL 9006	23	75311R0084	SENSORE TEMPERATURA ACQUA IN USCIT
12	75340R0009	COMPRESSORE	24	75311R0132	SENSORE TEMPERATURA ACQUA IN INGR
25	75311R0086	SENSORE TEMPERATURA AMBIENTE	29	75311R0035	PIEDINI ANTIVIBRAZIONE
26	75311R0133	TEMP. BOBINA EVAPORATORE SENSORE	30	75340R0036	COPERTA DI INVERNO
27	75311R0134	SENSORE TEMPERATURA SCARICO GAS	31	75311R0034	UGELLO DELL'ACQUA
28	75311R0032	SET CONNESSIONE DELL'ACQUA	32	75311R0033	TUBO DI SCARICO

CODICE **WH000582, WH000592**DESCRIZIONE: **POMPA DI CALORE TD 8****OSSERVAZIONI**

POS	CODICE	OSSERVAZIONI
5	* 75311R0051	PER: WH000582
5	* 75311R0118	PER: WH000592
9	* 75311R0050	PER: WH000582
9	* 75311R0117	PER: WH000592
10	* 75311R0042B	PER: WH000582
10	* 75311R0042A	PER: WH000592
17	* 75311R0053	PER: WH000582
17	* 75311R0119	PER: WH000592
18	* 75311R0138	PER: WH000582
18	* 75311R0052	PER: WH000592
19	* 75311R0047	PER: WH000582
19	* 75311R0115	PER: WH000592

CODE **WH000582, WH000592**

BESCHREIBUNG: **WÄRMEPUMPE TD 8**



DEUTSCH

POS	CODE	BESCHREIBUNG	MENGE	POS	CODE	BESCHREIBUNG	MENGE
1	75311R0057	REAKTOR		13	75336R0007	DETEKTOR NIEDERDRUCK	
2	75311R0129	FILTERPLATTE		14	75336R0008	DETEKTOR HOCHDRUCK	
3	75311R0054B	BASISPLATTE PCB		15	75340R0006	WÄRMEÜBERTRAGER TITANIUM	
4	75311R0055	FILTERPLATTE		16	75336R0005	DURCHFLUSSMESSER	
5	* 75311R0051	HINTERE SÄULENSTÜTZE		17	* 75311R0053	FÜHRERHAUSRÜCKWAND	
5	* 75311R0118	HINTERE SÄULENSTÜTZE		17	* 75311R0119	FÜHRERHAUSRÜCKWAND	
6	75311R0130	FILTER		18	* 75311R0138	KABELEINFÜHRUNG	
7	75340R0015	LÜFTERMOTOR		18	* 75311R0052	KABELEINFÜHRUNG	
8	75340R0014	ROTORBLÄTTER VENTILATOR		19	* 75311R0047	ABDECKUNG OBEN	
9	* 75311R0050	FRONTPLATTE		19	* 75311R0115	ABDECKUNG	
9	* 75311R0117	FRONTPLATTE		20	75336R0023	SPULE 4-WEGE-VENTIL	
10	* 75311R0042B	STEUERUNG		21	75336R0025	SPULE EEV	
10	* 75311R0042A	STEUERUNG		22	75311R0131	GASANSAUGTEMPERATURSENSOR	

* SIEHE ANMERKUNGSBLATT

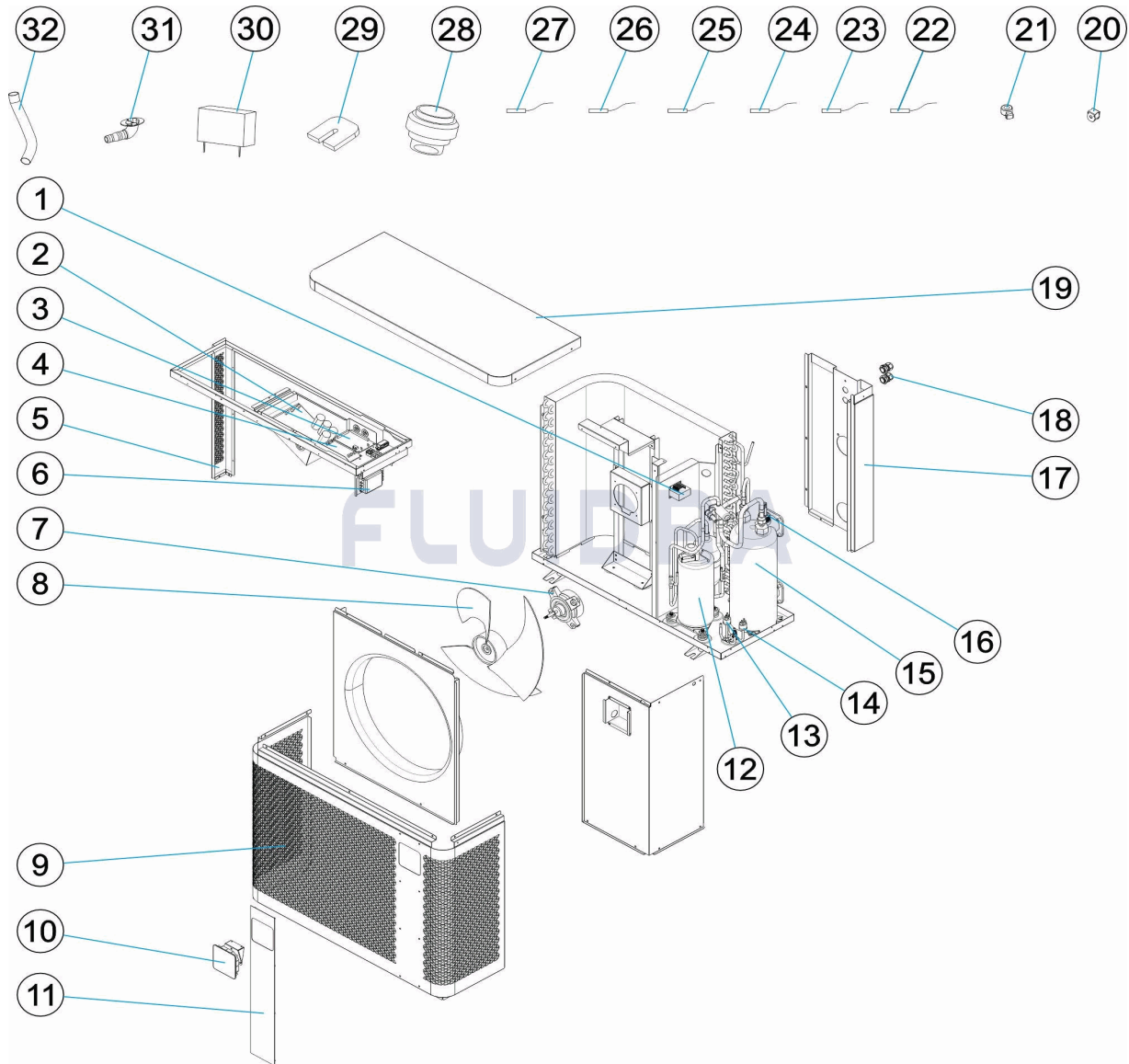
CODE **WH000582, WH000592**BESCHREIBUNG: **WÄRMEPUMPE TD 8**

11	75311R0049	DEKORPLATTE RAL 9006	23	75311R0084	AUSLASSWASSERTEMPERATURSENSOR
12	75340R0009	KOMPRESSOR	24	75311R0132	EINLASSWASSERTEMPERATURSENSOR
25	75311R0086	UMGEBUNGS TEMPERATURFÜHLER	29	75311R0035	ANTI-VIBRATIONSFÜSSE
26	75311R0133	VERDAMPFERSCHLANGENTEMP. SENSO	30	75340R0036	WINTERDECKEL
27	75311R0134	GASAUSTRITTSTEMPERATURSENSOR	31	75311R0034	WASSERDÜSE
28	75311R0032	WASSERANSCHLUSS SET	32	75311R0033	ABFLUSSSCHLAUCH

CODE **WH000582, WH000592**BESCHREIBUNG: **WÄRMEPUMPE TD 8****HINWEISE**

POS	CODE	HINWEISE
5	* 75311R0051	FÜR: WH000582
5	* 75311R0118	FÜR: WH000592
9	* 75311R0050	FÜR: WH000582
9	* 75311R0117	FÜR: WH000592
10	* 75311R0042B	FÜR: WH000582
10	* 75311R0042A	FÜR: WH000592
17	* 75311R0053	FÜR: WH000582
17	* 75311R0119	FÜR: WH000592
18	* 75311R0138	FÜR: WH000582
18	* 75311R0052	FÜR: WH000592
19	* 75311R0047	FÜR: WH000582
19	* 75311R0115	FÜR: WH000592

CODIGO **WH000582, WH000592**

 DESCRIÇÃO: **BOMBA DE CALOR TD 8**

PORTUGUES

POS	CODIGO	DESCRIÇÃO	JANTIDADE	POS	CODIGO	DESCRIÇÃO	JANTIDADE
1	75311R0057	REACTOR		13	75336R0007	DETECTOR DE BAIXA PRESSÃO	
2	75311R0129	FILTERPLATTE		14	75336R0008	DETECTOR DE ALTA PRESSÃO	
3	75311R0054B	PLACA BASE PCB		15	75340R0006	PERMUTADOR DE TITÂNIO	
4	75311R0055	FILTERPLATTE		16	75336R0005	FLUXO-ESTATO	
5	* 75311R0051	COLUNA DE APOIO TRASEIRO		17	* 75311R0053	PAINEL TRASEIRO	
5	* 75311R0118	COLUNA DE APOIO TRASEIRO		17	* 75311R0119	PAINEL TRASEIRO	
6	75311R0130	FILTER		18	* 75311R0138	PRENSA-ESTOPAS PARA CABO	
7	75340R0015	MOTOR VENTILADOR		18	* 75311R0052	PRENSA-ESTOPAS PARA CABO	
8	75340R0014	PÁS VENTILADOR		19	* 75311R0047	TAMPA SUPERIOR	
9	* 75311R0050	PAINEL FRONTAL		19	* 75311R0115	PANNEAU SUPERIEUR	
9	* 75311R0117	PAINEL FRONTAL		20	75336R0023	BOBINA VÁLVULA DE 4 VIAS	
10	* 75311R0042B	CONTROLLATORE		21	75336R0025	BOBINA EEV	
10	* 75311R0042A	CONTROLLATORE		22	75311R0131	SENSOR DE TEMPERATURA DE SUÇÃO C	

* VEJA A FICHA DE OBSERVAÇÕES

CODIGO **WH000582, WH000592**DESCRICAÇÃO: **BOMBA DE CALOR TD 8**

11	75311R0049	PAINEL DECORATIVO RAL 9006	23	75311R0084	SENSOR DE TEMPERATURA DA ÁGUA DE €
12	75340R0009	COMPRESSOR	24	75311R0132	SENSOR DE TEMPERATURA DA ÁGUA DE E
25	75311R0086	SENSOR TEMPERATURA AMBIENTE	29	75311R0035	PÉS ANTIVIBRAÇÃO
26	75311R0133	TEMPERATURA DA BOBINA DO EVAPORAL	30	75340R0036	COBERTURA DE INVERNO
27	75311R0134	SENSOR DE TEMPERATURA DE DESCARG	31	75311R0034	BOCAL DE ÁGUA
28	75311R0032	CONJECTIVOS CONEXÃO DE ÁGUA	32	75311R0033	MANGUEIRA DE DRENAGEM

CODIGO **WH000582, WH000592**DESCRIÇÃO: **BOMBA DE CALOR TD 8****OBSERVAÇÕES**

POS	CODIGO	OBSERVAÇÕES
5	* 75311R0051	PARA: WH000582
5	* 75311R0118	PARA: WH000592
9	* 75311R0050	PARA: WH000582
9	* 75311R0117	PARA: WH000592
10	* 75311R0042B	PARA: WH000582
10	* 75311R0042A	PARA: WH000592
17	* 75311R0053	PARA: WH000582
17	* 75311R0119	PARA: WH000592
18	* 75311R0138	PARA: WH000582
18	* 75311R0052	PARA: WH000592
19	* 75311R0047	PARA: WH000582
19	* 75311R0115	PARA: WH000592