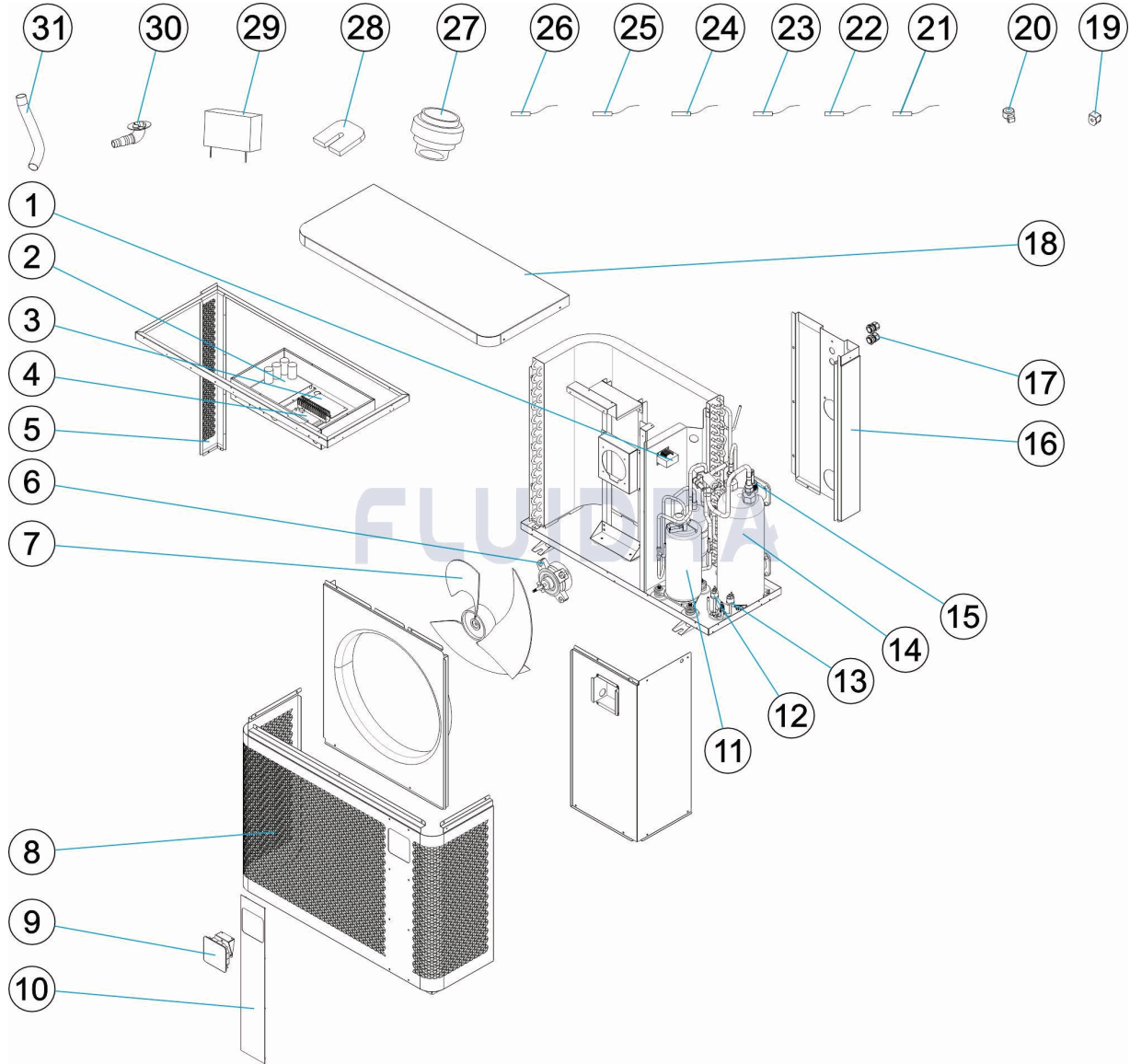


CODIGO **WH000583, WH000585, WH000593, WH000595**

 DESCRIPCION: **BOMBA DE CALOR MD 9 - 12**

**ESPAÑOL**

POS	CODIGO	DESCRIPCION	CANTIDAD	POS	CODIGO	DESCRIPCION	CANTIDAD
1	75311R0520	REACTOR		11	* 75311R0529	COMPRESOR	
2	75311R0519	PLACA FILTRO		12	75311R0063	DETECTOR DE PRESIÓN BAJA	
3	75311R0518	PLACA FILTRO		13	75311R0062	DETECTOR DE PRESIÓN ALTA	
4	* 75311R0054A	PLACA BASE PCB		14	* 75311R0061	INTERCAMBIADOR DE TITANIO	
4	* 75311R0054C	PLACA BASE PCB		14	* 75311R0528	INTERCAMBIADOR DE TITANIO	
5	* 75311R0069	COLUMNA SOPORTE TRASERO		15	75311R0060	FLUJOSTATO	
5	* 75311R0123	COLUMNA SOPORTE TRASERO		16	* 75311R0059	PANEL TRASERO	
6	75311R0068	MOTOR VENTILADOR		16	* 75311R0121	PANEL TRASERO	
7	75311R0067	ASPAS VENTILADOR		16	* 75311R0527	PANEL TRASERO	
8	* 75311R0066	PANEL FRONTAL		16	* 75311R0542	PANEL TRASERO	
8	* 75311R0122	PANEL FRONTAL		17	* 75311R0052	PRENSAESTOPAS PARA CABLE	
9	* 75311R0042A	CONTROLADOR		17	* 75311R0138	PRENSAESTOPAS PARA CABLE	
9	* 75311R0042B	CONTROLADOR		18	* 75311R0058	TAPA SUPERIOR	

\* NOTA OBSERVACIONES

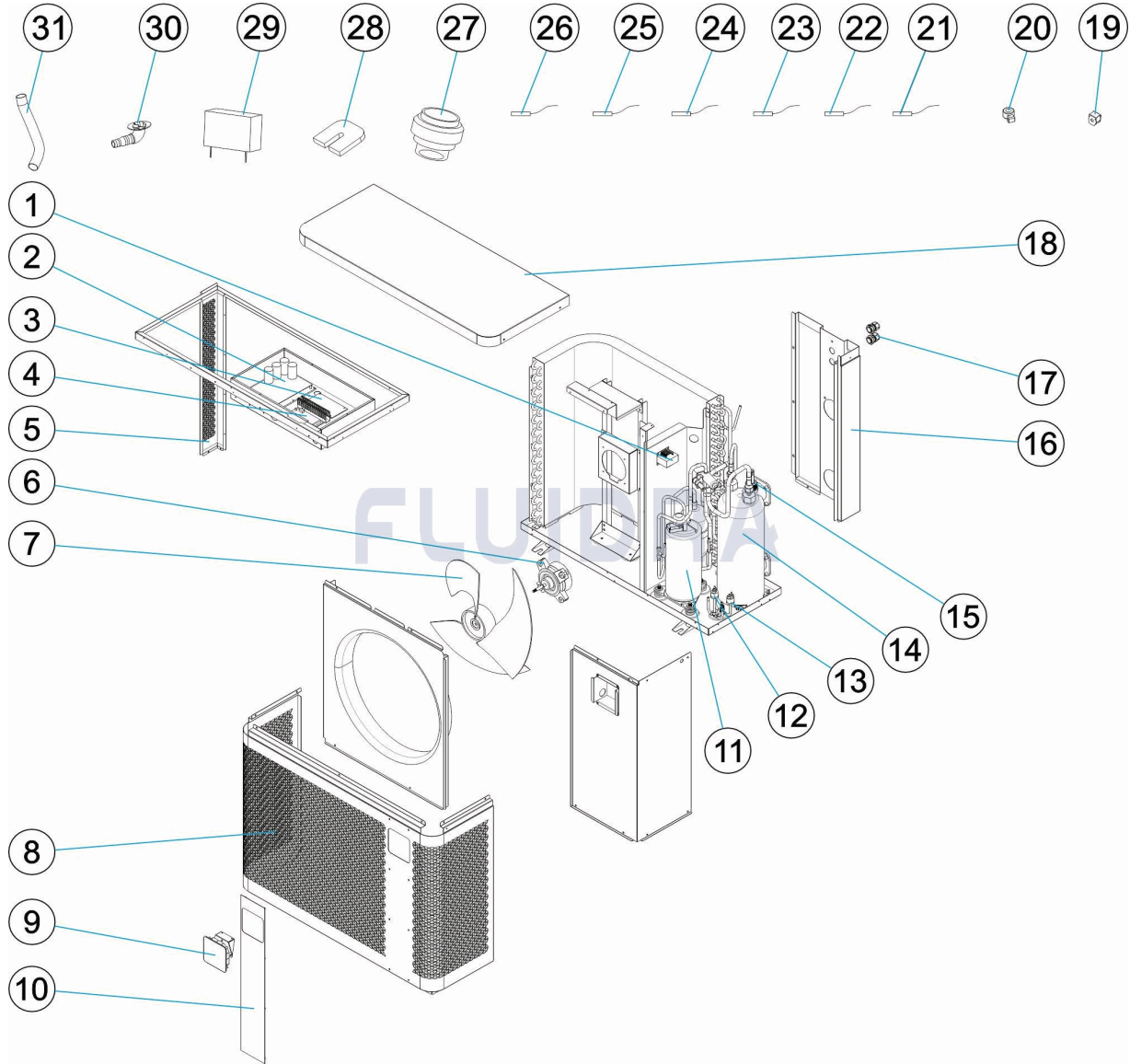
CODIGO **WH000583, WH000585, WH000593, WH000595**DESCRIPCION: **BOMBA DE CALOR MD 9 - 12**

10	75311R0065	PANEL DECORATIVO RAL 9006	18	* 75311R0120	PANEL SUPERIOR
11	* 75311R0064	COMPRESOR	19	75311R0521	VALVULA DE 4 VIAS
20	75336R0025	BOBINA EEV	26	75311R0522	SENSOR DE TEMPERATURA DE ASPIRACIÓ
21	75311R0522	SENSOR DE TEMPERATURA DE ASPIRACIÓ	27	75311R0032	KIT DE CONEXIÓN AGUA
22	75311R0075	SENSOR DE TEMPERATURA DEL AGUA DE	28	75311R0035	PIES ANTIVIBRATORIOS
23	75311R0076	SENSOR DE TEMPERATURA DEL AGUA EN	29	75311R0135	CUBIERTA DE INVIERNO
24	75311R0523	SENSOR TEMPERATURA AMBIENTE	30	75311R0034	BOQUILLA DE AGUA
25	75311R0524	TEMP SERPENTÍN EVAPORADOR. SENSOI	31	75311R0033	MANGUERA DE DRENAJE

CODIGO **WH000583, WH000585, WH000593, WH000595**DESCRIPCION: **BOMBA DE CALOR MD 9 - 12****OBSERVACIONES**

POS	CODIGO	OBSERVACIONES
4	* 75311R0054A	PARA: WH000583, WH000593
4	* 75311R0054C	PARA: WH000585
5	* 75311R0069	PARA: WH000583, WH000585
5	* 75311R0123	PARA: WH000593, WH000595
8	* 75311R0066	PARA: WH000583, WH000585
8	* 75311R0122	PARA: WH000593, WH000595
9	* 75311R0042A	PARA: WH000593, WH000595
9	* 75311R0042B	PARA: WH000583, WH000585
11	* 75311R0064	PARA: WH000583, WH000593
11	* 75311R0529	PARA: WH000585, WH000595
14	* 75311R0061	PARA: WH000583, WH000593
14	* 75311R0528	PARA: WH000585, WH000595
16	* 75311R0059	PARA: WH000583
16	* 75311R0121	PARA: WH000593
16	* 75311R0527	PARA: WH000585
16	* 75311R0542	PARA: WH000595
17	* 75311R0052	PARA: WH000593, WH000595
17	* 75311R0138	PARA: WH000583, WH000585
18	* 75311R0058	PARA: WH000583, WH000585
18	* 75311R0120	PARA: WH000593, WH000595

CODE **WH000583, WH000585, WH000593, WH000595**

 DESCRIPTION: **POMPE À CHALEUR MD 9 - 12**

**FRANCAIS**

POS	CODE	DESCRIPTION	QUANTITE	POS	CODE	DESCRIPTION	QUANTITE
1	75311R0520	RÉACTEUR		11	* 75311R0529	COMPRESSEUR	
2	75311R0519	PLAQUE FILTRE		12	75311R0063	DÉTECTEUR BASSE PRESSION	
3	75311R0518	PLAQUE FILTRE		13	75311R0062	DÉTECTEUR HAUTE PRESSION	
4	* 75311R0054A	PLAQUE BASE PCB		14	* 75311R0061	ÉCHANGEUR EN TITANE	
4	* 75311R0054C	PLAQUE BASE PCB		14	* 75311R0528	ÉCHANGEUR EN TITANE	
5	* 75311R0069	COLONNE DE SUPPORT DORSAL		15	75311R0060	CONTROLEUR DE DEBIT	
5	* 75311R0123	COLONNE DE SUPPORT DORSAL		16	* 75311R0059	PANNEAU ARRIÈRE	
6	75311R0068	MOTEUR VENTILATEUR		16	* 75311R0121	PANNEAU ARRIÈRE	
7	75311R0067	PALES VENTILATEUR		16	* 75311R0527	PANNEAU ARRIÈRE	
8	* 75311R0066	PANNEAU AVANT		16	* 75311R0542	PANNEAU ARRIÈRE	
8	* 75311R0122	PANNEAU AVANT		17	* 75311R0052	PRESSE-ÉTOUPE POUR CÂBLE	
9	* 75311R0042A	CONTRÔLEUR		17	* 75311R0138	PRESSE-ÉTOUPE POUR CÂBLE	
9	* 75311R0042B	CONTRÔLEUR		18	* 75311R0058	COUVERCLE SUPÉRIEUR	

\* VOIR FICHE D'OBSERVATIONS

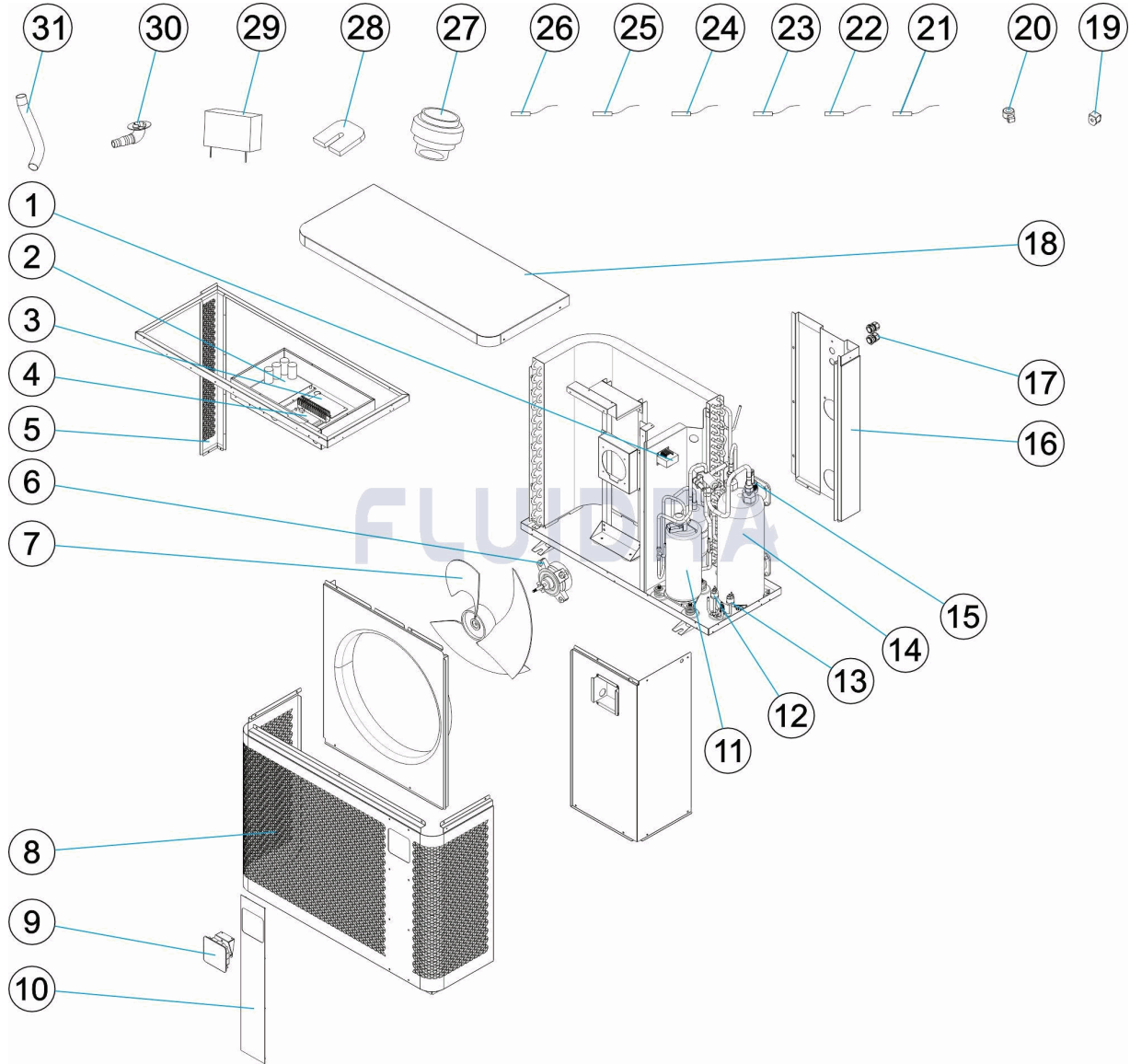
CODE **WH000583, WH000585, WH000593, WH000595**DESCRIPTION: **POMPE À CHALEUR MD 9 - 12**

10	75311R0065	PANNEAU DÉCORATIF RAL 9006	18	* 75311R0120	PANNEAU SUPÉRIEUR
11	* 75311R0064	COMPRESSEUR	19	75311R0521	4-WAY VALVE
20	75336R0025	BOBINE EEV	26	75311R0522	CAPTEUR DE TEMPÉRATURE D'ASPIRATIO
21	75311R0522	CAPTEUR DE TEMPÉRATURE D'ASPIRATIC	27	75311R0032	ENSEMBLES CONNEXION D'EAU
22	75311R0075	SONDE DE TEMPÉRATURE D'EAU DE SOR	28	75311R0035	PIEDS ANTI-VIBRATION
23	75311R0076	CAPTEUR DE TEMPÉRATURE D'EAU D'ENI	29	75311R0135	COUVERTURE D'HIVERNAGE
24	75311R0523	CAPTEUR TEMPÉRATURE AMBIANT	30	75311R0034	BUSE D'EAU
25	75311R0524	TEMPÉRATURE DU SERPENTIN DE L'ÉVAF	31	75311R0033	TUYAU DE DRAINAGE

CODE **WH000583, WH000585, WH000593, WH000595**DESCRIPTION: **POMPE À CHALEUR MD 9 - 12****OBSERVATIONS**

POS	CODE	OBSERVATIONS
4	* 75311R0054A	POUR: WH000583, WH000593
4	* 75311R0054C	POUR: WH000585
5	* 75311R0069	POUR: WH000583, WH000585
5	* 75311R0123	POUR: WH000593, WH000595
8	* 75311R0066	POUR: WH000583, WH000585
8	* 75311R0122	POUR: WH000593, WH000595
9	* 75311R0042A	POUR: WH000593, WH000595
9	* 75311R0042B	POUR: WH000583, WH000585
11	* 75311R0064	POUR: WH000583, WH000593
11	* 75311R0529	POUR: WH000585, WH000595
14	* 75311R0061	POUR: WH000583, WH000593
14	* 75311R0528	POUR: WH000585, WH000595
16	* 75311R0059	POUR: WH000583
16	* 75311R0121	POUR: WH000593
16	* 75311R0527	POUR: WH000585
16	* 75311R0542	POUR: WH000595
17	* 75311R0052	POUR: WH000593, WH000595
17	* 75311R0138	POUR: WH000583, WH000585
18	* 75311R0058	POUR: WH000583, WH000585
18	* 75311R0120	POUR: WH000593, WH000595

CODE **WH000583, WH000585, WH000593, WH000595**

 DESCRIPTION: **HEAT PUMP MD 9 - 12**

**ENGLISH**

POS	CODE	DESCRIPTION	QUANTITY	POS	CODE	DESCRIPTION	QUANTITY
1	75311R0520	REACTOR		11	* 75311R0529	COMPRESSOR	
2	75311R0519	FILTER BOARD		12	75311R0063	LOW PRESSURE SWITCH	
3	75311R0518	FILTER BOARD		13	75311R0062	HIGH PRESSURE SWITCH	
4	* 75311R0054A	MAIN PCB		14	* 75311R0061	TITANIUM HEAT EXCHANGER	
4	* 75311R0054C	MAIN PCB		14	* 75311R0528	TITANIUM HEAT EXCHANGER	
5	* 75311R0069	BACK SUPPORT COLUMN		15	75311R0060	WATER FLOW SWITCH	
5	* 75311R0123	BACK SUPPORT COLUMN		16	* 75311R0059	BACK PANEL	
6	75311R0068	DC FAN MOTOR		16	* 75311R0121	BACK PANEL	
7	75311R0067	FAN BLADE		16	* 75311R0527	BACK PANEL	
8	* 75311R0066	FRONT PANEL		16	* 75311R0542	BACK PANEL	
8	* 75311R0122	FRONT PANEL		17	* 75311R0052	CABLE GLANDS	
9	* 75311R0042A	CONTROLLER		17	* 75311R0138	CABLE GLANDS	
9	* 75311R0042B	CONTROLLER		18	* 75311R0058	TOP COVER	

\* SEE OBSERVATIONS SHEET

CODE **WH000583, WH000585, WH000593, WH000595**DESCRIPTION: **HEAT PUMP MD 9 - 12**

10	75311R0065	DECORATIVE PANEL RAL 9006	18	* 75311R0120	TOP PANEL
11	* 75311R0064	COMPRESSOR	19	75311R0521	4-WAY VALVE COIL
20	75336R0025	EEV COIL	26	75311R0522	GAS SUCTION TEMP. SENSOR
21	75311R0522	GAS SUCTION TEMP. SENSOR	27	75311R0032	WATER CONNECTION SETS
22	75311R0075	OUTLET WATER TEMP. SENSOR	28	75311R0035	ANTI-VIBRATION FEET
23	75311R0076	INLET WATER TEMP. SENSOR	29	75311R0135	WINTER COVER
24	75311R0523	AMBIENT TEMP. SENSOR	30	75311R0034	WATER NOZZLE
25	75311R0524	EVAPORATOR COIL TEMP. SENSOR	31	75311R0033	DRAIN HOSE

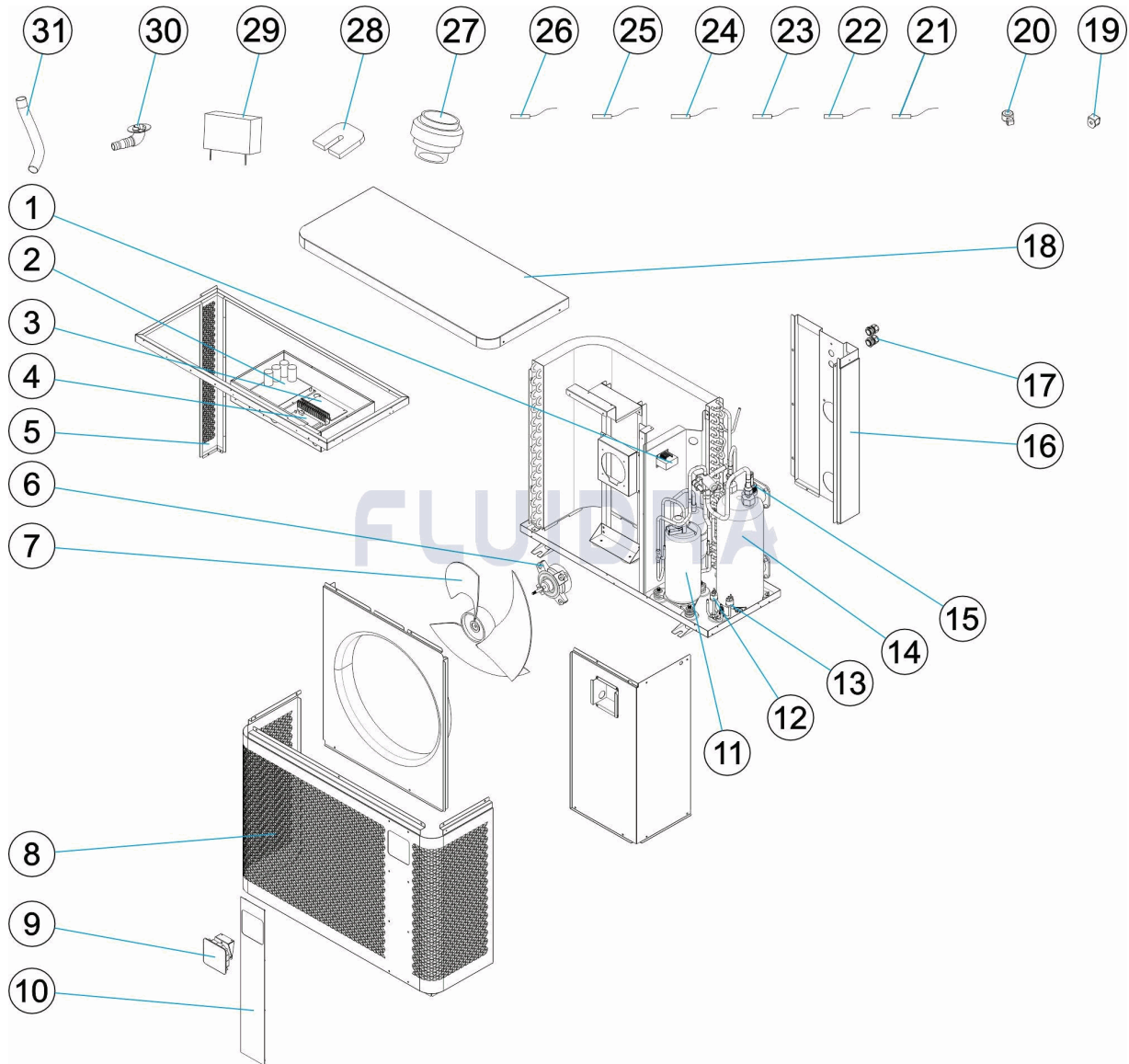


CODE **WH000583, WH000585, WH000593, WH000595**DESCRIPTION: **HEAT PUMP MD 9 - 12**

## OBSERVATIONS

POS	CODE	OBSERVATIONS
4	* 75311R0054A	FOR: WH000583, WH000593
4	* 75311R0054C	FOR: WH000585
5	* 75311R0069	FOR: WH000583, WH000585
5	* 75311R0123	FOR: WH000593, WH000595
8	* 75311R0066	FOR: WH000583, WH000585
8	* 75311R0122	FOR: WH000593, WH000595
9	* 75311R0042A	FOR: WH000593, WH000595
9	* 75311R0042B	FOR: WH000583, WH000585
11	* 75311R0064	FOR: WH000583, WH000593
11	* 75311R0529	FOR: WH000585, WH000595
14	* 75311R0061	FOR: WH000583, WH000593
14	* 75311R0528	FOR: WH000585, WH000595
16	* 75311R0059	FOR: WH000583
16	* 75311R0121	FOR: WH000593
16	* 75311R0527	FOR: WH000585
16	* 75311R0542	FOR: WH000595
17	* 75311R0052	FOR: WH000593, WH000595
17	* 75311R0138	FOR: WH000583, WH000585
18	* 75311R0058	FOR: WH000583, WH000585
18	* 75311R0120	FOR: WH000593, WH000595

CODICE **WH000583, WH000585, WH000593, WH000595**

 DESCRIZIONE: **POMPA DI CALORE MD 9 - 12**

**ITALIANO**

POS	CODICE	DESCRIZIONE	QUANTITA'	POS	CODICE	DESCRIZIONE	QUANTITA'
1	75311R0520	REATTORE		11	* 75311R0529	COMPRESSORE	
2	75311R0519	PIASTRA FILTRO		12	75311R0063	RIVELATORE BASSO PRESSIONE	
3	75311R0518	PIASTRA FILTRO		13	75311R0062	RILEVATORE DI ALTA PRESSIONE	
4	* 75311R0054A	SCHEDA BASE PCB		14	* 75311R0061	INTERCAMBIATORE IN TITANIO	
4	* 75311R0054C	SCHEDA BASE PCB		14	* 75311R0528	INTERCAMBIATORE IN TITANIO	
5	* 75311R0069	COLONNA DI SOSTEGNO DELLO SCHIENA		15	75311R0060	FLUSSOSTATO	
5	* 75311R0123	COLONNA DI SOSTEGNO DELLO SCHIENA		16	* 75311R0059	PANNELLO INDIETRO	
6	75311R0068	MOTORE VENTOLA		16	* 75311R0121	PANNELLO INDIETRO	
7	75311R0067	PALE VENTILATORE		16	* 75311R0527	PANNELLO INDIETRO	
8	* 75311R0066	PANNELLO FRONTALE		16	* 75311R0542	PANNELLO INDIETRO	
8	* 75311R0122	PANNELLO FRONTALE		17	* 75311R0052	PREMISTOPPA	
9	* 75311R0042A	CONTROLADOR		17	* 75311R0138	PREMISTOPPA	
9	* 75311R0042B	CONTROLADOR		18	* 75311R0058	COPERCHIO SUPERIORE	

**\* SI FACCIA RIFERIMENTO AL FOGLIO DELLE OSSERVAZIONI**

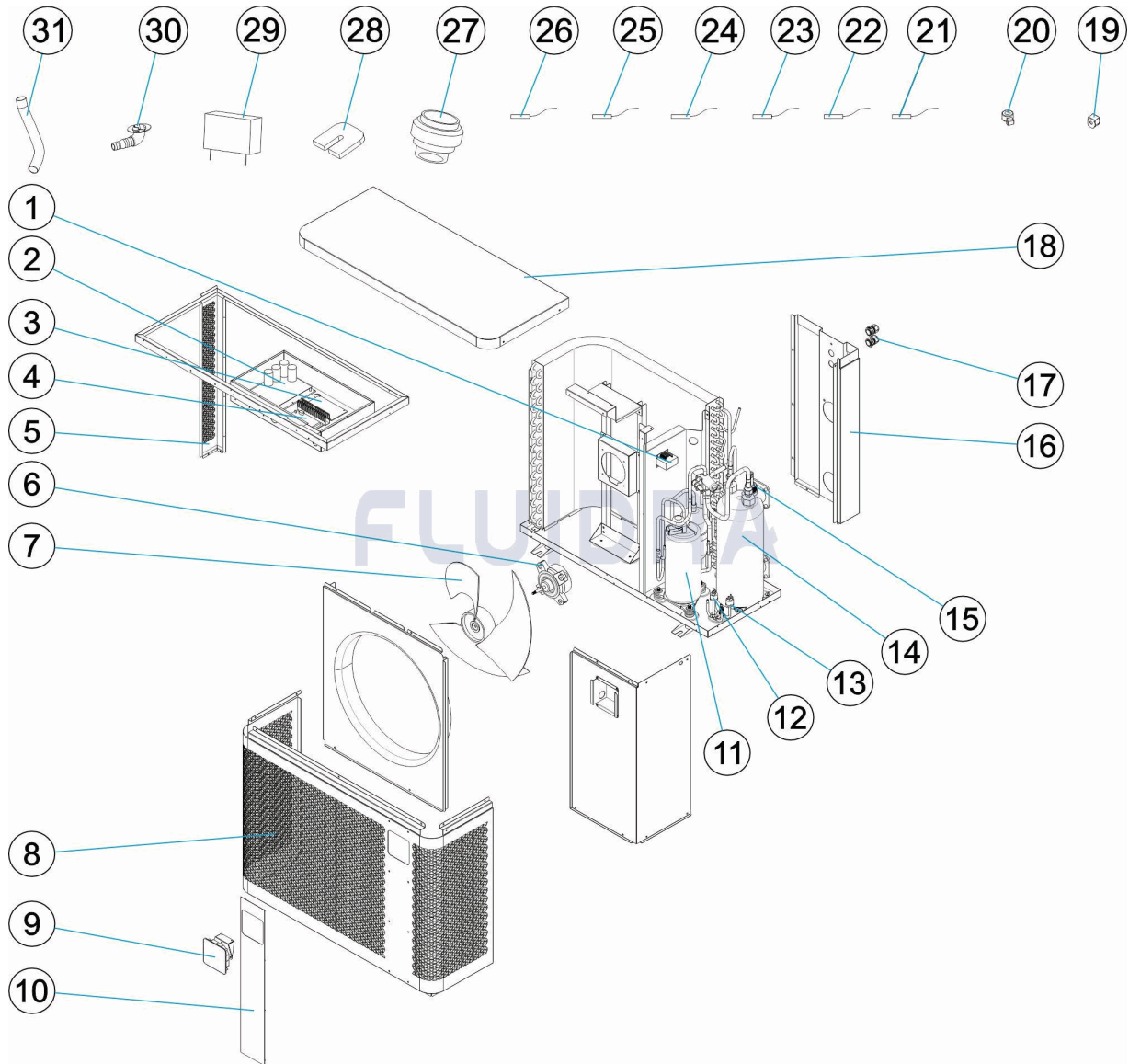
CODICE **WH000583, WH000585, WH000593, WH000595**DESCRIZIONE: **POMPA DI CALORE MD 9 - 12**

10	75311R0065	PANNELLO DECORATIVO RAL 9006	18	* 75311R0120	PANNELLO SUPERIORE
11	* 75311R0064	COMPRESSORE	19	75311R0521	VALVOLA A 4 VIE
20	75336R0025	BOBINA EEV	26	75311R0522	SENSORE TEMPERATURA ASPIRAZIONE G
21	75311R0522	SENSORE TEMPERATURA ASPIRAZIONE C	27	75311R0032	SET CONNESSIONE DELL'ACQUA
22	75311R0075	SENSORE TEMPERATURA ACQUA IN USCI	28	75311R0035	PIEDINI ANTIVIBRAZIONE
23	75311R0076	SENSORE TEMPERATURA ACQUA IN INGR	29	75311R0135	COPERTA DI INVERNO
24	75311R0523	SENSORE TEMPERATURA AMBIENTE	30	75311R0034	UGELLO DELL'ACQUA
25	75311R0524	TEMP. BOBINA EVAPORATORE SENSORE	31	75311R0033	TUBO DI SCARICO

CODICE **WH000583, WH000585, WH000593, WH000595**DESCRIZIONE: **POMPA DI CALORE MD 9 - 12****OSSERVAZIONI**

POS	CODICE	OSSERVAZIONI
4	* 75311R0054A	PER: WH000583, WH000593
4	* 75311R0054C	PER: WH000585
5	* 75311R0069	PER: WH000583, WH000585
5	* 75311R0123	PER: WH000593, WH000595
8	* 75311R0066	PER: WH000583, WH000585
8	* 75311R0122	PER: WH000593, WH000595
9	* 75311R0042A	PER: WH000593, WH000595
9	* 75311R0042B	PER: WH000583, WH000585
11	* 75311R0064	PER: WH000583, WH000593
11	* 75311R0529	PER: WH000585, WH000595
14	* 75311R0061	PER: WH000583, WH000593
14	* 75311R0528	PER: WH000585, WH000595
16	* 75311R0059	PER: WH000583
16	* 75311R0121	PER: WH000593
16	* 75311R0527	PER: WH000585
16	* 75311R0542	PER: WH000595
17	* 75311R0052	PER: WH000593, WH000595
17	* 75311R0138	PER: WH000583, WH000585
18	* 75311R0058	PER: WH000583, WH000585
18	* 75311R0120	PER: WH000593, WH000595

CODE **WH000583, WH000585, WH000593, WH000595**

 BESCHREIBUNG: **WÄRMEPUMPE MD 9 - 12**

**DEUTSCH**

POS	CODE	BESCHREIBUNG	MENGE	POS	CODE	BESCHREIBUNG	MENGE
1	75311R0520	REAKTOR		11	* 75311R0529	KOMPRESSOR	
2	75311R0519	FILTERPLATTE		12	75311R0063	DETEKTOR NIEDERDRUCK	
3	75311R0518	FILTERPLATTE		13	75311R0062	DETEKTOR HOCHDRUCK	
4	* 75311R0054A	BASISPLATTE PCB		14	* 75311R0061	WÄRMEÜBERTRAGER TITANIUM	
4	* 75311R0054C	BASISPLATTE PCB		14	* 75311R0528	WÄRMEÜBERTRAGER TITANIUM	
5	* 75311R0069	HINTERE SÄULENSTÜTZE		15	75311R0060	DURCHFLUSSMESSER	
5	* 75311R0123	HINTERE SÄULENSTÜTZE		16	* 75311R0059	FÜHRERHAUSRÜCKWAND	
6	75311R0068	LÜFTERMOTOR		16	* 75311R0121	FÜHRERHAUSRÜCKWAND	
7	75311R0067	ROTORBLÄTTER VENTILATOR		16	* 75311R0527	FÜHRERHAUSRÜCKWAND	
8	* 75311R0066	FRONTPLATTE		16	* 75311R0542	FÜHRERHAUSRÜCKWAND	
8	* 75311R0122	FRONTPLATTE		17	* 75311R0052	KABELEINFÜHRUNG	
9	* 75311R0042A	STEUERUNG		17	* 75311R0138	KABELEINFÜHRUNG	
9	* 75311R0042B	STEUERUNG		18	* 75311R0058	ABDECKUNG OBEN	

\* SIEHE ANMERKUGSBLATT

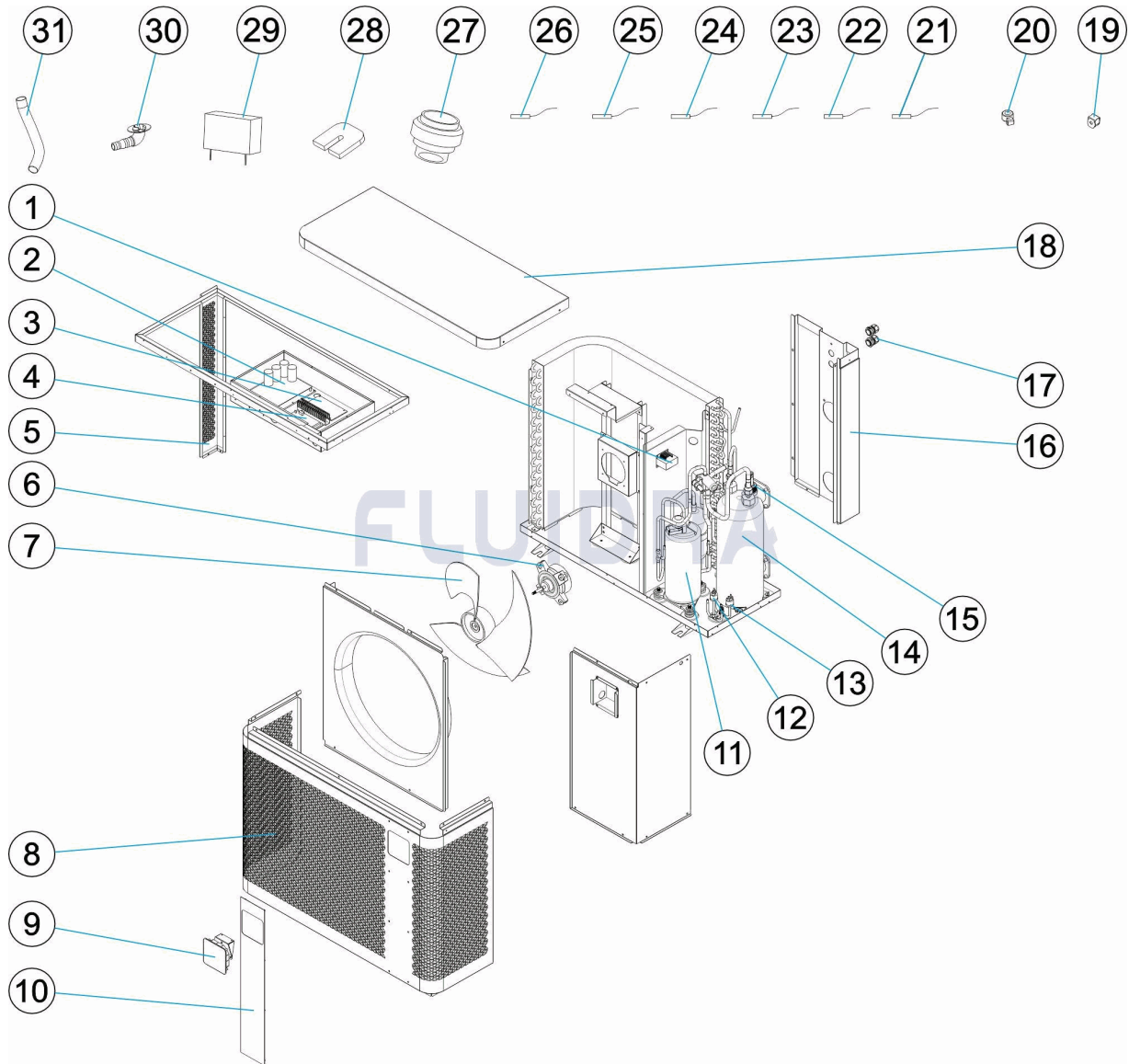
CODE **WH000583, WH000585, WH000593, WH000595**BESCHREIBUNG: **WÄRMEPUMPE MD 9 - 12**

10	75311R0065	DEKORPLATTE RAL 9006	18	* 75311R0120	ABDECKUNG
11	* 75311R0064	KOMPRESSOR	19	75311R0521	4-WEGE-VENTIL
20	75336R0025	SPULE EEV	26	75311R0522	GASANSAUGTEMPERATURSENSOR
21	75311R0522	GASANSAUGTEMPERATURSENSOR	27	75311R0032	WASSERANSCHLUSS SET
22	75311R0075	AUSLASSWASSERTEMPERATURSENSOR	28	75311R0035	ANTI-VIBRATIONSFÜSSE
23	75311R0076	EINLASSWASSERTEMPERATURSENSOR	29	75311R0135	WINTERDECKEL
24	75311R0523	UMGEBUNGS TEMPERATURFÜHLER	30	75311R0034	WASSERDÜSE
25	75311R0524	VERDAMPFERSCHLANGENTEMP. SENSO	31	75311R0033	ABFLUSSSCHLAUCH

CODE **WH000583, WH000585, WH000593, WH000595**BESCHREIBUNG: **WÄRMEPUMPE MD 9 - 12****HINWEISE**

POS	CODE	HINWEISE
4	* 75311R0054A	FÜR: WH000583, WH000593
4	* 75311R0054C	FÜR: WH000585
5	* 75311R0069	FÜR: WH000583, WH000585
5	* 75311R0123	FÜR: WH000593, WH000595
8	* 75311R0066	FÜR: WH000583, WH000585
8	* 75311R0122	FÜR: WH000593, WH000595
9	* 75311R0042A	FÜR: WH000593, WH000595
9	* 75311R0042B	FÜR: WH000583, WH000585
11	* 75311R0064	FÜR: WH000583, WH000593
11	* 75311R0529	FÜR: WH000585, WH000595
14	* 75311R0061	FÜR: WH000583, WH000593
14	* 75311R0528	FÜR: WH000585, WH000595
16	* 75311R0059	FÜR: WH000583
16	* 75311R0121	FÜR: WH000593
16	* 75311R0527	FÜR: WH000585
16	* 75311R0542	FÜR: WH000595
17	* 75311R0052	FÜR: WH000593, WH000595
17	* 75311R0138	FÜR: WH000583, WH000585
18	* 75311R0058	FÜR: WH000583, WH000585
18	* 75311R0120	FÜR: WH000593, WH000595

CODIGO **WH000583, WH000585, WH000593, WH000595**

 DESCRIÇÃO: **BOMBA DE CALOR MD 9 - 12**


### PORTUGUES

POS	CODIGO	DESCRIÇÃO	JANTIDADE	POS	CODIGO	DESCRIÇÃO	JANTIDADE
1	75311R0520	REACTOR		11	* 75311R0529	COMPRESSOR	
2	75311R0519	FILTERPLATTE		12	75311R0063	DETECTOR DE BAIXA PRESSÃO	
3	75311R0518	FILTERPLATTE		13	75311R0062	DETECTOR DE ALTA PRESSÃO	
4	* 75311R0054A	PLACA BASE PCB		14	* 75311R0061	PERMUTADOR DE TITÂNIO	
4	* 75311R0054C	PLACA BASE PCB		14	* 75311R0528	PERMUTADOR DE TITÂNIO	
5	* 75311R0069	COLUNA DE APOIO TRASEIRO		15	75311R0060	FLUXO-ESTATO	
5	* 75311R0123	COLUNA DE APOIO TRASEIRO		16	* 75311R0059	PAINEL TRASEIRO	
6	75311R0068	MOTOR VENTILADOR		16	* 75311R0121	PAINEL TRASEIRO	
7	75311R0067	PÁS VENTILADOR		16	* 75311R0527	PAINEL TRASEIRO	
8	* 75311R0066	PAINEL FRONTAL		16	* 75311R0542	PAINEL TRASEIRO	
8	* 75311R0122	PAINEL FRONTAL		17	* 75311R0052	PRENSA-ESTOPAS PARA CABO	
9	* 75311R0042A	CONTROLLATORE		17	* 75311R0138	PRENSA-ESTOPAS PARA CABO	
9	* 75311R0042B	CONTROLLATORE		18	* 75311R0058	TAMPA SUPERIOR	

\* VEJA A FICHA DE OBSERVAÇÕES



CODIGO **WH000583, WH000585, WH000593, WH000595**DESCRICAÇÃO: **BOMBA DE CALOR MD 9 - 12**

10	75311R0065	PAINEL DECORATIVO RAL 9006	18	* 75311R0120	PANNEAU SUPERIEUR
11	* 75311R0064	COMPRESSOR	19	75311R0521	VÁLVULA DE 4 VIAS
20	75336R0025	BOBINA EEV	26	75311R0522	SENSOR DE TEMPERATURA DE SUCÇÃO C
21	75311R0522	SENSOR DE TEMPERATURA DE SUCÇÃO I	27	75311R0032	CONJECTIVOS CONEXÃO DE ÁGUA
22	75311R0075	SENSOR DE TEMPERATURA DA ÁGUA DE :	28	75311R0035	PÉS ANTIVIBRAÇÃO
23	75311R0076	SENSOR DE TEMPERATURA DA ÁGUA DE	29	75311R0135	COBERTURA DE INVERNO
24	75311R0523	SENSOR TEMPERATURA AMBIENTE	30	75311R0034	BOCAL DE ÁGUA
25	75311R0524	TEMPERATURA DA BOBINA DO EVAPORAC	31	75311R0033	MANGUEIRA DE DRENAGEM

CODIGO **WH000583, WH000585, WH000593, WH000595**DESCRIÇÃO: **BOMBA DE CALOR MD 9 - 12****OBSERVAÇÕES**

POS	CODIGO	OBSERVAÇÕES
4	* 75311R0054A	PARA: WH000583, WH000593
4	* 75311R0054C	PARA: WH000585
5	* 75311R0069	PARA: WH000583, WH000585
5	* 75311R0123	PARA: WH000593, WH000595
8	* 75311R0066	PARA: WH000583, WH000585
8	* 75311R0122	PARA: WH000593, WH000595
9	* 75311R0042A	PARA: WH000593, WH000595
9	* 75311R0042B	PARA: WH000583, WH000585
11	* 75311R0064	PARA: WH000583, WH000593
11	* 75311R0529	PARA: WH000585, WH000595
14	* 75311R0061	PARA: WH000583, WH000593
14	* 75311R0528	PARA: WH000585, WH000595
16	* 75311R0059	PARA: WH000583
16	* 75311R0121	PARA: WH000593
16	* 75311R0527	PARA: WH000585
16	* 75311R0542	PARA: WH000595
17	* 75311R0052	PARA: WH000593, WH000595
17	* 75311R0138	PARA: WH000583, WH000585
18	* 75311R0058	PARA: WH000583, WH000585
18	* 75311R0120	PARA: WH000593, WH000595