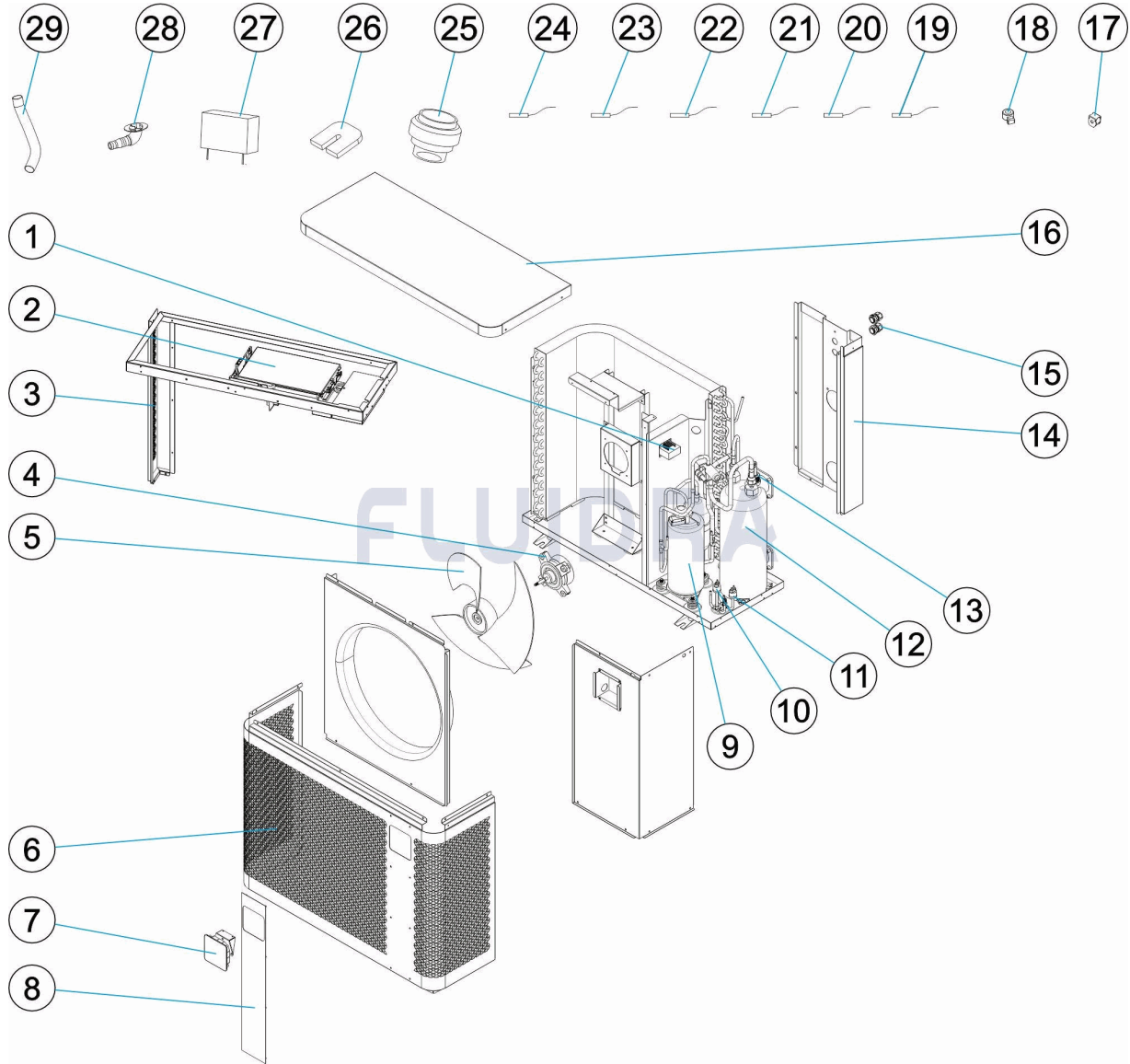


CODIGO **WH000580, WH000581, WH000590, WH000591**

 DESCRIPCION: **BOMBA DE CALOR MD 6 - 8**

ESPAÑOL

POS	CODIGO	DESCRIPCION	CANTIDAD	POS	CODIGO	DESCRIPCION	CANTIDAD
1	75339R0016	REACTOR		7	* 75311R0042B	CONTROLADOR	
2	* 75339R0021A	PLACA BASE PCB		8	* 75311R0049	PANEL DECORATIVO RAL 9006	
2	* 75339R0021B	PLACA BASE PCB		8	* 75336R0238	PANEL DE DECORACIÓN	
3	* 75311R0041	COLUMNA SOPORTE TRASERO		9	75339R0009	COMPRESOR	
3	* 75311R0051	COLUMNA SOPORTE TRASERO		10	75336R0007	DETECTOR DE PRESIÓN BAJA	
3	* 75311R0118	COLUMNA SOPORTE TRASERO		11	75336R0008	DETECTOR DE PRESIÓN ALTA	
3	* 75336R0217	PILAR		12	75339R0006	INTERCAMBIADOR DE TITANIO	
4	* 75336R0015	MOTOR VENTILADOR		13	75336R0005	FLUJOSTATO	
4	* 75340R0015	MOTOR VENTILADOR		14	* 75311R0045	PANEL TRASERO	
5	75313R0014	ASPAS VENTILADOR		14	* 75311R0048	PANEL TRASERO	
6	* 75311R0046	PANEL FRONTAL		14	* 75311R0116	PANEL TRASERO	
6	* 75311R0050	PANEL FRONTAL		14	* 75339R0204	PANEL TRASERO	
6	* 75311R0117	PANEL FRONTAL		15	* 75311R0002	PRENSAESTOPAS	

* NOTA OBSERVACIONES

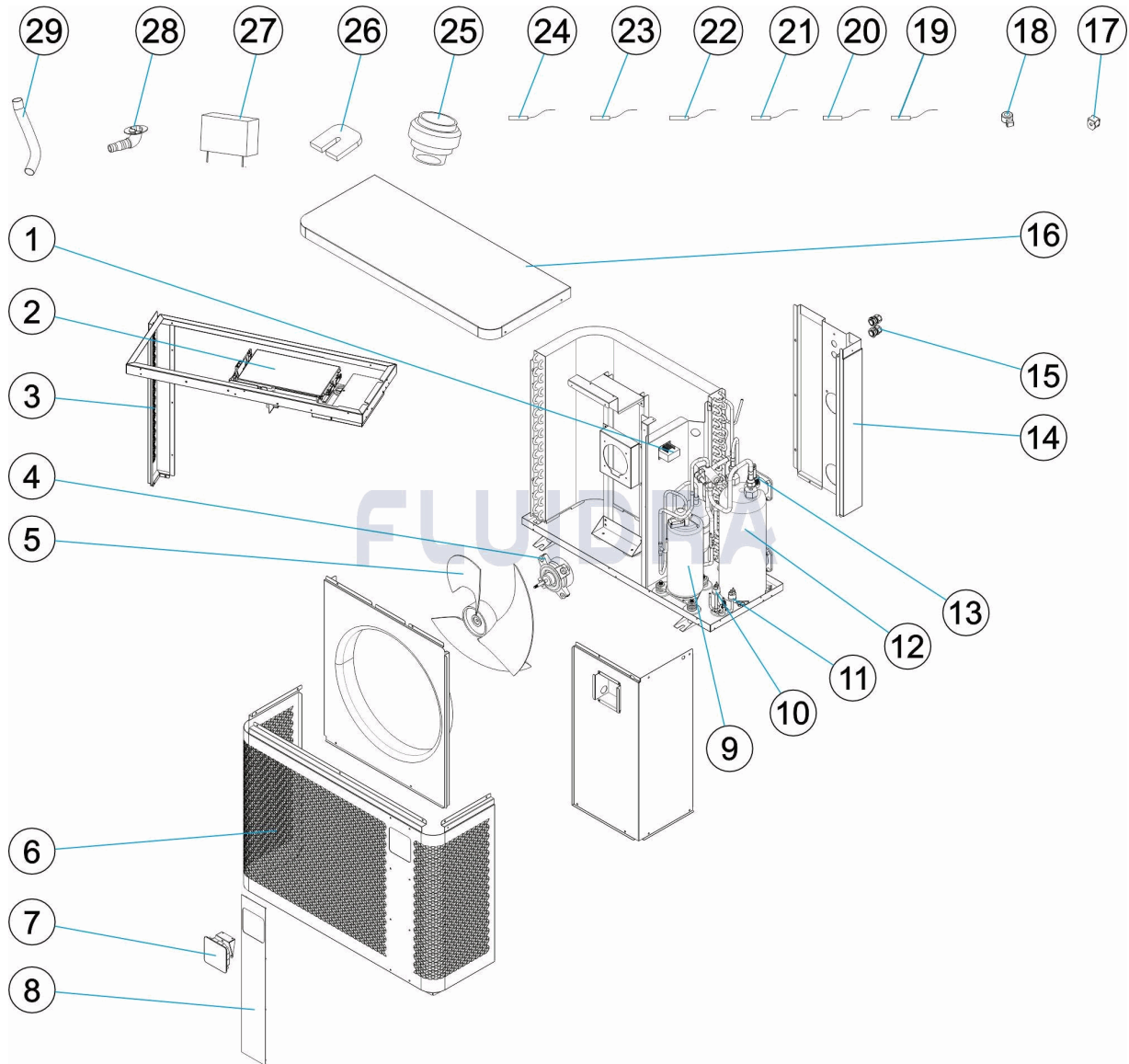
CODIGO **WH000580, WH000581, WH000590, WH000591**DESCRIPCION: **BOMBA DE CALOR MD 6 - 8**

6	* 75339R0213	PANEL FRONTAL	15	* 75311R0137	PRENSAESTOPAS PARA CABLE
7	* 75311R0042A	CONTROLADOR	16	* 75311R0044	TAPA SUPERIOR
16	* 75311R0047	TAPA SUPERIOR	23	75336R0030	SENSOR TEMPERATURA EVAPORADOR
16	* 75311R0115	PANEL SUPERIOR	24	75336R0031	SENSOR TEMPERATURA DESCARGA GAS
16	* 75338R0201	TAPA SUPERIOR	25	75311R0032	KIT DE CONEXIÓN AGUA
17	75336R0023	BOBINA VALVULA DE 4 VIAS	26	75311R0035	PIES ANTIVIBRATORIOS
18	75336R0025	BOBINA EEV	27	* 75313R0036	CUBIERTA DE INVIERNO
19	75336R0037	SENSOR TEMPERATURA SUCCIÓN GAS	27	* 75340R0036	CUBIERTA DE INVIERNO
20	75336R0026	SENSOR TEMPERATURA SORTIDA AIGUA	28	75311R0034	BOQUILLA DE AGUA
21	75336R0028	SENSOR TEMPERATURA ENTRADA AGUA	29	75311R0033	MANGUERA DE DRENAJE
22	75336R0029	SENSOR TEMPERATURA AMBIENTE			

CODIGO **WH000580, WH000581, WH000590, WH000591**DESCRIPCION: **BOMBA DE CALOR MD 6 - 8****OBSERVACIONES**

POS	CODIGO	OBSERVACIONES
2	* 75339R0021A	PARA: WH000580, WH000590
2	* 75339R0021B	PARA: WH000581, WH000591
3	* 75311R0041	PARA: WH000580
3	* 75311R0051	PARA: WH000581
3	* 75311R0118	PARA: WH000590
3	* 75336R0217	PARA: WH000591
4	* 75336R0015	PARA: WH000580, WH000590
4	* 75340R0015	PARA: WH000581, WH000591
6	* 75311R0046	PARA: WH000580
6	* 75311R0050	PARA: WH000581
6	* 75311R0117	PARA: WH000590
6	* 75339R0213	PARA: WH000591
7	* 75311R0042A	PARA: WH000590, WH000591
7	* 75311R0042B	PARA: WH000580, WH000581
8	* 75311R0049	PARA: WH000581, WH000591
8	* 75336R0238	PARA: WH000580, WH000590
14	* 75311R0045	PARA: WH000580
14	* 75311R0048	PARA: WH000581
14	* 75311R0116	PARA: WH000591
14	* 75339R0204	PARA: WH000590
15	* 75311R0002	PARA: WH000590, WH000591
15	* 75311R0137	PARA: WH000580, WH000581
16	* 75311R0044	PARA: WH000580
16	* 75311R0047	PARA: WH000581
16	* 75311R0115	PARA: WH000591
16	* 75338R0201	PARA: WH000590
27	* 75313R0036	PARA: WH000580, WH000590
27	* 75340R0036	PARA: WH000581, WH000591

CODE **WH000580, WH000581, WH000590, WH000591**

 DESCRIPTION: **POMPE À CHALEUR MD 6 - 8**

FRANCAIS

POS	CODE	DESCRIPTION	QUANTITE	POS	CODE	DESCRIPTION	QUANTITE
1	75339R0016	RÉACTEUR		7	* 75311R0042B	CONTRÔLEUR	
2	* 75339R0021A	PLAQUE BASE PCB		8	* 75311R0049	PANNEAU DÉCORATIF RAL 9006	
2	* 75339R0021B	PLAQUE BASE PCB		8	* 75336R0238	PANNEAU DE DÉCORATION	
3	* 75311R0041	COLONNE DE SUPPORT DORSAL		9	75339R0009	COMPRESSEUR	
3	* 75311R0051	COLONNE DE SUPPORT DORSAL		10	75336R0007	DÉTECTEUR BASSE PRESSION	
3	* 75311R0118	COLONNE DE SUPPORT DORSAL		11	75336R0008	DÉTECTEUR HAUTE PRESSION	
3	* 75336R0217	PILIER		12	75339R0006	ÉCHANGEUR EN TITANE	
4	* 75336R0015	MOTEUR VENTILATEUR		13	75336R0005	CONTROLEUR DE DEBIT	
4	* 75340R0015	MOTEUR VENTILATEUR		14	* 75311R0045	PANNEAU ARRIÈRE	
5	75313R0014	PALES VENTILATEUR		14	* 75311R0048	PANNEAU ARRIÈRE	
6	* 75311R0046	PANNEAU AVANT		14	* 75311R0116	PANNEAU ARRIÈRE	
6	* 75311R0050	PANNEAU AVANT		14	* 75339R0204	PANNEAU ARRIÈRE	
6	* 75311R0117	PANNEAU AVANT		15	* 75311R0002	PRESSE-ÉTOUPES	

* VOIR FICHE D'OBSERVATIONS

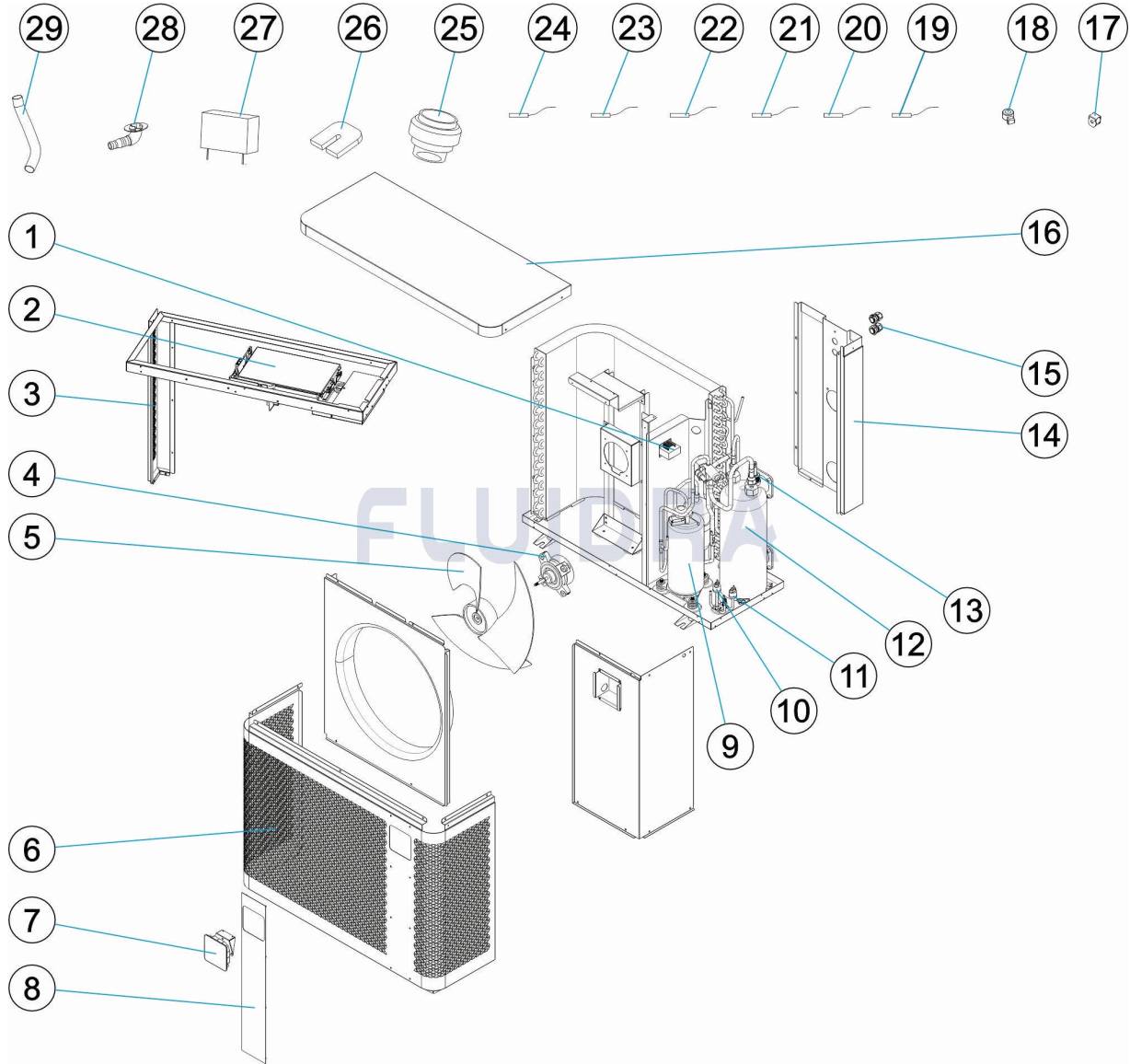
CODE **WH000580, WH000581, WH000590, WH000591**DESCRIPTION: **POMPE À CHALEUR MD 6 - 8**

6	* 75339R0213	PANNEAU AVANT	15	* 75311R0137	PRESSE-ÉTOUPE POUR CÂBLE
7	* 75311R0042A	CONTRÔLEUR	16	* 75311R0044	COUVERCLE SUPÉRIEUR
16	* 75311R0047	COUVERCLE SUPÉRIEUR	23	75336R0030	CAPTEUR TEMPÉRATURE ÉVAPORATEUR
16	* 75311R0115	PANNEAU SUPÉRIEUR	24	75336R0031	CAPTEUR TEMPÉRATURE DÉCHARGE GAZ
16	* 75338R0201	COUVERCLE SUPÉRIEUR	25	75311R0032	ENSEMBLES CONNEXION D'EAU
17	75336R0023	BOBINE VANNE 4 VOIES	26	75311R0035	PIEDS ANTI-VIBRATION
18	75336R0025	BOBINE EEV	27	* 75313R0036	COUVERTURE D'HIVERNAGE
19	75336R0037	CAPTEUR TEMPÉRATURE ASPIRATION GA	27	* 75340R0036	COUVERTURE D'HIVERNAGE
20	75336R0026	CAPTEUR TEMPÉRATURE EAU SORTIE	28	75311R0034	BUSE D'EAU
21	75336R0028	CAPTEUR TEMPÉRATURE ARRIVÉE D'EAU	29	75311R0033	TUYAU DE DRAINAGE
22	75336R0029	CAPTEUR TEMPÉRATURE AMBIANT			

CODE **WH000580, WH000581, WH000590, WH000591**DESCRIPTION: **POMPE À CHALEUR MD 6 - 8****OBSERVATIONS**

POS	CODE	OBSERVATIONS
2	* 75339R0021A	POUR: WH000580, WH000590
2	* 75339R0021B	POUR: WH000581, WH000591
3	* 75311R0041	POUR: WH000580
3	* 75311R0051	POUR: WH000581
3	* 75311R0118	POUR: WH000590
3	* 75336R0217	POUR: WH000591
4	* 75336R0015	POUR: WH000580, WH000590
4	* 75340R0015	POUR: WH000581, WH000591
6	* 75311R0046	POUR: WH000580
6	* 75311R0050	POUR: WH000581
6	* 75311R0117	POUR: WH000590
6	* 75339R0213	POUR: WH000591
7	* 75311R0042A	POUR: WH000590, WH000591
7	* 75311R0042B	POUR: WH000580, WH000581
8	* 75311R0049	POUR: WH000581, WH000591
8	* 75336R0238	POUR: WH000580, WH000590
14	* 75311R0045	POUR: WH000580
14	* 75311R0048	POUR: WH000581
14	* 75311R0116	POUR: WH000591
14	* 75339R0204	POUR: WH000590
15	* 75311R0002	POUR: WH000590, WH000591
15	* 75311R0137	POUR: WH000580, WH000581
16	* 75311R0044	POUR: WH000580
16	* 75311R0047	POUR: WH000581
16	* 75311R0115	POUR: WH000591
16	* 75338R0201	POUR: WH000590
27	* 75313R0036	POUR: WH000580, WH000590
27	* 75340R0036	POUR: WH000581, WH000591

CODE **WH000580, WH000581, WH000590, WH000591**

 DESCRIPTION: **HEAT PUMP MD 6 - 8**

ENGLISH

POS	CODE	DESCRIPTION	QUANTITY	POS	CODE	DESCRIPTION	QUANTITY
1	75339R0016	REACTOR		7	* 75311R0042B	CONTROLLER	
2	* 75339R0021A	PC BOARD		8	* 75311R0049	DECORATIVE PANEL RAL 9006	
2	* 75339R0021B	PC BOARD		8	* 75336R0238	DECORATION PANEL	
3	* 75311R0041	BACK SUPPORT COLUMN		9	75339R0009	COMPRESSORE	
3	* 75311R0051	BACK SUPPORT COLUMN		10	75336R0007	LOW PRESSURE SWITCH	
3	* 75311R0118	BACK SUPPORT COLUMN		11	75336R0008	HIGH PRESSURE SWITCH	
3	* 75336R0217	PILLAR		12	75339R0006	TITANIUM HEAT EXCHANGER	
4	* 75336R0015	FAN MOTOR		13	75336R0005	WATER FLOW SWITCH	
4	* 75340R0015	FAN MOTOR		14	* 75311R0045	BACK PANEL	
5	75313R0014	FAN BLADE		14	* 75311R0048	BACK PANEL	
6	* 75311R0046	FRONT PANEL		14	* 75311R0116	BACK PANEL	
6	* 75311R0050	FRONT PANEL		14	* 75339R0204	BACK PANEL	
6	* 75311R0117	FRONT PANEL		15	* 75311R0002	CABLE GLANDS	

* SEE OBSERVATIONS SHEET

CODE **WH000580, WH000581, WH000590, WH000591**

DESCRIPTION: **HEAT PUMP MD 6 - 8**

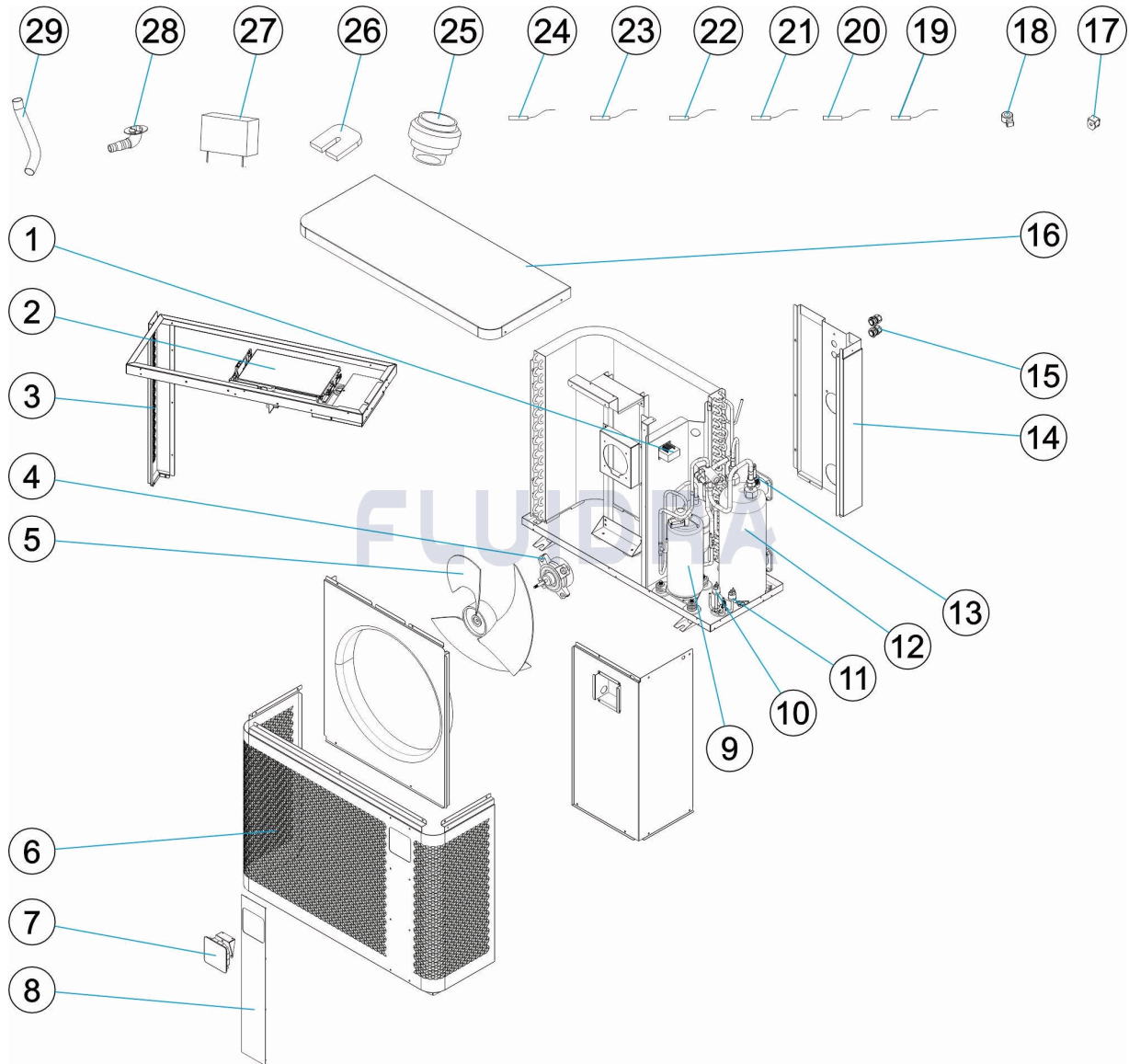
6	* 75339R0213	FRONT PANEL	15	* 75311R0137	CABLE GLANDS
7	* 75311R0042A	CONTROLLER	16	* 75311R0044	TOP COVER
16	* 75311R0047	TOP COVER	23	75336R0030	WATER INLET TEMPERATURE EVAPORATO
16	* 75311R0115	TOP PANEL	24	75336R0031	GAS DISCHARGE TEMPERATURE SENSOR
16	* 75338R0201	TOP COVER	25	75311R0032	WATER CONNECTION SETS
17	75336R0023	4-WAY VALVE COIL	26	75311R0035	ANTI-VIBRATION FEET
18	75336R0025	EEV COIL	27	* 75313R0036	WINTER COVER
19	75336R0037	GAS SUCTION TEMPERATURE SENSOR	27	* 75340R0036	WINTER COVER
20	75336R0026	WATER OUTLET TEMPERATURE SENSOR	28	75311R0034	WATER NOZZLE
21	75336R0028	WATER INLET TEMPERATURE SENSOR	29	75311R0033	DRAIN HOSE
22	75336R0029	AMBIENT TEMPERATURE SENSOR			

CODE **WH000580, WH000581, WH000590, WH000591**DESCRIPTION: **HEAT PUMP MD 6 - 8**

OBSERVATIONS

POS	CODE	OBSERVATIONS
2	* 75339R0021A	FOR: WH000580, WH000590
2	* 75339R0021B	FOR: WH000581, WH000591
3	* 75311R0041	FOR: WH000580
3	* 75311R0051	FOR: WH000581
3	* 75311R0118	FOR: WH000590
3	* 75336R0217	FOR: WH000591
4	* 75336R0015	FOR: WH000580, WH000590
4	* 75340R0015	FOR: WH000581, WH000591
6	* 75311R0046	FOR: WH000580
6	* 75311R0050	FOR: WH000581
6	* 75311R0117	FOR: WH000590
6	* 75339R0213	FOR: WH000591
7	* 75311R0042A	FOR: WH000590, WH000591
7	* 75311R0042B	FOR: WH000580, WH000581
8	* 75311R0049	FOR: WH000581, WH000591
8	* 75336R0238	FOR: WH000580, WH000590
14	* 75311R0045	FOR: WH000580
14	* 75311R0048	FOR: WH000581
14	* 75311R0116	FOR: WH000591
14	* 75339R0204	FOR: WH000590
15	* 75311R0002	FOR: WH000590, WH000591
15	* 75311R0137	FOR: WH000580, WH000581
16	* 75311R0044	FOR: WH000580
16	* 75311R0047	FOR: WH000581
16	* 75311R0115	FOR: WH000591
16	* 75338R0201	FOR: WH000590
27	* 75313R0036	FOR: WH000580, WH000590
27	* 75340R0036	FOR: WH000581, WH000591

CODICE **WH000580, WH000581, WH000590, WH000591**

 DESCRIZIONE: **POMPA DI CALORE MD 6 - 8**

ITALIANO

POS	CODICE	DESCRIZIONE	QUANTITA'	POS	CODICE	DESCRIZIONE	QUANTITA'
1	75339R0016	REATTORE		7	* 75311R0042B	CONTROLADOR	
2	* 75339R0021A	SCHEDA BASE PCB		8	* 75311R0049	PANNELLO DECORATIVO RAL 9006	
2	* 75339R0021B	SCHEDA BASE PCB		8	* 75336R0238	PANNELLO DI DECORAZIONE	
3	* 75311R0041	COLONNA DI SOSTEGNO DELLO SCHIENA		9	75339R0009	COMPRESSORE	
3	* 75311R0051	COLONNA DI SOSTEGNO DELLO SCHIENA		10	75336R0007	RILEVATORE BASSO PRESSIONE	
3	* 75311R0118	COLONNA DI SOSTEGNO DELLO SCHIENA		11	75336R0008	RILEVATORE DI ALTA PRESSIONE	
3	* 75336R0217	PILASTRO		12	75339R0006	INTERCAMBIATORE IN TITANIO	
4	* 75336R0015	MOTORE VENTOLA		13	75336R0005	FLUSSOSTATO	
4	* 75340R0015	MOTORE VENTOLA		14	* 75311R0045	PANNELLO INDIETRO	
5	75313R0014	PALE VENTILATORE		14	* 75311R0048	PANNELLO INDIETRO	
6	* 75311R0046	PANNELLO FRONTALE		14	* 75311R0116	PANNELLO INDIETRO	
6	* 75311R0050	PANNELLO FRONTALE		14	* 75339R0204	PANNELLO INDIETRO	
6	* 75311R0117	PANNELLO FRONTALE		15	* 75311R0002	PRESSACAVI	

* SI FACCIA RIFERIMENTO AL FOGLIO DELLE OSSERVAZIONI

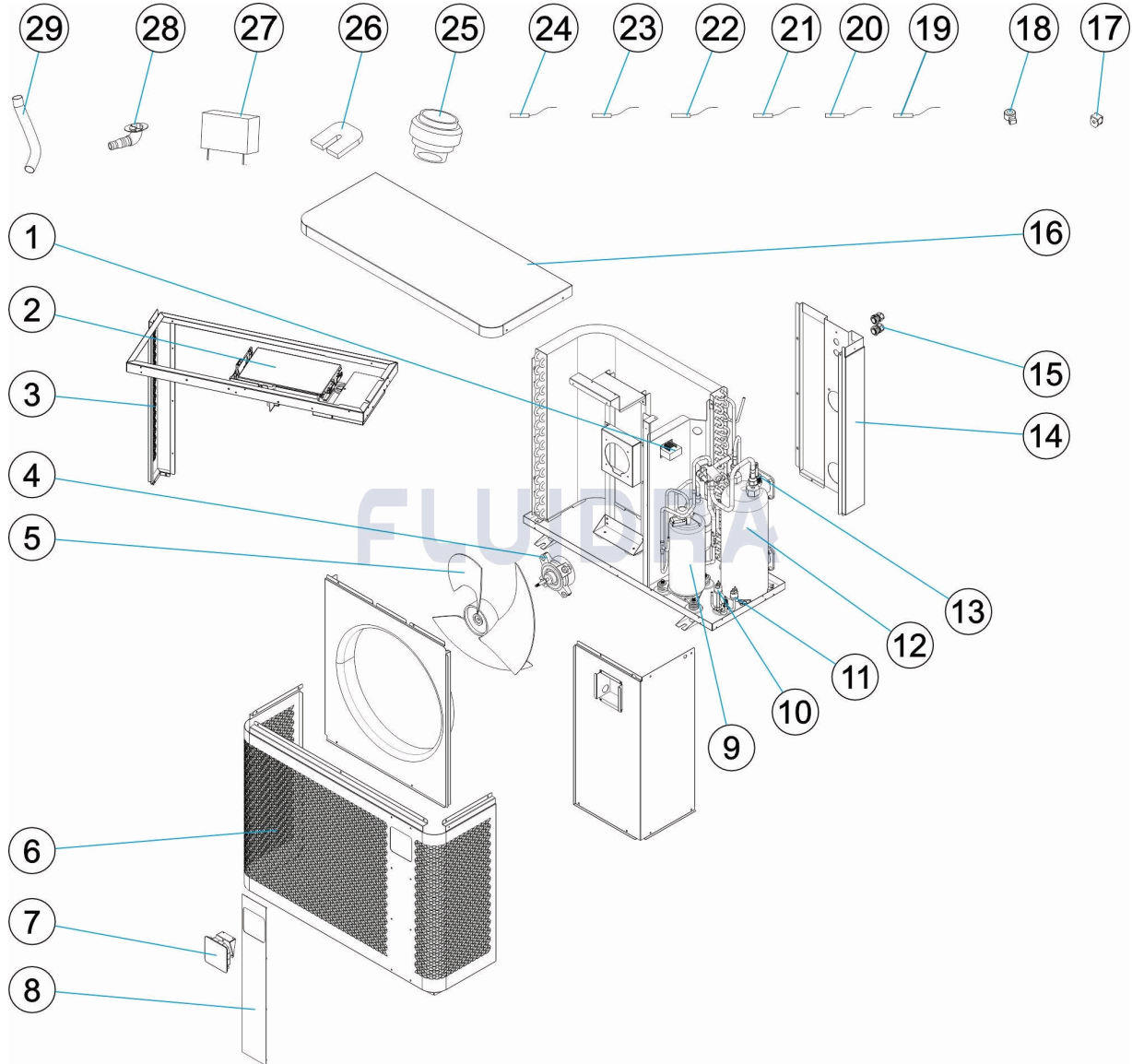
CODICE **WH000580, WH000581, WH000590, WH000591**DESCRIZIONE: **POMPA DI CALORE MD 6 - 8**

6	* 75339R0213	PANNELLO FRONTALE	15	* 75311R0137	PREMISTOPPA
7	* 75311R0042A	CONTROLADOR	16	* 75311R0044	COPERCHIO SUPERIORE
16	* 75311R0047	COPERCHIO SUPERIORE	23	75336R0030	SENSORE TEMPERATURA EVAPORATORE
16	* 75311R0115	PANNELLO SUPERIORE	24	75336R0031	SENSORE TEMPERATURA SCARICO GAS
16	* 75338R0201	COPERCHIO SUPERIORE	25	75311R0032	SET CONNESSIONE DELL'ACQUA
17	75336R0023	BOBINA VALVOLA A 4 VIE	26	75311R0035	PIEDINI ANTIVIBRAZIONE
18	75336R0025	BOBINA EEV	27	* 75313R0036	COPERTA DI INVERNO
19	75336R0037	SENSORE TEMPERATURA ASPIRAZIONE C	27	* 75340R0036	COPERTA DI INVERNO
20	75336R0026	SENSORE TEMPERATURA USCITA ACQUA	28	75311R0034	UGELLO DELL'ACQUA
21	75336R0028	SENSORE TEMPERATURA INGRESSO ACC	29	75311R0033	TUBO DI SCARICO
22	75336R0029	SENSORE TEMPERATURA AMBIENTE			

CODICE **WH000580, WH000581, WH000590, WH000591**DESCRIZIONE: **POMPA DI CALORE MD 6 - 8****OSSERVAZIONI**

POS	CODICE	OSSERVAZIONI
2	* 75339R0021A	PER: WH000580, WH000590
2	* 75339R0021B	PER: WH000581, WH000591
3	* 75311R0041	PER: WH000580
3	* 75311R0051	PER: WH000581
3	* 75311R0118	PER: WH000590
3	* 75336R0217	PER: WH000591
4	* 75336R0015	PER: WH000580, WH000590
4	* 75340R0015	PER: WH000581, WH000591
6	* 75311R0046	PER: WH000580
6	* 75311R0050	PER: WH000581
6	* 75311R0117	PER: WH000590
6	* 75339R0213	PER: WH000591
7	* 75311R0042A	PER: WH000590, WH000591
7	* 75311R0042B	PER: WH000580, WH000581
8	* 75311R0049	PER: WH000581, WH000591
8	* 75336R0238	PER: WH000580, WH000590
14	* 75311R0045	PER: WH000580
14	* 75311R0048	PER: WH000581
14	* 75311R0116	PER: WH000591
14	* 75339R0204	PER: WH000590
15	* 75311R0002	PER: WH000590, WH000591
15	* 75311R0137	PER: WH000580, WH000581
16	* 75311R0044	PER: WH000580
16	* 75311R0047	PER: WH000581
16	* 75311R0115	PER: WH000591
16	* 75338R0201	PER: WH000590
27	* 75313R0036	PER: WH000580, WH000590
27	* 75340R0036	PER: WH000581, WH000591

CODE **WH000580, WH000581, WH000590, WH000591**

 BESCHREIBUNG: **WÄRMEPUMPE MD 6 - 8**

DEUTSCH

POS	CODE	BESCHREIBUNG	MENGE	POS	CODE	BESCHREIBUNG	MENGE
1	75339R0016	REAKTOR		7	* 75311R0042B	STEUERUNG	
2	* 75339R0021A	BASISPLATTE PCB		8	* 75311R0049	DEKORPLATTE RAL 9006	
2	* 75339R0021B	BASISPLATTE PCB		8	* 75336R0238	DEKORATIONSPLATTE	
3	* 75311R0041	HINTERE SÄULENSTÜTZE		9	75339R0009	KOMPRESSOR	
3	* 75311R0051	HINTERE SÄULENSTÜTZE		10	75336R0007	DETEKTOR NIEDERDRUCK	
3	* 75311R0118	HINTERE SÄULENSTÜTZE		11	75336R0008	DETEKTOR HOCHDRUCK	
3	* 75336R0217	SÄULE		12	75339R0006	WÄRMEÜBERTRAGER TITANIUM	
4	* 75336R0015	LÜFTERMOTOR		13	75336R0005	DURCHFLUSSMESSER	
4	* 75340R0015	LÜFTERMOTOR		14	* 75311R0045	FÜHRERHAUSRÜCKWAND	
5	75313R0014	ROTORBLÄTTER VENTILATOR		14	* 75311R0048	FÜHRERHAUSRÜCKWAND	
6	* 75311R0046	FRONTPLATTE		14	* 75311R0116	FÜHRERHAUSRÜCKWAND	
6	* 75311R0050	FRONTPLATTE		14	* 75339R0204	FÜHRERHAUSRÜCKWAND	
6	* 75311R0117	FRONTPLATTE		15	* 75311R0002	KABELVERSCHRAUBUNGEN	

* SIEHE ANMERKUGSBLATT

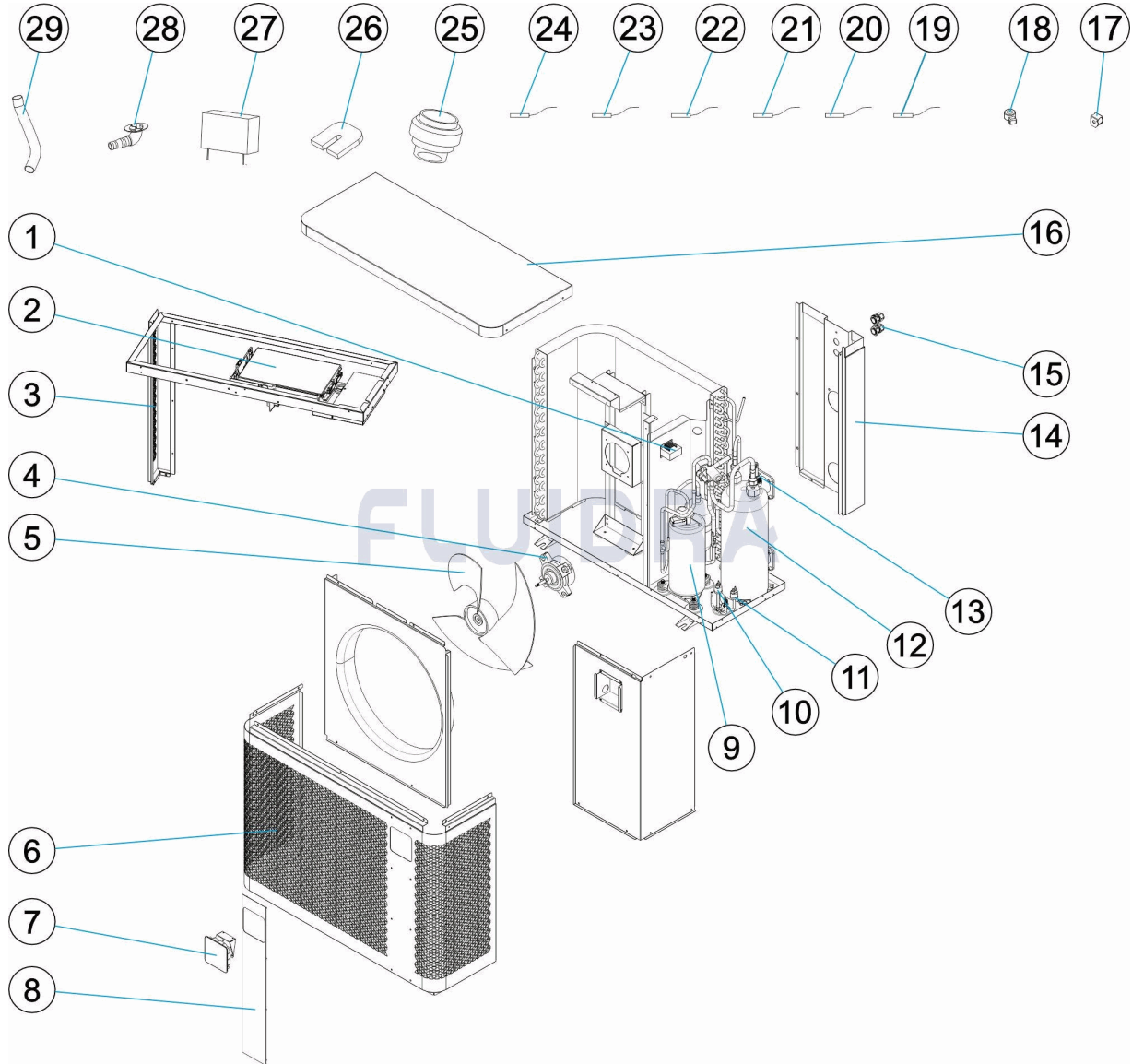
CODE **WH000580, WH000581, WH000590, WH000591**BESCHREIBUNG: **WÄRMEPUMPE MD 6 - 8**

6	* 75339R0213	FRONTPLATTE	15	* 75311R0137	KABELEINFÜHRUNG
7	* 75311R0042A	STEUERUNG	16	* 75311R0044	ABDECKUNG OBEN
16	* 75311R0047	ABDECKUNG OBEN	23	75336R0030	VERDAMPFER TEMPERATURFÜHLER
16	* 75311R0115	ABDECKUNG	24	75336R0031	GASDAUER TEMPERATURFÜHLER
16	* 75338R0201	ABDECKUNG OBEN	25	75311R0032	WASSERANSCHLUSS SET
17	75336R0023	SPULE 4-WEGE-VENTIL	26	75311R0035	ANTI-VIBRATIONSFÜSSE
18	75336R0025	SPULE EEV	27	* 75313R0036	WINTERDECKEL
19	75336R0037	GASANSAUG TEMPERATURFÜHLER	27	* 75340R0036	WINTERDECKEL
20	75336R0026	WASSERABFLUSS TEMPERATURFÜHLER	28	75311R0034	WASSERDÜSE
21	75336R0028	WASSERZUFLUSS TEMPERATURFÜHLER	29	75311R0033	ABFLUSSSCHLAUCH
22	75336R0029	UMGEBUNGS TEMPERATURFÜHLER			

CODE **WH000580, WH000581, WH000590, WH000591**BESCHREIBUNG: **WÄRMEPUMPE MD 6 - 8****HINWEISE**

POS	CODE	HINWEISE
2	* 75339R0021A	FÜR: WH000580, WH000590
2	* 75339R0021B	FÜR: WH000581, WH000591
3	* 75311R0041	FÜR: WH000580
3	* 75311R0051	FÜR: WH000581
3	* 75311R0118	FÜR: WH000590
3	* 75336R0217	FÜR: WH000591
4	* 75336R0015	FÜR: WH000580, WH000590
4	* 75340R0015	FÜR: WH000581, WH000591
6	* 75311R0046	FÜR: WH000580
6	* 75311R0050	FÜR: WH000581
6	* 75311R0117	FÜR: WH000590
6	* 75339R0213	FÜR: WH000591
7	* 75311R0042A	FÜR: WH000590, WH000591
7	* 75311R0042B	FÜR: WH000580, WH000581
8	* 75311R0049	FÜR: WH000581, WH000591
8	* 75336R0238	FÜR: WH000580, WH000590
14	* 75311R0045	FÜR: WH000580
14	* 75311R0048	FÜR: WH000581
14	* 75311R0116	FÜR: WH000591
14	* 75339R0204	FÜR: WH000590
15	* 75311R0002	FÜR: WH000590, WH000591
15	* 75311R0137	FÜR: WH000580, WH000581
16	* 75311R0044	FÜR: WH000580
16	* 75311R0047	FÜR: WH000581
16	* 75311R0115	FÜR: WH000591
16	* 75338R0201	FÜR: WH000590
27	* 75313R0036	FÜR: WH000580, WH000590
27	* 75340R0036	FÜR: WH000581, WH000591

CODIGO **WH000580, WH000581, WH000590, WH000591**

 DESCRIÇÃO: **BOMBA DE CALOR MD 6 - 8**


PORTUGUES

POS	CODIGO	DESCRIÇÃO	JANTIDADE	POS	CODIGO	DESCRIÇÃO	JANTIDADE
1	75339R0016	REACTOR		7	* 75311R0042B	CONTROLLATORE	
2	* 75339R0021A	PLACA BASE PCB		8	* 75311R0049	PAINEL DECORATIVO RAL 9006	
2	* 75339R0021B	PLACA BASE PCB		8	* 75336R0238	PAINEL DE DECORAÇÃO	
3	* 75311R0041	COLUNA DE APOIO TRASEIRO		9	75339R0009	COMPRESSOR	
3	* 75311R0051	COLUNA DE APOIO TRASEIRO		10	75336R0007	DETECTOR DE BAIXA PRESSÃO	
3	* 75311R0118	COLUNA DE APOIO TRASEIRO		11	75336R0008	DETECTOR DE ALTA PRESSÃO	
3	* 75336R0217	PILAR		12	75339R0006	PERMUTADOR DE TITÂNIO	
4	* 75336R0015	MOTOR VENTILADOR		13	75336R0005	FLUXO-ESTATO	
4	* 75340R0015	MOTOR VENTILADOR		14	* 75311R0045	PAINEL TRASEIRO	
5	75313R0014	PÁS VENTILADOR		14	* 75311R0048	PAINEL TRASEIRO	
6	* 75311R0046	PAINEL FRONTAL		14	* 75311R0116	PAINEL TRASEIRO	
6	* 75311R0050	PAINEL FRONTAL		14	* 75339R0204	PAINEL TRASEIRO	
6	* 75311R0117	PAINEL FRONTAL		15	* 75311R0002	PRENSA-CABOS	

* VEJA A FICHA DE OBSERVAÇÕES

CODIGO **WH000580, WH000581, WH000590, WH000591**DESCRIÇÃO: **BOMBA DE CALOR MD 6 - 8**

6	* 75339R0213	PAINEL FRONTAL	15	* 75311R0137	PRENSA-ESTOPAS PARA CABO
7	* 75311R0042A	CONTROLLATORE	16	* 75311R0044	TAMPA SUPERIOR
16	* 75311R0047	TAMPA SUPERIOR	23	75336R0030	SENSOR TEMPERATURA EVAPORADOR
16	* 75311R0115	PANNEAU SUPERIEUR	24	75336R0031	SENSOR TEMPERATURA DESCARGA GÁS
16	* 75338R0201	TAMPA SUPERIOR	25	75311R0032	CONJECTIVOS CONEXÃO DE ÁGUA
17	75336R0023	BOBINA VÁLVULA DE 4 VIAS	26	75311R0035	PÉS ANTIVIBRAÇÃO
18	75336R0025	BOBINA EEV	27	* 75313R0036	COBERTURA DE INVERNO
19	75336R0037	SENSOR TEMPERATURA SUCÇÃO GÁS	27	* 75340R0036	COBERTURA DE INVERNO
20	75336R0026	SENSOR TEMPERATURA SAÍDA ÁGUA	28	75311R0034	BOCAL DE ÁGUA
21	75336R0028	SENSOR TEMPERATURA ENTRADA ÁGUA	29	75311R0033	MANGUEIRA DE DRENAGEM
22	75336R0029	SENSOR TEMPERATURA AMBIENTE			

CODIGO **WH000580, WH000581, WH000590, WH000591**DESCRIÇÃO: **BOMBA DE CALOR MD 6 - 8****OBSERVAÇÕES**

POS	CODIGO	OBSERVAÇÕES
2	* 75339R0021A	PARA: WH000580, WH000590
2	* 75339R0021B	PARA: WH000581, WH000591
3	* 75311R0041	PARA: WH000580
3	* 75311R0051	PARA: WH000581
3	* 75311R0118	PARA: WH000590
3	* 75336R0217	PARA: WH000591
4	* 75336R0015	PARA: WH000580, WH000590
4	* 75340R0015	PARA: WH000581, WH000591
6	* 75311R0046	PARA: WH000580
6	* 75311R0050	PARA: WH000581
6	* 75311R0117	PARA: WH000590
6	* 75339R0213	PARA: WH000591
7	* 75311R0042A	PARA: WH000590, WH000591
7	* 75311R0042B	PARA: WH000580, WH000581
8	* 75311R0049	PARA: WH000581, WH000591
8	* 75336R0238	PARA: WH000580, WH000590
14	* 75311R0045	PARA: WH000580
14	* 75311R0048	PARA: WH000581
14	* 75311R0116	PARA: WH000591
14	* 75339R0204	PARA: WH000590
15	* 75311R0002	PARA: WH000590, WH000591
15	* 75311R0137	PARA: WH000580, WH000581
16	* 75311R0044	PARA: WH000580
16	* 75311R0047	PARA: WH000581
16	* 75311R0115	PARA: WH000591
16	* 75338R0201	PARA: WH000590
27	* 75313R0036	PARA: WH000580, WH000590
27	* 75340R0036	PARA: WH000581, WH000591