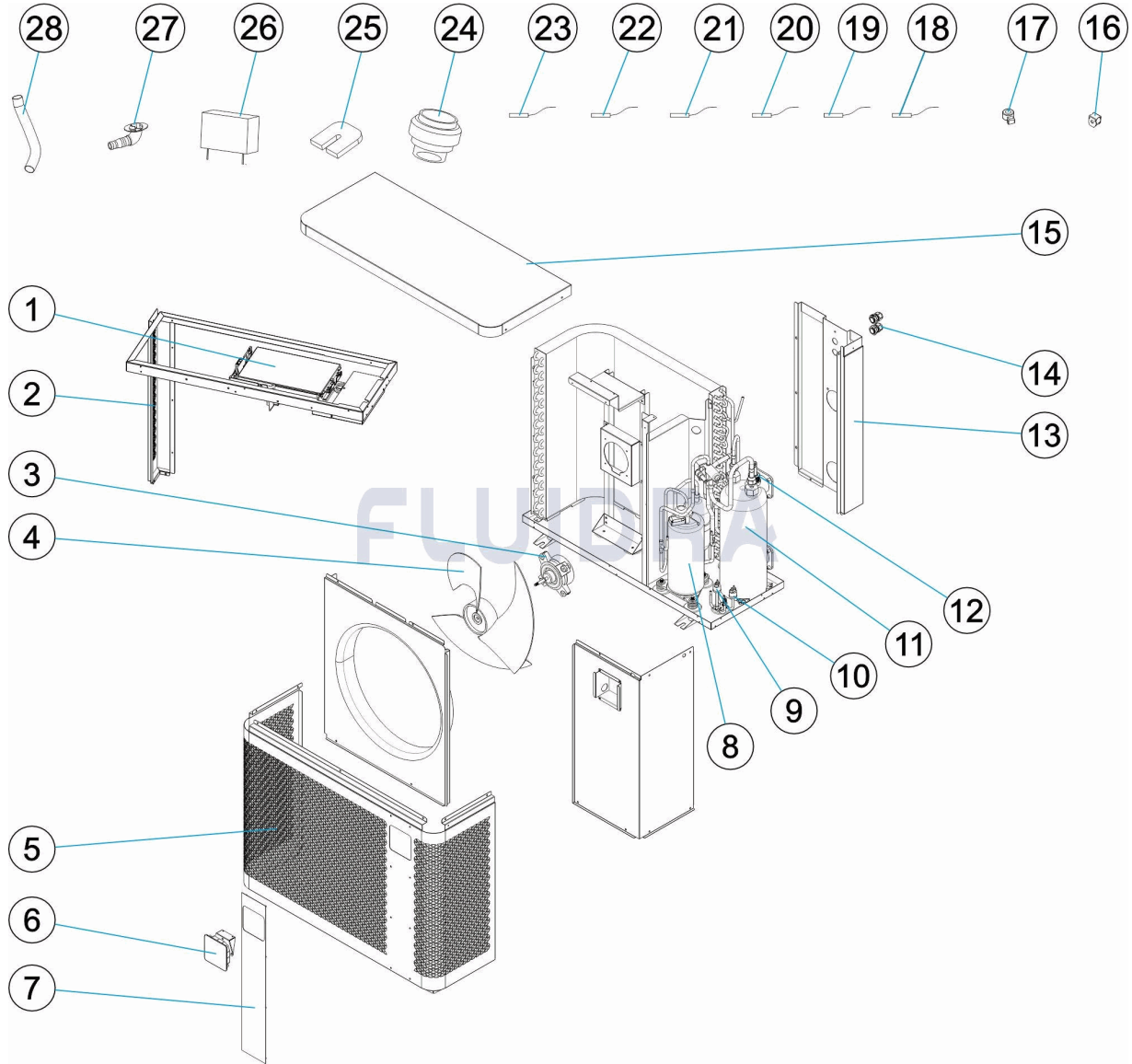


CODIGO WH000577, WH000578, WH000579, WH000587, WH000588, WH000589

DESCRIPCION: BOMBA DE CALOR MD 3 - 4 - 5



ESPAÑOL

POS	CODIGO	DESCRIPCION	CANTIDAD	POS	CODIGO	DESCRIPCION	CANTIDAD
1	* 75336R0021A	PLACA BASE PCB		10	75336R0008	DETECTOR DE PRESIÓN ALTA	
1	* 75336R0021B	PLACA BASE PCB		11	* 75311R0006	INTERCAMBIADOR DE TITANIO	
1	* 75338R0021	PLACA BASE PCB		11	* 75312R0006	INTERCAMBIADOR DE TITANIO	
2	* 75311R0041	COLUMNA SOPORTE TRASERO		11	* 75313R0006	INTERCAMBIADOR DE TITANIO	
2	* 75336R0217	PILAR		12	75336R0005	FLUJOSTATO	
3	75336R0015	MOTOR VENTILADOR		13	* 75311R0039	PANEL TRASERO	
4	75311R0014	ASPAS VENTILADOR		13	* 75311R0043	PANEL TRASERO	
5	* 75311R0040	PANEL FRONTAL		13	* 75336R0204	PANEL TRASERO	
5	* 75336R0213	PANEL FRONTAL		13	* 75338R0204	PANEL TRASERO	
6	* 75311R0042A	CONTROLADOR		14	* 75311R0002	PRENSAESTOPAS	
6	* 75311R0042B	CONTROLADOR		14	* 75311R0137	PRENSAESTOPAS PARA CABLE	
7	75336R0238	PANEL DE DECORACIÓN		15	* 75311R0038	PANEL SUPERIOR	
8	* 75336R0009	COMPRESOR		15	* 75336R0201	TAPA SUPERIOR	

* NOTA OBSERVACIONES

CODIGO **WH000577, WH000578, WH000579, WH000587, WH000588, WH000589**DESCRIPCION: **BOMBA DE CALOR MD 3 - 4 - 5**

8	* 75337R0009	COMPRESOR	16	75336R0023	BOBINA VALVULA DE 4 VIAS
9	75336R0007	DETECTOR DE PRESIÓN BAJA	17	75336R0025	BOBINA EEV
18	75336R0037	SENSOR TEMPERATURA SUCCIÓN GAS	24	75311R0032	KIT DE CONEXIÓN AGUA
19	75336R0026	SENSOR TEMPERATURA SORTIDA AIGUA	25	75311R0035	PIES ANTIVIBRATORIOS
20	75336R0028	SENSOR TEMPERATURA ENTRADA AGUA	26	75311R0036	CUBIERTA DE INVIERNO
21	75336R0029	SENSOR TEMPERATURA AMBIENTE	27	75311R0034	BOQUILLA DE AGUA
22	75336R0030	SENSOR TEMPERATURA EVAPORADOR	28	75311R0033	MANGUERA DE DRENAJE
23	75336R0031	SENSOR TEMPERATURA DESCARGA GAS			

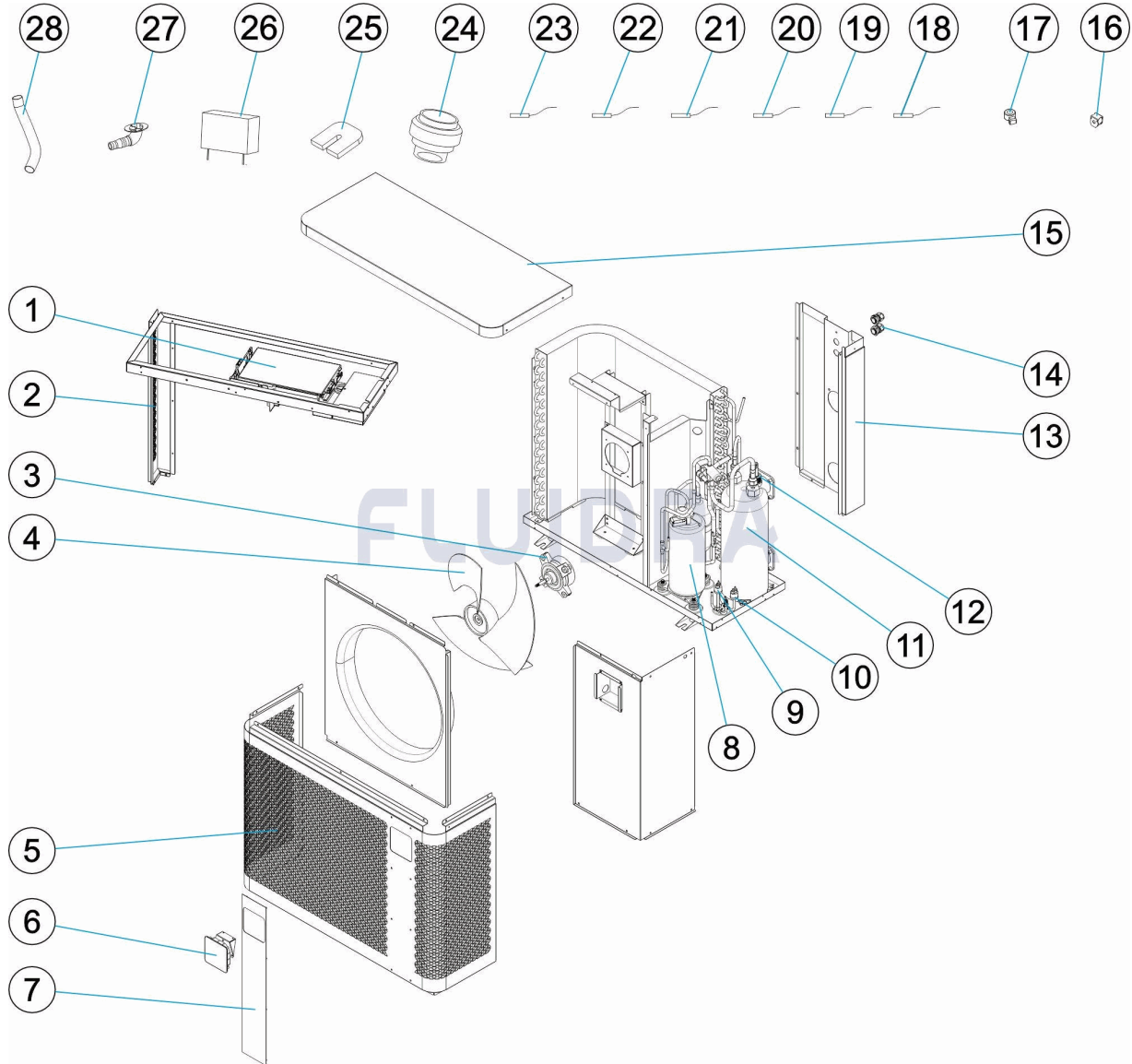
CODIGO **WH000577, WH000578, WH000579, WH000587, WH000588, WH000589**DESCRIPCION: **BOMBA DE CALOR MD 3 - 4 - 5**

OBSERVACIONES

POS	CODIGO	OBSERVACIONES
1	* 75336R0021A	PARA: WH000577, WH000587
1	* 75336R0021B	PARA: WH000578, WH000588
1	* 75338R0021	PARA: WH000579, WH000589
2	* 75311R0041	PARA: WH000577, WH000578, WH000579
2	* 75336R0217	PARA: WH000587, WH000588, WH000589
5	* 75311R0040	PARA: WH000577, WH000578, WH000579
5	* 75336R0213	PARA: WH000587, WH000588, WH000589
6	* 75311R0042A	PARA: WH000587, WH000588, WH000589
6	* 75311R0042B	PARA: WH000577, WH000578, WH000579
8	* 75336R0009	PARA: WH000577, WH000587
8	* 75337R0009	PARA: WH000578, WH000579, WH000588, WH000589
11	* 75311R0006	PARA: WH000577, WH000587
11	* 75312R0006	PARA: WH000578, WH000588
11	* 75313R0006	PARA: WH000579, WH000589
13	* 75311R0039	PARA: WH000577, WH000578
13	* 75311R0043	PARA: WH000579
13	* 75336R0204	PARA: WH000587, WH000588
13	* 75338R0204	PARA: WH000589
14	* 75311R0002	PARA: WH000587, WH000588, WH000589
14	* 75311R0137	PARA: WH000577, WH000578, WH000579
15	* 75311R0038	PARA: WH000577, WH000578, WH000579
15	* 75336R0201	PARA: WH000587, WH000588, WH000589

CODE **WH000577, WH000578, WH000579, WH000587, WH000588, WH000589**

DESCRIPTION: **POMPE À CHALEUR MD 3 - 4 - 5**



FRANCAIS

POS	CODE	DESCRIPTION	QUANTITE	POS	CODE	DESCRIPTION	QUANTITE
1	* 75336R0021A	PLAQUE BASE PCB		10	75336R0008	DÉTECTEUR HAUTE PRESSION	
1	* 75336R0021B	PLAQUE BASE PCB		11	* 75311R0006	ÉCHANGEUR EN TITANE	
1	* 75338R0021	PLAQUE BASE PCB		11	* 75312R0006	ÉCHANGEUR EN TITANE	
2	* 75311R0041	COLONNE DE SUPPORT DORSAL		11	* 75313R0006	ÉCHANGEUR EN TITANE	
2	* 75336R0217	PILIER		12	75336R0005	CONTROLEUR DE DEBIT	
3	75336R0015	MOTEUR VENTILATEUR		13	* 75311R0039	PANNEAU ARRIÈRE	
4	75311R0014	PALES VENTILATEUR		13	* 75311R0043	PANNEAU ARRIÈRE	
5	* 75311R0040	PANNEAU AVANT		13	* 75336R0204	PANNEAU ARRIÈRE	
5	* 75336R0213	PANNEAU AVANT		13	* 75338R0204	PANNEAU ARRIÈRE	
6	* 75311R0042A	CONTRÔLEUR		14	* 75311R0002	PRESSE-ÉTOUPES	
6	* 75311R0042B	CONTRÔLEUR		14	* 75311R0137	PRESSE-ÉTOUPE POUR CÂBLE	
7	75336R0238	PANNEAU DE DÉCORATION		15	* 75311R0038	PANNEAU SUPÉRIEUR	
8	* 75336R0009	COMPRESSEUR		15	* 75336R0201	COUVERCLE SUPÉRIEUR	

* VOIR FICHE D'OBSERVATIONS

CODE **WH000577, WH000578, WH000579, WH000587, WH000588, WH000589**DESCRIPTION: **POMPE À CHALEUR MD 3 - 4 - 5**

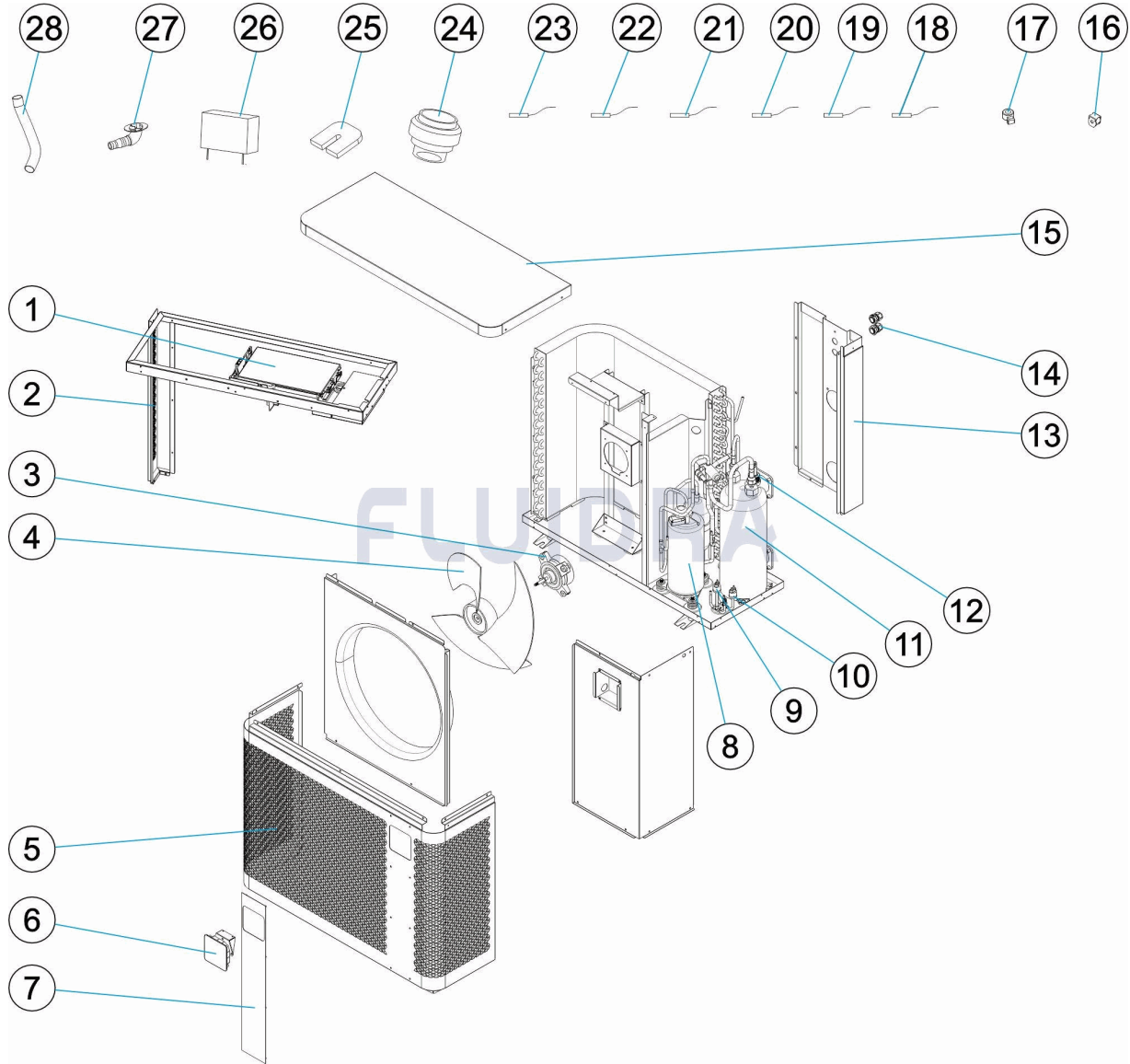
8	* 75337R0009	COMPRESSEUR	16	75336R0023	BOBINE VANNE 4 VOIES
9	75336R0007	DÉTECTEUR BASSE PRESSION	17	75336R0025	BOBINE EEV
18	75336R0037	CAPTEUR TEMPÉRATURE ASPIRATION GA	24	75311R0032	ENSEMBLES CONNEXION D'EAU
19	75336R0026	CAPTEUR TEMPÉRATURE EAU SORTIE	25	75311R0035	PIEDS ANTI-VIBRATION
20	75336R0028	CAPTEUR TEMPÉRATURE ARRIVÉE D'EAU	26	75311R0036	COUVERTURE D'HIVERNAGE
21	75336R0029	CAPTEUR TEMPÉRATURE AMBIANT	27	75311R0034	BUSE D'EAU
22	75336R0030	CAPTEUR TEMPÉRATURE ÉVAPORATEUR	28	75311R0033	TUYAU DE DRAINAGE
23	75336R0031	CAPTEUR TEMPÉRATURE DÉCHARGE GA			

CODE **WH000577, WH000578, WH000579, WH000587, WH000588, WH000589**DESCRIPTION: **POMPE À CHALEUR MD 3 - 4 - 5****OBSERVATIONS**

POS	CODE	OBSERVATIONS
1	* 75336R0021A	POUR: WH000577, WH000587
1	* 75336R0021B	POUR: WH000578, WH000588
1	* 75338R0021	POUR: WH000579, WH000589
2	* 75311R0041	POUR: WH000577, WH000578, WH000579
2	* 75336R0217	POUR: WH000587, WH000588, WH000589
5	* 75311R0040	POUR: WH000577, WH000578, WH000579
5	* 75336R0213	POUR: WH000587, WH000588, WH000589
6	* 75311R0042A	POUR: WH000587, WH000588, WH000589
6	* 75311R0042B	POUR: WH000577, WH000578, WH000579
8	* 75336R0009	POUR: WH000577, WH000587
8	* 75337R0009	POUR: WH000578, WH000579, WH000588, WH000589
11	* 75311R0006	POUR: WH000577, WH000587
11	* 75312R0006	POUR: WH000578, WH000588
11	* 75313R0006	POUR: WH000579, WH000589
13	* 75311R0039	POUR: WH000577, WH000578
13	* 75311R0043	POUR: WH000579
13	* 75336R0204	POUR: WH000587, WH000588
13	* 75338R0204	POUR: WH000589
14	* 75311R0002	POUR: WH000587, WH000588, WH000589
14	* 75311R0137	POUR: WH000577, WH000578, WH000579
15	* 75311R0038	POUR: WH000577, WH000578, WH000579
15	* 75336R0201	POUR: WH000587, WH000588, WH000589

CODE

WH000577, WH000578, WH000579, WH000587, WH000588, WH000589

 DESCRIPTION: **HEAT PUMP MD 3 - 4 - 5**

ENGLISH

POS	CODE	DESCRIPTION	QUANTITY	POS	CODE	DESCRIPTION	QUANTITY
1	* 75336R0021A	PC BOARD		10	75336R0008	HIGH PRESSURE SWITCH	
1	* 75336R0021B	PC BOARD		11	* 75311R0006	TITANIUM HEAT EXCHANGER	
1	* 75338R0021	PC BOARD		11	* 75312R0006	TITANIUM HEAT EXCHANGER	
2	* 75311R0041	BACK SUPPORT COLUMN		11	* 75313R0006	TITANIUM HEAT EXCHANGER	
2	* 75336R0217	PILLAR		12	75336R0005	WATER FLOW SWITCH	
3	75336R0015	FAN MOTOR		13	* 75311R0039	BACK PANEL	
4	75311R0014	FAN BLADE		13	* 75311R0043	BACK PANEL	
5	* 75311R0040	FRONT PANEL		13	* 75336R0204	BACK PANEL	
5	* 75336R0213	FRONT PANEL		13	* 75338R0204	BACK PANEL	
6	* 75311R0042A	CONTROLLER		14	* 75311R0002	CABLE GLANDS	
6	* 75311R0042B	CONTROLLER		14	* 75311R0137	CABLE GLANDS	
7	75336R0238	DECORATION PANEL		15	* 75311R0038	TOP PANEL	
8	* 75336R0009	COMPRESSORE		15	* 75336R0201	TOP COVER	

* SEE OBSERVATIONS SHEET

CODE **WH000577, WH000578, WH000579, WH000587, WH000588, WH000589**

DESCRIPTION: **HEAT PUMP MD 3 - 4 - 5**

8	* 75337R0009	COMPRESSORE	16	75336R0023	4-WAY VALVE COIL
9	75336R0007	LOW PRESSURE SWITCH	17	75336R0025	EEV COIL
18	75336R0037	GAS SUCTION TEMPERATURE SENSOR	24	75311R0032	WATER CONNECTION SETS
19	75336R0026	WATER OUTLET TEMPERATURE SENSOR	25	75311R0035	ANTI-VIBRATION FEET
20	75336R0028	WATER INLET TEMPERATURE SENSOR	26	75311R0036	WINTER COVER
21	75336R0029	AMBIENT TEMPERATURE SENSOR	27	75311R0034	WATER NOZZLE
22	75336R0030	WATER INLET TEMPERATURE EVAPORATC	28	75311R0033	DRAIN HOSE
23	75336R0031	GAS DISCHARGE TEMPERATURE SENSO			

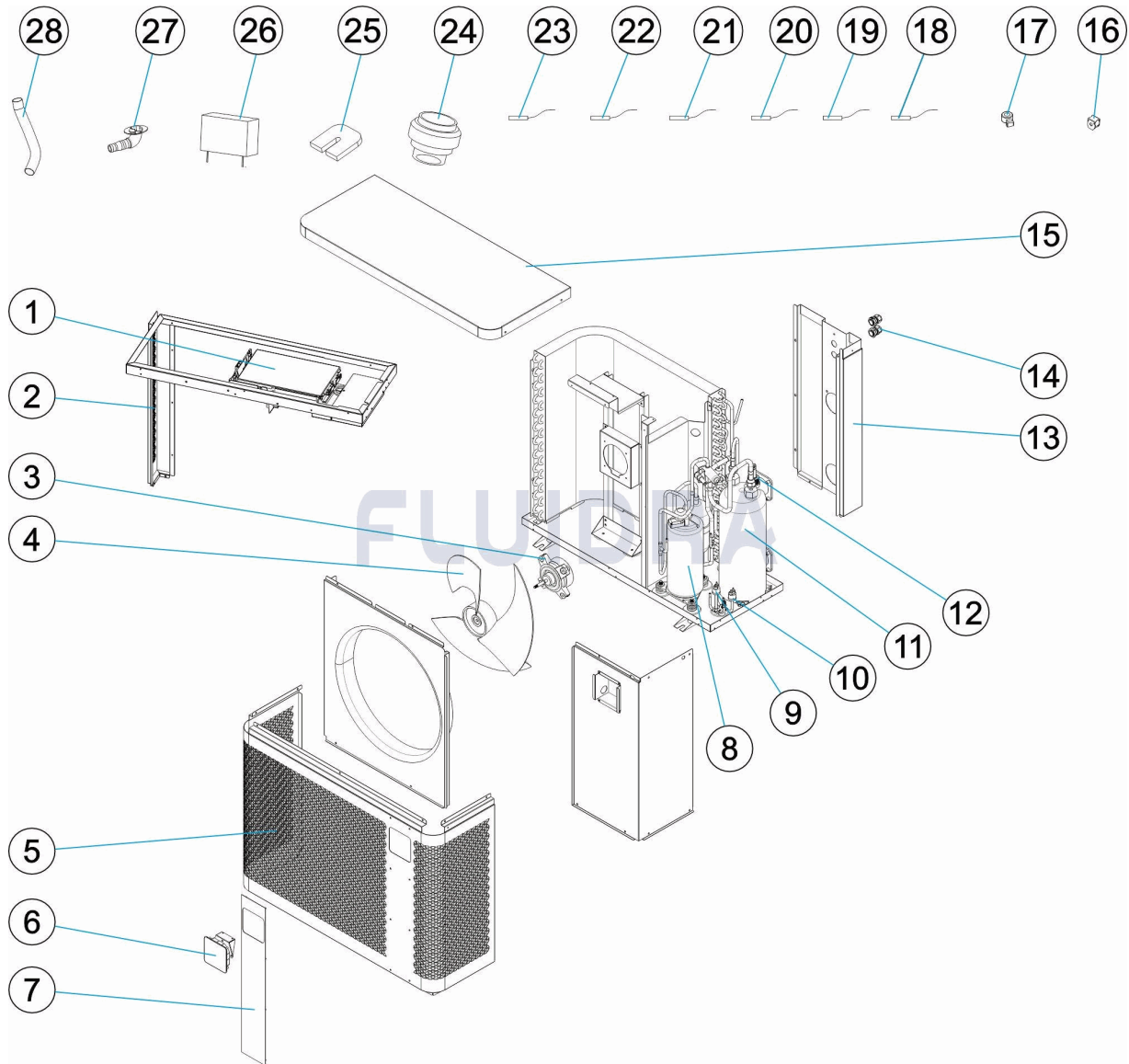
CODE **WH000577, WH000578, WH000579, WH000587, WH000588, WH000589**DESCRIPTION: **HEAT PUMP MD 3 - 4 - 5**

OBSERVATIONS

POS	CODE	OBSERVATIONS
1	* 75336R0021A	FOR: WH000577, WH000587
1	* 75336R0021B	FOR: WH000578, WH000588
1	* 75338R0021	FOR: WH000579, WH000589
2	* 75311R0041	FOR: WH000577, WH000578, WH000579
2	* 75336R0217	FOR: WH000587, WH000588, WH000589
5	* 75311R0040	FOR: WH000577, WH000578, WH000579
5	* 75336R0213	FOR: WH000587, WH000588, WH000589
6	* 75311R0042A	FOR: WH000587, WH000588, WH000589
6	* 75311R0042B	FOR: WH000577, WH000578, WH000579
8	* 75336R0009	FOR: WH000577, WH000587
8	* 75337R0009	FOR: WH000578, WH000579, WH000588, WH000589
11	* 75311R0006	FOR: WH000577, WH000587
11	* 75312R0006	FOR: WH000578, WH000588
11	* 75313R0006	FOR: WH000579, WH000589
13	* 75311R0039	FOR: WH000577, WH000578
13	* 75311R0043	FOR: WH000579
13	* 75336R0204	FOR: WH000587, WH000588
13	* 75338R0204	FOR: WH000589
14	* 75311R0002	FOR: WH000587, WH000588, WH000589
14	* 75311R0137	FOR: WH000577, WH000578, WH000579
15	* 75311R0038	FOR: WH000577, WH000578, WH000579
15	* 75336R0201	FOR: WH000587, WH000588, WH000589

CODICE **WH000577, WH000578, WH000579, WH000587, WH000588, WH000589**

DESCRIZIONE: **POMPA DI CALORE MD 3 - 4 - 5**



ITALIANO

POS	CODICE	DESCRIZIONE	QUANTITA'	POS	CODICE	DESCRIZIONE	QUANTITA'
1	* 75336R0021A	SCHEDA BASE PCB		10	75336R0008	RILEVATORE DI ALTA PRESSIONE	
1	* 75336R0021B	SCHEDA BASE PCB		11	* 75311R0006	INTERCAMBIATORE IN TITANIO	
1	* 75338R0021	SCHEDA BASE PCB		11	* 75312R0006	INTERCAMBIATORE IN TITANIO	
2	* 75311R0041	COLONNA DI SOSTEGNO DELLO SCHIENA		11	* 75313R0006	INTERCAMBIATORE IN TITANIO	
2	* 75336R0217	PILASTRO		12	75336R0005	FLUSSOSTATO	
3	75336R0015	MOTORE VENTOLA		13	* 75311R0039	PANNELLO INDIETRO	
4	75311R0014	PALE VENTILATORE		13	* 75311R0043	PANNELLO INDIETRO	
5	* 75311R0040	PANNELLO FRONTALE		13	* 75336R0204	PANNELLO INDIETRO	
5	* 75336R0213	PANNELLO FRONTALE		13	* 75338R0204	PANNELLO INDIETRO	
6	* 75311R0042A	CONTROLADOR		14	* 75311R0002	PRESSACAVI	
6	* 75311R0042B	CONTROLADOR		14	* 75311R0137	PREMISTOPPA	
7	75336R0238	PANNELLO DI DECORAZIONE		15	* 75311R0038	PANNELLO SUPERIORE	
8	* 75336R0009	COMPRESSORE		15	* 75336R0201	COPERCHIO SUPERIORE	

*** SI FACCIA RIFERIMENTO AL FOGLIO DELLE OSSERVAZIONI**

CODICE **WH000577, WH000578, WH000579, WH000587, WH000588, WH000589**DESCRIZIONE: **POMPA DI CALORE MD 3 - 4 - 5**

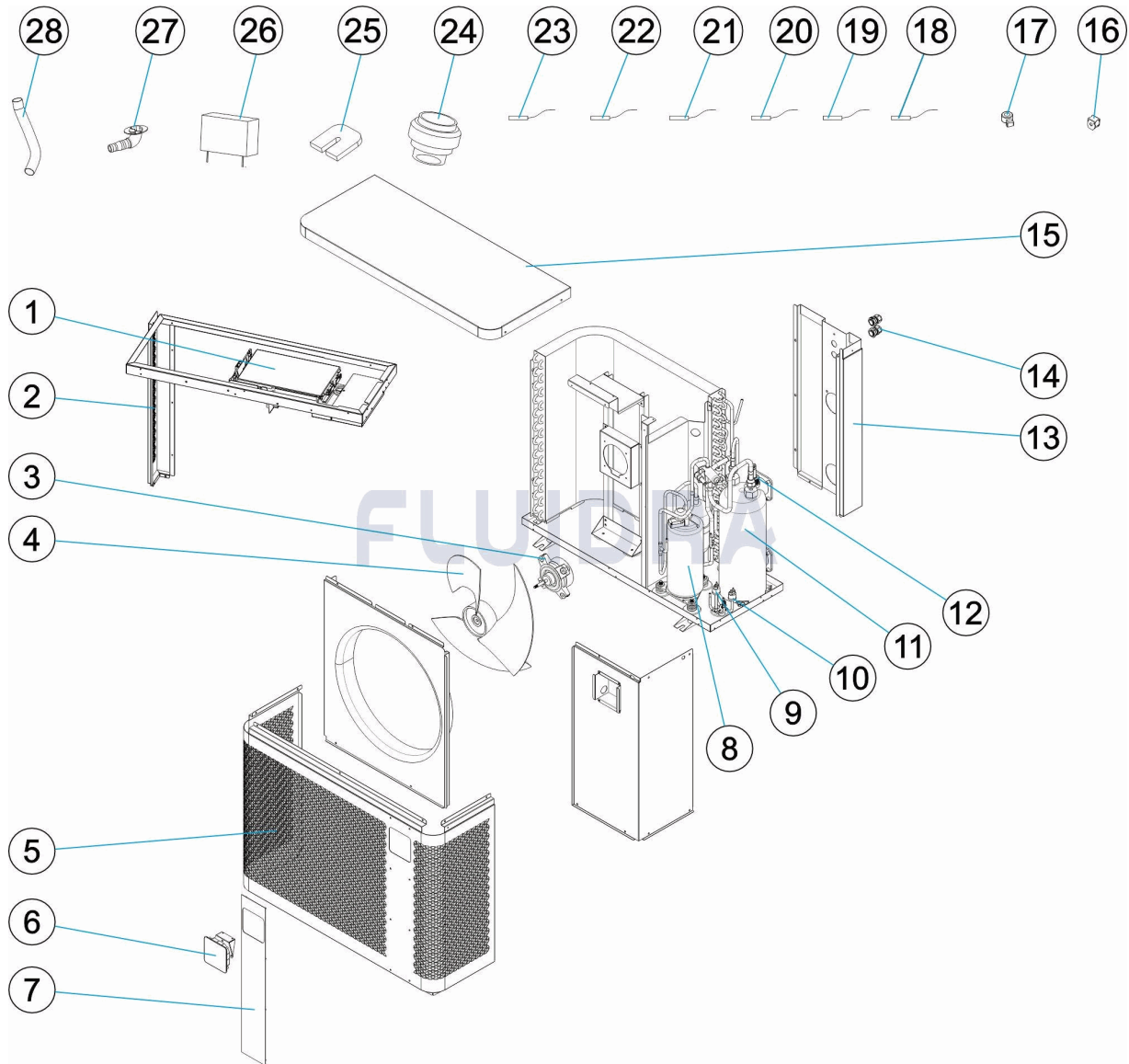
8	* 75337R0009	COMPRESSORE	16	75336R0023	BOBINA VALVOLA A 4 VIE
9	75336R0007	RIVELATORE BASSO PRESSIONE	17	75336R0025	BOBINA EEV
18	75336R0037	SENSORE TEMPERATURA ASPIRAZIONE C	24	75311R0032	SET CONNESSIONE DELL'ACQUA
19	75336R0026	SENSORE TEMPERATURA USCITA ACQUA	25	75311R0035	PIEDINI ANTIVIBRAZIONE
20	75336R0028	SENSORE TEMPERATURA INGRESSO ACC	26	75311R0036	COPERTA DI INVERNO
21	75336R0029	SENSORE TEMPERATURA AMBIENTE	27	75311R0034	UGELLO DELL'ACQUA
22	75336R0030	SENSORE TEMPERATURA EVAPORATORE	28	75311R0033	TUBO DI SCARICO
23	75336R0031	SENSORE TEMPERATURA SCARICO GAS			

CODICE **WH000577, WH000578, WH000579, WH000587, WH000588, WH000589**DESCRIZIONE: **POMPA DI CALORE MD 3 - 4 - 5****OSSERVAZIONI**

POS	CODICE	OSSERVAZIONI
1	* 75336R0021A	PER: WH000577, WH000587
1	* 75336R0021B	PER: WH000578, WH000588
1	* 75338R0021	PER: WH000579, WH000589
2	* 75311R0041	PER: WH000577, WH000578, WH000579
2	* 75336R0217	PER: WH000587, WH000588, WH000589
5	* 75311R0040	PER: WH000577, WH000578, WH000579
5	* 75336R0213	PER: WH000587, WH000588, WH000589
6	* 75311R0042A	PER: WH000587, WH000588, WH000589
6	* 75311R0042B	PER: WH000577, WH000578, WH000579
8	* 75336R0009	PER: WH000577, WH000587
8	* 75337R0009	PER: WH000578, WH000579, WH000588, WH000589
11	* 75311R0006	PER: WH000577, WH000587
11	* 75312R0006	PER: WH000578, WH000588
11	* 75313R0006	PER: WH000579, WH000589
13	* 75311R0039	PER: WH000577, WH000578
13	* 75311R0043	PER: WH000579
13	* 75336R0204	PER: WH000587, WH000588
13	* 75338R0204	PER: WH000589
14	* 75311R0002	PER: WH000587, WH000588, WH000589
14	* 75311R0137	PER: WH000577, WH000578, WH000579
15	* 75311R0038	PER: WH000577, WH000578, WH000579
15	* 75336R0201	PER: WH000587, WH000588, WH000589

CODE

WH000577, WH000578, WH000579, WH000587, WH000588, WH000589

 BESCHREIBUNG: **WÄRMEPUMPE MD 3 - 4 - 5**

DEUTSCH

POS	CODE	BESCHREIBUNG	MENGE	POS	CODE	BESCHREIBUNG	MENGE
1	* 75336R0021A	BASISPLATTE PCB		10	75336R0008	DETEKTOR HOCHDRUCK	
1	* 75336R0021B	BASISPLATTE PCB		11	* 75311R0006	WÄRMEÜBERTRAGER TITANIUM	
1	* 75338R0021	BASISPLATTE PCB		11	* 75312R0006	WÄRMEÜBERTRAGER TITANIUM	
2	* 75311R0041	HINTERE SÄULENSTÜTZE		11	* 75313R0006	WÄRMEÜBERTRAGER TITANIUM	
2	* 75336R0217	SÄULE		12	75336R0005	DURCHFLUSSMESSER	
3	75336R0015	LÜFTERMOTOR		13	* 75311R0039	FÜHRERHAUSRÜCKWAND	
4	75311R0014	ROTORBLÄTTER VENTILATOR		13	* 75311R0043	FÜHRERHAUSRÜCKWAND	
5	* 75311R0040	FRONTPLATTE		13	* 75336R0204	FÜHRERHAUSRÜCKWAND	
5	* 75336R0213	FRONTPLATTE		13	* 75338R0204	FÜHRERHAUSRÜCKWAND	
6	* 75311R0042A	STEUERUNG		14	* 75311R0002	KABELVERSCHRAUBUNGEN	
6	* 75311R0042B	STEUERUNG		14	* 75311R0137	KABELEIFÜHRUNG	
7	75336R0238	DEKORATIONSPLATTE		15	* 75311R0038	ABDECKUNG	
8	* 75336R0009	KOMPRESSOR		15	* 75336R0201	ABDECKUNG OBEN	

* SIEHE ANMERKUGSBLATT

CODE **WH000577, WH000578, WH000579, WH000587, WH000588, WH000589**BESCHREIBUNG: **WÄRMEPUMPE MD 3 - 4 - 5**

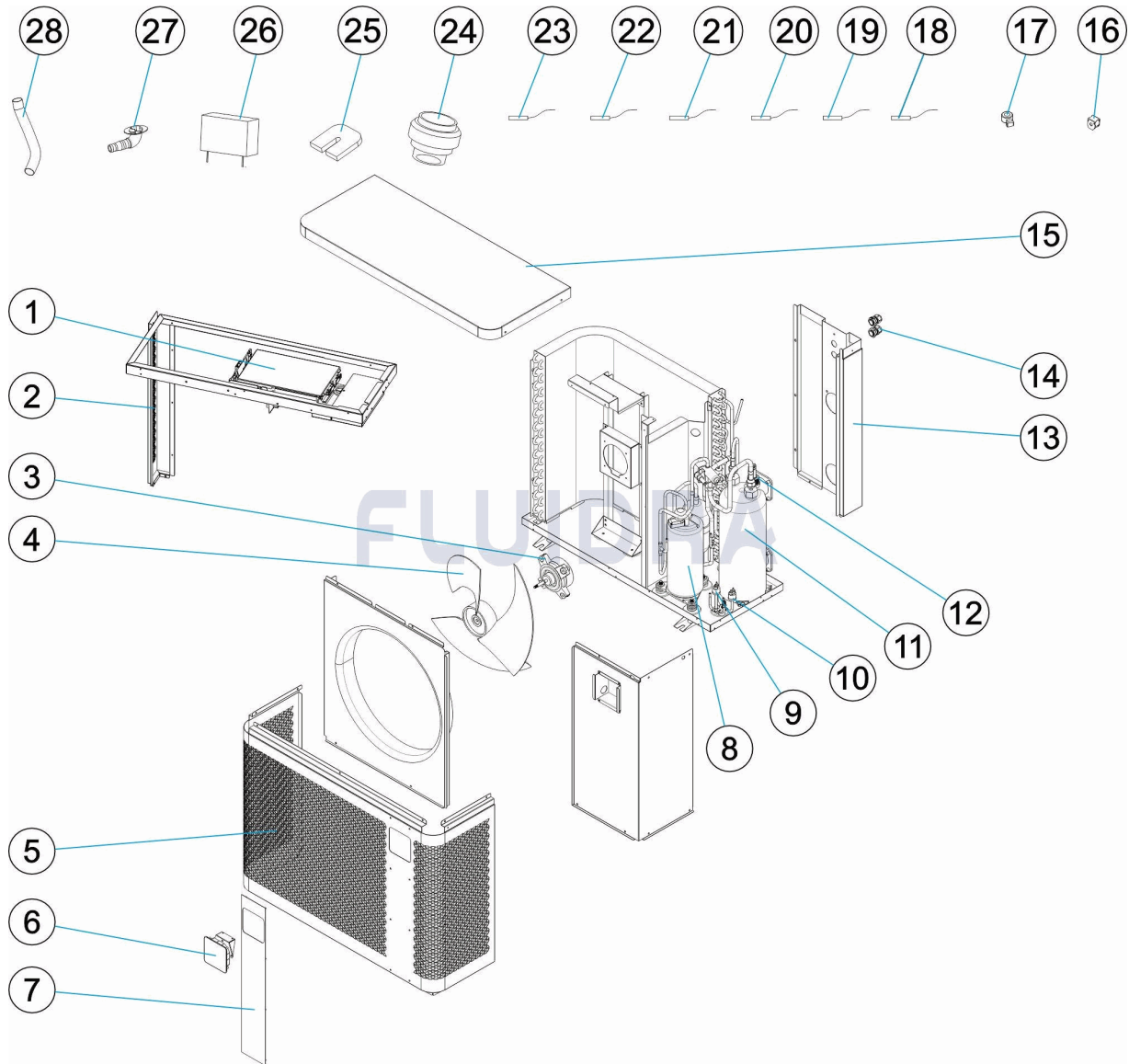
8	* 75337R0009	KOMPRESSOR	16	75336R0023	SPULE 4-WEGE-VENTIL
9	75336R0007	DETEKTOR NIEDERDRUCK	17	75336R0025	SPULE EEV
18	75336R0037	GASANSAUG TEMPERATURFÜHLER	24	75311R0032	WASSERANSCHLUSS SET
19	75336R0026	WASSERABFLUSS TEMPERATURFÜHLER	25	75311R0035	ANTI-VIBRATIONSFÜSSE
20	75336R0028	WASSERZUFLUSS TEMPERATURFÜHLER	26	75311R0036	WINTERDECKEL
21	75336R0029	UMGEBUNGS TEMPERATURFÜHLER	27	75311R0034	WASSERDÜSE
22	75336R0030	VERDAMPFER TEMPERATURFÜHLER	28	75311R0033	ABFLUSSSCHLAUCH
23	75336R0031	GASDAUER TEMPERATURFÜHLER			

CODE **WH000577, WH000578, WH000579, WH000587, WH000588, WH000589**BESCHREIBUNG: **WÄRMEPUMPE MD 3 - 4 - 5****HINWEISE**

POS	CODE	HINWEISE
1	* 75336R0021A	FÜR: WH000577, WH000587
1	* 75336R0021B	FÜR: WH000578, WH000588
1	* 75338R0021	FÜR: WH000579, WH000589
2	* 75311R0041	FÜR: WH000577, WH000578, WH000579
2	* 75336R0217	FÜR: WH000587, WH000588, WH000589
5	* 75311R0040	FÜR: WH000577, WH000578, WH000579
5	* 75336R0213	FÜR: WH000587, WH000588, WH000589
6	* 75311R0042A	FÜR: WH000587, WH000588, WH000589
6	* 75311R0042B	FÜR: WH000577, WH000578, WH000579
8	* 75336R0009	FÜR: WH000577, WH000587
8	* 75337R0009	FÜR: WH000578, WH000579, WH000588, WH000589
11	* 75311R0006	FÜR: WH000577, WH000587
11	* 75312R0006	FÜR: WH000578, WH000588
11	* 75313R0006	FÜR: WH000579, WH000589
13	* 75311R0039	FÜR: WH000577, WH000578
13	* 75311R0043	FÜR: WH000579
13	* 75336R0204	FÜR: WH000587, WH000588
13	* 75338R0204	FÜR: WH000589
14	* 75311R0002	FÜR: WH000587, WH000588, WH000589
14	* 75311R0137	FÜR: WH000577, WH000578, WH000579
15	* 75311R0038	FÜR: WH000577, WH000578, WH000579
15	* 75336R0201	FÜR: WH000587, WH000588, WH000589

CODIGO **WH000577, WH000578, WH000579, WH000587, WH000588, WH000589**

DESCRIÇÃO: **BOMBA DE CALOR MD 3 - 4 - 5**



PORTUGUES

POS	CODIGO	DESCRIÇÃO	JANTIDADE	POS	CODIGO	DESCRIÇÃO	JANTIDADE
1	* 75336R0021A	PLACA BASE PCB		10	75336R0008	DETECTOR DE ALTA PRESSÃO	
1	* 75336R0021B	PLACA BASE PCB		11	* 75311R0006	PERMUTADOR DE TITÂNIO	
1	* 75338R0021	PLACA BASE PCB		11	* 75312R0006	PERMUTADOR DE TITÂNIO	
2	* 75311R0041	COLUNA DE APOIO TRASEIRO		11	* 75313R0006	PERMUTADOR DE TITÂNIO	
2	* 75336R0217	PILAR		12	75336R0005	FLUXO-ESTATO	
3	75336R0015	MOTOR VENTILADOR		13	* 75311R0039	PAINEL TRASEIRO	
4	75311R0014	PÁS VENTILADOR		13	* 75311R0043	PAINEL TRASEIRO	
5	* 75311R0040	PAINEL FRONTAL		13	* 75336R0204	PAINEL TRASEIRO	
5	* 75336R0213	PAINEL FRONTAL		13	* 75338R0204	PAINEL TRASEIRO	
6	* 75311R0042A	CONTROLLATORE		14	* 75311R0002	PRENSA-CABOS	
6	* 75311R0042B	CONTROLLATORE		14	* 75311R0137	PRENSA-ESTOPAS PARA CABO	
7	75336R0238	PAINEL DE DECORAÇÃO		15	* 75311R0038	PANNEAU SUPERIEUR	
8	* 75336R0009	COMPRESSOR		15	* 75336R0201	TAMPA SUPERIOR	

*** VEJA A FICHA DE OBSERVAÇÕES**

CODIGO **WH000577, WH000578, WH000579, WH000587, WH000588, WH000589**DESCRICAÇÃO: **BOMBA DE CALOR MD 3 - 4 - 5**

8	* 75337R0009	COMPRESSOR	16	75336R0023	BOBINA VÁLVULA DE 4 VIAS
9	75336R0007	DETECTOR DE BAIXA PRESSÃO	17	75336R0025	BOBINA EEV
18	75336R0037	SENSOR TEMPERATURA SUÇÃO GÁS	24	75311R0032	CONJECTIVOS CONEXÃO DE ÁGUA
19	75336R0026	SENSOR TEMPERATURA SAÍDA ÁGUA	25	75311R0035	PÉS ANTIVIBRAÇÃO
20	75336R0028	SENSOR TEMPERATURA ENTRADA ÁGUA	26	75311R0036	COBERTURA DE INVERNO
21	75336R0029	SENSOR TEMPERATURA AMBIENTE	27	75311R0034	BOCAL DE ÁGUA
22	75336R0030	SENSOR TEMPERATURA EVAPORADOR	28	75311R0033	MANGUEIRA DE DRENAGEM
23	75336R0031	SENSOR TEMPERATURA DESCARGA GÁS			

CODIGO **WH000577, WH000578, WH000579, WH000587, WH000588, WH000589**DESCRIÇÃO: **BOMBA DE CALOR MD 3 - 4 - 5****OBSERVAÇÕES**

POS	CODIGO	OBSERVAÇÕES
1	* 75336R0021A	PARA: WH000577, WH000587
1	* 75336R0021B	PARA: WH000578, WH000588
1	* 75338R0021	PARA: WH000579, WH000589
2	* 75311R0041	PARA: WH000577, WH000578, WH000579
2	* 75336R0217	PARA: WH000587, WH000588, WH000589
5	* 75311R0040	PARA: WH000577, WH000578, WH000579
5	* 75336R0213	PARA: WH000587, WH000588, WH000589
6	* 75311R0042A	PARA: WH000587, WH000588, WH000589
6	* 75311R0042B	PARA: WH000577, WH000578, WH000579
8	* 75336R0009	PARA: WH000577, WH000587
8	* 75337R0009	PARA: WH000578, WH000579, WH000588, WH000589
11	* 75311R0006	PARA: WH000577, WH000587
11	* 75312R0006	PARA: WH000578, WH000588
11	* 75313R0006	PARA: WH000579, WH000589
13	* 75311R0039	PARA: WH000577, WH000578
13	* 75311R0043	PARA: WH000579
13	* 75336R0204	PARA: WH000587, WH000588
13	* 75338R0204	PARA: WH000589
14	* 75311R0002	PARA: WH000587, WH000588, WH000589
14	* 75311R0137	PARA: WH000577, WH000578, WH000579
15	* 75311R0038	PARA: WH000577, WH000578, WH000579
15	* 75336R0201	PARA: WH000587, WH000588, WH000589