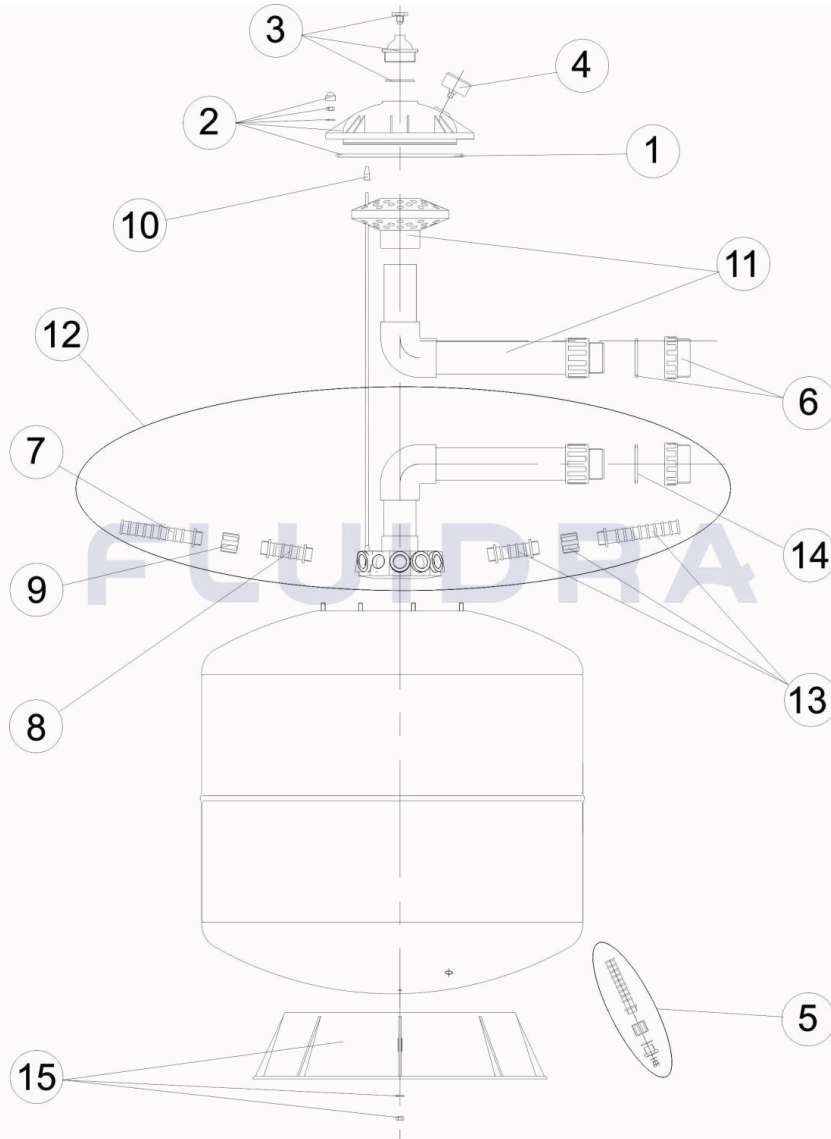


CODIGO **00523**

DESCRIPCION: **FILTRO ACERO INOXIDABLE D. 750**



ESPAÑOL

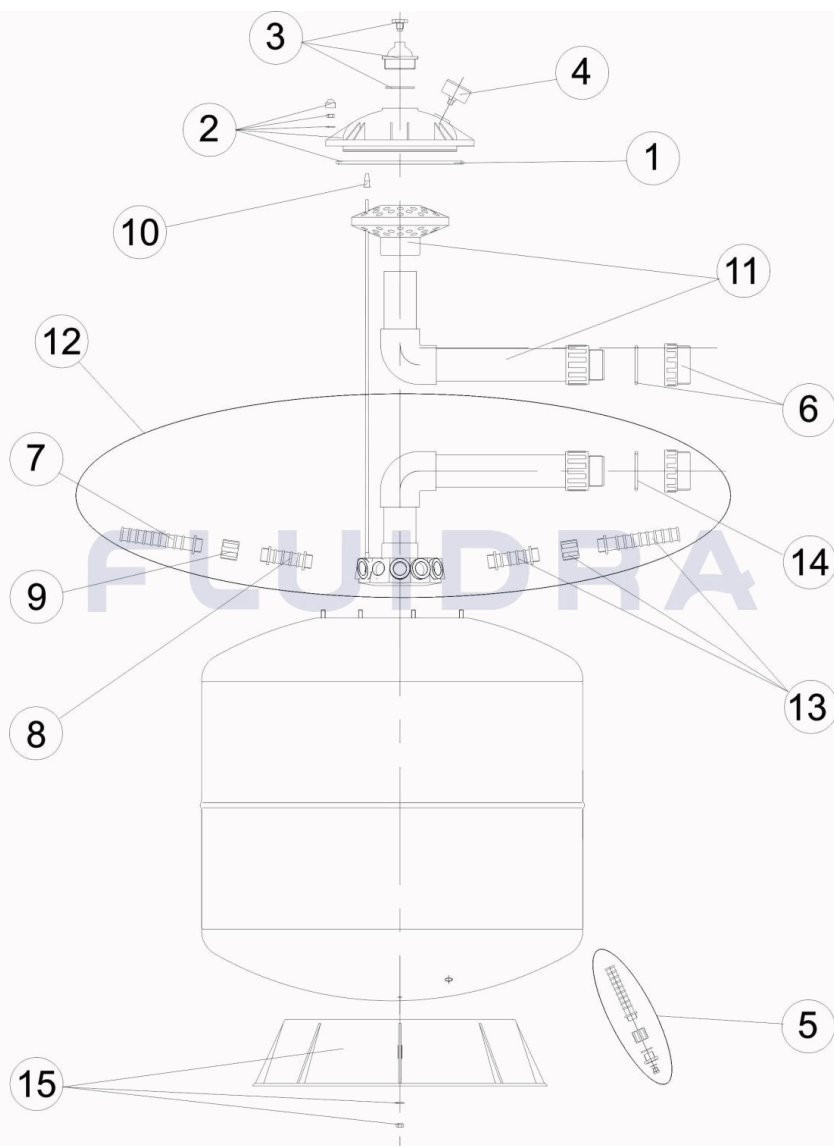
POS	CODIGO	DESCRIPCION	CANTIDAD	POS	CODIGO	DESCRIPCION	CANTIDAD
1	4404060301	JUNTA TAPA		9	* 4404180118	MANGUITO ENLACE 3/4"	
2	4404060302	TAPA FILTRO		10	4404040108	PURGA AIRE	
3	4404060303	PURGA VISOR		11	4404010083	CJTO. DIFUSOR D. 750	
4	4404010103	MANOMETRO 1/8" 3 KG./C "		12	4404010084	CJTO. COLECTOR D. 750	
5	4404060110	PURGA AGUA 3/4"		13	4404010086	CJTO. BRAZOS COLECTOR 3/4" D. 750"	
6	4404040104	RACORD 2" + JUNTA TORICA		14	4404302303	JUNTA TORICA RACCORD 66,04X5,33	
7	* 4404300120	BRAZO COLECTOR 3/4" 160 M "		15	4404010085	PIE FILTRO D. 750	
8	* 4404180117	BRAZO COLECTOR 3/4" 100 M "					

CODIGO **00523**DESCRIPCION: **FILTRO ACERO INOXIDABLE D. 750****OBSERVACIONES**

POS	CODIGO	OBSERVACIONES
7	4404300120	PARA: 00523 [6UT]
8	4404180117	PARA: 00523 [3UT]
9	4404180118	PARA: 00523 [3UT]

CODE **00523**

DESCRIPTION: **FILTRE ACIER INOXYDABLE D. 750**



FRANCAIS

POS	CODE	DESCRIPTION	QUANTITE	POS	CODE	DESCRIPTION	QUANTITE
1	4404060301	JOINT DE COUVERCLE		9	* 4404180118	MANCHON 3/4"	
2	4404060302	COUVERCLE DE FILTRE		10	4404040108	PURGE D'AIR	
3	4404060303	PURGE		11	4404010083	ENSEMBLE DIFFUSEUR D. 750	
4	4404010103	MANOMETRE 1/8" 3 KG./C "		12	4404010084	ENSEMBLE COLLECTEUR D. 750	
5	4404060110	PURGE D'EAU 3/4"		13	4404010086	ENSEMBLE BRAS DE REPARTITEUR 3/4" L	
6	4404040104	RACCORD 2' + JOINT TORIQUE		14	4404302303	JOINT TORIQUE RACCORD SORTIE D.66.0	
7	* 4404300120	BRAS DE REPARTITEUR 3/4" 160M "		15	4404010085	SOCLE FILTRE D 750	
8	* 4404180117	BRAS DE REPARTITEUR 3/4" 100M "					

CODE **00523**

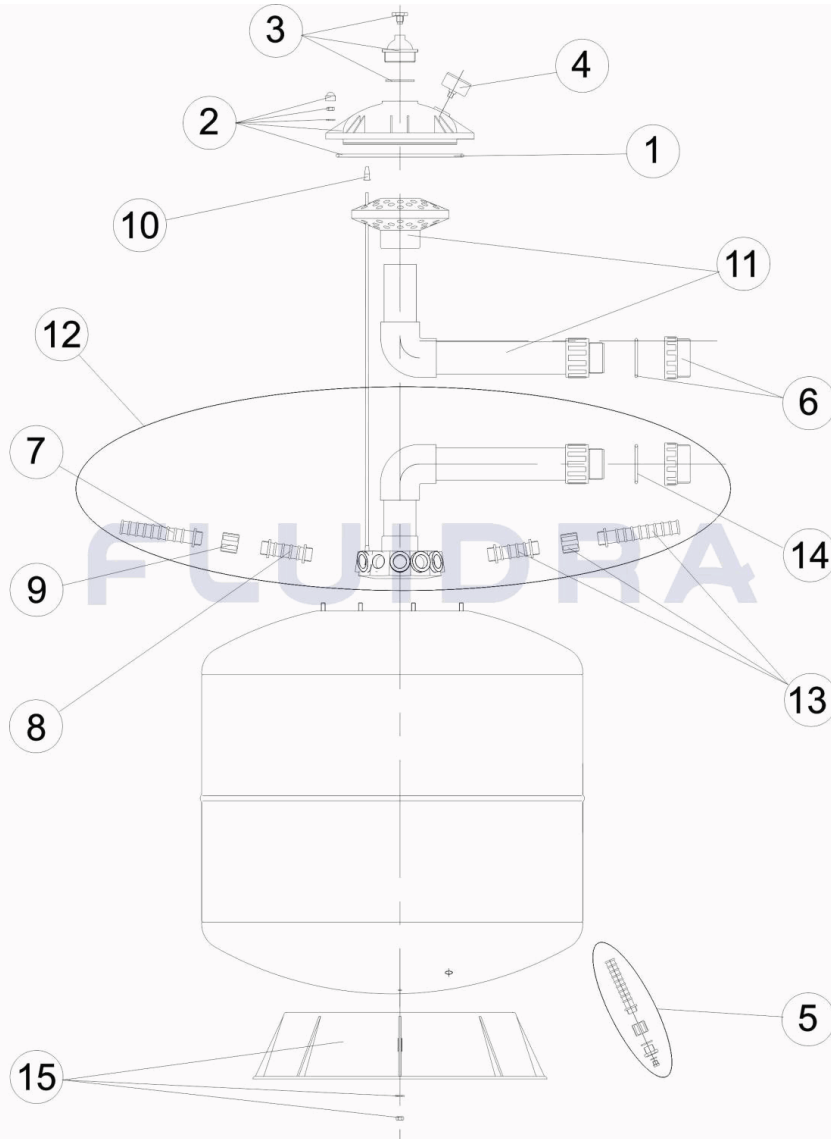
DESCRIPTION: **FILTRE ACIER INOXYDABLE D. 750**

OBSERVATIONS

POS	CODE	OBSERVATIONS
7	4404300120	POUR: 00523 [6UT]
8	4404180117	POUR: 00523 [3UT]
9	4404180118	POUR: 00523 [3UT]

CODE **00523**

DESCRIPTION: **STAINLESS STEEL FILTER D. 750**



ENGLISH

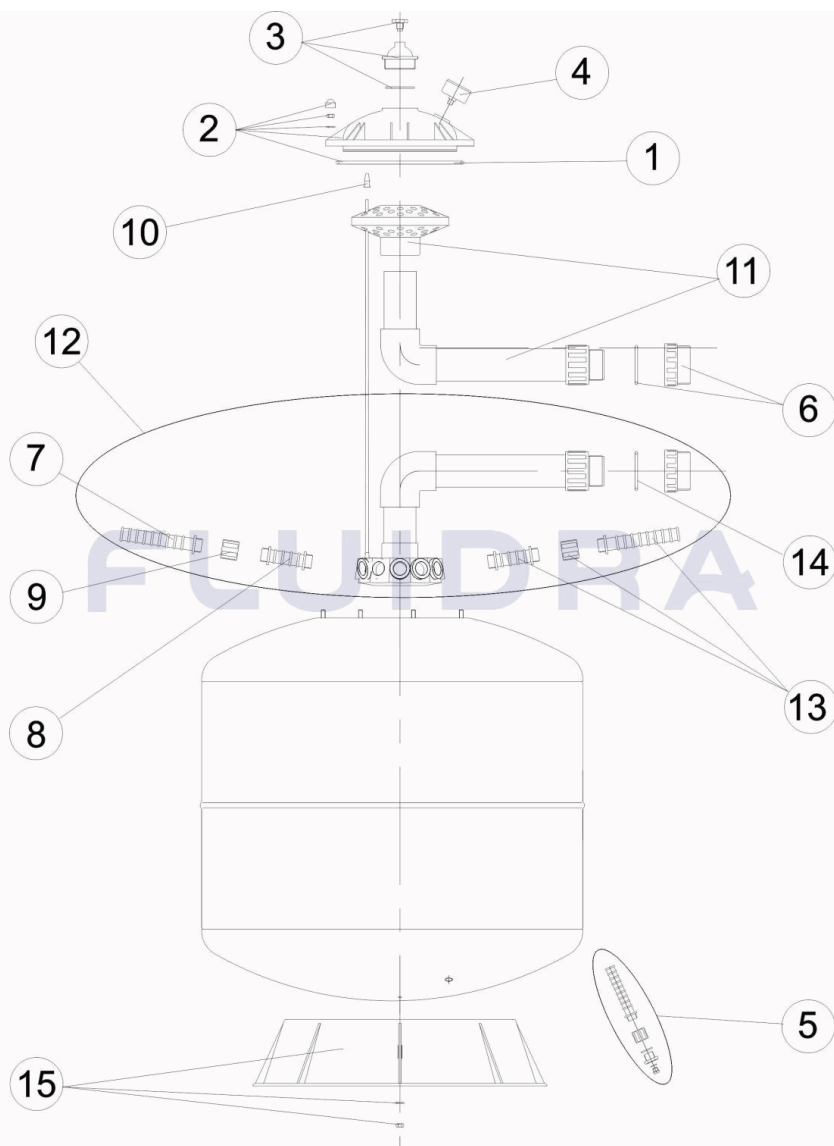
POS	CODE	DESCRIPTION	QUANTITY	POS	CODE	DESCRIPTION	QUANTITY
1	4404060301	LID GASKET		9	* 4404180118	UNION BUSH 3/4"	
2	4404060302	FILTER LID		10	4404040108	AIR PURGE	
3	4404060303	AIR RELIEF SIGHT GLASS		11	4404010083	DIFFUSER ASSEMBLY D. 750	
4	4404010103	PRESSURE GAUGE 1/8" 3 KG./C "		12	4404010084	MANIFOLD ASSEMBLY D. 750	
5	4404060110	WATER PURGE 3/4"		13	4404010086	MANIFOLD ARM ASSEMBLY 3/4" D. 750"	
6	4404040104	FITTING 2' + 'O' RING		14	4404302303	O RING D.66.04X5.33	
7	* 4404300120	MANIFOLD ARM 3/4" 160 M "		15	4404010085	FILTER BASE D. 750	
8	* 4404180117	MANIFOLD ARM 3/4" 100 M "					

CODE **00523**DESCRIPTION: **STAINLESS STEEL FILTER D. 750****OBSERVATIONS**

POS	CODE	OBSERVATIONS
7	4404300120	FOR: 00523 [6UT]
8	4404180117	FOR: 00523 [3UT]
9	4404180118	FOR: 00523 [3UT]

CODICE 00523

DESCRIZIONE: FILTRO ACCIAIO INOSSIDABILE D. 750



ITALIANO

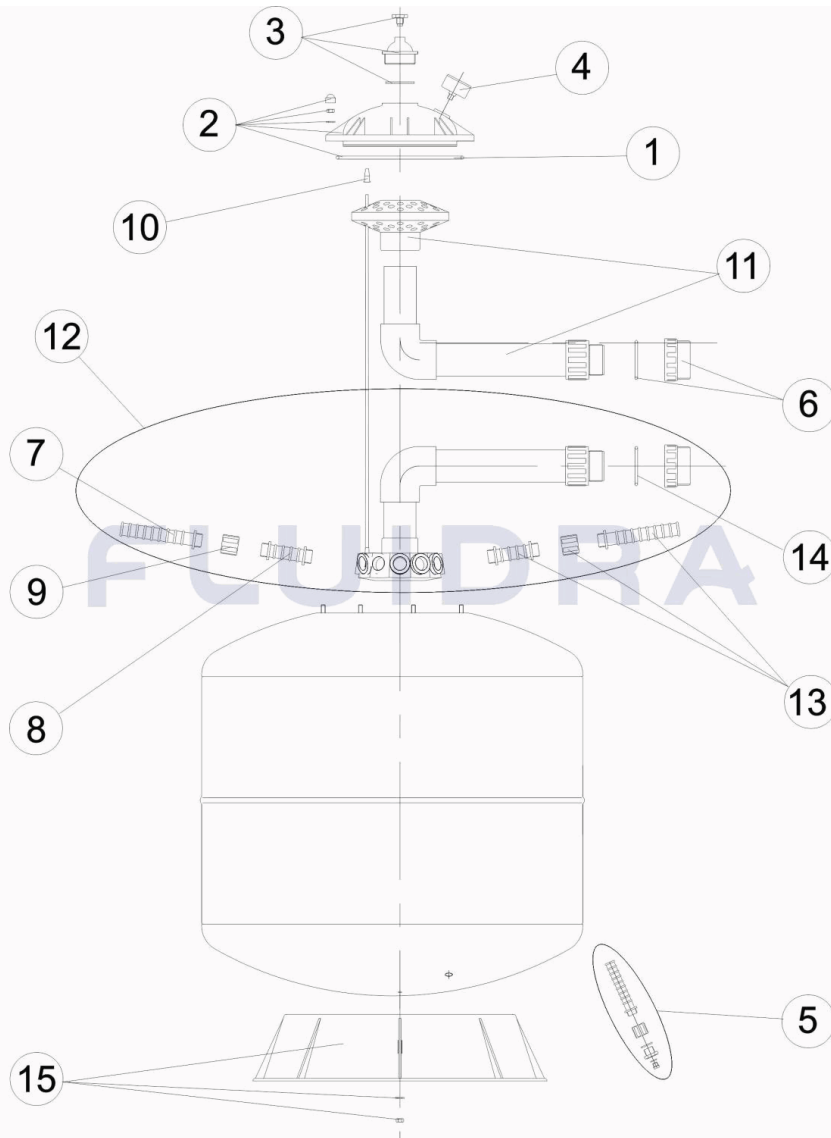
POS	CODICE	DESCRIZIONE	QUANTITA'	POS	CODICE	DESCRIZIONE	QUANTITA'
1	4404060301	GUARNIZIONE COPERCHIO		9	* 4404180118	MANICOTTO DA 1" 3/4"	
2	4404060302	COPERCHIO FILTRO		10	4404040108	SFIATO ARIA	
3	4404060303	SCARICO VISORE		11	4404010083	RACCORDO DIFFUSORE D. 750	
4	4404010103	MANOMETRO 1/8" 3 KG./C "		12	4404010084	KIT COLLETTORE D. 750	
5	4404060110	SCARICO ACQUA 3/4"		13	4404010086	GRUPPO CANDELOTTO COLLETTORE 3/4	
6	4404040104	RACCORDO 2' + O-RING		14	4404302303	O-RING RACCORDO USCITA D.66.04X5.33	
7	* 4404300120	CANDELOTTO COLLETTORE 3/4" 160M "		15	4404010085	BASE FILTRO D 750	
8	* 4404180117	CANDELOTTO COLLETTORE 3/4" 100M "					

CODICE **00523**DESCRIZIONE: **FILTRO ACCIAIO INOSSIDABILE D. 750****OSSERVAZIONI**

POS	CODICE	OSSERVAZIONI
7	4404300120	PER: 00523 [6UT]
8	4404180117	PER: 00523 [3UT]
9	4404180118	PER: 00523 [3UT]

CODE **00523**

BESCHREIBUNG: **FILTER EDELSTAHL D. 750**



DEUTSCH

POS	CODE	BESCHREIBUNG	MENGE	POS	CODE	BESCHREIBUNG	MENGE
1	4404060301	DICHTUNG ABDECKUNG		9	* 4404180118	NIPPEL ANSCHLUSS 3/4"	
2	4404060302	FILTERDECKEL		10	4404040108	ENTLÜFTUNG	
3	4404060303	ABLASS SCHAUGLAS		11	4404010083	SET WASSERVERTEILER D. 750	
4	4404010103	MANOMETER 1/8" 3 KG/C "		12	4404010084	SAMMELROHRSET D. 750	
5	4404060110	WASSERABLASS 3/4"		13	4404010086	SET FILTERSTERN-SCHLITZROHR 3/4" D. .	
6	4404040104	GEWINDESTÜCK 2" UND O-RING		14	4404302303	O-RING GEWINDESTÜCK D. 66,04 X 5,33	
7	* 4404300120	FILTERSTERN-SCHLITZROHR 3/4" 160 M "		15	4404010085	FILTERFUSS D. 750	
8	* 4404180117	FILTERSTERN-SCHLITZROHR 3/4" 100 M "					

CODE **00523**

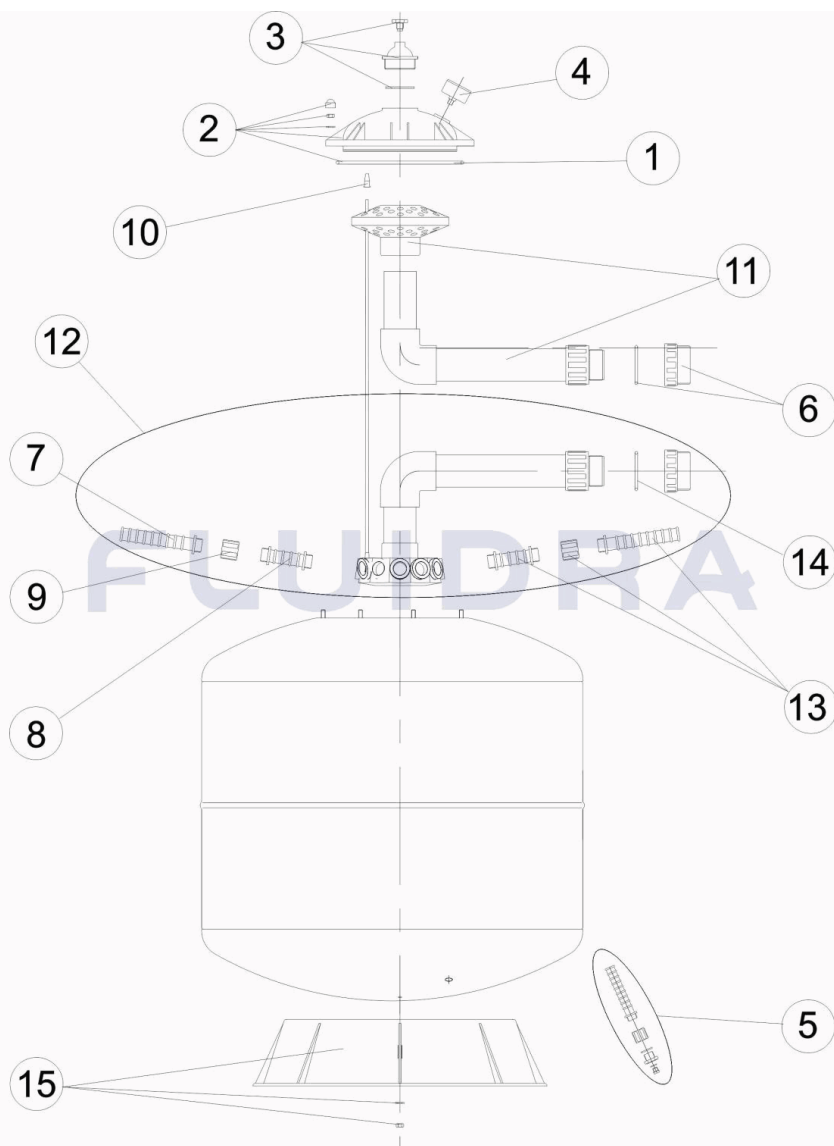
BESCHREIBUNG: **FILTER EDELSTAHL D. 750**

HINWEISE

POS	CODE	HINWEISE
7	4404300120	FÜR: 00523 [6UT]
8	4404180117	FÜR: 00523 [3UT]
9	4404180118	FÜR: 00523 [3UT]

CODIGO **00523**

DESCRIÇÃO: **FILTRO AÇO INOXIDÁVEL D. 750**



PORTUGUES

POS	CODIGO	DESCRIÇÃO	QUANTIDADE	POS	CODIGO	DESCRIÇÃO	QUANTIDADE
1	4404060301	JUNTA TAMPA		9	* 4404180118	MANGUITO UNIÃO 3/4"	
2	4404060302	TAMPA FILTRO		10	4404040108	PURGA AREIA	
3	4404060303	FECHO COMPLETO		11	4404010083	CJTO. DIFUSOR D. 750	
4	4404010103	MANOMETRO 1/8" 3 KG./C "		12	4404010084	CJTO. COLECTOR D. 750	
5	4404060110	PURGA ÁGUA 3/4"		13	4404010086	CJTO. BRAÇO COLECTOR 3/4" D. 750"	
6	4404040104	RACORD 2' + JUNTA TÓRICA		14	4404302303	JUNTA TÓRICA D.66.04X5.33	
7	* 4404300120	BRAÇO COLECTOR 3/4" 160M "		15	4404010085	PÉ FILTRO D 750	
8	* 4404180117	BRAÇO COLECTOR 3/4" 100M "					

CODIGO **00523**DESCRIÇÃO: **FILTRO AÇO INOXIDÁVEL D. 750****OBSERVAÇÕES**

POS	CODIGO	OBSERVAÇÕES
7	4404300120	PARA: 00523 [6UT]
8	4404180117	PARA: 00523 [3UT]
9	4404180118	PARA: 00523 [3UT]