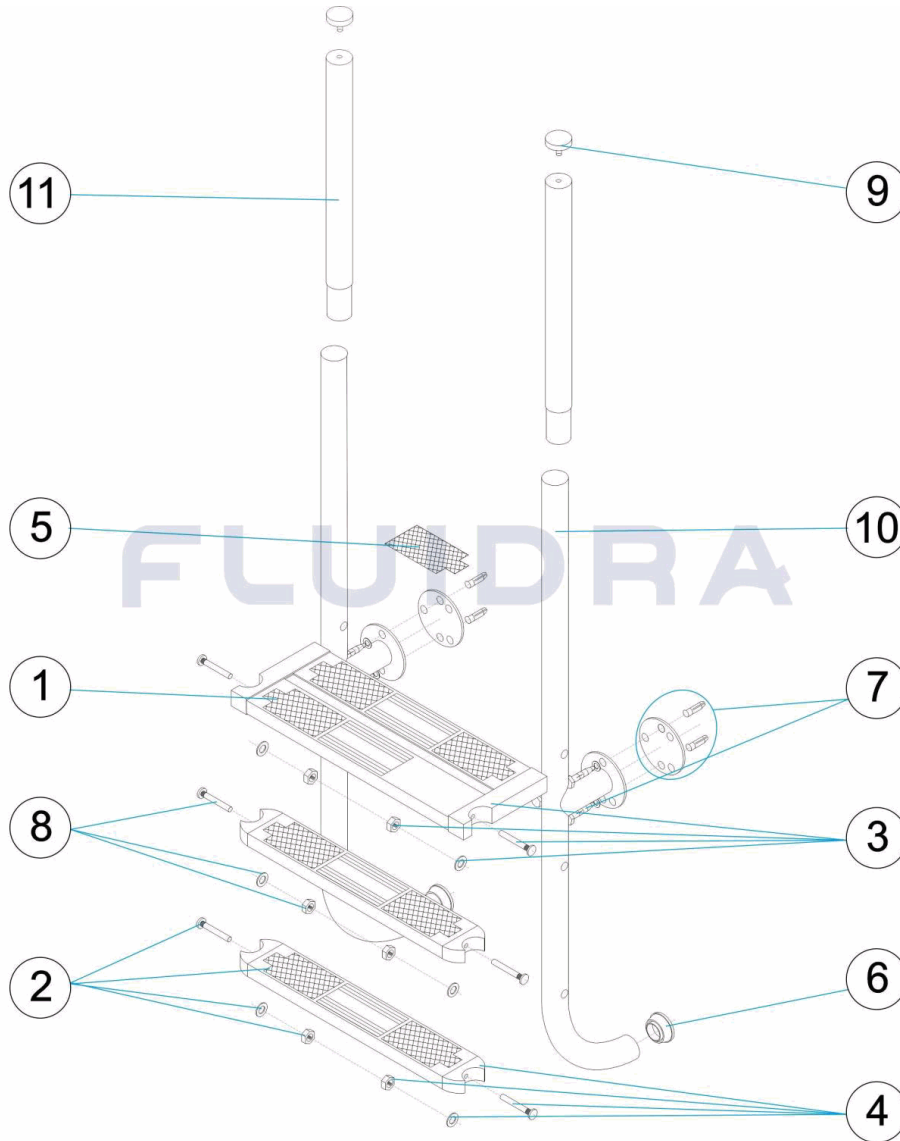


CODIGO **45899, 45900, 45901, 45902**

DESCRIPCION: **ESCALERA ELEGANCE AISI 316 PASAMANO MADERA**



**ESPAÑOL**

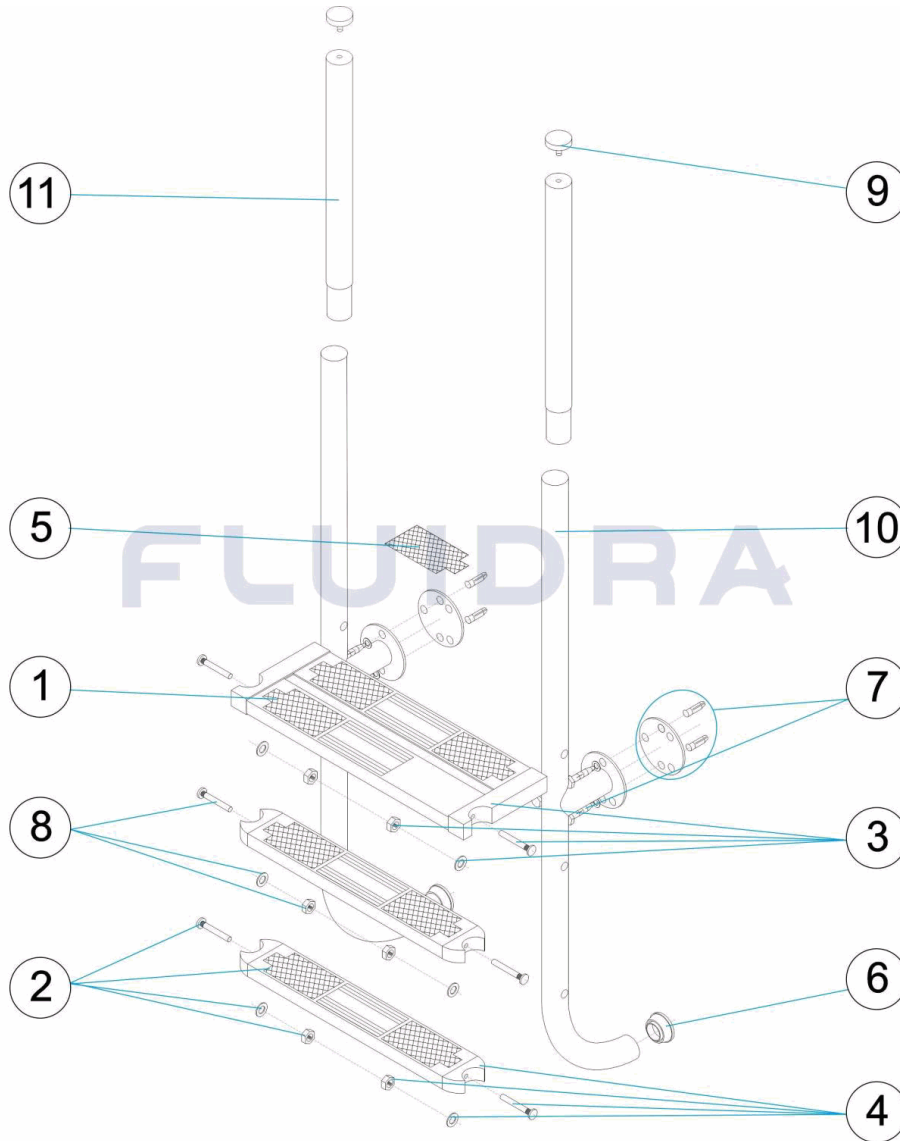
POS	CODIGO	DESCRIPCION	CANTIDAD	POS	CODIGO	DESCRIPCION	CANTIDAD
1	4401010805	PELDAÑO SEGURIDAD 316		8	4401010111	TORNILLERIA PELDAÑO 316	
2	4401010104	PELDAÑO LUXE 316		9	4401013204	TAPON PASAMANO	
3	4401010807	SOPORTE LATERAL SEGURIDAD		10	* 45899R0200	PASAMANO ESCALERA ELEGANCE 2 PELI	
4	4401013203	SOPORTE LATERAL PELDAÑO		10	* 45900R0200	PASAMANO ESCALERA PARTIDA 3 PELDA	
5	4401010108	TAPETA PELDAÑO LUXE		10	* 45901R0200	PASAMANO ESCALERA PARTIDA 4 PELDA	
6	4401010112	TOPE ESCALERA		10	* 45902R0200	PASAMANO ESCALERA ELEGANCE 5 PELI	
7	4401010802	TORNILLERIA FIJACION ESCALERA 316		11	43990R0001	PASAMANO SUPERIOR	

CODIGO **45899, 45900, 45901, 45902**DESCRIPCION: **ESCALERA ELEGANCE AISI 316 PASAMANO MADERA****OBSERVACIONES**

POS	CODIGO	OBSERVACIONES
10	45899R0200	PARA: 45899
10	45900R0200	PARA: 45900
10	45901R0200	PARA: 45901
10	45902R0200	PARA: 45902

CODE 45899, 45900, 45901, 45902

DESCRIPTION: ÉCHELLE ELEGANCE AISI 316 RAMPE BOIS



FRANCAIS

POS	CODE	DESCRIPTION	QUANTITE	POS	CODE	DESCRIPTION	QUANTITE
1	4401010805	MARCHE DE SECURITE AISI 316		8	4401010111	VISSERIE MARCHE AISI 316	
2	4401010104	MARCHE LUXE AISI 316		9	4401013204	BOUCHON	
3	4401010807	SUPPORT LATÉRAL DE SECURITE		10	* 45899R0200	MAIN COURANTE 2 MARCHES	
4	4401013203	SUPPORT LATÉRAL DE MARCHE		10	* 45900R0200	MAIN COURANTE ECHELLE 3 MARCHES	
5	4401010108	PLAQUE NOIRE POUR MARCHE LUXE		10	* 45901R0200	MAIN COURANTE ECHELLE 4 MARCHES	
6	4401010112	TAMPON D'ÉCHELLE		10	* 45902R0200	MAIN COURANTE 5 MARCHES	
7	4401010802	VISSERIE FIXATION ECHELLE 316		11	43990R0001	MAIN COURANTE	

CODE **45899, 45900, 45901, 45902**

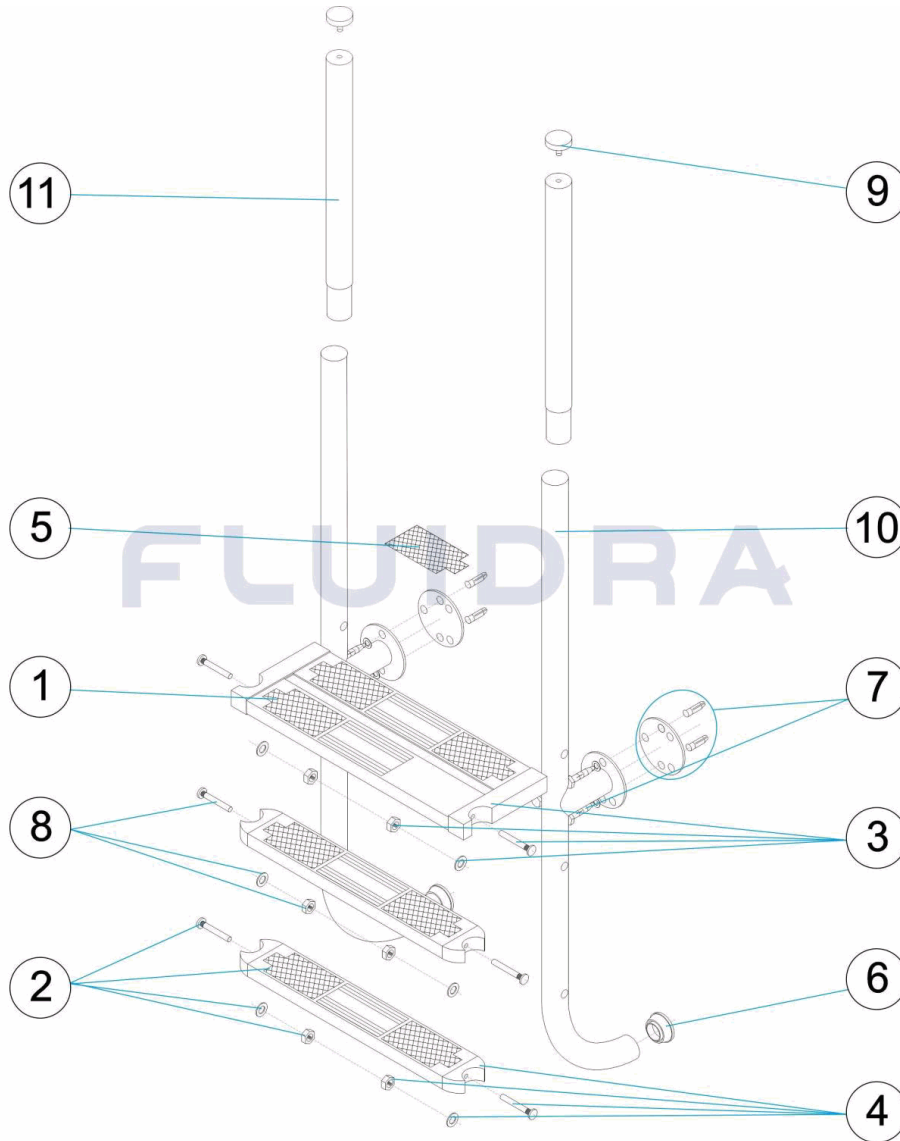
DESCRIPTION: **ÉCHELLE ELEGANCE AISI 316 RAMPE BOIS**

**OBSERVATIONS**

POS	CODE	OBSERVATIONS
10	45899R0200	POUR: 45899
10	45900R0200	POUR: 45900
10	45901R0200	POUR: 45901
10	45902R0200	POUR: 45902

CODE **45899, 45900, 45901, 45902**

DESCRIPTION: **ELEGANCE LADDER AISI 316 WOODEN HANDRAIL**



**ENGLISH**

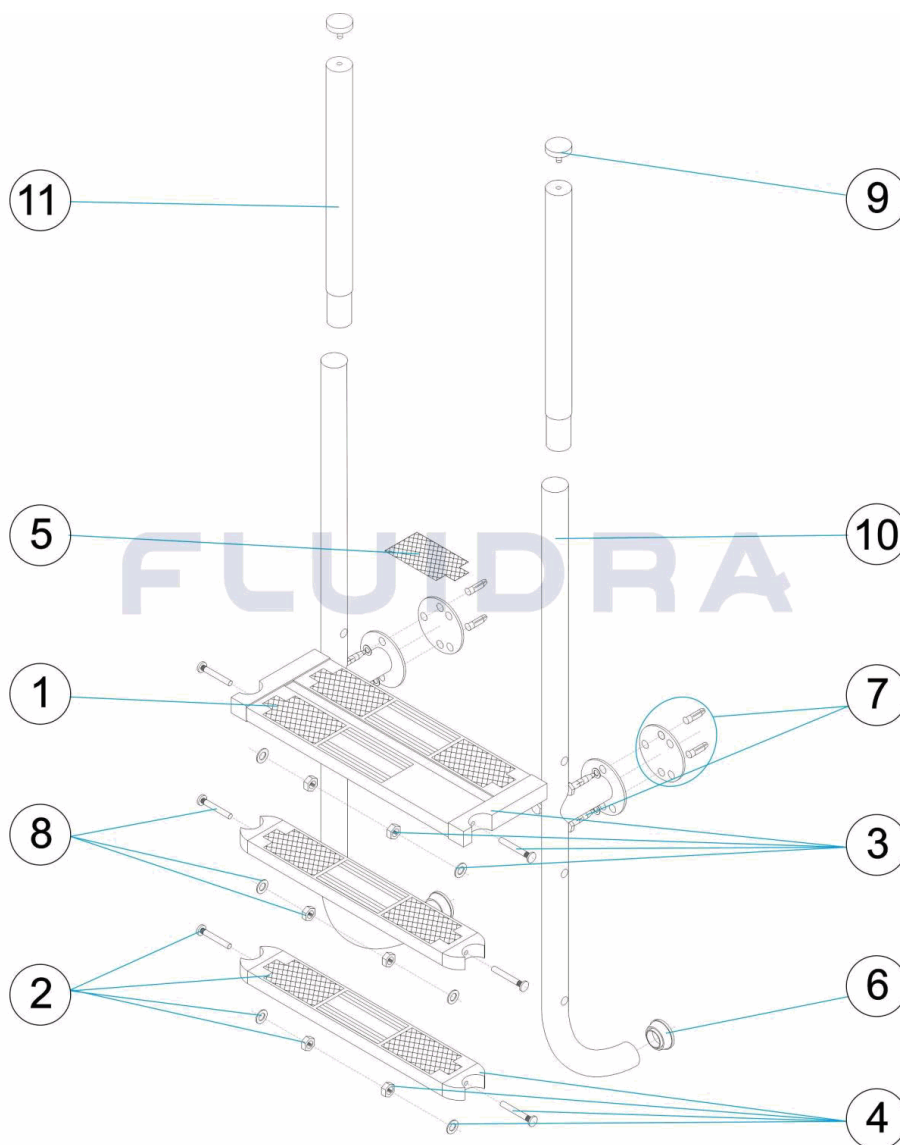
POS	CODE	DESCRIPTION	QUANTITY	POS	CODE	DESCRIPTION	QUANTITY
1	4401010805	SAFETY TREAD 316		8	4401010111	TREAD BOLT SET 316	
2	4401010104	DELUXE TREAD 316		9	4401013204	HANDRAIL PLUNG	
3	4401010807	SAFETY TREAD END SET		10	* 45899R0200	SHORT 2 TREAD LADDER HANDRAIL	
4	4401013203	STEP END CAP		10	* 45900R0200	HANDRAIL TWO-PART LADDER 3 STEPS	
5	4401010108	DELUXE TREAD END INSERT		10	* 45901R0200	HANDRAIL TWO-PART LADDER 4 STEPS	
6	4401010112	LADDER END CAP		10	* 45902R0200	SHORT 5 TREAD LADDER HANDRAIL	
7	4401010802	FLANGE SET 316		11	43990R0001	HANDRAIL	

CODE **45899, 45900, 45901, 45902**DESCRIPTION: **ELEGANCE LADDER AISI 316 WOODEN HANDRAIL****OBSERVATIONS**

POS	CODE	OBSERVATIONS
10	45899R0200	FOR: 45899
10	45900R0200	FOR: 45900
10	45901R0200	FOR: 45901
10	45902R0200	FOR: 45902

CODICE **45899, 45900, 45901, 45902**

DESCRIZIONE: **SCALA ELEGANTE AISI 316 CORRIMANO LEGNO**



**ITALIANO**

POS	CODICE	DESCRIZIONE	QUANTITA'	POS	CODICE	DESCRIZIONE	QUANTITA'
1	4401010805	GRADINO DI SICUREZZA AISI 316		8	4401010111	BULLONERIA GRADINO AISI 316	
2	4401010104	GRADINO LUXE AISI 316		9	4401013204	TAPPO	
3	4401010807	SUPPORTO LATERALE SICUREZZA		10	* 45899R0200	CORRIMANO SCALA 2 GR.	
4	4401013203	SOSTEGNO LATERALE GRADINO		10	* 45900R0200	CORRIMANO SCALA 3 GRADINI	
5	4401010108	TAPPETINO FINITURA GRADINO LUXE		10	* 45901R0200	CORRIMANO SCALA 4 GRADINI	
6	4401010112	TAPPO SCALA		10	* 45902R0200	CORRIMANO SCALA 5 GR.	
7	4401010802	BULLONERIA FISSAGGIO SCALA 316		11	43990R0001	CORRIMANO SCALA	

CODICE **45899, 45900, 45901, 45902**

DESCRIZIONE: **SCALA ELEGANTE AISI 316 CORRIMANO LEGNO**

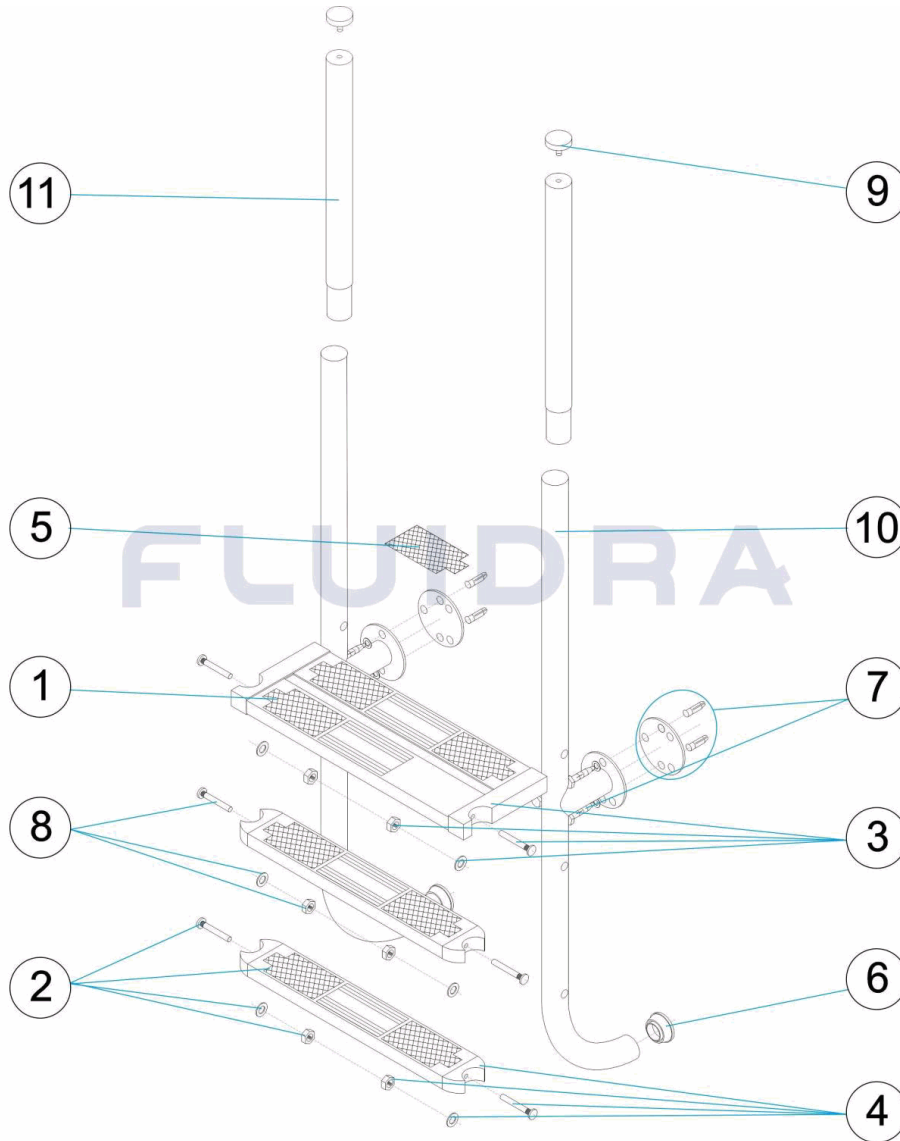
## OSSERVAZIONI

POS	CODICE	OSSERVAZIONI
10	45899R0200	PER: 45899
10	45900R0200	PER: 45900
10	45901R0200	PER: 45901
10	45902R0200	PER: 45902



CODE **45899, 45900, 45901, 45902**

BESCHREIBUNG: **TREPPE ELEGANCE AISI 316 HANDLAUF HOLZ**



**DEUTSCH**

POS	CODE	BESCHREIBUNG	MENGE	POS	CODE	BESCHREIBUNG	MENGE
1	4401010805	SICHERHEITSTUFE 316		8	4401010111	SCHRAUBENSATZ STUFE 316	
2	4401010104	STUFE LUXE 316		9	4401013204	STOPFEN HANDLAUF	
3	4401010807	SICHERHEITSHALTERUNG SEITLICH		10	* 45899R0200	HANDLAUF TREPPE ELEGANCE 2 STUFEN	
4	4401013203	SEITENHALTERUNG STUFE		10	* 45900R0200	HANDLAUF TREPPE PARTIDA 3 STUFEN	
5	4401010108	ABSCHLUSSPLATTE STUFE LUXE		10	* 45901R0200	HANDLAUF TREPPE PARTIDA 4 STUFEN	
6	4401010112	ABSCHLUSS TREPPE		10	* 45902R0200	HANDLAUF TREPPE ELEGANCE 5 STUFEN	
7	4401010802	FIXIERSCHRAUBEN TREPPE 316		11	43990R0001	HANDLAUF OBEN	

CODE **45899, 45900, 45901, 45902**

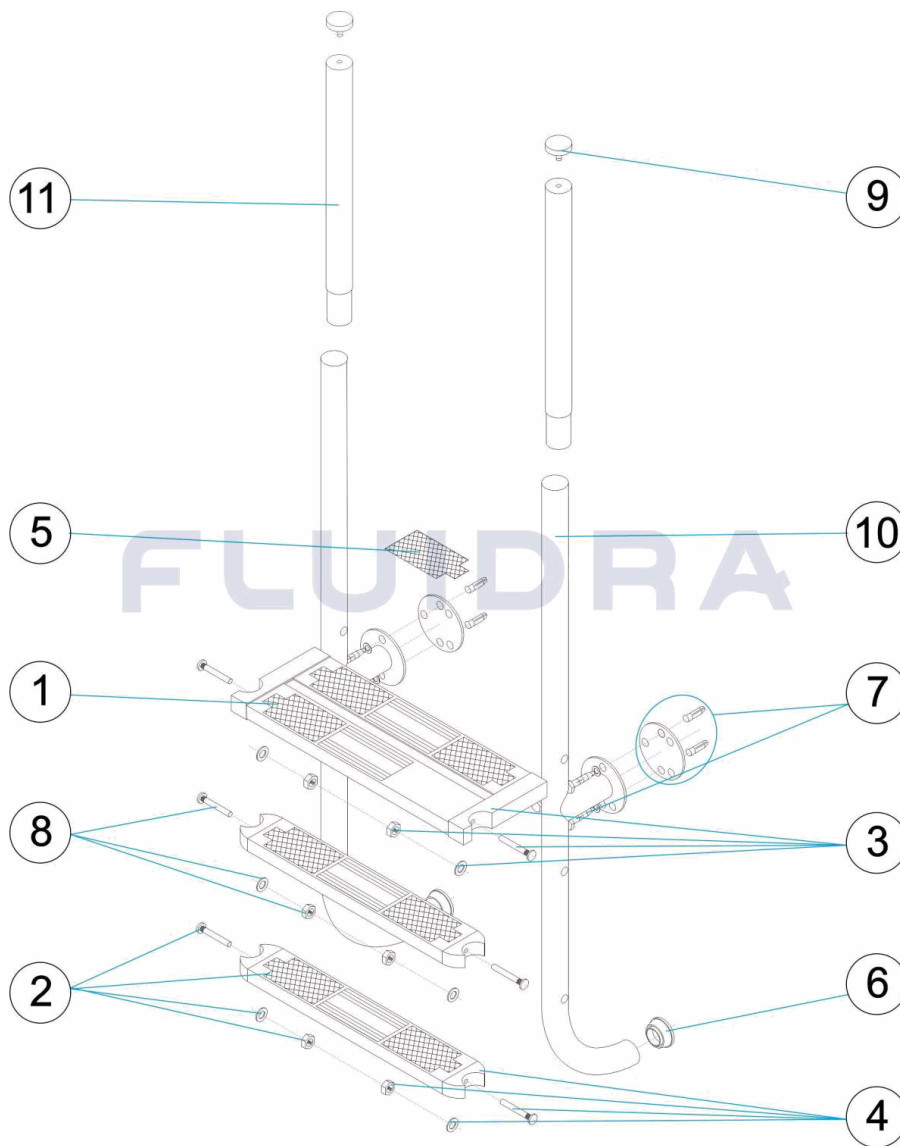
BESCHREIBUNG: **TREPPE ELEGANCE AISI 316 HANDLAUF HOLZ**

**HINWEISE**

POS	CODE	HINWEISE
10	45899R0200	FÜR: 45899
10	45900R0200	FÜR: 45900
10	45901R0200	FÜR: 45901
10	45902R0200	FÜR: 45902

CODIGO **45899, 45900, 45901, 45902**

DESCRIÇÃO: **ESCADA ELEGANCE AISI 316 CORRIMÃO MADEIRA**



**PORTUGUES**

POS	CODIGO	DESCRIÇÃO	QUANTIDADE	POS	CODIGO	DESCRIÇÃO	QUANTIDADE
1	4401010805	DEGRAU SEGURANÇA 316		8	4401010111	PARAFUSOS DEGRAU 316	
2	4401010104	DEGRAU LUXE 316		9	4401013204	TAMPAO	
3	4401010807	SUPORTE LATERAL SEGURANÇA		10	* 45899R0200	CORRIMÃO 2 DEGRAUS	
4	4401013203	SUPORTE LATERAL DEGRAU		10	* 45900R0200	CORRIMÃO 3 DEGRAUS	
5	4401010108	ANTI DERRAPANTE DEGRAU LUXE		10	* 45901R0200	CORRIMÃO 4 DEGRAUS	
6	4401010112	BATENTE ESCADA		10	* 45902R0200	CORRIMÃO 5 DEGRAUS	
7	4401010802	PARAFUSOS FIXAÇÃO ESCADA 316		11	43990R0001	CORRIMÃO	

**CODIGO**                    **45899, 45900, 45901, 45902**

**DESCRIÇÃO: ESCADA ELEGANCE AISI 316 CORRIMÃO MADEIRA**

## OBSERVAÇÕES

POS	CODIGO	OBSERVAÇÕES
10	45899R0200	PARA: 45899
10	45900R0200	PARA: 45900
10	45901R0200	PARA: 45901
10	45902R0200	PARA: 45902