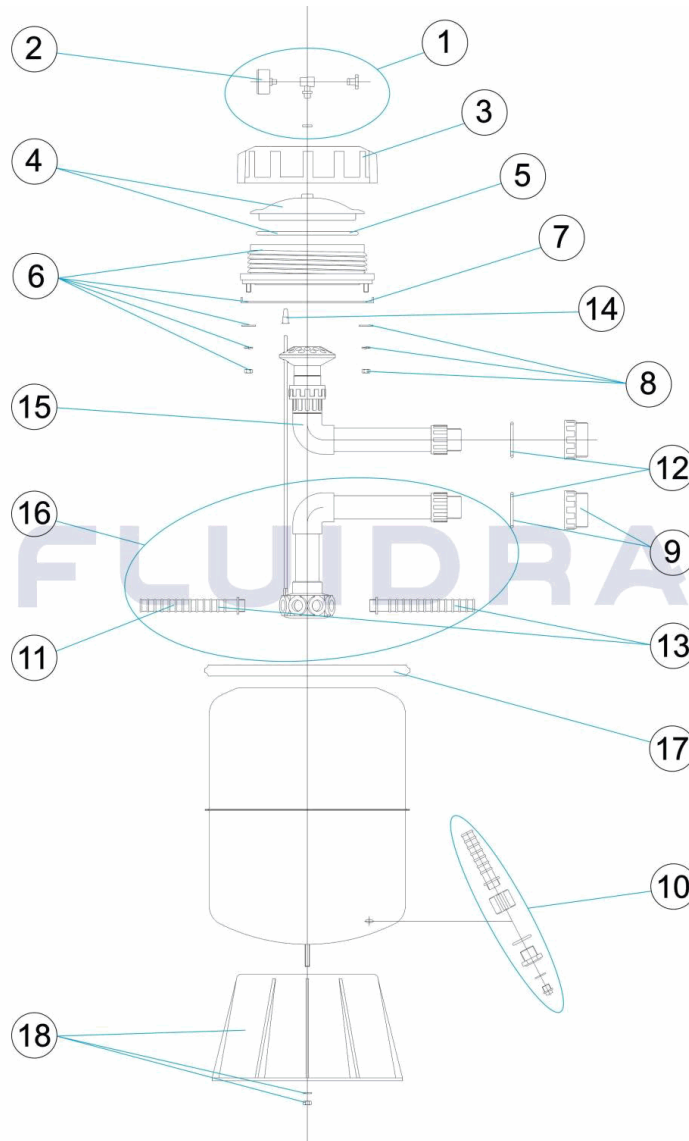


CODIGO **05559, 05560, 05561, 05562**

DESCRIPCION: **FILTRO ACERO INOX. D. 350-450-500-600**



ESPAÑOL

POS	CODIGO	DESCRIPCION	CANTIDAD	POS	CODIGO	DESCRIPCION	CANTIDAD
1	4404080104	MANOMETRO COMPLETO		13	* 4404010073	CJTO. BRAZOS COLECTOR D. 350 - 400	
2	4404010103	MANOMETRO 1/8" 3 KG./C "		13	* 4404010074	CJTO. BRAZOS COLECTOR D. 450 - 500	
3	4404180102	TUERCA TAPA		13	* 4404010075	CJTO. BRAZOS COLECTOR D. 600	
4	4404180105	TAPA TRANSPARENTE (PC) + JUNTA		14	4404040108	PURGA AIRE	
5	4404180201	JUNTA TORICA		15	* 4404010059	CJTO. DIFUSOR D. 350	
6	4404060106	CJTO. BASE TAPA		15	* 4404010060	CJTO. DIFUSOR D. 450	
7	4404060107	JUNTA BASE		15	* 4404010061	CJTO. DIFUSOR D. 500	
8	4404060108	TORNILLERIA BASE TAPA		15	* 4404010062	CJTO. DIFUSOR D. 600	
9	4404010104	RACORD 1 1/2" + JUNTA TORIC "		16	* 4404010063	CJTO. COLECTOR D. 350	
10	4404060110	PURGA AGUA 3/4"		16	* 4404010064	CJTO. COLECTOR D. 450	
11	* 4404300119	BRAZO COLECTOR 3/4" 110 M "		16	* 4404010067	CJTO. COLECTOR D. 500	
11	* 4404300120	BRAZO COLECTOR 3/4" 160 M "		16	* 4404010068	CJTO. COLECTOR D. 600	
11	* 4404300712	BRAZO COLECTOR 3/4" 225M "		17	* 4404010069	JUNTA EMBELLECEDORA D. 350	

CODIGO 05559, 05560, 05561, 05562

DESCRIPCION: FILTRO ACERO INOX. D. 350-450-500-600

12	4404302303	JUNTA TORICA RACCORD 66,04X5,33	17	* 4404010070	JUNTA EMBELLECEDORA D. 450
17	* 4404010071	JUNTA EMBELLECEDORA D. 500	18	* 4404010077	PIE FILTRO D. 450
17	* 4404010072	JUNTA EMBELLECEDORA D. 600	18	* 4404010078	PIE FILTRO D. 500
18	* 4404010076	PIE FILTRO D. 350	18	* 4404010079	PIE FILTRO D. 600

CODIGO 05559, 05560, 05561, 05562

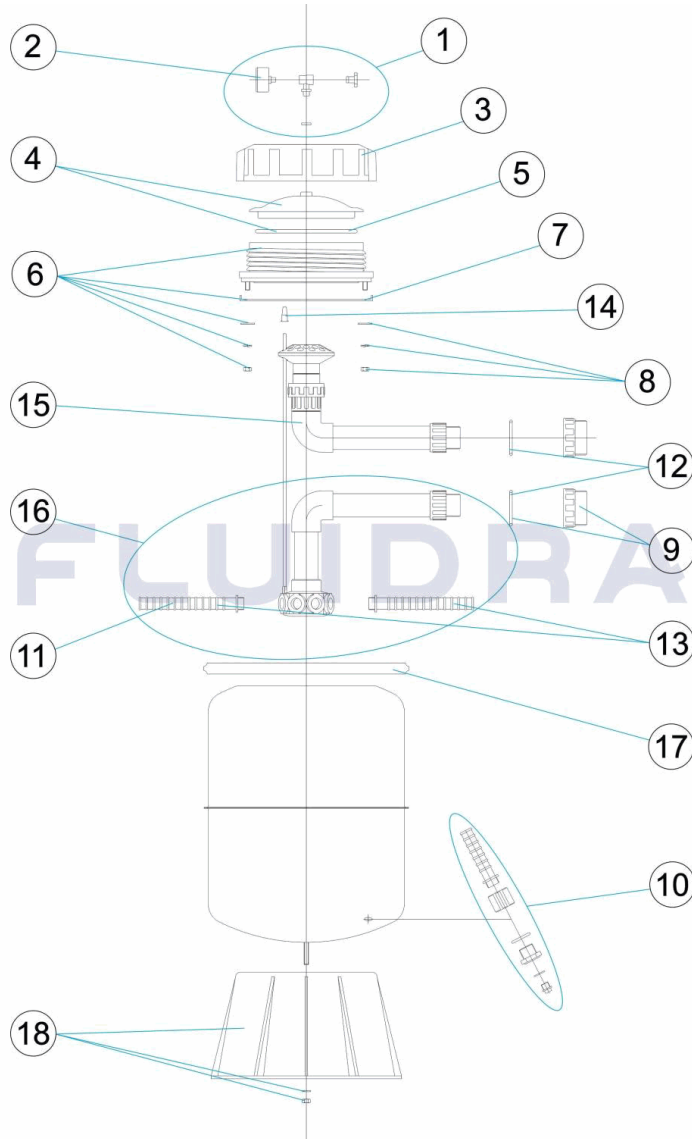
DESCRIPCION: FILTRO ACERO INOX. D. 350-450-500-600

OBSERVACIONES

POS	CODIGO	OBSERVACIONES
11	4404300119	PARA: 05559 [4UT]
11	4404300120	PARA: 05560 [4UT], 05561 [4UT]
11	4404300712	PARA: 05560 [4UT]
13	4404010073	PARA: 05559
13	4404010074	PARA: 05560, 05561
13	4404010075	PARA: 05562
15	4404010059	PARA: 05559
15	4404010060	PARA: 05560
15	4404010061	PARA: 05561
15	4404010062	PARA: 05562
16	4404010063	PARA: 05559
16	4404010064	PARA: 05560
16	4404010067	PARA: 05561
16	4404010068	PARA: 05562
17	4404010069	PARA: 05559
17	4404010070	PARA: 05560
17	4404010071	PARA: 05561
17	4404010072	PARA: 05562
18	4404010076	PARA: 05559
18	4404010077	PARA: 05560
18	4404010078	PARA: 05561
18	4404010079	PARA: 05562

CODE **05559, 05560, 05561, 05562**

DESCRIPTION: **FILTRE INOX. D. 350-450-500-600**



FRANCAIS

POS	CODE	DESCRIPTION	QUANTITE	POS	CODE	DESCRIPTION	QUANTITE
1	4404080104	MANOMETRE COMPLET		13	* 4404010073	ENSEMBLE BRAS DE REPARTITEUR D. 350	
2	4404010103	MANOMETRE 1/8" 3 KG./C "		13	* 4404010074	ENSEMBLE BRAS DE REPARTITEUR D. 450	
3	4404180102	ECROU DE COUVERCLE		13	* 4404010075	ENSEMBLE BRAS DE REPARTITEUR D. 600	
4	4404180105	COUVERCLE TRANSPARENT + JOINT		14	4404040108	PURGE D'AIR	
5	4404180201	JOINT TORIQUE		15	* 4404010059	ENSEMBLE DIFFUSEUR D. 350	
6	4404060106	ENSEMBLE EMBASE COUVERCLE		15	* 4404010060	ENSEMBLE DIFFUSEUR D. 450	
7	4404060107	JOINT EMBASE		15	* 4404010061	ENSEMBLE DIFFUSEUR D. 500	
8	4404060108	VISSERIE EMBASE COUVERCLE		15	* 4404010062	ENSEMBLE DIFFUSEUR D. 600	
9	4404010104	RACCORD 1 1/2" + JOINT TORIQU "		16	* 4404010063	ENSEMBLE COLLECTEUR D. 350	
10	4404060110	PURGE D'EAU 3/4"		16	* 4404010064	ENSEMBLE COLLECTEUR D. 450	
11	* 4404300119	BRAS DE REPARTITEUR 3/4" 110M "		16	* 4404010067	ENSEMBLE COLLECTEUR D. 500	
11	* 4404300120	BRAS DE REPARTITEUR 3/4" 160M "		16	* 4404010068	ENSEMBLE COLLECTEUR D. 600	
11	* 4404300712	BRAS DE REPARTITEUR 3/4" 225M "		17	* 4404010069	JOINT ENJOLIV. FILTRE INOX. 350	

*** VOIR FICHE D'OBSERVATIONS**

CODE **05559, 05560, 05561, 05562**

DESCRIPTION: **FILTRE INOX. D. 350-450-500-600**

12	4404302303	JOINT TORIQUE RACCORD SORTIE D.66.04>	17	* 4404010070	JOINT ENJOLIV. FILTRE INOX. 450
17	* 4404010071	JOINT ENJOLIV. FILTRE INOX. 500	18	* 4404010077	SOCLE FILTRE D 450
17	* 4404010072	JOINT ENJOLIV. FILTRE INOX. 600	18	* 4404010078	SOCLE FILTRE D 500
18	* 4404010076	SOCLE FILTRE D 350	18	* 4404010079	SOCLE FILTRE D 600

CODE **05559, 05560, 05561, 05562**

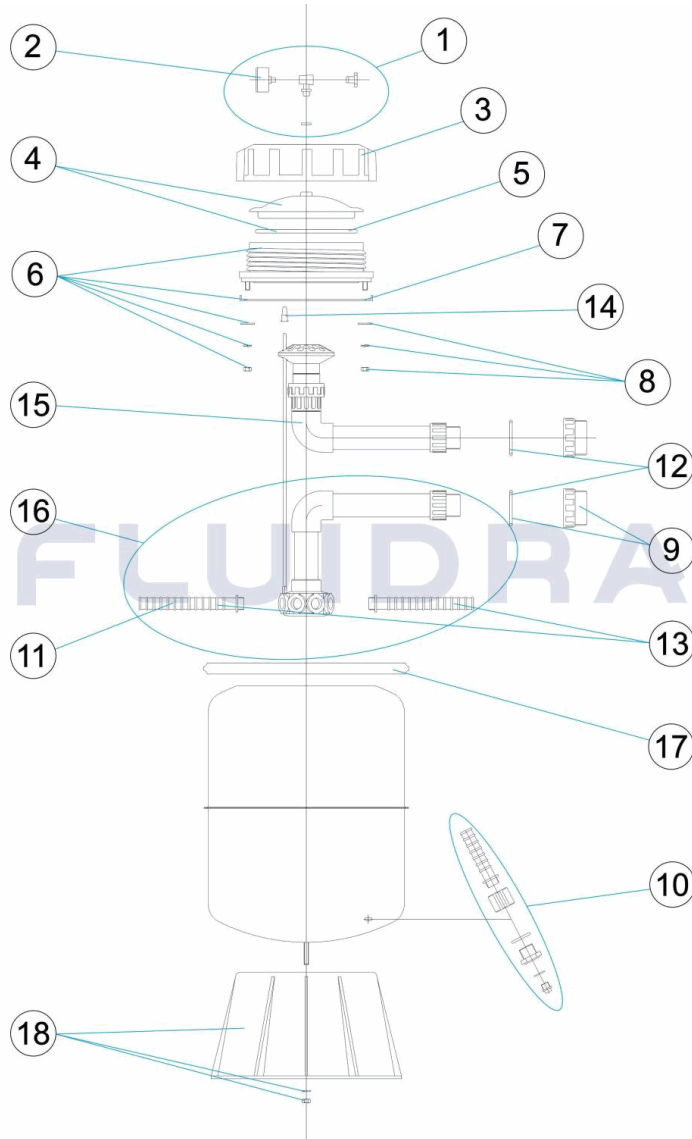
DESCRIPTION: **FILTRE INOX. D. 350-450-500-600**

OBSERVATIONS

POS	CODE	OBSERVATIONS
11	4404300119	POUR: 05559 [4UT]
11	4404300120	POUR: 05560 [4UT], 05561 [4UT]
11	4404300712	POUR: 05560 [4UT]
13	4404010073	POUR: 05559
13	4404010074	POUR: 05560, 05561
13	4404010075	POUR: 05562
15	4404010059	POUR: 05559
15	4404010060	POUR: 05560
15	4404010061	POUR: 05561
15	4404010062	POUR: 05562
16	4404010063	POUR: 05559
16	4404010064	POUR: 05560
16	4404010067	POUR: 05561
16	4404010068	POUR: 05562
17	4404010069	POUR: 05559
17	4404010070	POUR: 05560
17	4404010071	POUR: 05561
17	4404010072	POUR: 05562
18	4404010076	POUR: 05559
18	4404010077	POUR: 05560
18	4404010078	POUR: 05561
18	4404010079	POUR: 05562

CODE **05559, 05560, 05561, 05562**

DESCRIPTION: **STAINLESS STEEL FILTER D. 350-450-500-600**



ENGLISH

POS	CODE	DESCRIPTION	QUANTITY	POS	CODE	DESCRIPTION	QUANTITY
1	4404080104	COMPLETE PRESSURE GAUGE UNIT		13	* 4404010073	MANIFOLD ARM ASSEMBLY D. 350	
2	4404010103	PRESSURE GAUGE 1/8" 3 KG./C "		13	* 4404010074	MANIFOLD ARM ASSEMBLY D. 450 - 500	
3	4404180102	THREADED LID COLLAR		13	* 4404010075	MANIFOLD ARM ASSEMBLY D. 600	
4	4404180105	TRANSPARENT LID +O' RING		14	4404040108	AIR PURGE	
5	4404180201	O' RING		15	* 4404010059	DIFFUSER ASSEMBLY D. 350	
6	4404060106	COVER BASE ASSEMBLY		15	* 4404010060	DIFFUSER ASSEMBLY D. 450	
7	4404060107	BASE GASKET		15	* 4404010061	DIFFUSER ASSEMBLY D. 500	
8	4404060108	LID BASE BOLTS		15	* 4404010062	DIFFUSER ASSEMBLY D. 600	
9	4404010104	FITTING 1 1/2" + O'RIN "		16	* 4404010063	MANIFOLD ASSEMBLY D. 350	
10	4404060110	WATER PURGE 3/4"		16	* 4404010064	MANIFOLD ASSEMBLY D. 450	
11	* 4404300119	MANIFOLD ARM 3/4" 110 M "		16	* 4404010067	MANIFOLD ASSEMBLY D. 500	
11	* 4404300120	MANIFOLD ARM 3/4" 160 M "		16	* 4404010068	MANIFOLD ASSEMBLY D. 600	
11	* 4404300712	MANIFOLD ARM 3/4" 225 M "		17	* 4404010069	STAINLESS STEEL TRIM GASKET FILTER :	

*** SEE OBSERVATIONS SHEET**

CODE **05559, 05560, 05561, 05562**

DESCRIPTION: **STAINLESS STEEL FILTER D. 350-450-500-600**

12	4404302303	O RING D.66.04X5.33	17	* 4404010070	STAINLESS STEEL TRIM GASKET FILTER *
17	* 4404010071	STAINLESS STEEL TRIM GASKET FILTER 50l	18	* 4404010077	FILTER BASE D. 450
17	* 4404010072	STAINLESS STEEL TRIM GASKET FILTER 60l	18	* 4404010078	FILTER BASE D. 500
18	* 4404010076	FILTER BASE D. 350	18	* 4404010079	FILTER BASE D. 600

CODE **05559, 05560, 05561, 05562**

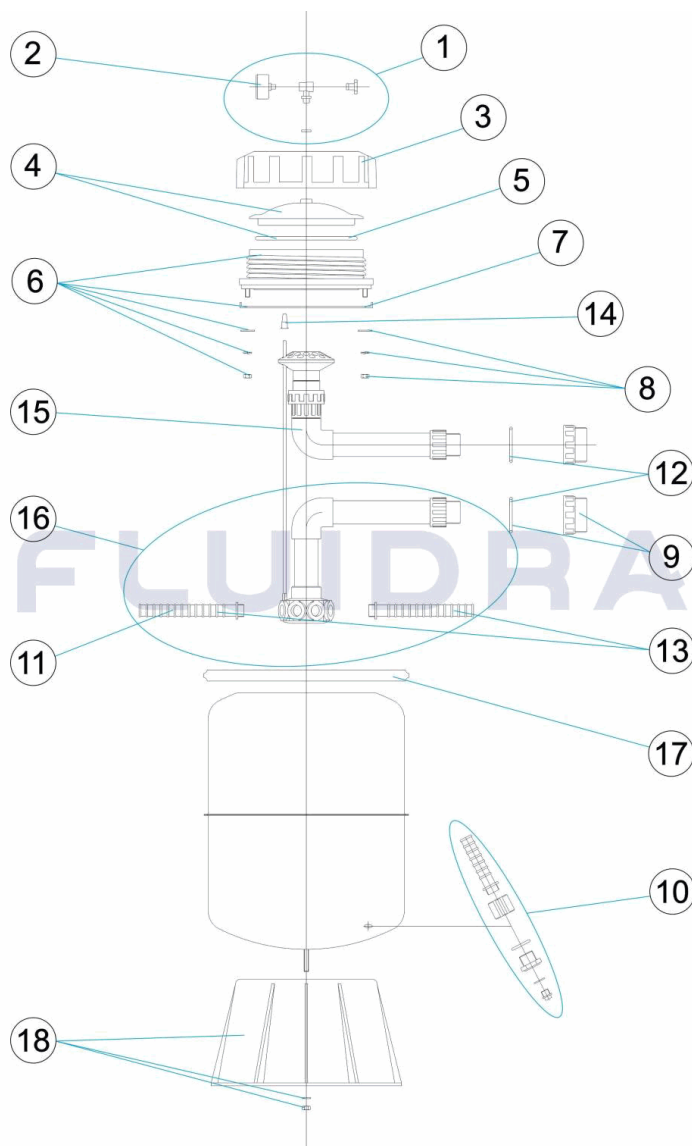
DESCRIPTION: **STAINLESS STEEL FILTER D. 350-450-500-600**

OBSERVATIONS

POS	CODE	OBSERVATIONS
11	4404300119	FOR: 05559 [4UT]
11	4404300120	FOR: 05560 [4UT], 05561 [4UT]
11	4404300712	FOR: 05560 [4UT]
13	4404010073	FOR: 05559
13	4404010074	FOR: 05560, 05561
13	4404010075	FOR: 05562
15	4404010059	FOR: 05559
15	4404010060	FOR: 05560
15	4404010061	FOR: 05561
15	4404010062	FOR: 05562
16	4404010063	FOR: 05559
16	4404010064	FOR: 05560
16	4404010067	FOR: 05561
16	4404010068	FOR: 05562
17	4404010069	FOR: 05559
17	4404010070	FOR: 05560
17	4404010071	FOR: 05561
17	4404010072	FOR: 05562
18	4404010076	FOR: 05559
18	4404010077	FOR: 05560
18	4404010078	FOR: 05561
18	4404010079	FOR: 05562

CODICE **05559, 05560, 05561, 05562**

DESCRIZIONE: **FILTRO ACCIAIO INOX D. 350-450-500-600**



ITALIANO

POS	CODICE	DESCRIZIONE	QUANTITA'	POS	CODICE	DESCRIZIONE	QUANTITA'
1	4404080104	MANOMETRO COMPLETO		13	* 4404010073	GRUPPO CANDELOTTO COLLECTORE D. :	
2	4404010103	MANOMETRO 1/8" 3 KG./C "		13	* 4404010074	GRUPPO CANDELOTTO COLLECTORE D. :	
3	4404180102	GHIERA COPERCHIO		13	* 4404010075	GRUPPO CANDELOTTO COLLECTORE D. :	
4	4404180105	COPERCHIO TRASPARENTE + O-RING		14	4404040108	SFIATO ARIA	
5	4404180201	O-RING		15	* 4404010059	RACCORDO DIFFUSORE D. 350	
6	4404060106	GRUPPO BASE COPERCHIO		15	* 4404010060	RACCORDO DIFFUSORE D. 450	
7	4404060107	GUARNIZIONE BASE		15	* 4404010061	RACCORDO DIFFUSORE D. 500	
8	4404060108	BULLONERIA BASE COPERCHIO		15	* 4404010062	RACCORDO DIFFUSORE D. 600	
9	4404010104	RACCORDO 1 1/2" + O-RIN "		16	* 4404010063	KIT COLLETTORE D. 350	
10	4404060110	SCARICO ACQUA 3/4"		16	* 4404010064	KIT COLLETTORE D. 450	
11	* 4404300119	CANDELOTTO COLLECTORE 3/4" 110M "		16	* 4404010067	KIT COLLETTORE D. 500	
11	* 4404300120	CANDELOTTO COLLECTORE 3/4" 160M "		16	* 4404010068	KIT COLLETTORE D. 600	
11	* 4404300712	CANDELOTTO COLLECTORE 3/4" 225M "		17	* 4404010069	GIUNTURA PLACCA FILTRO INOX. 350	

*** SI FACCIA RIFERIMENTO AL FOGLIO DELLE OSSERVAZIONI**

CODICE 05559, 05560, 05561, 05562

DESCRIZIONE: FILTRO ACCIAIO INOX D. 350-450-500-600

12	4404302303	O-RING RACCORDO USCITA D.66.04X5.33	17	* 4404010070	GIUNTURA PLACCA FILTRO INOX. 450
17	* 4404010071	GIUNTURA PLACCA FILTRO INOX. 500	18	* 4404010077	BASE FILTRO D 450
17	* 4404010072	GIUNTURA PLACCA FILTRO INOX. 600	18	* 4404010078	BASE FILTRO D 500
18	* 4404010076	BASE FILTRO D 350	18	* 4404010079	BASE FILTRO D 600

CODICE **05559, 05560, 05561, 05562**

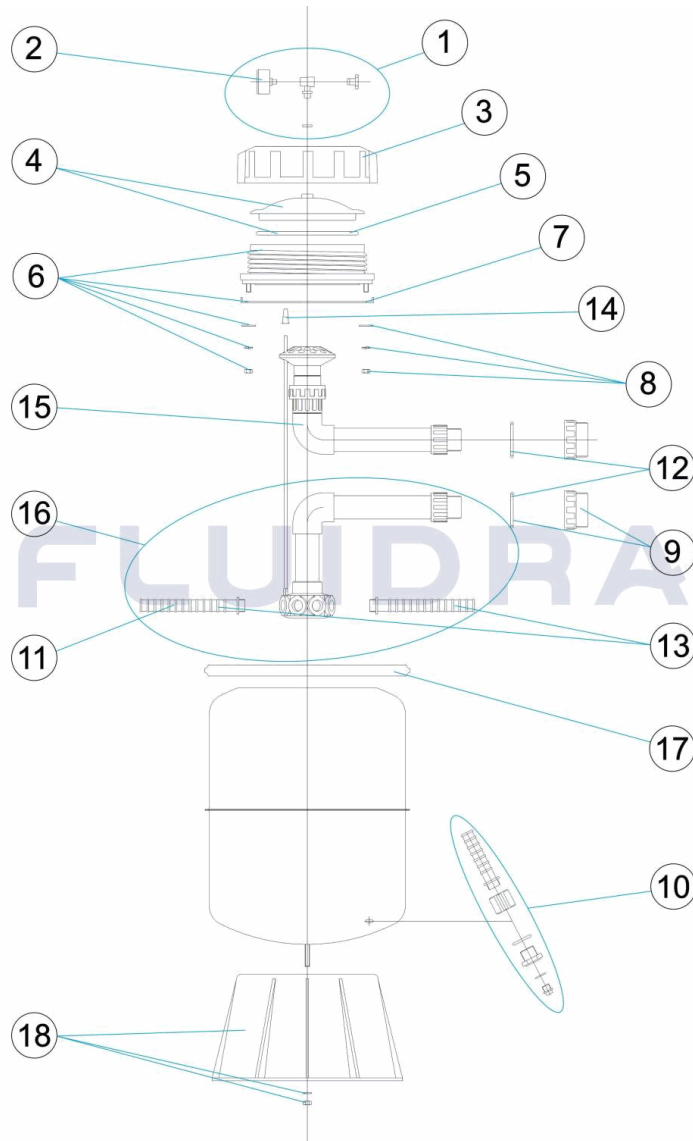
DESCRIZIONE: **FILTRO ACCIAIO INOX D. 350-450-500-600**

OSSERVAZIONI

POS	CODICE	OSSERVAZIONI
11	4404300119	PER: 05559 [4UT]
11	4404300120	PER: 05560 [4UT], 05561 [4UT]
11	4404300712	PER: 05560 [4UT]
13	4404010073	PER: 05559
13	4404010074	PER: 05560, 05561
13	4404010075	PER: 05562
15	4404010059	PER: 05559
15	4404010060	PER: 05560
15	4404010061	PER: 05561
15	4404010062	PER: 05562
16	4404010063	PER: 05559
16	4404010064	PER: 05560
16	4404010067	PER: 05561
16	4404010068	PER: 05562
17	4404010069	PER: 05559
17	4404010070	PER: 05560
17	4404010071	PER: 05561
17	4404010072	PER: 05562
18	4404010076	PER: 05559
18	4404010077	PER: 05560
18	4404010078	PER: 05561
18	4404010079	PER: 05562

CODE **05559, 05560, 05561, 05562**

BESCHREIBUNG: **FILTER EDELSTAHL D. 350-450-500-600**



DEUTSCH

POS	CODE	BESCHREIBUNG	MENGE	POS	CODE	BESCHREIBUNG	MENGE
1	4404080104	MANOMETER KOMPLETT		13	* 4404010073	SET FILTERSTERN-SCHLITZROHR D. 350 -	
2	4404010103	MANOMETER 1/8" 3 KG/C "		13	* 4404010074	SET FILTERSTERN-SCHLITZROHR D. 450 -	
3	4404180102	MUTTER ABDECKUNG		13	* 4404010075	SET FILTERSTERN-SCHLITZROHR D. 600	
4	4404180105	ABDECKUNG TRANSPARENT UND DICHTUN		14	4404040108	ENTLÜFTUNG	
5	4404180201	O-RING		15	* 4404010059	SET WASSERVERTEILER D. 350	
6	4404060106	SET DECKELBASIS		15	* 4404010060	SET WASSERVERTEILER D. 450	
7	4404060107	DICHTUNG BASIS		15	* 4404010061	SET WASSERVERTEILER D. 500	
8	4404060108	SCHRAUBENSATZ DECKELBASIS		15	* 4404010062	SET WASSERVERTEILER D. 600	
9	4404010104	GEWINDESTÜCK 1 1/2" UND O-RIN "		16	* 4404010063	SAMMELROHRSET D. 350	
10	4404060110	WASSERABLAß 3/4"		16	* 4404010064	SAMMELROHRSET D. 450	
11	* 4404300119	FILTERSTERN-SCHLITZROHR 3/4" 110M "		16	* 4404010067	SAMMELROHRSET D. 500	
11	* 4404300120	FILTERSTERN-SCHLITZROHR 3/4" 160 M "		16	* 4404010068	SAMMELROHRSET D. 600	
11	* 4404300712	FILTERSTERN-SCHLITZROHR 3/4" 225M "		17	* 4404010069	DICHTUNG BLENDE D. 350	

*** SIEHE ANMERKUNGSBLATT**

CODE **05559, 05560, 05561, 05562**

BESCHREIBUNG: **FILTER EDELSTAHL D. 350-450-500-600**

12	4404302303	O-RING GEWINDESTÜCK D. 66,04 X 5,33	17	* 4404010070	DICHTUNG BLENDE D. 450
17	* 4404010071	DICHTUNG BLENDE D. 500	18	* 4404010077	FILTERFUSS D. 450
17	* 4404010072	DICHTUNG BLENDE D. 600	18	* 4404010078	FILTERFUSS D. 500
18	* 4404010076	FILTERFUSS D. 350	18	* 4404010079	FILTERFUSS D. 600

CODE **05559, 05560, 05561, 05562**

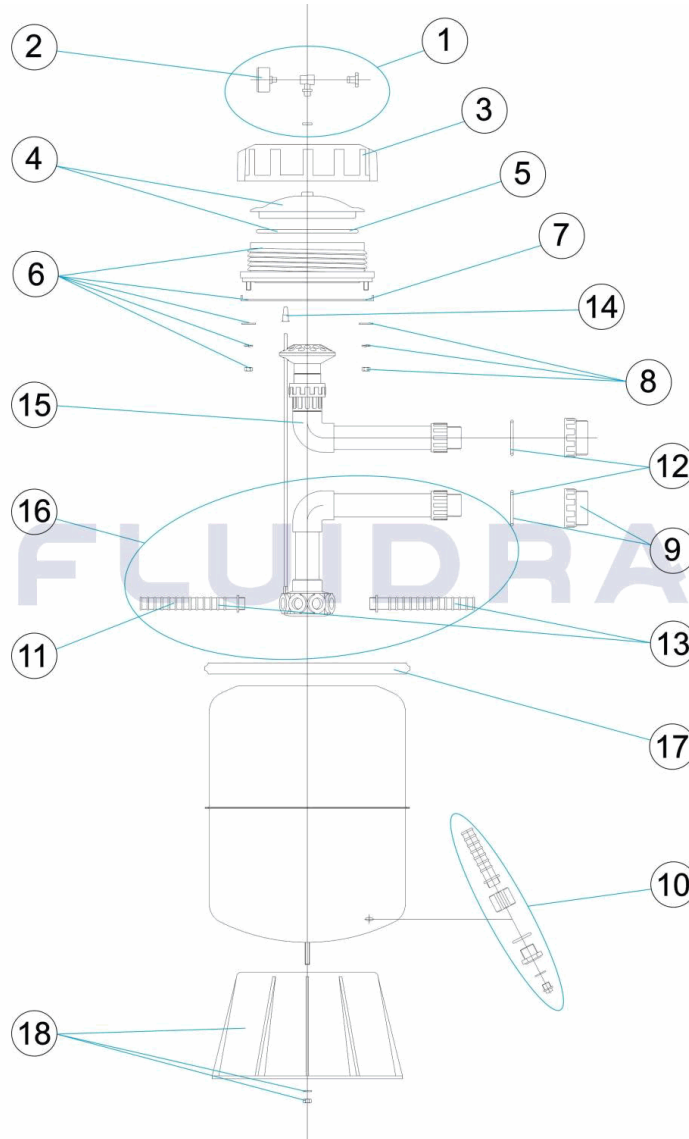
BESCHREIBUNG: **FILTER EDELSTAHL D. 350-450-500-600**

HINWEISE

POS	CODE	HINWEISE
11	4404300119	FÜR: 05559 [4UT]
11	4404300120	FÜR: 05560 [4UT], 05561 [4UT]
11	4404300712	FÜR: 05560 [4UT]
13	4404010073	FÜR: 05559
13	4404010074	FÜR: 05560, 05561
13	4404010075	FÜR: 05562
15	4404010059	FÜR: 05559
15	4404010060	FÜR: 05560
15	4404010061	FÜR: 05561
15	4404010062	FÜR: 05562
16	4404010063	FÜR: 05559
16	4404010064	FÜR: 05560
16	4404010067	FÜR: 05561
16	4404010068	FÜR: 05562
17	4404010069	FÜR: 05559
17	4404010070	FÜR: 05560
17	4404010071	FÜR: 05561
17	4404010072	FÜR: 05562
18	4404010076	FÜR: 05559
18	4404010077	FÜR: 05560
18	4404010078	FÜR: 05561
18	4404010079	FÜR: 05562

CODIGO 05559, 05560, 05561, 05562

DESCRIÇÃO: FILTRO AÇO INOX. D. 350-450-500-600



PORTUGUES

POS	CODIGO	DESCRIÇÃO	QUANTIDADE	POS	CODIGO	DESCRIÇÃO	QUANTIDADE
1	4404080104	MANÔMETRO COMPLETO		13	* 4404010073	CJTO. BRAÇO COLECTOR D. 350	
2	4404010103	MANOMETRO 1/8" 3 KG./C "		13	* 4404010074	CJTO. BRAÇO COLECTOR D. 450 - 500	
3	4404180102	PORCA TAMPA		13	* 4404010075	CJTO. BRAÇO COLECTOR D. 600	
4	4404180105	TAMPA TRANSPARENTE + JUNTA		14	4404040108	PURGA AREIA	
5	4404180201	JUNTA TÓRICA		15	* 4404010059	CJTO. DIFUSOR D. 350	
6	4404060106	CONJUNTO BASE TAMPA		15	* 4404010060	CJTO. DIFUSOR D. 450	
7	4404060107	JUNTA BASE		15	* 4404010061	CJTO. DIFUSOR D. 500	
8	4404060108	CONJ. PARAFUSOS BASE TAMPA		15	* 4404010062	CJTO. DIFUSOR D. 600	
9	4404010104	RACORD 1 1/2" JUNTA TORIC "		16	* 4404010063	CJTO. COLECTOR D. 350	
10	4404060110	PURGA ÁGUA 3/4"		16	* 4404010064	CJTO. COLECTOR D. 450	
11	* 4404300119	BRAÇO COLECTOR 3/4" 110M "		16	* 4404010067	CJTO. COLECTOR D. 500	
11	* 4404300120	BRAÇO COLECTOR 3/4" 160M "		16	* 4404010068	CJTO. COLECTOR D. 600	
11	* 4404300712	BRAÇO COLECTOR 3/4" 225M "		17	* 4404010069	JUNTA DECOR. FILTRO INOX. 350	

*** VEJA A FICHA DE OBSERVAÇÕES**

CODIGO **05559, 05560, 05561, 05562**

DESCRIÇÃO: **FILTRO AÇO INOX. D. 350-450-500-600**

12	4404302303	JUNTA TÓRICA D.66.04X5.33	17	* 4404010070	JUNTA DECOR. FILTRO INOX. 450
17	* 4404010071	JUNTA DECOR. FILTRO INOX. 500	18	* 4404010077	PÉ FILTRO D 450
17	* 4404010072	JUNTA DECOR. FILTRO INOX. 600	18	* 4404010078	PÉ FILTRO D 500
18	* 4404010076	PÉ FILTRO D 350	18	* 4404010079	PÉ FILTRO D 600

CODIGO 05559, 05560, 05561, 05562

DESCRIÇÃO: FILTRO AÇO INOX. D. 350-450-500-600

OBSERVACÕES

POS	CODIGO	OBSERVACÕES
11	4404300119	PARA: 05559 [4UT]
11	4404300120	PARA: 05560 [4UT], 05561 [4UT]
11	4404300712	PARA: 05560 [4UT]
13	4404010073	PARA: 05559
13	4404010074	PARA: 05560, 05561
13	4404010075	PARA: 05562
15	4404010059	PARA: 05559
15	4404010060	PARA: 05560
15	4404010061	PARA: 05561
15	4404010062	PARA: 05562
16	4404010063	PARA: 05559
16	4404010064	PARA: 05560
16	4404010067	PARA: 05561
16	4404010068	PARA: 05562
17	4404010069	PARA: 05559
17	4404010070	PARA: 05560
17	4404010071	PARA: 05561
17	4404010072	PARA: 05562
18	4404010076	PARA: 05559
18	4404010077	PARA: 05560
18	4404010078	PARA: 05561
18	4404010079	PARA: 05562