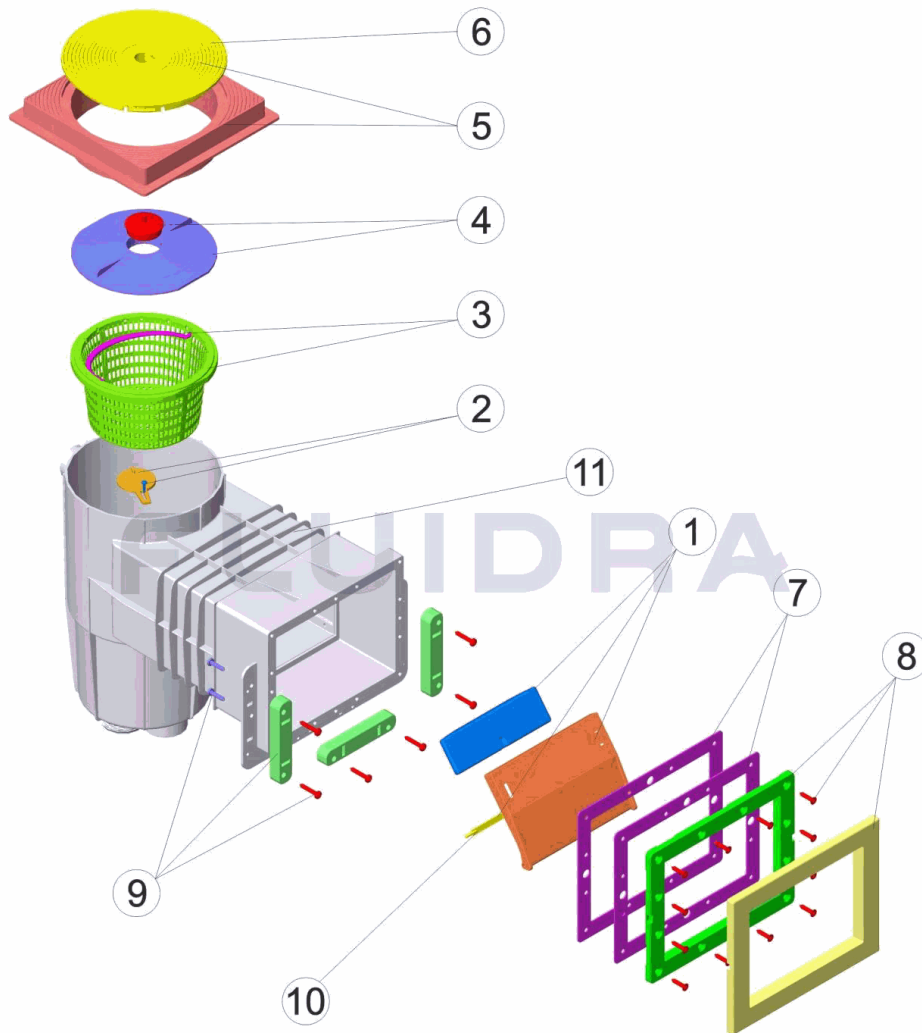


CODIGO **32378**

DESCRIPCION: **SKIMMER 15L P. PANELES B. PEQ. T. CUADRADA**

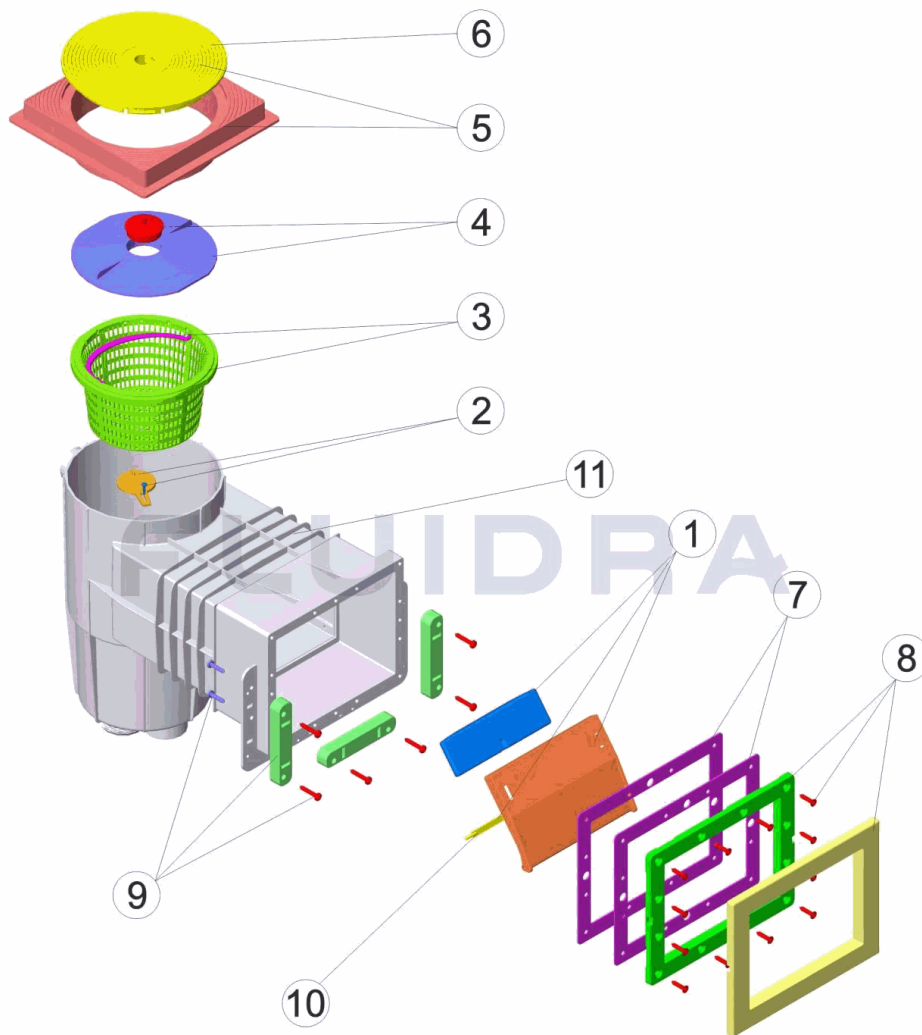


ESPAÑOL

POS	CODIGO	DESCRIPCION	CANTIDAD	POS	CODIGO	DESCRIPCION	CANTIDAD
1	4402010101	COMPUERTA SKIMMER BISAGRA		7	4402011611	JUNTA SKIMMER PEQUEÑA P.P.	
2	4402010102	CLAPETA SKIMMER		8	4402011612	MARCO PEQUEÑO SKIMMER P.P.	
3	4402010103	CESTO SKIMMER		9	4402011613	GROSORES BOCA SKIMMER	
4	4402010104	TAPA CESTO SKIMMER CON TAPON		10	4402010110	BISAGRA COMPUERTA	
5	4402010106	TAPA Y ARO CUADRADO SKIMMER		11	32376R0100	CONJ. CUERPO 15L B. PEQUEÑA PANELE:	
6	4402010108	TAPA CIRCULAR SKIMMER					

CODE 32378

DESCRIPTION: SKIMMER 15L P. PANNEAUX O. PET. C. CARRÉ

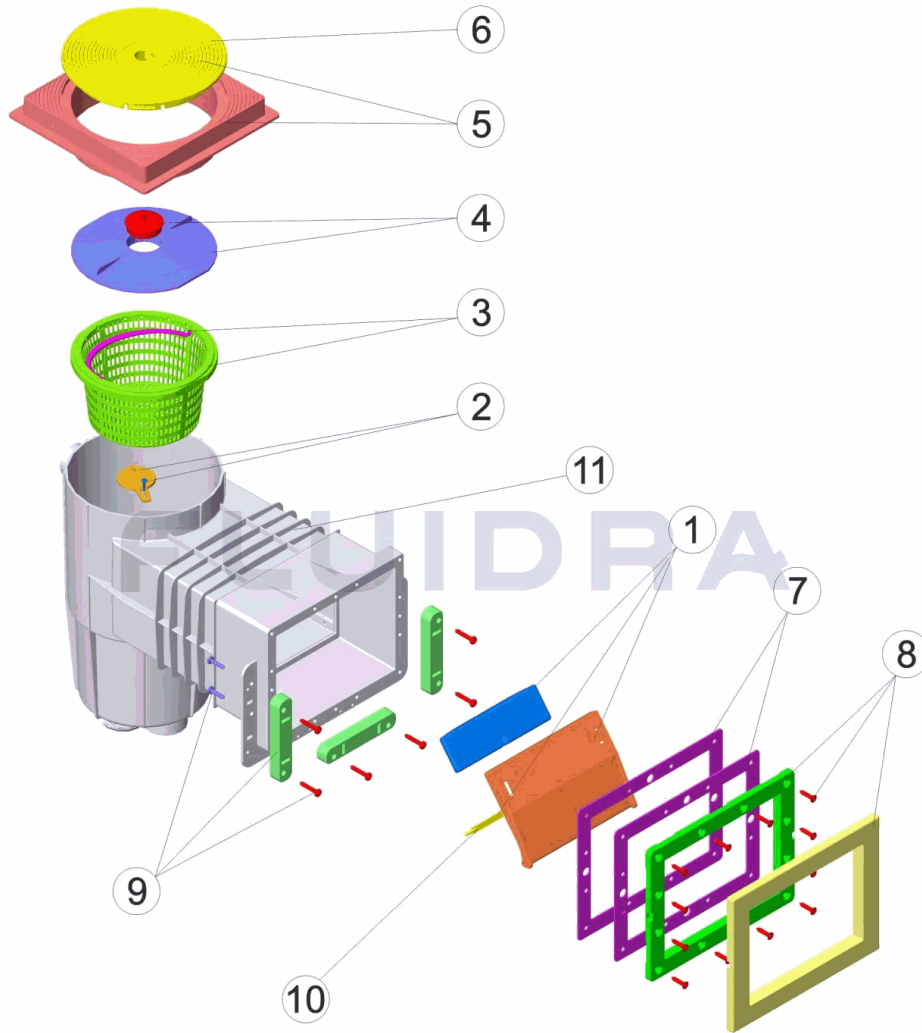


FRANCAIS

POS	CODE	DESCRIPTION	QUANTITE	POS	CODE	DESCRIPTION	QUANTITE
1	4402010101	VOLET ET CHARNIERE SKIMMER		7	4402011611	JOINT SKIMMER PETIT P.P.	
2	4402010102	CLAPET SKIMMER		8	4402011612	PETIT CADRE SKIMMER P.P.	
3	4402010103	PANIER SKIMMER		9	4402011613	PLAQUE FIXATION BOUCHE SKIMMER	
4	4402010104	COUVERCLE PANIER SKIMMER AVEC BOUC		10	4402010110	CHARNIERE VOLET	
5	4402010106	COUVERCLE ET CADRE CARRE SKIMMER		11	32376R0100	ENS. CORPS 15L B. PETITE PANNEAUX	
6	4402010108	COUVERCLE ROND SKIMMER					

CODE **32378**

DESCRIPTION: **SKIMMER 15L PANEL POOL SMALL MOUTH SQUARE COVER**

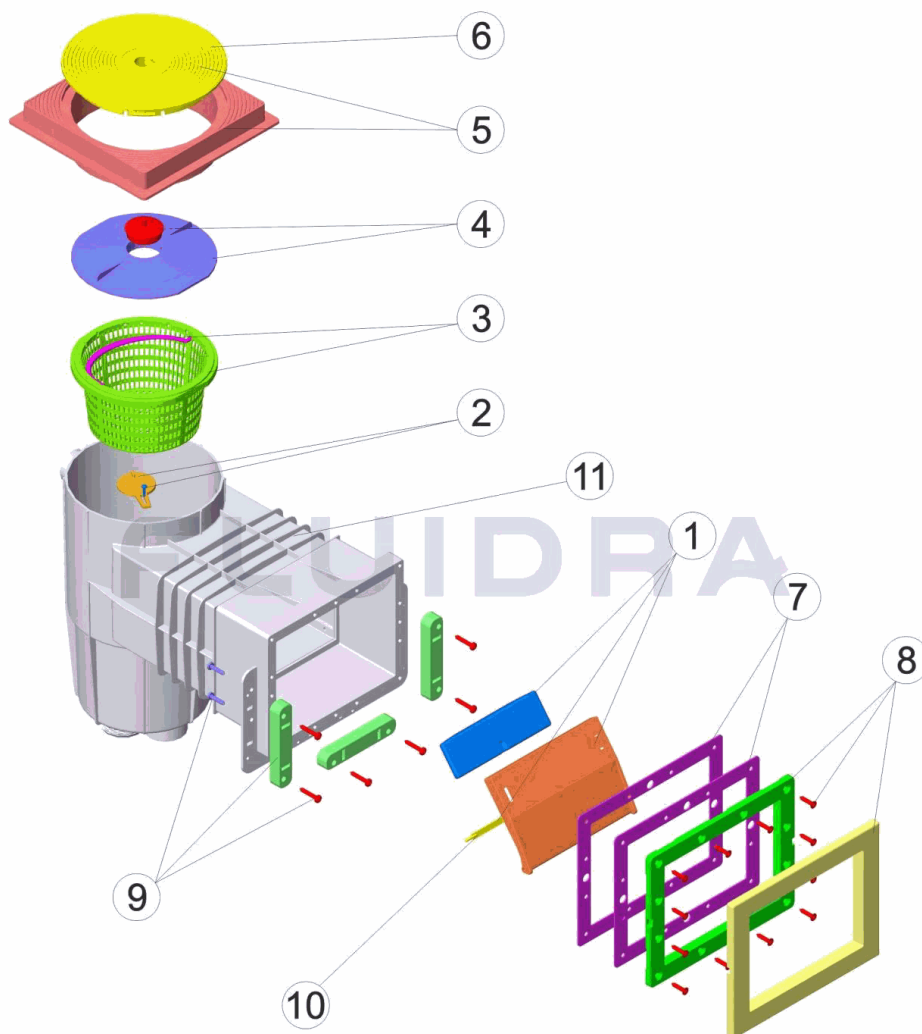


ENGLISH

POS	CODE	DESCRIPTION	QUANTITY	POS	CODE	DESCRIPTION	QUANTITY
1	4402010101	FLAP RETAINING CLIP		7	4402011611	SMALL SKIMMER GASKETS P.P.	
2	4402010102	KEYHOLE FLAP		8	4402011612	SMALL SKIMMER FRAME P.P.	
3	4402010103	SKIMMER BASKET		9	4402011613	SPACERS	
4	4402010104	VACUUM PLATE WITH PLUG		10	4402010110	HINGE FLAP	
5	4402010106	SQUARE LID AND LID FRAME		11	32376R0100	SMALL PANELS 15L BODY SET	
6	4402010108	CIRCULAR SKIMMER LID					

CODICE 32378

DESCRIZIONE: SKIMMER 15L P. PANNELLI B. PIC. TAPPO QUADRATO

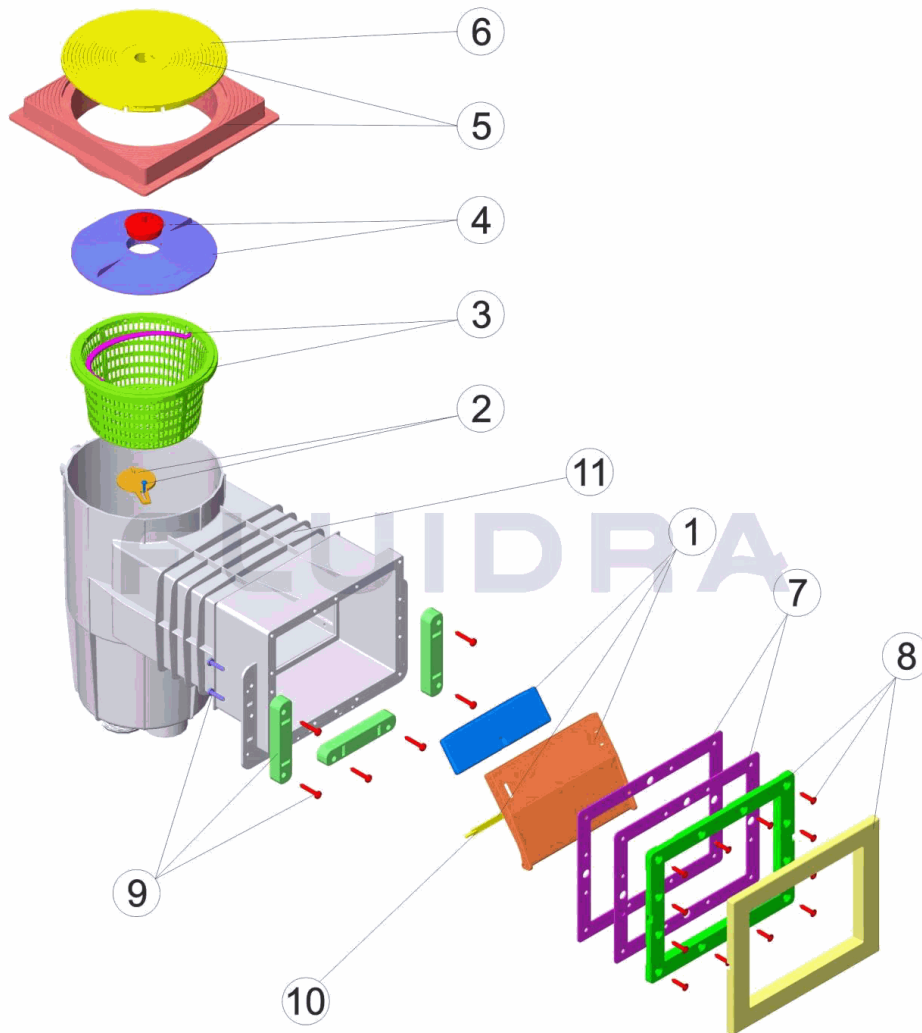


ITALIANO

POS	CODICE	DESCRIZIONE	QUANTITA'	POS	CODICE	DESCRIZIONE	QUANTITA'
1	4402010101	BATTENTE SKIMMER CON PERNO		7	4402011611	GUARNIZIONE PER SKIMMER P.P.	
2	4402010102	ALETTA PARZIALIZZATRICE SKIMMER		8	4402011612	FLANGIA SKIMMER P.P.	
3	4402010103	CESTELLO SKIMMER		9	4402011613	SPESSORE BOCCA SKIMMER IML	
4	4402010104	COPERCHIO CESTELLO SKIMMER CON TAP		10	4402010110	CERNIERE BATTENTE	
5	4402010106	COPERCHIO E CORNICE QUADRA SKIMMER		11	32376R0100	KIT CORPO 15 L. B. PANNELLO PICCOLO	
6	4402010108	COPERCHIO TONDO SKIMMER					

CODE **32378**

BESCHREIBUNG: **SKIMMER 15L PLATTENBECKEN EINLASS KLEIN ABDECKUNG QUADRATISC**

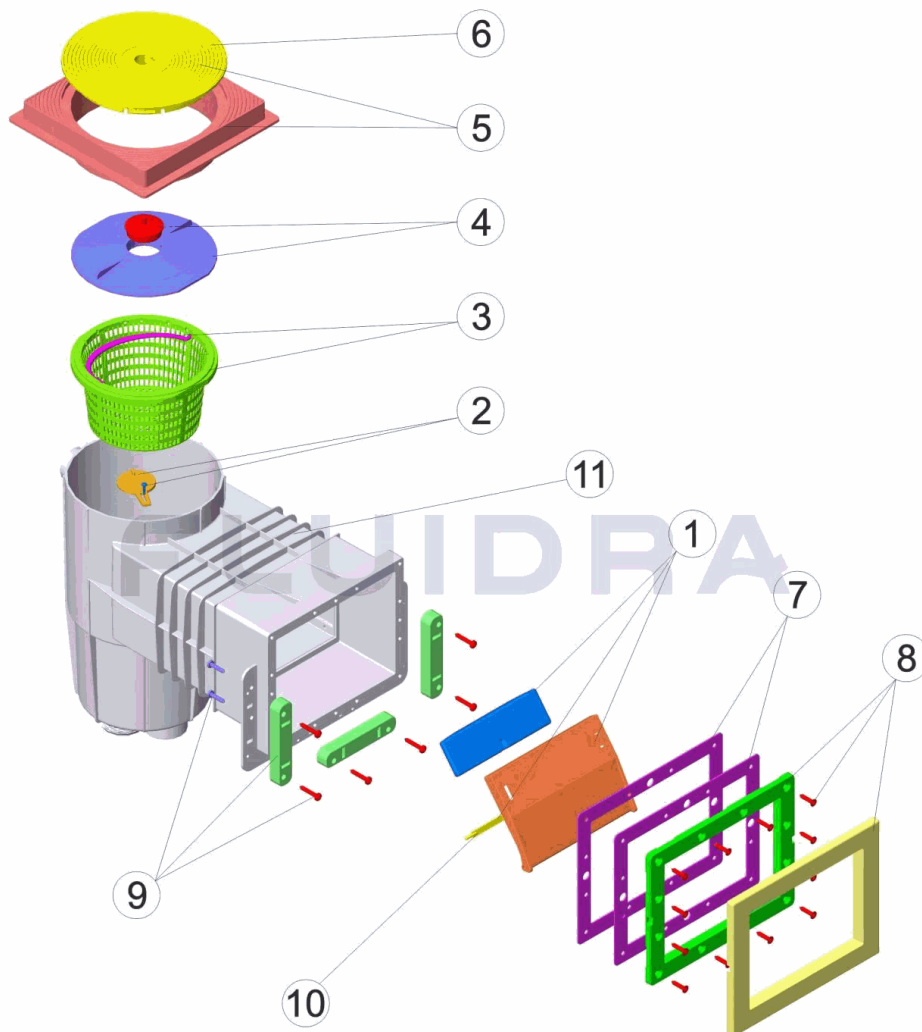


DEUTSCH

POS	CODE	BESCHREIBUNG	MENGE	POS	CODE	BESCHREIBUNG	MENGE
1	4402010101	SKIMMERKLAPPE SCHARNIER		7	4402011611	DICHTUNG SKIMMER KLEIN FERTIGBECKI	
2	4402010102	SKIMMERKLAPPE		8	4402011612	KLEINER SKIMMERRAHMEN FERTIGBECK	
3	4402010103	SKIMMERKORB		9	4402011613	ZWISCHENSTÜCKE SKIMMEREINLASS	
4	4402010104	ABDECKUNG SKIMMKORB MIT STOPFEN		10	4402010110	SCHARNIER KLAPPE	
5	4402010106	ABDECKUNG UND RING SKIMMER QUADRA'		11	32376R0100	SET GEHÄUSE 15 L KLEIN PLATTEN	
6	4402010108	ABDECKUNG RUND SKIMMER					

CODIGO **32378**

DESCRIÇÃO: **SKIMMER 15 L P. PAINÉIS B. PEQ. T. QUADRADA**



PORTUGUES

POS	CODIGO	DESCRIÇÃO	QUANTIDADE	POS	CODIGO	DESCRIÇÃO	QUANTIDADE
1	4402010101	COMPORTA SKIMMER BISAGRA		7	4402011611	JUNTA PEQUENA SKIMMER P.P.	
2	4402010102	CLAPETA SKIMMER		8	4402011612	CAIXILHO BOCA SKIMMER P.P.	
3	4402010103	CESTO SKIMMER		9	4402011613	TACO DE ENCHIMENTO PARA BOCA SKIM	
4	4402010104	TAMPA CESTO SKIMMER		10	4402010110	DOBRADIÇA COMPORTA	
5	4402010106	TAMPA E ARO QUADRADO SKIMMER		11	32376R0100	CONJ. CORPO 15L B. PEQUENA PAINÉIS	
6	4402010108	TAMPA CIRCULAR SKIMMER					